



# Ballscrew

Technical Information





## Semiconductor Subsystem

- Semiconductor/LED/Panel
- EFEM (Equipment Front End Module)
  - Wafer Robot
  - Load Port
  - Wafer Aligner



## Multi-Axis Robot

- Pick-and-Place / Assembly / Array and Packaging / Semiconductor / Electro-Optical Industry / Automotive Industry / Food Industry
- Articulated Robot
  - SCARA Robot
  - Electric Gripper
  - Integrated Electric Gripper



## Single-Axis Robot

- Precision / Semiconductor / Medical / FPD
- KK, SK
  - KS, KA
  - KU, KE, KC



## Torque Motor Rotary Table

- Medical / Automotive Industry / Machine Tools / Machinery Industry
- RAB Series
  - RAS Series
  - RCV Series
  - RCH Series



## Ball screw

- Precision Ground / Rolled
- Super S Series
  - Super T Series
  - Mini Roller
  - Ecological & Economical Lubrication Module E2
  - Rotating Nut (R1)
  - Energy-Saving & Thermal-Controlling (Cool Type)
  - Heavy Load Series (RD)
  - Ball Spline



## Linear Guideway

- Automation / Semiconductor / Medical
- Ball Type--HG, EG, WE, MG, CG
  - Quiet Type--QH, QE, QW, QR
  - Other--RG, E2, PG, SE, RC



## Bearing

- Machine Tools / Robot
- Crossed Roller Bearing
  - Ballscrew Bearing
  - Support Unit



## DATORKER® Strain Wave Gear

- Robot / Automation Equipment / Semiconductor Equipment / Machine Tools
- DSC Type
  - DSH Type
  - DGC Type
  - DGH Type
  - DLC Type



## AC Servo Motor & Drive

- Semiconductor / Packaging Machine / SMT / Food Industry / LCD
- Drives--D1, D2T/D2T-LM, E1
  - Motors--FR, E1



## Medical Equipment

- Hospital / Rehabilitation Centers / Nursing Homes
- Robotic Gait Training System
  - Robotic Endoscope Holder



## Linear Motor Stage

- Automated Transport / AOI Application / Precision / Semiconductor
- Iron-core Linear Motor
  - Coreless Linear Motor
  - Linear Turbo Motor LMT
  - Planar Servo Motor
  - Air Bearing Platform
  - X-Y Stage • Gantry Systems
  - Single-Axis Linear Motor Stage



## Torque Motor & Direct Drive Motor

- Machine Tools
- Torque Motor--TM-2/IM-2, TMRW Series
- Inspection / Testing Equipment / Robot
- Direct Drive Motor--DMS, DMY, DMN, DMT Series

# Ballscrew

## Technical Information Index

<b>1. Introduction</b> .....	1
<b>2. Features &amp; Applications</b> .....	1
2.1 Features .....	1
2.2 Applications .....	4
<b>3. Classification of Standard Ballscrew</b> .....	5
3.1 Standard Ballscrew Spindle .....	5
3.2 Nut Configuration .....	5
3.3 Spindle End & Journal Configuration .....	9
<b>4. Design &amp; Selection of HIWIN Ballscrew</b> .....	11
4.1 Fundamental Concepts for Selection & Installation .....	11
4.2 Ballscrews Selection Procedure .....	14
4.3 Accuracy Grade of Ballscrews .....	14
4.4 Preload Methods .....	21
4.5 Calculation Formulas .....	24
4.6 Temperature Increase Effect on Ballscrews .....	37
<b>5. Specification Illustration</b> .....	39
<b>6. Precision Ground Ballscrews</b> .....	40
6.1 Ground Ballscrew Series .....	40
6.2 Dimensions for Precision Ground Ballscrews .....	42
6.3 Miniature Ground Ballscrews .....	88
6.4 End Machining Ground Ballscrew Series .....	104
6.5 High Lead Ground Ballscrews .....	143
6.6 Ultra High Lead Ground Ballscrews .....	149
<b>7. Rolled Ballscrews</b> .....	152
7.1 Introduction .....	152
7.2 Precision Rolled Ballscrews .....	152
7.3 General Type of Rolled Ballscrews .....	154
7.4 Dimensions for Rolled Ballscrews .....	155
7.5 Dimensions for DIN Rolled Ballscrews .....	166

<b>8. Composite Ball Screw</b> .....	169
8.1 E2 Self-lubricant .....	169
8.2 EL Auxiliary Lubrication Module .....	174
8.3 Rotating Nut .....	175
8.4 Heavy Load Ballscrew HL Series .....	178
8.5 Cool Type .....	186
8.6 Dust-Proof Type.....	190
8.7 Ballscrew Retrofit Kits for Manual Milling Machine .....	193
<b>9. HIWIN GREASE</b> .....	195
9.1 HIWIN G01 Heavy-load Grease .....	195
9.2 HIWIN G02 Low Particle-emitting Grease .....	196
9.3 HIWIN G03 Low Particle-emitting (High Speed) Grease .....	197
9.4 HIWIN G04 High Speed Grease .....	198
9.5 HIWIN G05 General Type Grease .....	199
9.6 HIWIN G06 High Frequency or Short-stroke Condition Grease .....	200
9.7 HIWIN G07 Low Temperature Condition Grease .....	200

## **Supplement Information**

A. Ballscrew Failure Analysis .....	201
A1 Preface .....	201
A2 Causes and Precautions for Ballscrew Problems .....	201
A3 Locating the Cause of Abnormal Backlash .....	204
B. Standard Housing Dimension Tolerance .....	205
C. Stand Spindle Dimension Tolerance .....	206
D. HIWIN Ballscrew Inquiry (1/2) .....	207
E. HIWIN Ballscrew Inquiry (2/2) .....	208
F. HIWIN Ballscrew Inquiry Sample (1/2) .....	209
G. HIWIN Ballscrew Inquiry Sample (2/2) .....	210
H. HIWIN Heavy Load Ballscrew Data Inquiry (1/2) .....	211
I. HIWIN Heavy Load Ballscrew Data Inquiry (2/2) .....	212
J. HIWIN Heavy Load Ballscrew Data Inquiry Sample (1/2) .....	213
K. HIWIN Heavy Load Ballscrew Data Inquiry Sample (2/2) .....	214

(The specifications in this catalogue are subject to change without notification.)

# 1. Introduction

Ballscrews, also called a ball bearing screws, recirculating ballscrews, etc., consist of a screw spindle and a nut integrated with balls and the balls' return mechanism, return tubes or return caps. Ballscrews are the most common type of screws used in industrial machinery and precision machines. The primary function of a ballscrew is to convert rotary motion to linear motion or torque to thrust, and vice versa, with the features of high accuracy, reversibility and efficiency. HIWIN provides a wide range of ballscrews to satisfy your special requirements.

The combination of state-of-the-art machining technology, manufacturing experiences, and engineering expertise makes HIWIN ballscrew users "High-Tech Winners". HIWIN uses precise procedures to create exact groove profiles, either by grinding or precision rolling. Accurate heat treatment is also used to ensure the hardness of our ballscrews. These result in maximum load capacity and service life.

HIWIN precision ballscrews provide the most smooth and accurate movement, together with low drive torque, high stiffness and quiet motion with predictable lengthened service life. HIWIN rolled ballscrews also provide smooth movement and long life for general applications with less precision in lower price. HIWIN has modern facilities, highly skilled engineers, quality manufacturing and assembly processes, and uses quality materials to meet your special requirements.

It is our pleasure to provide you with the technical information and selection procedure to choose the right ballscrews for your applications through this catalogue.

# 2. Features & Applications

## 2.1 Features

There are many benefits in using HIWIN ballscrews, such as high efficiency and reversibility, backlash elimination, high stiffness, high lead accuracy, and many other advantages. Compared with the contact thread lead screws as shown in (Fig. 2.1), a ballscrew adds balls between the nut and spindle. The sliding friction of the conventional screw is thus replaced by the rolling motion of the balls. The basic characteristics and resultant benefits of HIWIN ballscrews are listed in more details as follows:

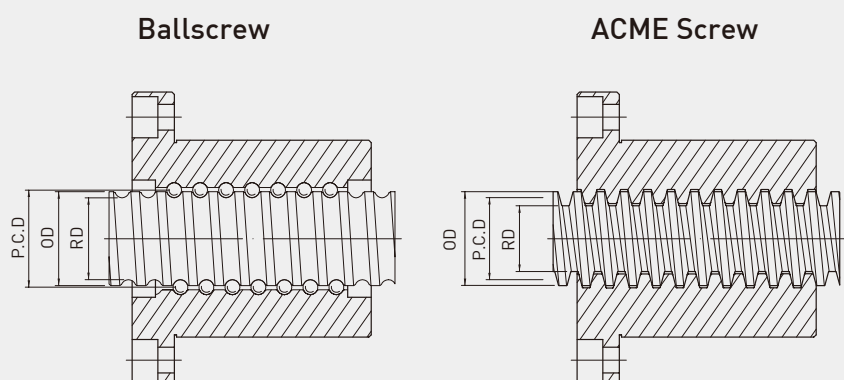


Fig 2.1 Basic configuration of ballscrews and contact thread lead screws

### (1) High efficiency and reversibility

Ballscrews can reach an efficiency as high as 90% because of the rolling contact between the screw and the nut. Therefore, the torque requirement is approximately one third of that of conventional screws. It can be seen from Fig. 2.2 that the mechanical efficiency of ball screws are much higher than conventional lead screws.

HIWIN ballscrews have super surface finish in the ball tracks which reduce the contact friction between the balls and the ball tracks. Through even contact and the rolling motion of the balls in the ball tracks, a low friction force is achieved and the efficiency of the ballscrew is increased. High efficiency renders low drive torque during ballscrew motion. Hence, less drive motor power is needed in operation resulting in lower operation cost.

HIWIN uses a series of test equipment and testing procedures to guarantee the efficiency.

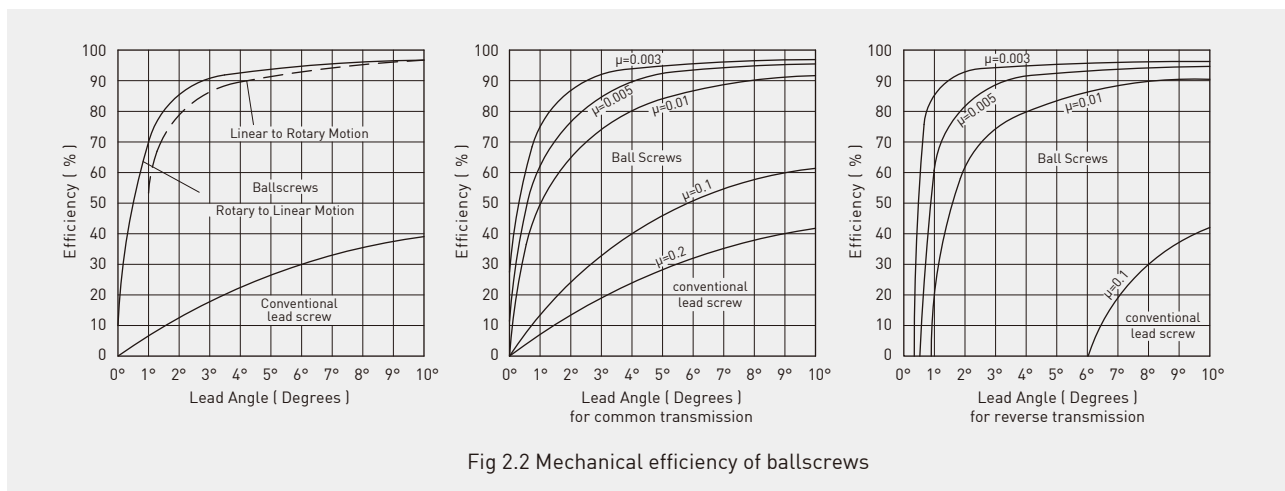


Fig 2.2 Mechanical efficiency of ballscrews

### (2) Backlash elimination and high stiffness

Computer Numerically Controlled (CNC) machine tools require ballscrews with zero axial backlash and minimal elastic deformation (high stiffness). Backlash is eliminated by our special designed Gothic arch form balltrack (Fig. 2.3) and preload.

In order to achieve high overall stiffness and repeatable positioning in CNC machines, preloading of the ballscrews is commonly used. However, excessive preload increases friction torque in operation. This induced friction torque will generate heat and reduce the life expectancy. With our special design and fabrication process, we provide optimized ballscrews with no backlash and less heat losses for your application.

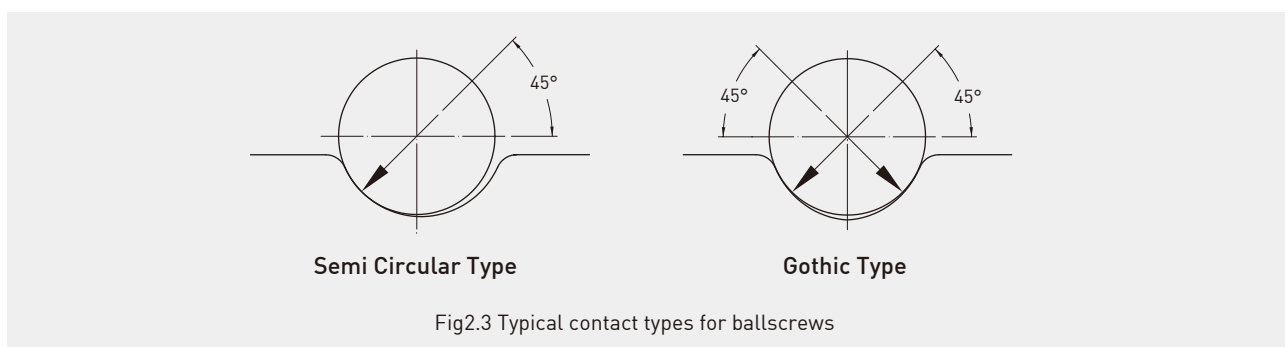


Fig2.3 Typical contact types for ballscrews

### (3) High lead accuracy

For applications where high accuracy is required, HIWIN modern facilities permit the achievement of ISO, JIS and DIN standards or specific customer requirements.

This accuracy is guaranteed by our precise laser measurement equipment and reported to each customer.

### (4) Predictable life expectancy

Unlike the useful life of conventional screws which is governed by the wear on the contact surfaces, HIWIN's ballscrews can usually be used until the metal fatigues. By careful attention to design, quality of materials, heat treatment and manufacture, HIWIN's ballscrews have proved to be reliable and trouble free during the period of expected service

life. The life achieved by any ballscrew depends upon several factors including design, quality, maintenance, and the major factor, dynamic axial load (C).

Profile accuracy, material characteristics and the surface hardness are the basic factors which influence the dynamic axial load.

It is recommended that the life at average axial load should be a minimum of  $1 \times 10^6$  revs). High quality ballscrews are designed to conform with the B rating (i.e. 90% probability of achieving the design life). Fifty percent of the ballscrews can exceed 2 to 4 times of the design life.

### (5) Low starting torque and smooth running

Due to metal to metal contact, conventional contact thread lead screws require high starting force to overcome the starting friction. However, due to rolling ball contact, ballscrews need only a small starting force to overcome their starting friction.

HIWIN uses a special design factor in the balltrack (conformance factor) and manufacturing technique to achieve a true balltrack. This guarantees the required motor torque to stay in the specified torque range.

HIWIN has special balltrack profile tracing equipment to check each balltrack profile during the manufacturing process. A sample trace is shown in Fig. 2.4.

HIWIN also uses computer measurement equipment to accurately measure the friction torque of ballscrews. A typical distance-torque diagram is shown in Fig. 2.5.

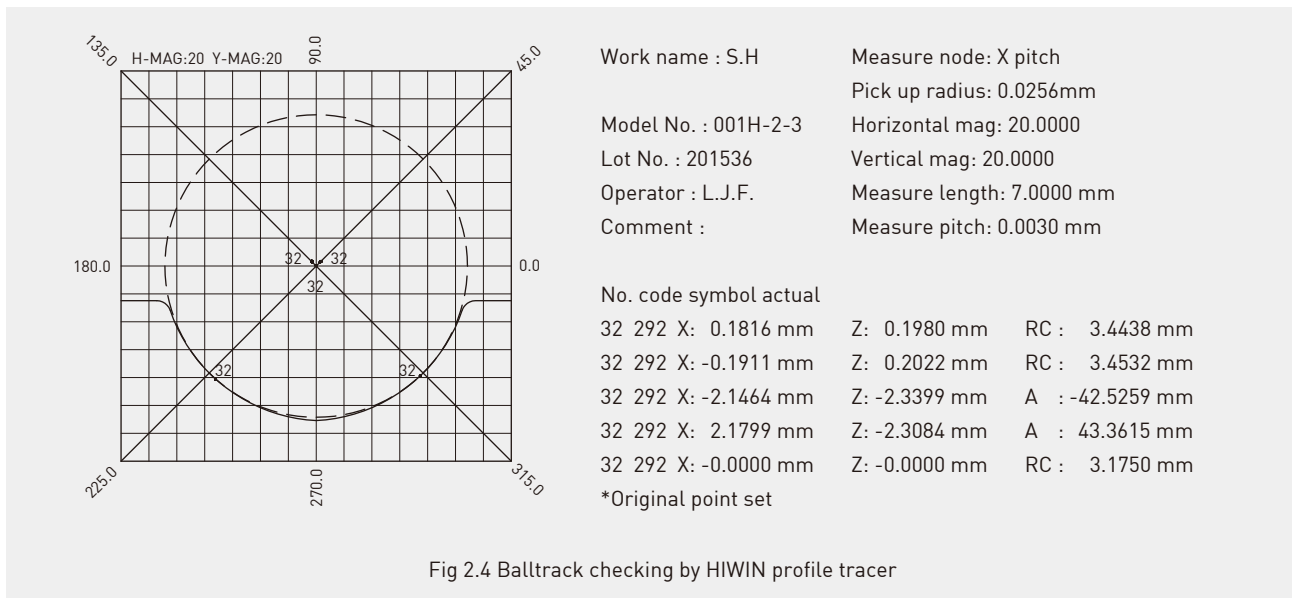


Fig 2.4 Balltrack checking by HIWIN profile tracer

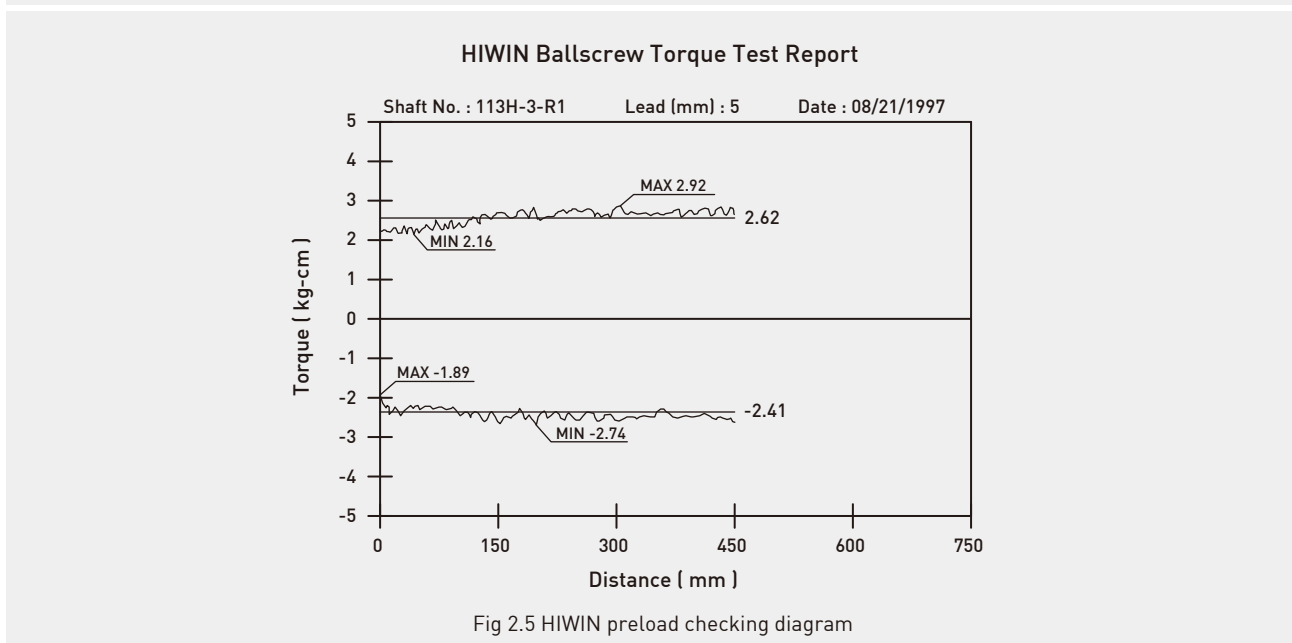


Fig 2.5 HIWIN preload checking diagram

## (6) Quietness

High quality machine tools require low noise during fast feeding and heavy load conditions.

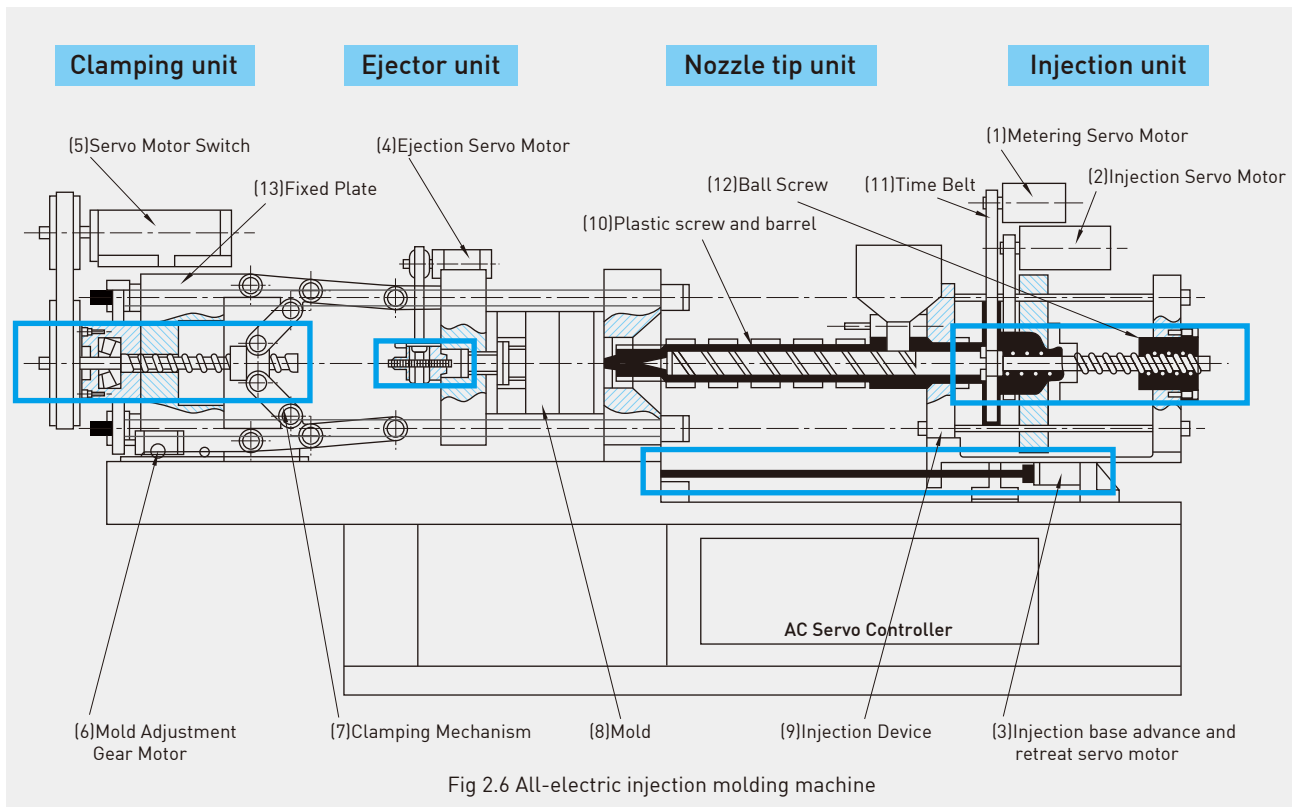
HIWIN achieves this by virtue of its return system, balltrack designs, assembly technique, and careful control of surface finish and dimensions.

## (7) Short lead time

HIWIN has a fast production line and can stock ballscrews to meet short lead times.

## (8) Advantages over hydraulic and pneumatic actuators

The ballscrew used in an actuator to replace the traditional hydraulic or pneumatic actuator has many advantages, i.e. fast response, no leakage, no filtering, energy savings and good repeatability.



## 2.2 Applications

HIWIN ballscrews are used in the following fields and the recommended application grade can be found in Table 4.5.

1. **CNC machinery** : CNC machine center, CNC lathe, CNC milling machine, CNC EDM, CNC grinder, wire cutting machine, boring machine, etc.
2. **Precision machine tools** : Milling machine, grinder, EDM, tool grinder, gear manufacturing machine, drilling machine, planer, etc.
3. **Industrial machinery** : Printing machine, paper-processing machine, automatic machine, textile machine, drawing machine, special purpose machine, injection molding machine, etc.
4. **Electronic machinery** : Robot measuring instrument, X-Y table, medical equipment, surface mounting device, semi-conductor equipment, factory automation equipment, etc.
5. **Transport machinery** : Material handling equipment, elevated actuator, etc.
6. **Aircraft industry** : Aircraft flaps, thrust open-close reverser, airport loading equipment, fin actuator, etc.
7. **Miscellaneous** : Antenna leg actuator, valve operator, etc.



## 3. Classification of Standard Ballscrews

### 3.1 Standard Ballscrew Spindle

HIWIN recommends our standard regular ballscrews for your design. However, high lead, miniature or other special types of ballscrews, may also be available upon your request. Table 3.1 shows the standard ballscrew spindles that are available.

### 3.2 Nut Configuration

The circuiting systems of the nut of a HIWIN ball screw can be divided into: Super S, Super T, Super Z, external circuit, internal circuit, and end caps. The features of these types are specified below.

#### 3.2.1 Type of return tube design

##### (1) Super S Series

###### a. application

CNC Machinery, Industrial Machinery, Electronic Machinery, Precision Machine and other High Speed Machinery.

###### b. features

###### (a)Low noise [5~7dB lower than traditional series]:

Return unit can absorb noises caused by the impact of the steel balls, thus greatly reducing noise intensity.

###### (b)Space-saving and weight-lightening design:

The ballnut diameter is 18%~32% smaller than traditional series.

###### (c)Dm-N value up to 220,000:

The return unit can improve the strength of the return structure, achieving a Dm-N value of up to 220,000.

###### (d)High acceleration and deceleration velocity:

The pathway of the specialized return unit, as well as the ballnut's strengthened design diminish the impact experienced by the balls, So, it can sustain peak performance in more rigorous operating environments, such as high acceleration and deceleration.

###### (e)Accuracy grade:

Precision ground ballscrews available in JIS Grade C0~C7; Rolled ballscrews available in JIS Grade C6~C10.

###### c. performance

Specification: 2R40 - 40K4 - DFSC - 1200 - 1600 - 0.008

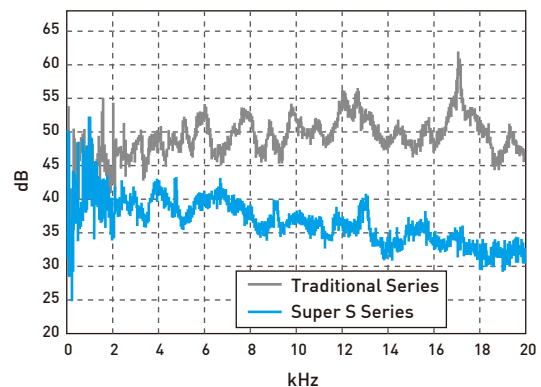
Lead: 40 mm

Acceleration: 1g (9.8m/sec<sup>2</sup>)

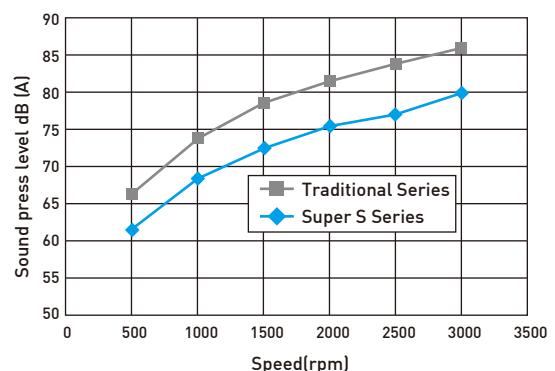
Dm-N Value: 120,000

###### d. pattern nomenclature

Ex: R40-10K4-FSC-1200-1600-0.008

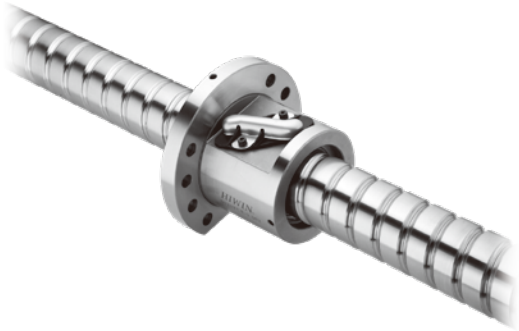


Noise Frequency Analysis



Speed(rpm)

(2) Super T Series

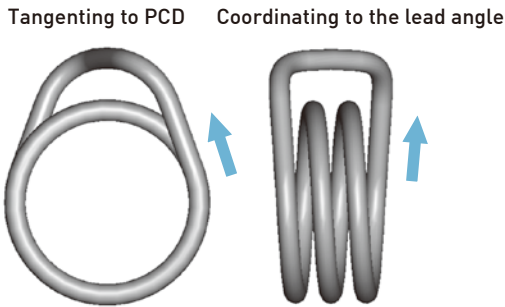


a. application

CNC machinery, precision machine tools, industrial machinery, electrical machinery, high speed machinery.

b. design principles:

Optimal design of the recirculation path can reduce noise generated by impact of balls to reduce noise level. (Note: the DN value should be defined by ball diameters and using conditions)



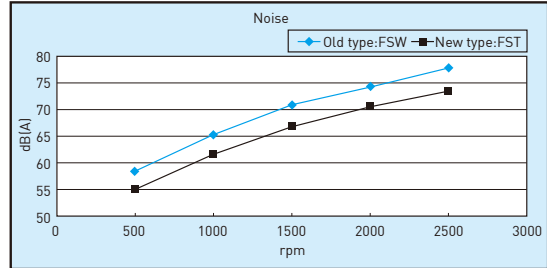
(3) Super Z Series



c. features

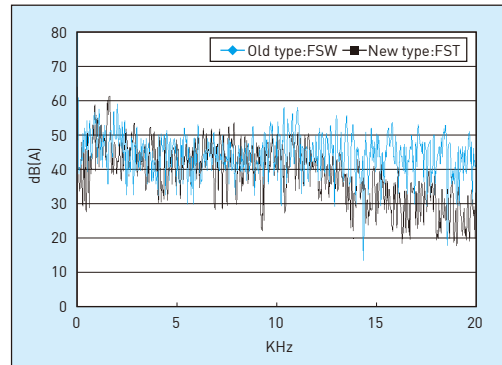
(a) Low noise (lower 3~5dB than general series)

Finest design of recirculation can absorb noise from the impact of balls to reduce noise level.



(b) Qualified tone

Super T recirculating components not only can reduce the sound pressure level, but also efficiently lower the middle and high frequency range better than conventional ballscrews, producing no shrill fricative and better sound quality.



(c) Low vibration and smooth operation

The tangent recirculation substantially reduces impact force of running balls and the resistance of guiding balls, so the vibration of the nut is gentler and the rotation is smoother and more stable.

a. application

Miniature Ballscrew is suitable for outer diameter smaller than 20.

The suitable application is :

Semiconductor / Inspection machine / Medical equipment / LCD / Robot / SPM / Special environment machine / Electric machine

b. features:

- (a) Long Service Life: Dynamic loading 20~30% higher
- (b) Compact Design: Nut diameter 15~30% smaller
- (c) Smooth: Drag torque variation 20~30% lower
- (d) High Speed & High Acceleration/Deceleration: Dm-N value 160,000. MAX. acceleration 1.5G
- (e) Accuracy: C0~C10

c. performance

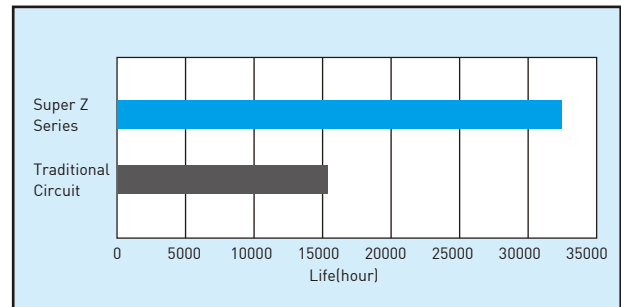
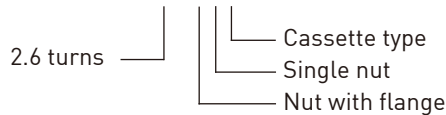
Specification: R12-5B1-FSZ-480-560-0.018

Lead: 5 mm

Acceleration: 0.4G

d. pattern nomenclature

Ex: R12-5B1-FSZ-480-560-0.018



(4) External recirculation type

a. structure

The first, called the external recirculation type ballscrew, consists of the screw shaft, the ball nut, the steel balls, the return tubes and the fixing plate. The steel balls are introduced into the space between the screw shaft and the ball nut. The balls are diverted from the ball tracks and carried back by the ball guide return tube form a loop. Since the return tubes are located outside the nut body, this type is called the external recirculation type ball screw Fig. 3.1.

b. features

- (a) Adapted to wide kinds of shaft diameters and leads of ballscrew
- (b) Complete specifications



Fig. 3.1 External recirculation type nut with return tubes

(5) Internal recirculation type

a. structure

The second design, called the internal recirculation type ballscrew, consists of the screw spindle, the ball nut, the steel balls and the ball return caps. The steel balls make only one revolution around the screw spindle. The circuit is closed by a ball return cap in the nut allowing the balls to cross over adjacent ball tracks. Since the ball return caps are located inside the nut body, this is called the internal recirculation type ballscrew Fig. 3.2.

b. features

- (a) Adapted to normal leads
- (b) Outer diameter of nut is small



Fig. 3.2 Internal recirculation type nut with return caps

(6) Endcap recirculation type

a. structure

The third design is called endcap recirculation type ball screw Fig. 3.3. The basic design of this return system is the same as the external recirculation type nut Fig. 3.5 except that the return tube is made inside the nut body as a through hole. The balls in this design traverse the whole circuit of the ball tracks within the nut length. Therefore, a short nut with the same load capacity as the conventional design can be used.

b. features

- (a) Adapted to high lead
- (b) Outer diameter of nut is middle
- (c) Single nut only



Fig. 3.3 Endcap recirculation type nut with return system

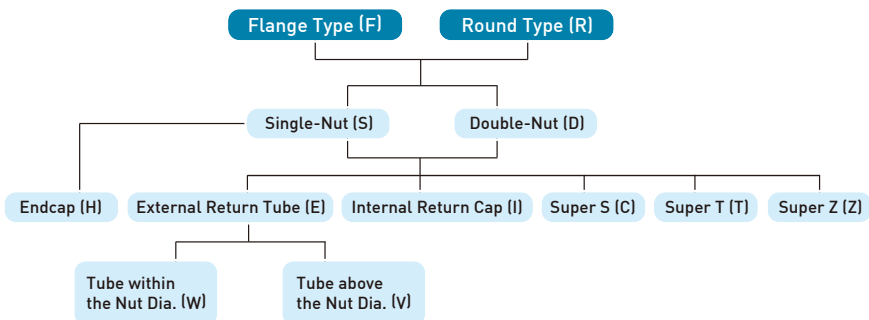
Table 3.1: The comparison chart of ball screw diameter vs lead and recirculation

lead dia	1	1.5	2	2.5	3	3.175	3.5	4	4.23	5	5.08	6	6.35	8	10	12	12.7	15	16	20	24	25	25.4	28	30	32	35	36	40	50	60	64	80		
6	I	I	I																																
8	I	I	I	I	I,T			I		T																									
10	I	I	I	E,I	I			E,I		E,I		E		E	E,H																				
12	I	I	I	I	E,I			E,I		E,I		E,T		E	E,S	E,H					E,H														
14	I		I	I	I			E,I		E,I	E,I	E		E	E,H																				
15			I					I		I					E,S						E,H										H,T				
16	I	I	I	E,I	E,I			E,I		E,I	E,I	E,I		E,I	E,H		E			E,H											H				
18				I				I		I					S,T																				
20			I	E,I	E,I			E,I		E,I	E,I	E,I		E,I	E,I	E	E	E	E	E	E,H										H,S				
22										E	E				E	E																			
25			I	E,I				E,I		E,I	E,I	E,I		E,I	E,I	E,I	E	I,S		E,S	E,H		E,H									H			
28								E,I	E,I	E,I	E,I			E	E,I	E,I	E,I		E	E,S															
30							E			E,I					I	I					E	S													
32			I	E,I	I	E,I	I	E,I		E,I	E,I	E,I		E,I	E,I	E,I	E,I	E,I	E,I	E,I	E,I	E,I		E,S					E,S				H		
36								E		E,I		E,I		E,I	E,I	E,I	E			E,S	E,S		E,S							E,S					
38										I	E,I			E	S	I,S	E,S		S	S	S	S	E,I	E,S	E							S,H			
40			I	I				I		E,I	E,I	E,I		E,I	E,I	E,I	E,I	E,I	E,I	E,I	E,I	E,I		E,I				S	E			E,S		E	S
45								I		E,I	E	E,I	I		E,I	E,I	E,I	E		E,I	E,I		E,S										S		
50								E		E,I	E,I	E,I	E,I		E,I	E,I	E,I	I	I,S		E,I	E,I		E,S		S		E,I	E	S		E,S	E,S		
55											E,I	S	I		E,I	E,I	T	S		E,I	E,S		T				E						H		
63										I	I	I	E,I		E,I	E,I	E,I	E,I		E,I	E,I	E,I		E,S			E,I	E,S				E,S	E,S		
70															E	E,I	E,I		E		E,I	E,I		E					E,T			E			
80										I		I			I	E,I	E,I				E,I	E,I		E,T		E,I		E,I				E,I	E,S		
100															E,I	E,I	I				E,I	S		E				E				E		E	
120																					I	I,S		E,S		E									
125																						I						E							

Note: E : External recirculation I : Internal recirculation S : Super S H : End Cap T : Super T

### 3.2.2 Type of nuts

The type of nuts to select depends on the application requirements. HIWIN standard nuts are classified by three letters as follows (see also Chapter 5 for details):



### 3.2.3 Number of circuits

The HIWIN nomenclature for the number of circuits in the ballnut is described as follows:

External type design:	Internal type design:	End cap type design:	Super S Series:	Super T Series:	Super Z Series:
A : 1.5 turns	T : 1.0 turn	V : 0.8 turns	K : 1 turn	A : 1.6 turns	A : 1.6 turns
B : 2.5 turns		(extra high lead)		B : 2.6 turns	B : 2.6 turns
C : 3.5 turns		S : 1.8 turns		C : 3.6 turns	C : 3.6 turns
D : 4.5 turns		(super high lead)			
E : 5.5 turns		U : 2.8 turns (high lead)			

Example :

B2 : designates 2 external return tube ball circuits. Each circuit has 2.5 turns.

T3 : designates 3 internal return ball circuits. Each circuit has a maximum of 1 turn.

S4 : designates 4 internal return ball circuits. Each circuit has 1.8 turns.

## 3.3 Spindle End and Journal Configuration

### Mounting methods

Bearing mounting methods on the end journals of ballscrews are crucial for stiffness, critical speed and column buckling load. Careful consideration is required when designing the mounting method. The basic mounting configuration are shown as follows Fig. 3.4.

### Spindle end journal configurations

The most popular journal configurations are shown in Fig. 3.5.

Table 3.2 lists the recommended dimensions and the bearings for the configurations of Fig. 3.5.

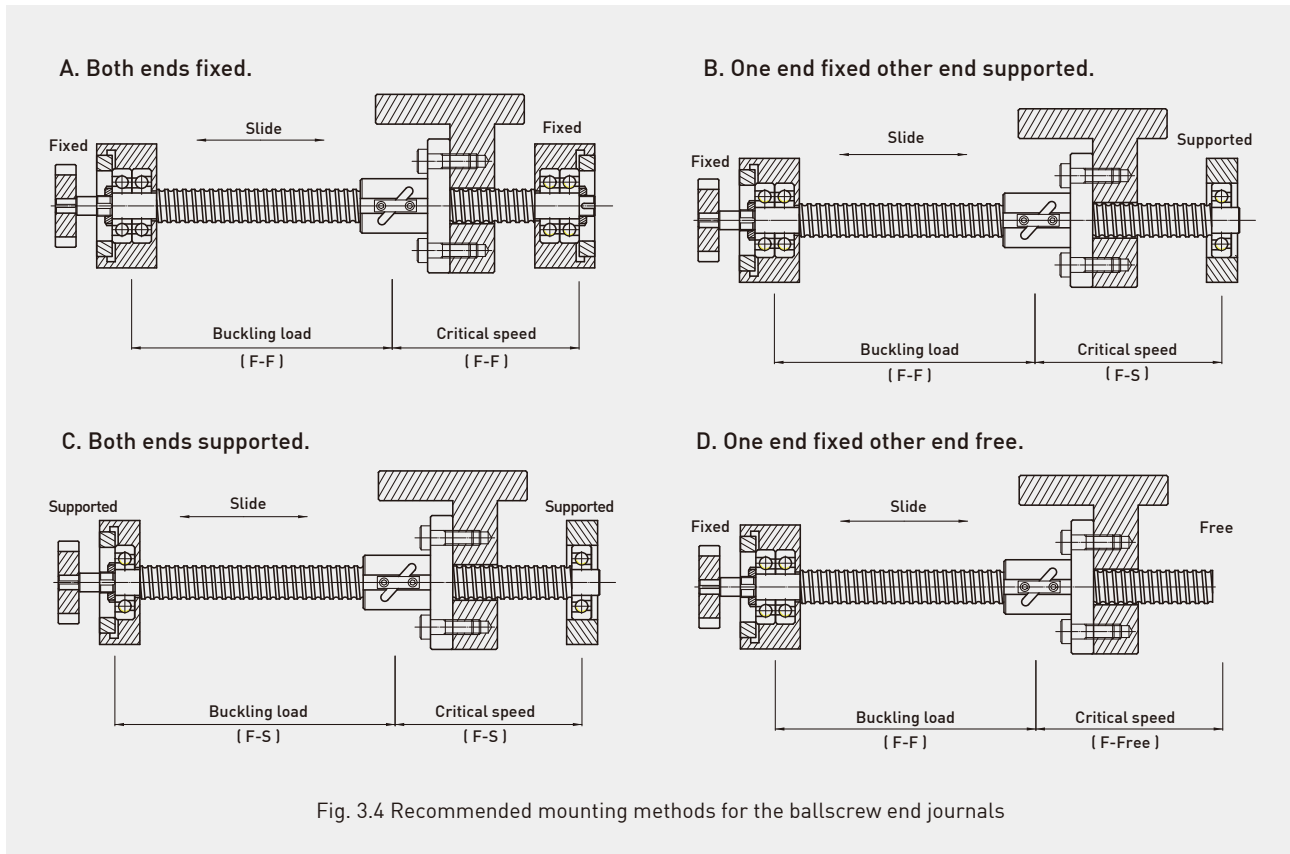


Fig. 3.4 Recommended mounting methods for the ballscrew end journals

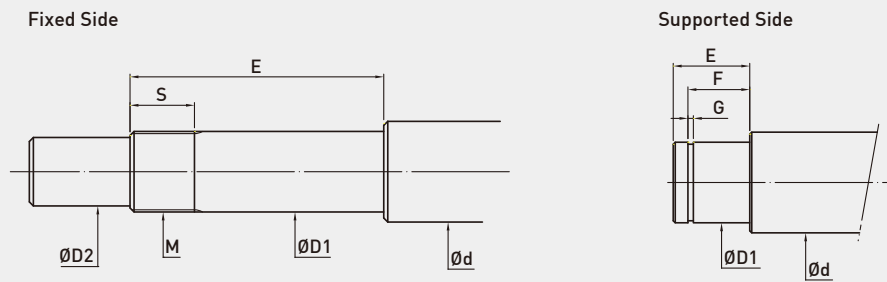


Fig. 3.5 Configurations of spindle ends

Table 3.2: Dimension for spindle ends

Fixed Side											
Specification						Main Dimensions (mm)					
AK	BK	EK	FK	LK	WBK	d	D1	D2	E	M	S
-	-	EK05	FK05	-	-	8	5	4	23	M5x0.5P	7
-	-	EK06	FK06	-	-	8	6	4	28	M6x0.75P	8
-	-	EK08	FK08	LK08	-	10-12	8	6	32	M8x1P	10
AK10	BK10	EK10	FK10	LK10	-	10-15	10	8	36	M10x1P	12
AK12	BK12	EK12	FK12	LK12	-	14-18	12	10	36	M12x1P	12
AK15	-	EK15	FK15	LK15	-	20	15	12	48	M15x1P	13
-	BK15	-	-	-	-	20	15	12	40	M15x1P	12
-	-	-	-	-	WBK15DF	20	15	12	81	M15x1P	23
-	BK17	-	-	-	-	25-28	17	15	53	M17x1P	17
-	-	-	FK17	-	-	25-28	17	15	59	M17x1P	17
-	-	-	-	-	WBK 17DF	25-28	17	15	81	M17x1P	23
AK20	-	EK20	FK20	-	-	25-28	20	17	64	M20x1P	16
-	BK20	-	-	-	-	25-28	20	17	53	M20x1P	15
-	-	-	-	-	WBK 20DF	25-28	20	17	81	M20x1P	23
AK25	-	-	FK25	-	-	30-36	25	20	76	M25x1.5P	20
-	BK25	-	-	-	-	30-36	25	20	66	M25x1.5P	20
-	-	-	-	-	WBK 25DF	30-36	25	20	89	M25x1.5P	26
-	BK30	-	FK30	-	-	40	30	25	73	M30x1.5P	25
-	BK35	-	-	-	-	45	35	30	82	M35x1.5P	26
-	BK40	-	-	-	-	50	40	35	94	M40x1.5P	30

Supported Side									
Specification					Main Dimensions (mm)				
AF	BF	EF	FF	LF	d	D1	E	F	G
-	-	EF06	FF06	-	8	6	9	6.8	0.8
-	-	EF08	-	LF08	10-12	6	9	6.8	0.8
AF10	BF10	EF10	FF10	-	10-15	8	10	7.9	0.9
AF12	BF12	EF12	FF12	LF12	14-18	10	11	9.15	1.15
AF15	BF15	EF15	FF15	LF15	20	15	13	10.15	1.15
-	BF17	-	FF17	-	25-28	17	16	13.15	1.15
AF20	-	EF20	FF20	-	25-28	20	19	15.35	1.35
-	BF20	-	-	-	25-28	20	16	13.35	1.35
AF25	BF25	-	FF25	-	30-36	25	20	16.35	1.35
-	BF30	-	FF30	-	40	30	21	17.75	1.75
-	BF35	-	-	-	45	35	22	18.75	1.75
-	BF40	-	-	-	50	40	23	19.95	1.95

Note: Ballscrew support unit detail please refer to HIWIN catalogue of ballscrew support unit.

## 4. Design and Selection of HIWIN Ballscrews

### 4.1 Fundamental Concepts for Selection & Installation

(1) A ballscrew must be thoroughly cleaned in white spirit and oil to protect against corrosion. Trichloroethylene is an acceptable degreasing agent, ensuring the ball track free from dirt and damage (paraffin is not satisfactory). Great care must be taken to ensure that the ball track is not struck by a sharp edged component or tool, and metallic debris does not enter the ball nut (Fig. 4.1).

(2) Select a suitable grade ballscrew for the application (ref. Table 4.5). Install with corresponding mounting disciplines. That is, precision ground ballscrews for CNC machine tools demand accurate alignment and precision bearing arrangement, where the rolled ballscrews for less precision applications, such as packaging machinery, require less precise support bearing arrangement.

It is especially important to eliminate misalignment between the bearing housing center and the ballnut center, which would result in unbalanced loads (Fig. 4.3). Unbalanced loads include radial loads and moment loads (Fig. 4.3a). These can cause malfunction and reduce service life (Fig.4.3b).

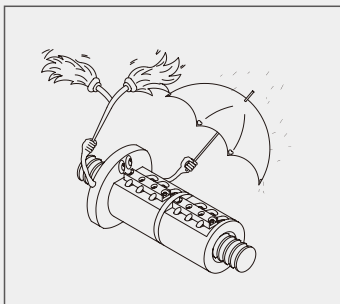


Fig 4.1 Carefully clean and protect

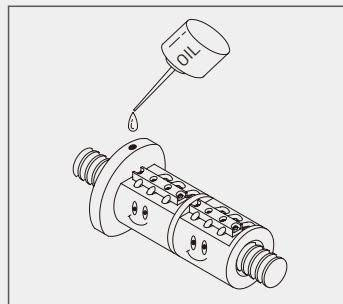


Fig 4.2 Oil lubrication method.

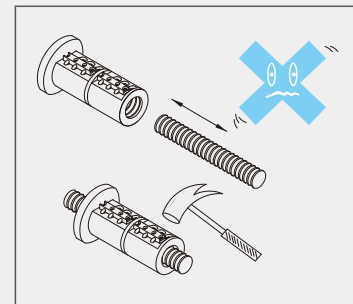


Fig 4.3 Carefully protect the nut

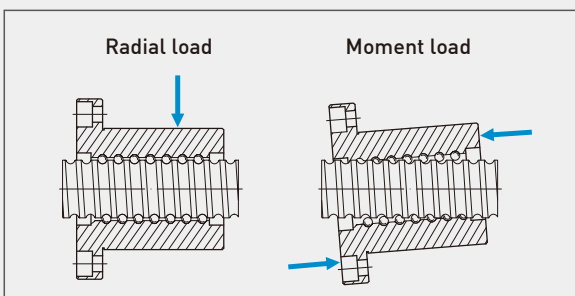


Fig 4.3(a) Unbalance load caused by misalignment of the support bearings and nut brackets, inaccurate alignment of the guide surface, inaccurate angle or alignment of the nut mounting surface

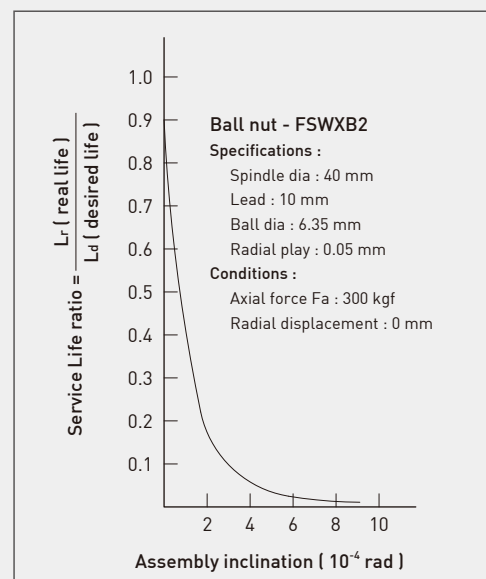
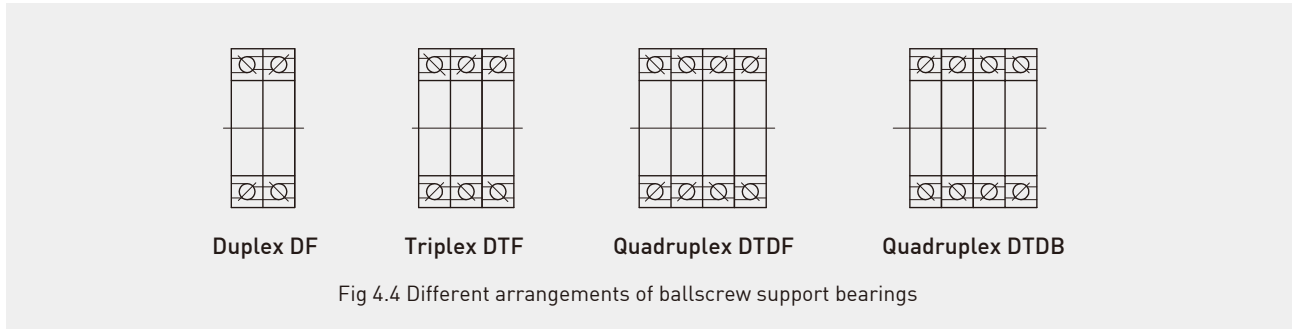
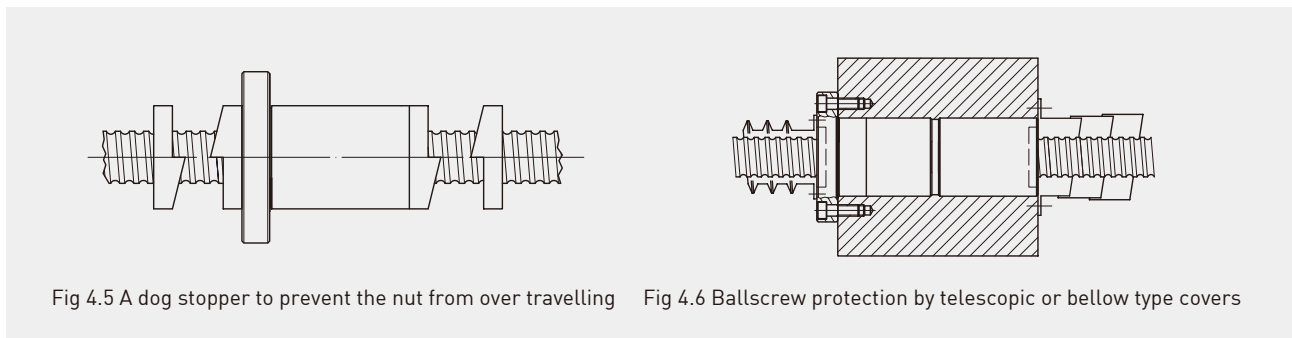


Fig 4.3(b) The effect on service life of a radial load caused by misalignment

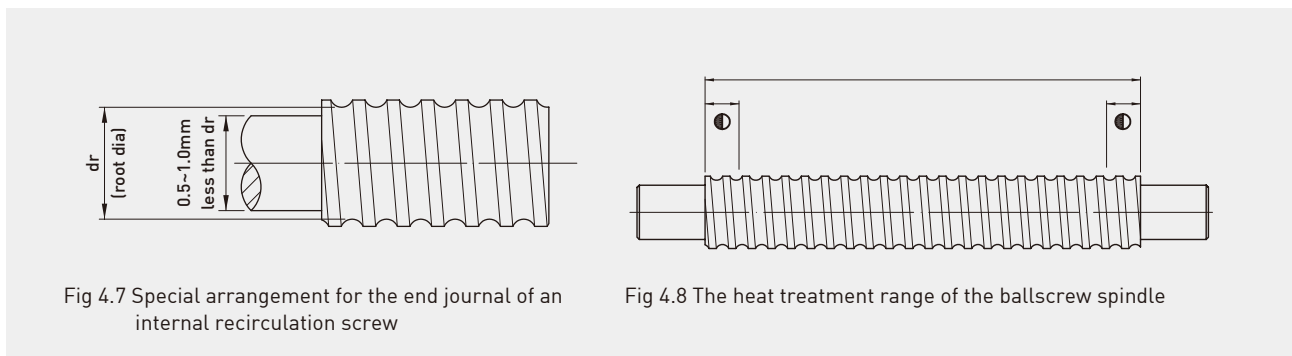
- (3) To achieve the ballscrews' maximum life, the use of antifriction bearing oil is recommended. Oil with graphite and MoS<sub>2</sub> additives must not be used. The oil should be maintained over the balls and the balltracks.
- (4) Oil mist baths or drip feeds are acceptable. However, direct application to the ball nut is recommended (Fig. 4.3).
- (5) Select a suitable support bearing arrangement for the screw spindle. Angular contact ball bearings (angle=60°) are recommended for CNC machinery, because of higher axial load capacity and ability to provide a clearance-free or preloaded assembly (Fig. 4.4).



- (6) A dog stopper should be installed at the end to prevent the nut from over-travelling which results in damage to ballscrew assembly (Fig 4.5).
- (7) In environments contaminated by dust or metallic debris, ballscrews should be protected using telescopic or bellow-type covers. The service life of a ballscrew will be reduced to about one-tenth normal condition if debris or chips enter the nut. The bellow type covers may need to have a threaded hole in the flange to fix the cover. Please contact engineers when special modifications are needed (Fig 4.6).



- (8) If you select an internal recirculation type or an endcap recirculation type ballscrew, one end of the ball thread must be cut through to the end surface. The adjacent diameter on the end journal must be 0.5 ~ 1.0 mm less than the root diameter of the balltracks (Fig 4.7).
- (9) After heat treating the ballscrew spindle, both ends of the balltracks adjacent to the journal have about 2 to 3 leads left soft, for the purpose of machining. These regions are shown in (Fig. 4.8) with the mark "●" on HIWIN drawings.





- (10) Excessive preload increases the friction torque and generates heat which reduces the life expectancy. But insufficient preload reduces stiffness and increases the possibility of lost motion. It is recommended that the maximum preload used for CNC machine tools should not exceed 8% of the basic dynamic load C.
- (11) When the nut needs to be disassembled from/assembled to the screw spindle, a tube with an outer dia. 0.2 to 0.4 mm less than the root diameter (ref. M37) of the balltracks should be used to release/connect the nut to/from the screw spindle via one end of the screw spindle shown in Fig. 4.9.
- (12) As shown in Fig 4.10, the support bearing must have a chamfer to allow it to seat properly and maintain proper alignment. HIWIN suggests the DIN 509 chamfer as the standard construction for this design (Fig. 4.11).

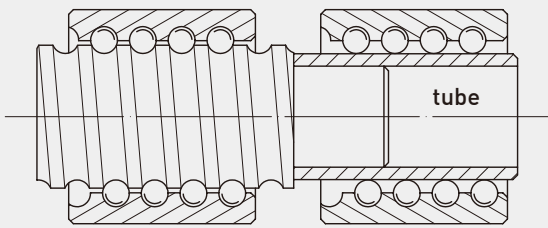


Fig 4.9 The method of separating the nut from the screw spindle

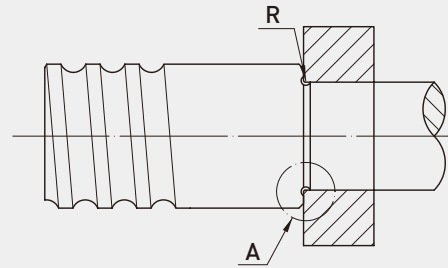


Fig 4.10 Chamfer for seating the face of bearing end

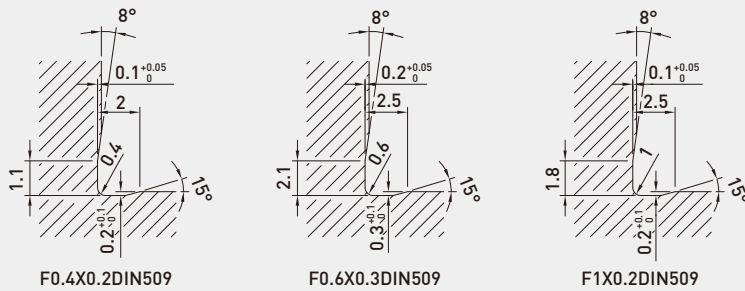


Fig 4.11 Suggested chamfer dimension per DIN 509 for the "A" dimension in Fig 4.10

## 4.2 Ballscrews Selection Procedure

The selection procedure for ballscrews is shown in (Table 4.1) From the known design operation condition, (A) select the appropriate parameter of ballscrew, (B) follow the selection procedure step by step via the reference formula, and (C) find the best ballscrew parameters which can be met for the design requirements.

Table 4.1 Ballscrew selection procedure

Step	Design operation condition (A)	Ballscrew parameter (B)	Reference formula(C)
Step 1	Positioning accuracy	Lead accuracy	Table 4.2
Step 2	(1) Max. speed of DC motor (Nmax) (2) Rapid feed rate (Vmax)	Ballscrew lead	$\ell \geq \frac{V_{\max}}{N_{\max}}$
Step 3	Total travel distance	Total thread length	Total length = thread length+journal end length Thread length = stroke+nut length+100 mm (unused thread)
Step 4	(1) Load condition (%) (2) Speed condition (%)	Mean axial load Mean speed	M7~M10
Step 5	Mean axial force ( $\leq 1/5 C$ is the best)	Preload	M1
Step 6	(1) Service life expectancy (2) Mean axial load (3) Mean speed	Basic dynamic load	M13~M14
Step 7	(1) Basic dynamic load (2) Ballscrew lead (3) Critical speed (4) Speed limited by Dm-N value	Screw diameter and nut type (select some range)	M31~M33 and dimension table
Step 8	(1) Ballscrew diameter (2) Nut type (3) Preload (4) Dynamic load	Stiffness (check the best one via lost motion value)	M34~M40
Step 9	(1) Surrounding temperature (2) Ballscrew length	Thermal displacement and target value of cumulative lead (T)	M41 and 4.6 temperature rising effect
Step 10	(1) Stiffness of screw spindle (2) Thermal displacement	Pretension force	M45
Step 11	(1) Max. table speed (2) Max. rising time (3) Ballscrew specification	Motor drive torque and motor specification	M19~M28

## 4.3 Accuracy Grade of HIWIN Ballscrews

Precision ground ballscrews are used in applications requiring high positioning accuracy and repeatability, smooth movement and long service life. Ordinary rolled ballscrews are used for application grade less accurate but still requiring high efficiency and long service life. Precision grade rolled ballscrews have an accuracy between that of the ordinary grade rolled ballscrews and the higher grade precision ground ballscrews. They can be used to replace certain precision ground ballscrews with the same grade in many applications.

HIWIN makes precision grade rolled ballscrew up to C6 grade. Geometric tolerances are different from those of precision ground screws (See Chapter 6). Since the outside diameter of the screw spindle is not ground, the set-up procedure for assembling precision rolled ballscrews into the machine is different from that of ground ones. Chapter 7 contains the entire description of rolled ballscrews.

### (1) Accuracy grade

There are numerous applications for ballscrews from high precision grade ballscrews, used in precision measurement and aviation equipment, to transport grade ballscrews used in packaging equipment. The quality and accuracy classifications are described as follows: lead deviation, surface roughness, geometrical tolerance, backlash, drag torque variation, heat generation and noise level.

HIWIN precision ground ballscrews are classified into 7 classes. In general, HIWIN precision grade ballscrews are defined by the so called “ $\mathcal{V}_{300p}$ ” value see Fig 4.12 and rolled grade ballscrews are defined differently as shown in Chapter 7.

Fig. 4.12 is the lead measuring chart according to the accuracy grade of the ballscrews. The same chart by the DIN system is illustrated in Fig. 4.13. From this diagram, the accuracy grade can be determined by selecting the suitable tolerance in Table 4.2. Fig. 4.14 shows HIWIN’s measurement result according to the DIN standard. Table 4.2 shows the accuracy grade of precision grade ballscrews in HIWIN’s specification. The relative international standard is shown in Table 4.3.

The positioning accuracy of machine tools is selected by  $e_p$  value with the  $\mathcal{V}_{300p}$  variation. The recommended accuracy grade for machine applications is shown in Table 4.5. This is the reference chart for selecting the suitable ballscrews in different application fields.

## (2) Axial play (Backlash)

If zero axial play ballscrews (no backlash) are needed, preload should be added and the preload drag torque is specified for testing purpose. The standard axial play of HIWIN ballscrews is shown in Table 4.4. For CNC machine tools, lost motion can occur in zero-backlash ballscrews through incorrect stiffness. Please consult our engineers when determining stiffness and backlash requirements.

## (3) Geometrical tolerance

It is crucial to select the ballscrew of the correct grade to meet machinery requirements. Table 4.6 and Fig 4.15 are helpful for you to determine the tolerance factors, which are based on certain required accuracy grades.

Table 4.2 HIWIN accuracy grade of precision ballscrew

Unit: 0.001mm

Accuracy Grade		C0		C1		C2		C3		C4		C5		C6	
$\mathcal{V}_{2pp}$		3		4		4		6		8		8		8	
$\mathcal{V}_{300p}$		3.5		5		6		8		12		18		23	
Thread length		Item		$e_p$	$\mathcal{V}_u$	$e_p$	$\mathcal{V}_u$	$e_p$	$\mathcal{V}_u$	$e_p$	$\mathcal{V}_u$	$e_p$	$\mathcal{V}_u$	$e_p$	$\mathcal{V}_u$
		above	below												
-	315	4	3.5	6	5	6	6	12	8	12	12	23	18	23	23
315	400	5	3.5	7	5	7	6	13	10	13	12	25	20	25	25
400	500	6	4	8	5	8	7	15	10	15	13	27	20	27	26
500	630	6	4	9	6	9	7	16	12	16	14	30	23	30	29
630	800	7	5	10	7	10	8	18	13	18	16	35	25	35	31
800	1000	8	6	11	8	11	9	21	15	21	17	40	27	40	35
1000	1250	9	6	13	9	13	10	24	16	24	19	46	30	46	39
1250	1600	11	7	15	10	15	11	29	18	29	22	54	35	54	44
1600	2000			18	11	18	13	35	21	35	25	65	40	65	51
2000	2500			22	13	22	15	41	24	41	29	77	46	77	59
2500	3150			26	15	26	17	50	29	50	34	93	54	93	69
3150	4000			30	18	32	21	60	35	62	41	115	65	115	82
4000	5000							72	41	76	49	140	77	140	99
5000	6300							90	50	100	60	170	93	170	119
6300	8000							110	60	125	75	210	115	210	130
8000	10000											260	140	260	145
10000	12000											320	170	320	180

Table 4.3 International standard of accuracy grade for ballscrews

Unit: 0.001mm

Grade		Ground									
		C0	C1	C2	C3	C4	C5	C6	C7	C8	C10
$\mathcal{V}_{300p}$	ISO, DIN		6		12		23		52		210
	JIS	3.5	5		8		18		50		210
	HIWIN	3.5	5	6	8	12	18	23	50	100	210

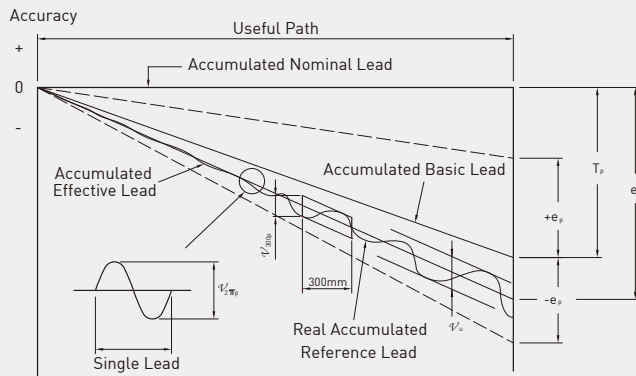
Table 4.4 Standard combination of grade and axial play

Unit: 0.001mm

Grade	C0	C1	C2	C3	C4	C5	C6
Axial Play	5	5	5	10	15	20	25

Table 4.5 Recommended accuracy grade for machine applications

Application grade		AXIS	Accuracy grade										
			0	1	2	3	4	5	6	7	8	10	
CNC Machinery Tools	Lathes	X	•	•	•	•	•						
		Z				•	•	•					
	Milling machines Boring machines	X		•	•	•	•	•					
		Y		•	•	•	•	•					
		Z			•	•	•	•					
	Machine Center	X		•	•	•	•						
		Y		•	•	•	•						
		Z			•	•	•						
	Jig borers	X	•	•									
		Y	•	•									
		Z	•	•									
	Drilling machines	X				•	•	•					
		Y				•	•	•					
		Z					•	•	•				
	Grinders	X	•	•	•								
		Y		•	•	•							
	EDM	X		•	•	•							
		Y		•	•	•							
		Z			•	•	•	•					
	Wire cut EDM	X		•	•	•							
Y			•	•	•								
U			•	•	•	•							
V			•	•	•	•							
Laser Cutting Machine	X			•	•	•							
	Y			•	•	•							
	Z			•	•	•							
General Machinery	Punching Press	X				•	•	•					
		Y				•	•	•					
	Single Purpose Machines			•	•	•	•	•	•				
	Wood working Machines								•	•	•	•	
	Industrial Robot ( Precision )			•	•	•	•						
	Industrial Robot ( General )							•	•	•	•		
	Coordinate Measuring Machine		•	•	•								
	Non-CNC Machine					•	•	•					
	Transport Equipment						•	•	•	•	•	•	
	X-Y Table			•	•	•	•	•					
	Linear Actuator							•	•	•	•		
	Aircraft Landing Gear							•	•	•	•		
	Airfoil Control							•	•	•	•		
	Gate Valve								•	•	•	•	
	Power steering								•	•	•		
	Glass Grinder				•	•	•	•	•				
	Surface Grinder						•	•					
	Induction Hardening Machine								•	•	•	•	
	Electromachine			•	•	•	•	•	•				
	All-electric injection molding machine								•	•	•	•	



$T_p$  : Target point of accumulated lead.  
This value is determined by customers' different application requirements.

$e_p$  : Total reference lead deviation.  
Maximum deviation for accumulated reference lead line over the full length.

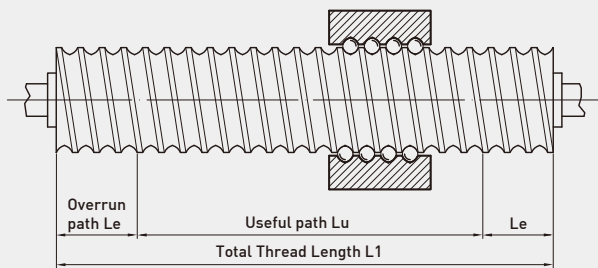
$v_{2\pi p}$  : Single lead variation.

$e_a$  : Real accumulated reference lead measured by laser system.

$v_u$  : Total relative lead deviation.  
Maximum deviation of the real accumulated lead from the real accumulated reference lead in the corresponding range.

$v_{300p}$  : Lead deviation over path of 300mm.  
The above deviation in random 300 mm within thread length.

Fig 4.12 HIWIN lead measuring curve of precision ballscrew



$e_{oa}$  : Average lead deviation over useful path  $L_u$ .  
A straight line representing the tendency of the cumulative actual lead.  
This is obtained by the least square method and measured by the laser system. The value is added by path compensation over the useful path and the mean travel deviation.

$C$  : Path compensation over useful path  $L_u$ .  
Selection parameter: This value is determined by customer and maker as it depends on different application requirements.

$e_p$  : Mean travel deviation.

$v_{up}$  : Lead variation over useful path  $L_u$ .

$v_{300p}$  : Lead variation over path of 300 mm.

$v_{2\pi p}$  : Lead variation over 1 rotation.

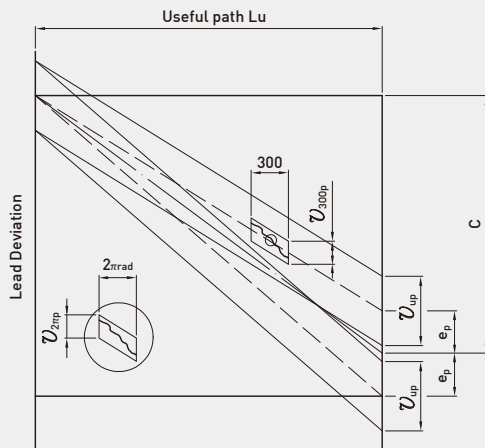
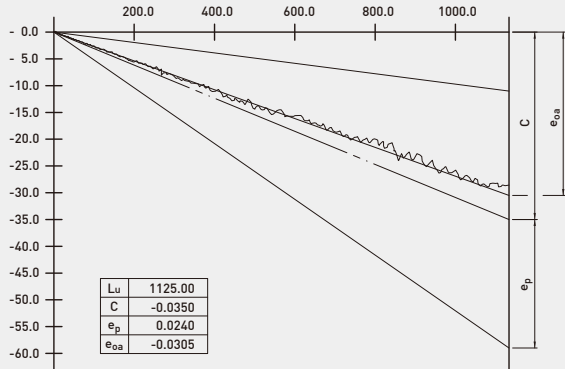


Fig 4.13 DIN lead measuring curve of precision ballscrew

AVERAGE LEAD DEVIATION OVER USEFUL PATH LU



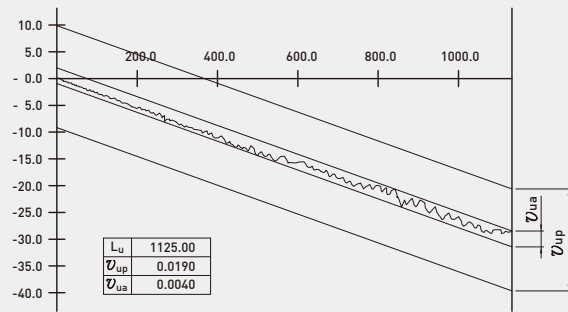
•  $e_{oa}(E_a)$  :

Lead deviation over useful thread length relative to the nominal deviation.

(This measurement is made according to DIN standard 69051-3-1).

$$C(T) - e_p[E_p] \leq e_{oa}(E_a) \leq C(T) + e_p[E_p]$$

LEAD VARIATION OVER USEFUL PATH LU



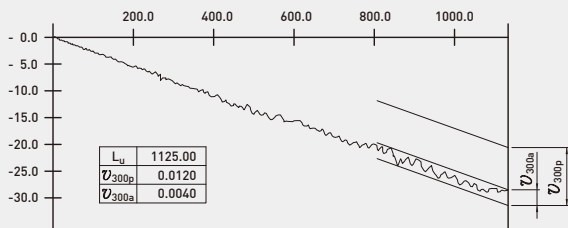
•  $v_{ua}(e_a)$  :

Total relative lead variation over useful thread length.

(This measurement is made according to DIN standard 69051-3-2).

$$v_{ua}(e_a) \leq v_{up}(e_p)$$

LEAD VARIATION OVER PATH OF 300MM



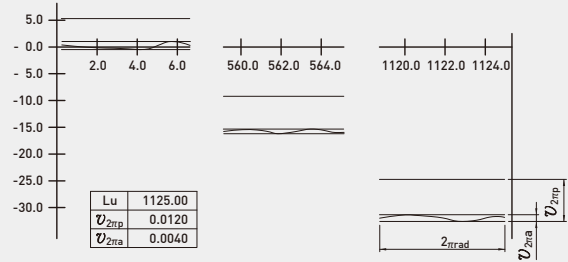
•  $v_{300a}(e_{300a})$  :

Relative lead variation in random 300mm length within thread length.

(This measurement is made according to DIN standard 69051-3-3).

$$v_{300a}(e_{300a}) \leq v_{300p}(e_{300p})$$

LEAD VARIATION OVER 1 ROTATION



•  $v_{2ra}(e_{2ra})$  :

Single lead variation over 2p.

(This measurement is made according to DIN standard 69051-3-4).

$$v_{2ra}(e_{2ra}) \leq v_{2p}(e_{2p})$$

Fig 4.14 Lead accuracy measuring chart from dynamic laser measurement equipment according to DIN 69051 standard

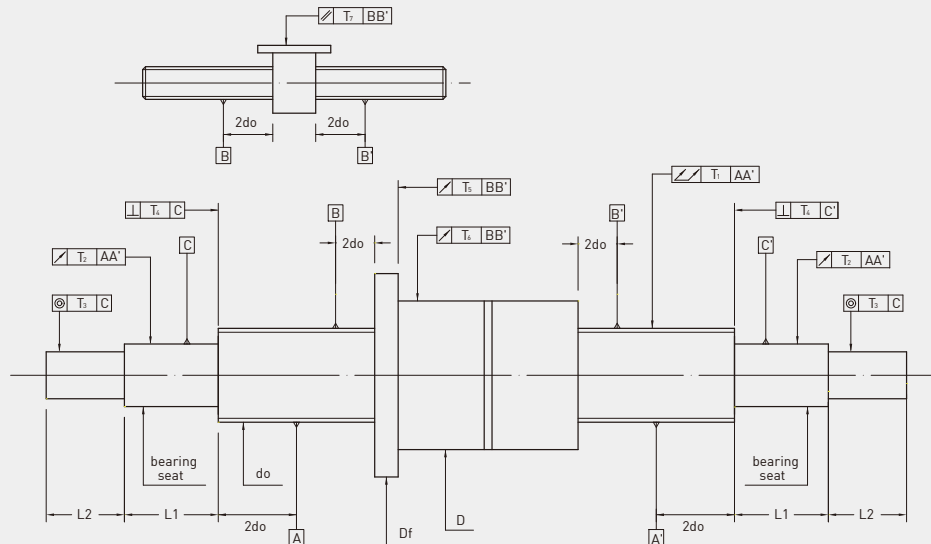
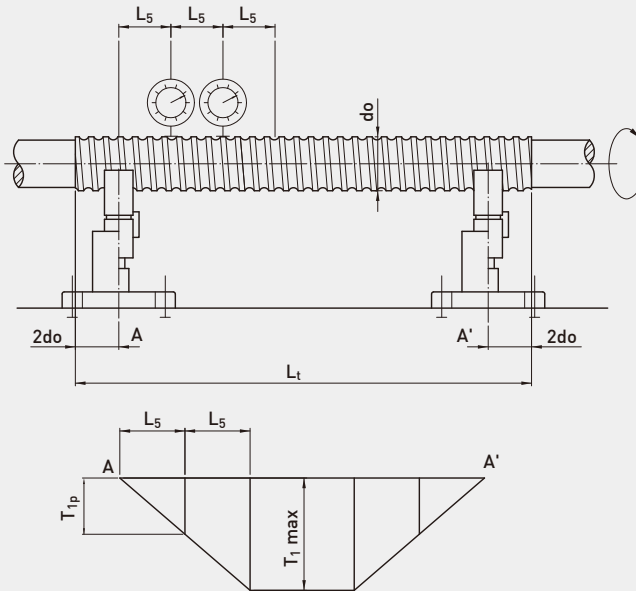


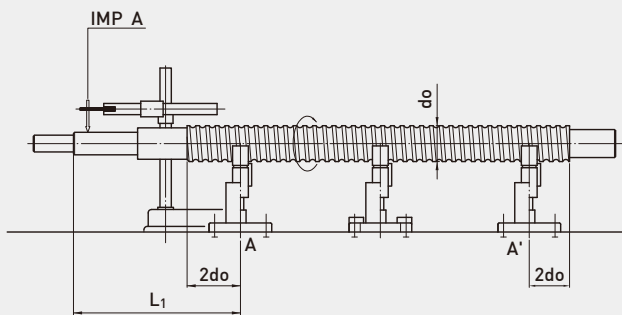
Fig 4.15 Geometrical tolerance of HIWIN precision ground ballscrew

Table 4.6 Tolerance table and measurement method for HIWIN precision ballscrews



T1: True running deviation of external diameter relative to AA' (This measurement is made according to DIN 69051 and JIS B1192)

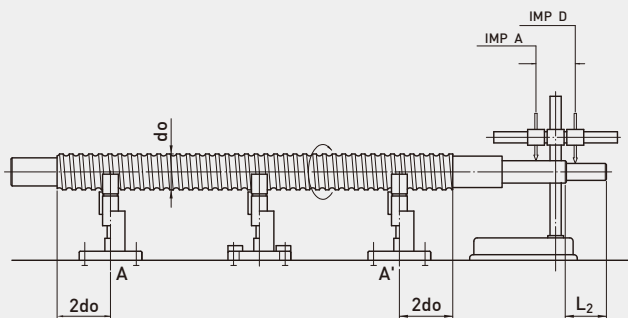
Nominal Diameter do ( mm )		reference length	T <sub>1p</sub> [ μm ] For HIWIN tolerance class							
above	up to	L5	0	1	2	3	4	5	6	7
6	12	80								
12	25	160								
25	50	315	20	20	20	23	25	28	32	40
50	100	630								
100	200	1250								
Lt/do		T <sub>1max</sub> [ μm ] ( for L <sub>t</sub> ≥ 4L <sub>5</sub> ) For HIWIN tolerance class								
above	up to	0	1	2	3	4	5	6	7	
	40	40	40	40	45	50	60	64	80	
40	60	60	60	60	70	75	85	96	120	
60	80	100	100	100	115	125	140	160	200	
80	100	160	160	160	180	200	220	256	320	



T2: Run out deviation of bearing relative to AA' (This measurement is made according to DIN 69051 and JIS B1192)

Nominal Diameter do ( mm )		reference length	T <sub>2p</sub> [ μm ] ( for L <sub>1</sub> ≤ L <sub>r</sub> ) For HIWIN tolerance class							
above	up to	L <sub>r</sub>	0	1	2	3	4	5	6	7
6	20	80	6	8	10	11	12	16	20	40
20	50	125	8	10	12	14	16	20	25	50
50	125	200	10	12	16	18	20	26	32	63
125	200	315	-	-	-	20	25	32	40	80

$$\text{if } L_1 > L_r, \text{ then } t_{2a} \leq T_{2p} \frac{L_1}{L_r}$$

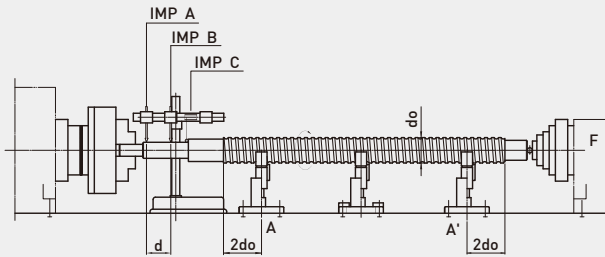


T3: Coaxial deviation relative to AA' (This measurement is made according to DIN 69051 and JIS B1192)

Nominal Diameter do ( mm )		reference length	T <sub>3p</sub> [ μm ] ( for L <sub>2</sub> ≤ L <sub>r</sub> ) For HIWIN tolerance class							
above	up to	L <sub>r</sub>	0	1	2	3	4	5	6	7
6	20	80	4	5	5	6	6	7	8	12
20	50	125	5	6	6	7	8	9	10	16
50	125	200	6	7	8	9	10	11	12	20
125	200	315	-	-	-	10	12	14	16	25

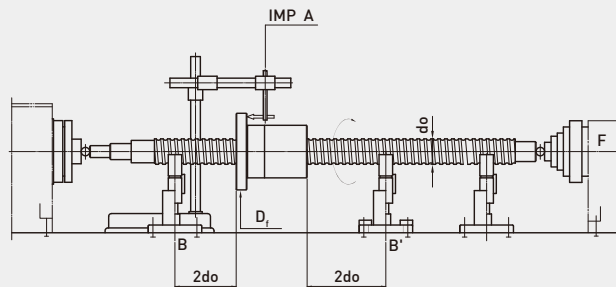
$$\text{if } L_2 > L_r, \text{ then } t_{3a} \leq T_{3p} \frac{L_2}{L_r}$$

Table 4.6 Tolerance table and measurement method for HIWIN precision ballscrews



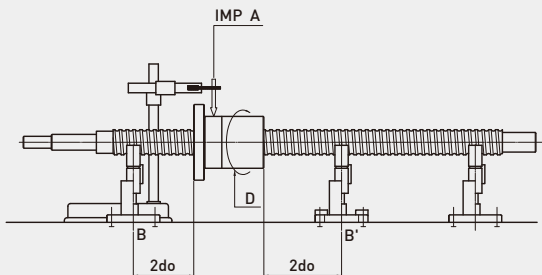
T4 : Run-out deviation of bearing end shoulder relative to AA' (This measurement is made according to DIN 69051 and JIS B1192)

Nominal Diameter do ( mm )		T <sub>4P</sub> [ μm ] For HIWIN tolerance class							
above	up to	0	1	2	3	4	5	6	7
6	63	3	3	3	4	4	5	5	6
63	125	3	4	4	5	5	6	6	8
125	200	-	-	-	6	6	8	8	10



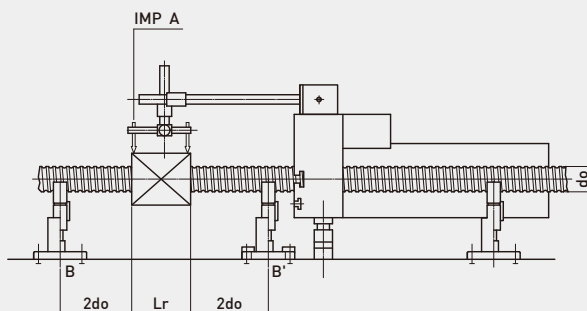
T5 : Face running deviation of locating face (only for nut) relative to BB' (This measurement is made according to DIN 69051 and JIS B1192)

Nut Flange Diameter D <sub>f</sub> ( mm )		T <sub>5P</sub> [ μm ] For HIWIN tolerance class							
above	up to	0	1	2	3	4	5	6	7
-	20	5	6	7	8	9	10	12	14
20	32	5	6	7	8	9	10	12	14
32	50	6	7	8	8	10	11	15	18
50	80	7	8	9	10	12	13	16	18
80	125	7	9	10	12	14	15	18	20
125	160	8	10	11	13	15	17	19	20
160	200	-	11	12	14	16	18	22	25
200	250	-	12	14	15	18	20	25	30



T6 : Run-out deviation of external diameter (only for nut) relative to BB' (This measurement is made according to DIN 69051 and JIS B1192)

Nut Diameter Diameter D ( mm )		T <sub>6P</sub> [ μm ] For HIWIN tolerance class							
above	up to	0	1	2	3	4	5	6	7
-	20	5	6	7	9	10	12	16	20
20	32	6	7	8	10	11	12	16	20
32	50	7	8	10	12	14	15	20	25
50	80	8	10	12	15	17	19	25	30
80	125	9	12	16	20	24	22	25	40
125	160	10	13	17	22	25	28	32	40
160	200	-	16	20	22	25	28	32	40
200	250	-	17	20	22	25	28	32	40



T7 : Deviation of parallelism (only for nut) relative to BB' (This measurement is made according to DIN 69051 and JIS B1192 )

Mounting basic length ( mm ) L <sub>r</sub>		T <sub>7P</sub> [ μm ] / 100mm For HIWIN tolerance class							
above	up to	0	1	2	3	4	5	6	7
-	50	5	6	7	8	9	10	14	17
50	100	7	8	9	10	12	13	15	17
100	200	-	10	11	13	15	17	24	30



## 4.4 Preload Methods

The specially designed Gothic ball track can make the ball contact angle around  $45^\circ$ . The axial force  $F_a$  which comes from an outside drive force or inside preload force, causes two kinds of backlash. One is the normal backlash,  $S_a$  caused by the manufacturing clearance between ball track and ball. The other is the deflection backlash,  $\Delta\ell$  caused by the normal force  $F_n$  which is perpendicular to the contact point.

The clearance backlash can be eliminated by the use of an preload internal force  $P$ . This preload can be obtained via a double nut, an offset pitch single nut, or by adjusting the ball size for preloaded single nuts.

The deflection backlash is caused by the preload internal force and the external loading force and is related to that of the effect of lost motion.

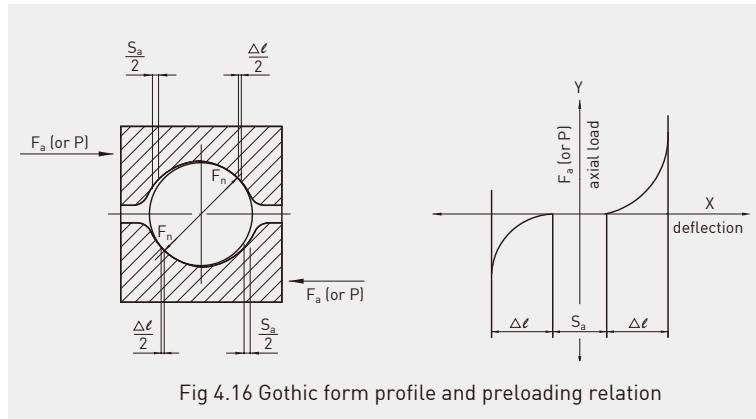


Fig 4.16 Gothic form profile and preloading relation

### (1) Double nut preloading

Preload is obtained by inserting a spacer between the 2 nuts (Fig. 4.17). “Tension preload” is created by inserting an oversize spacer and effectively pushing the nuts apart. “Compression pre-load” is created by inserting an undersize spacer and correspondingly pulling nuts together. Tension preload is primarily used for precision ballscrews. However, compression preload type ballscrews are also available upon your request. If pretension is necessary to increase stiffness, please contact us for the amount of pretension to be used in the ballscrew journal ends. (0.02mm to 0.03mm per meter is recommended, but the T value should be selected according to the compensation purpose).

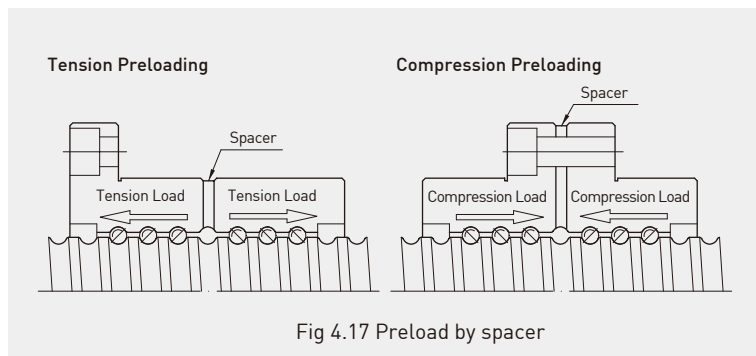


Fig 4.17 Preload by spacer

### (2) Single nut preloading

There are two ways of preloading a single nut. One is called “the oversized-ball preloading method”. The method is to insert balls slightly larger than the ball groove space (oversized balls) to allow balls to contact at four points (Fig. 4.18).

The other way is called “The offset pitch preloading method” as shown in Fig. 4.19. The nut is ground to have a  $\delta$  value offset on the center pitch. This method is used to replace the traditional double nut preloading method and has the benefit of a compact single nut with high stiffness via small preload force. However, it should not be used in heavy duty preloading. The best preload force is below 5% of dynamic load (C).

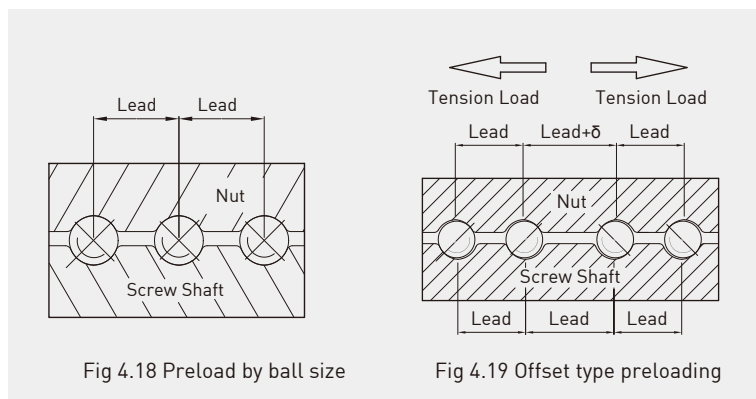


Fig 4.18 Preload by ball size

Fig 4.19 Offset type preloading

### (3) Preload calculation

$$P = \frac{F_{bm}}{2.8} \dots\dots\dots \text{M1}$$

P : preload force ( kgf )

F<sub>bm</sub> : Mean operating load(kgf)  
(Ref.M8~M10)

$$T_d = \frac{K_p \times P \times \ell}{2\pi} \dots\dots\dots \text{M2}$$

Preload drag torque (Fig. 4.20)

T<sub>d</sub> : preload drag torque (kgf-mm)

P : preload (kgf)

ℓ : lead (mm)

K<sub>p</sub> : preload torque coefficient \*\*

K<sub>p</sub> :  $\frac{1}{\eta_1} - \eta_2$  (is between 0.1 and 0.3)

η<sub>1</sub>, η<sub>2</sub> are the mechanical efficiencies of the ballscrew.

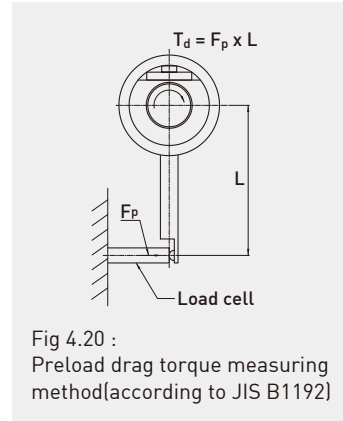


Fig 4.20 :  
Preload drag torque measuring method(according to JIS B1192)

#### (1) For common transmission (to convert rotary motion to linear motion)

$$\eta_1 = \frac{\tan(\alpha)}{\tan(\alpha + \beta)} = \frac{1 - \mu \tan \alpha}{1 + \mu / \tan \alpha} \dots\dots\dots \text{M3}$$

#### (2) For reverse transmission (to convert linear rotary motion to rotary motion)

$$\eta_2 = \frac{\tan(\alpha - \beta)}{\tan(\alpha)} = \frac{1 - \mu / \tan \alpha}{1 + \mu \tan \alpha} \dots\dots\dots \text{M4}$$

$$\alpha = \tan^{-1} \frac{\ell}{\pi D_m} \dots\dots\dots \text{M5}$$

$$\beta = \tan^{-1} \mu \dots\dots\dots \text{M6}$$

α : lead angle (degrees)

D<sub>m</sub> : pitch circle diameter of screw shaft (mm)

ℓ : lead (mm)

β : friction angle (0.17°~0.57°)

μ : friction coefficient (0.003~0.01)

$$** K_p = \frac{0.05}{\sqrt{\tan \alpha}}$$

### (4) Uniformity of preload drag torque

#### (1) Measuring method

Preload creates drag torque between the nut and screw. It is measured by rotating the screw spindle at constant speed while restraining the nut with a special fixture as shown in Fig. 4.20. The load cell reading force Fp is used to calculate the preload drag torque of the ballscrew.

HIWIN has developed a computerized drag torque measuring machine which can accurately monitor the drag torque during screw rotation. Therefore, the drag torque can be adjusted to meet customer requirements (Fig. 2.5). The measurement standard for preload drag torque is shown in Fig. 4.21 and Table 4.7.

#### (2) Measuring conditions

1. Without wiper.
2. The rotating speed, 100 rpm.
3. The dynamic viscosity of lubricant, 61.2 ~74.8 cSt (mm/s) 40°C, that is, ISO VG 68 or JIS K2001.
4. The return tube up.

(3) The measurement result is illustrated by the standard drag torque chart. Its nomenclature is shown in Fig. 4.21.

(4) The allowable preload drag torque variation as a function of accuracy grade is shown in Table 4.7.

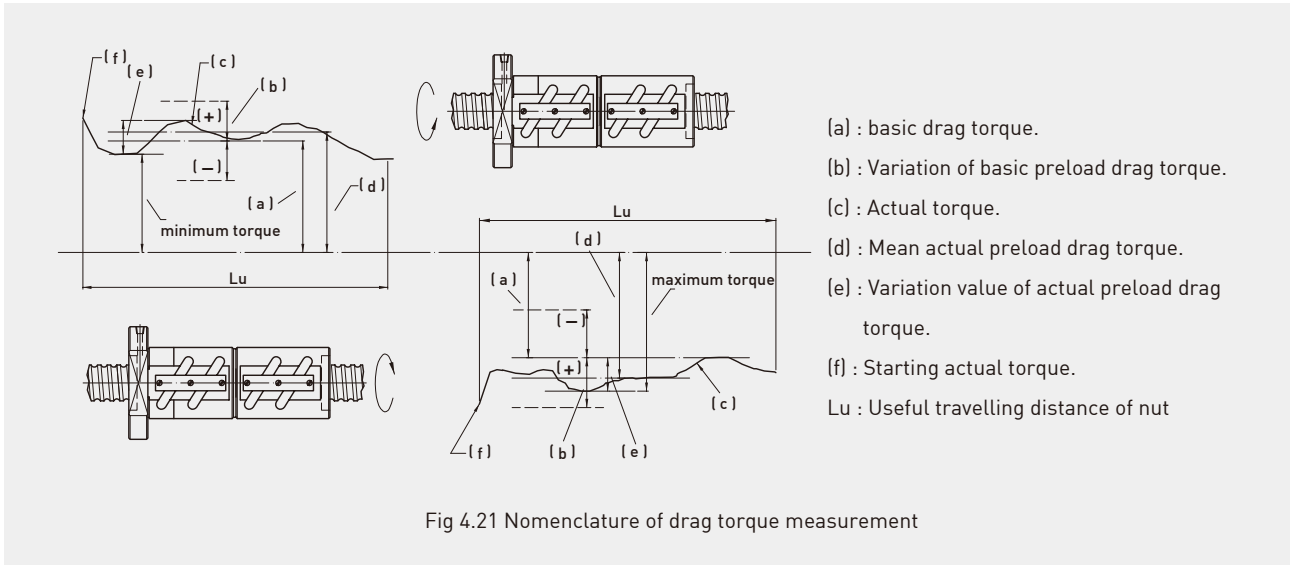


Fig 4.21 Nomenclature of drag torque measurement

Table 4.7 : Variation range for preload drag torque (According to JIS B1192)

Unit: ± %

Basic Dragtorque (kgf - cm)		Useful stroke length of thread (mm)																											
		4000 mm maximum																over 4000 mm											
		Slender ratio ≤ 40								40 < Slender ratio < 60																			
		Accuracy grade								Accuracy grade								Accuracy grade											
Above	Up To	0	1	2	3	4	5	6	7	0	1	2	3	4	5	6	7	0	1	2	3	4	5	6	7				
2	4	30	35	40	40	45	50	60	-	40	40	50	50	60	60	70	-	-	-	-	-	-	-	-	-	-			
4	6	25	30	35	35	40	40	50	-	35	35	40	40	45	45	60	-	-	-	-	-	-	-	-	-				
6	10	20	25	30	30	35	35	40	40	30	30	35	35	40	40	45	45	-	-	-	40	43	45	50	50				
10	25	15	20	25	25	30	30	35	35	25	25	30	30	35	35	40	40	-	-	-	35	38	40	45	45				
25	63	10	15	20	20	25	25	30	30	20	20	25	25	30	30	35	35	-	-	-	30	33	35	40	40				
63	100	-	15	15	15	20	20	25	30	-	-	20	20	25	25	30	35	-	-	-	25	23	30	35	35				

- Note : 1. Slender ratio=Thread length of spindle/ Nominal spindle O.D.(mm)  
 2. Refer to the designing section of the manual to determine the basic preload drag torque.  
 3. Table 4.9 shows the conversion table for Nm.  
 4. For more information, please contact our engineering department.

## 4.5 Calculation Formulas

### Service life

- The average number of rpm,  $n_{av}$

$$n_{av} = n_1 \times \frac{t_1}{100} + n_2 \times \frac{t_2}{100} + n_3 \times \frac{t_3}{100} + \dots \quad \text{M7}$$

$n_{av}$  : average speed (rpm)

$n$  : speed (rpm)

$\frac{t_1}{100}$  : % of time at speed  $n_1$  etc.

- The average operating load  $F_{bm}$

(1) With variable load and constant speed

$$F_{bm} = \sqrt[3]{F_{b1}^3 \times \frac{t_1}{100} \times f_{p1}^3 + F_{b2}^3 \times \frac{t_2}{100} \times f_{p2}^3 + F_{b3}^3 \times \frac{t_3}{100} \times f_{p3}^3} \dots \quad \text{M8}$$

$F_{bm}$  : average operating load (kgf);  $F_b$  : working axial load

$f_p$  : operation condition factor

$f_p$  : 1.1 ~ 1.2 when running without impact

1.3 ~ 1.8 when running in the normal condition

2.0 ~ 3.0 when running with heavy impact and vibration

(2) With variable load and variable speed

$$F_{bm} = \sqrt[3]{F_{b1}^3 \times \frac{n_1}{n_{av}} \times \frac{t_1}{100} \times f_{p1}^3 + F_{b2}^3 \times \frac{n_2}{n_{av}} \times \frac{t_2}{100} \times f_{p2}^3 + F_{b3}^3 \times \frac{n_3}{n_{av}} \times \frac{t_3}{100} \times f_{p3}^3} \dots \quad \text{M9}$$

(3) With linear variable load and constant speed

$$F_{bm} \doteq \frac{F_{b \min} \times f_{p1} + 2 \times F_{b \max} \times f_{p2}}{3} \quad \text{M10}$$

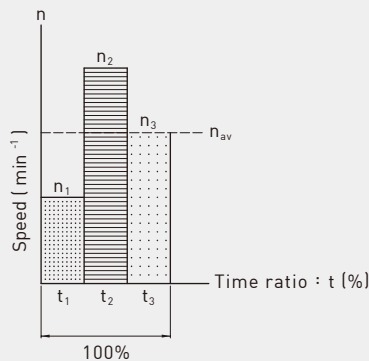


Fig 4.22 Equivalent speed

### Example 4.5 - 1

A HIWIN ballscrew is subjected to the following operating conditions. Calculate the average running speed and operating load.

Operating Condition :

For smooth running without impact  $f_p = 1.1$

Condition	Axial load (kgf)	Revolution (rpm)	Loading time ratio (%)
	(F <sub>b</sub> )	(n)	(t)
1	100	1000	45
2	400	50	35
3	800	100	20

Calculation

$$n_{av} = 1000 \times \frac{45}{100} + 50 \times \frac{35}{100} + 100 \times \frac{20}{100} = 487.5 \text{rpm (ref.M7)}$$

$$F_{bm} = \sqrt[3]{100^3 \times \frac{1000}{487.5} \times \frac{45}{100} \times 1.1^3 + 400^3 \times \frac{50}{487.5} \times \frac{35}{100} \times 1.1^3 + 800^3 \times \frac{100}{487.5} \times \frac{20}{100} \times 1.1^3} = 318.5 \text{ kgf}$$

### The resultant axial force, Fa

For a single nut without preload

$$F_a = F_{bm} \dots\dots\dots \text{M11}$$

For a single nut with preload P

$$F_a \leq F_{bm} + P \dots\dots\dots \text{M12}$$

### Expected service life

For single nut

- Service life represented in revolutions :

$$L = \left( \frac{C}{F_a} \right)^3 \times 10^6 \dots\dots\dots \text{M13}$$

L : Service life in running revolution (revolutions)

C : dynamic load rating (kgf) (10<sup>6</sup> rev)

For symmetrical preload double nut arrangement

- (a) Service life represented in revolutions :

$$F_{bm}(1) = P \left( 1 + \frac{F_{bm}}{3P} \right)^{3/2} \quad L(1) = \left( \frac{C}{F_{bm}(1)} \right)^3 \times 10^6$$

$$F_{bm}(2) = F_{bm}(1) - F_{bm} \quad L(2) = \left( \frac{C}{F_{bm}(2)} \right)^3 \times 10^6$$

$$L = [L(1)^{-10/9} + L(2)^{-10/9}]^{-9/10} \dots\dots\dots \text{M14}$$

L = Service life in running revolution (revolutions)

P : Preload force (kgf)

- (b) conversion from revolutions to hours :

$$L_h = \frac{L}{n_{av} \times 60} \dots\dots\dots \text{M15}$$

L<sub>h</sub> : Service life in hours (hours)

n<sub>av</sub> : Average speed (rpm, Ref. M7)

- (c) Conversion from travel distance to hours:

$$L_h = \left( \frac{L_d \times 10^6}{\ell} \right) \times \frac{1}{n_{av} \times 60} \dots\dots\dots \text{M16}$$

L<sub>h</sub> : Running life (in hours)

L<sub>d</sub> : Running life (in distance, Km)

ℓ : Ballscrew lead (mm per rev)

n<sub>av</sub> : Average running speed (rpm)

(d) the modified service life for different reliability factors is calculated by

$$L_m = L \times f_r \quad \dots\dots\dots \text{M17}$$

$$L_{hm} = L_h \times f_r \quad \dots\dots\dots \text{M18}$$

with the reliability factor  $f_r$  [ Table 4.8]

Table 4.8 Reliability factor for service life

Reliability %	$f_r$
90	1
95	0.63
96	0.53
97	0.44
98	0.33
99	0.21

### Example 4.5 - 2

By the example 4.5-1, if the design service life of the ballscrew is 3500 hours, lead = 10mm, single nut with zero backlash, find the nominal diameter of the HIWIN ballscrew.

**Calculation**

$$P = \frac{F_{bm}}{2.8} = \frac{318.5}{2.8} = 114 \text{ kgf} \quad (\text{Assume zero backlash when } F_{bm} = 318.5 \text{ kgf})$$

$$F_a = F_{bm} + p = 318.5 + 114 = 432.5 \text{ kgf} \quad (\text{Ref formula M1})$$

$$L = L_h \times n_{av} \times 60 = 3500 \times 487.5 \times 60 = 1.02375 \times 10^8 \quad (\text{revolutions})$$

$$C' = F_a \left( \frac{L}{10^6} \right)^{1/3} = 432.5 \times \left( \frac{1.02375 \times 10^8}{10^6} \right)^{1/3} = 2023 \text{ kgf} \quad C' \leq \text{rating}$$

So, from the dimensions table of HIWIN ballscrews, select FSV type nut with spindle nominal diameters equals 32mm and C1 circuits which can satisfy this application.

### Example 4.5 - 3

If the ballscrew nominal diameter=50mm, lead=8mm, and service life  $L=7 \times 10^6$  revolutions, find the permissible load on the screw spindle.

**Calculation**

From the dimensions table of HIWIN ballscrew, the FSV type ballscrew with nominal diameter=50 mm, lead=8 mm and B3 type return tube has the dynamic load rating  $C=5674$ .

$$F_a = C \div \left( \frac{L}{10^6} \right)^{1/3} = 5674 \div \left( \frac{7 \times 10^6}{10^6} \right)^{1/3} = 2966 \text{ kgf}$$

#### Drive torque and drive power for the motor

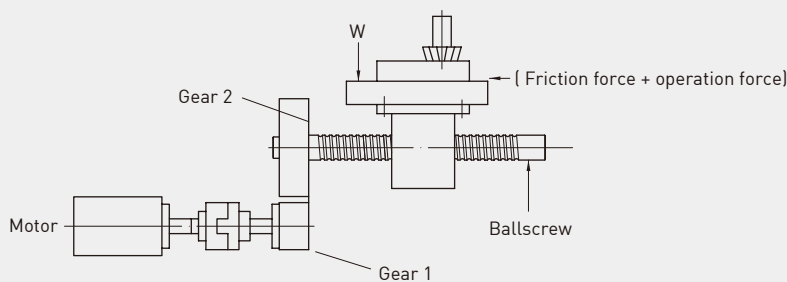


Fig 4.23 Load operation by ballscrew

Fig. 4.23 shows the terms for a feed system operated by ballscrew. The formula for motor drive torque is given below :

(a) Common transmission (to convert rotary motion to linear motion)

$$T_a = \frac{F_b \times \ell}{2\pi\eta_1} \dots\dots\dots \text{M19}$$

$T_a$  = Drive torque for common transmission (kgf-mm)

$F_b$  = Axial load (kgf)

$F_b = F_{bm} + \mu \times W$  (for horizontal motion)

$\ell$  = Lead (mm)

$\eta_1$  = Mechanical efficiency (0.9~0.95, Ref. M3)

$W$  = Table weight + Work piece weight (kgf)

$\mu$  = Friction coefficient of table guide way

(b) Reverse transmission (to convert linear motion to rotary motion)

$$T_c = \frac{F_b \times \ell \times \eta_2}{2\pi} \dots\dots\dots \text{M20}$$

$\eta_2$  = Mechanical efficiency (0.9~0.95, Ref. M4)

$T_c$  = Torque for reverse transmission (kgf-mm)

(c) Motor drive torque

For normal operation :

$$T_M = (T_a + T_b + T_d) \times \frac{N_1}{N_2} \dots\dots\dots \text{M21}$$

$T_M$  = Motor drive torque (kgf-mm)

$T_b$  = Friction torque of supporting bearing (kgf-mm)

$T_d$  = Preload drag torque (kgf-mm, Ref. M2)

$N_1$  = Number of teeth for driver gear

$N_2$  = Number of teeth for driven gear

For acceleration operation :

$$T'a = J\alpha \dots\dots\dots \text{M22}$$

$T'a$  : Motor drive torque during acceleration (kgf)

$J$  : System inertia (kgf-mm-sec<sup>2</sup>)

$\alpha$  : Angular acceleration (rad/sec<sup>2</sup>)

$$\alpha = \frac{2\pi N_{dif}}{60t_a} \dots\dots\dots \text{M23}$$

$N_{dif} = \text{rpm}_{\text{stage2}} - \text{rpm}_{\text{stage1}}$

$t_a$  = acceleration rising time (sec)

$$J = J_M + J_{G1} + J_{G2} \left( \frac{N_1}{N_2} \right)^2 + \frac{1}{2g} W_s \left( \frac{D_N}{2} \right)^2 \left( \frac{N_1}{N_2} \right)^2 + \frac{W}{g} \left( \frac{\ell}{2\pi} \right)^2 \left( \frac{N_1}{N_2} \right)^2 \dots\dots\dots \text{M24}$$

= Motor inertia + Equivalent gear inertia + Ballscrew inertia + Load inertia (Fig.4.23)

$W_s$  : Ballscrew weight (kgf)

$D_N$  : Ballscrew nominal diameter (mm)

$g$  : Gravity coefficient (9800 mm/sec<sup>2</sup>)

$J_M$  : Inertia of motor (kgf-mm-sec<sup>2</sup>)

$J_{G1}$  : Inertia of driver gear (kgf-mm-sec<sup>2</sup>)

$J_{G2}$  : Inertia of driver gear (kgf-mm-sec<sup>2</sup>)

Total operating torque :

$$T_{Ma} = T_M + T'_a \quad \dots\dots\dots \text{M25}$$

$T_{Ma}$  = Total operating torque (kgf)

The inertia of a disc is calculated as following :  
For disc with concentric O.D.

$$J = \frac{1}{2g} \pi \rho_d R^2 L \quad \dots\dots\dots \text{M26}$$

- $J$  : Disc inertia (kgf • mm • sec<sup>2</sup>)
- $\rho_d$  : Disc specific weight ( $7.8 \times 10^{-6}$  kgf/mm<sup>3</sup>) for steel
- $R$  : Disc radius (mm)
- $L$  : Disc length (mm)
- $g$  : Gravity coefficient (9800 mm/sec<sup>2</sup>)

(d) Drive power

$$P_d = \frac{T_{pmax} \times N_{max}}{974} \quad \dots\dots\dots \text{M27}$$

- $P_d$  : Maximum drive power (watt) safety
- $T_{pmax}$  : Maximum drive torque (safety factor  $\times T_{ma}$ , kgf-mm )
- $N_{max}$  : Maximum rotation speed (rpm)

(e) Check the acceleration time

$$t_a = \frac{J}{T_{MI} - T_L} \times \frac{2\pi N_{max}}{60} \cdot f \quad \dots\dots\dots \text{M28}$$

- $t_a$  = Acceleration rising time
- $J$  = Total inertia moment
- $T_{MI} = 2 \times T_{mr}$
- $T_{mr}$  = Motor rated torque
- $T_L$  = Drive torque at rated feed
- $f$  = Safety factor = 1.5

Table 4.9 : Shows the conversion relationship of different measurement units for the motor torque or preload drag torque.

Table 4.9 Conversion table for motor torque

kgf - cm	kgf - mm	Nm	kpm ( kgf - m )	OZ - in	ft - lbf
1	10	$9.8 \times 10^{-2}$	$10^{-2}$	13.8874	$7.23301 \times 10^{-2}$
0.1	1	$9.8 \times 10^{-3}$	$1.0 \times 10^{-3}$	1.38874	$7.23301 \times 10^{-3}$
10.19716	$1.019716 \times 10^2$	1	0.1019716	$1.41612 \times 10^2$	0.737562
$10^2$	$10^3$	9.80665	1	$1.38874 \times 10^3$	7.23301
$7.20077 \times 10^{-2}$	0.720077	$7.06155 \times 10^{-3}$	$7.20077 \times 10^{-4}$	1	$5.20833 \times 10^3$
13.82548	$1.382548 \times 10^2$	1.35582	0.1382548	$1.92 \times 10^2$	1

### Example 4.5 - 4

Consider the machining process driven by the motor and ballscrew as Fig. 4.24.

Table weight  $W_1 = 200$  kgf

Work weight  $W_2 = 100$  kgf

Friction coefficient of slider  $\mu = 0.02$



Operating condition : Smooth running without impact

Axial feed force (kgf)	Revolution (rpm)	Loading time ratio (%)
100	500	20
300	100	50
500	50	30

Acceleration speed : 100 rad/sec<sup>2</sup>

Motor Condition : Motor diameter : 50 mm, Motor length : 200 mm,

Gear condition : Driver gear diameter G1 : 80 mm, Thickness : 20 mm, Teeth : 30  
Driven gear diameter G2 : 240 mm, Thickness : 20 mm, Teeth : 90

Ballscrew condition :

Nominal diameter : 50 mm, Pitch : 10 mm

Length : 1200 mm, Weight : 18 kgf

No backlash when axial feed force = 300 kgf

Bearing torque  $T_b = 10$  kgf-mm

Mechanical efficiency  $\eta_l = 0.80$

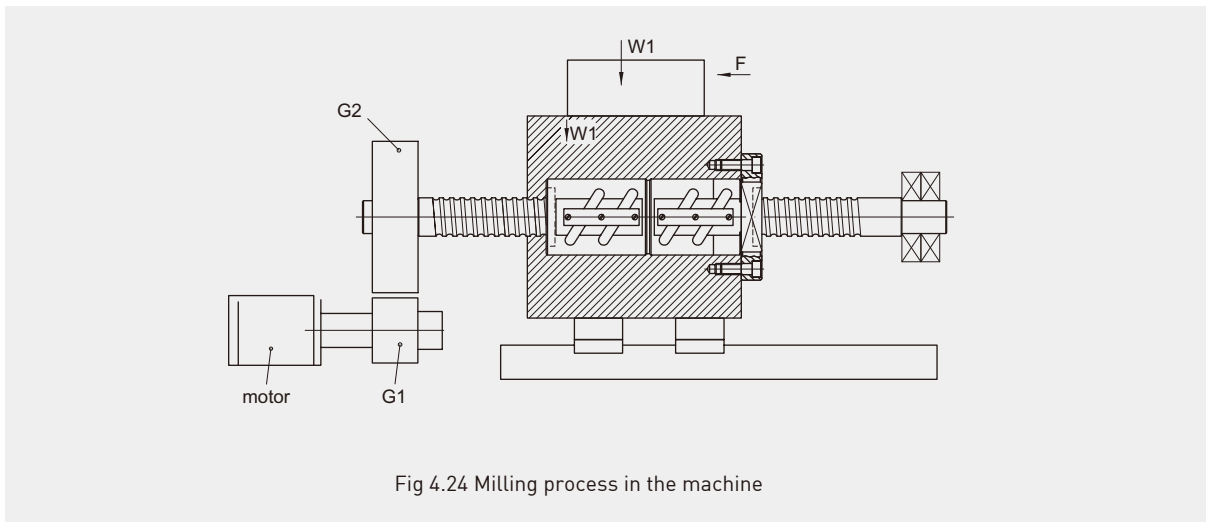


Fig 4.24 Milling process in the machine

### Calculation

(1) Motor drive torque in normal rating condition :

$$n_{av} = 500 \times \frac{20}{100} + 100 \times \frac{20}{100} + 50 \times \frac{20}{100} = 165 \text{ rpm} \quad (\text{Ref. M7})$$

$$F_1 = 100, F_2 = 300, F_3 = 500$$

$$F_{bm} = \sqrt[3]{100^3 \times 1 \times \frac{20}{100} \times \frac{500}{165} + 300^3 \times 1 \times \frac{50}{100} \times \frac{100}{165} + 500^3 \times 1 \times \frac{30}{100} \times \frac{50}{165}} = 272 \text{ kgf} \quad (\text{Ref. M9})$$

$$P = \frac{300}{2.8} \approx 110 \text{ kgf} \quad (\text{axial feed force} = 300 \text{ kgf}, \text{Ref. M1})$$

$$F_b = F_{bm} + \mu W = 270 + (200 + 100) \times 0.02 = 278 \text{ kgf}$$

$$T_a = \frac{F_b \times \ell}{2\pi\eta_l} = \frac{278 \times 10}{2\pi \times 0.80} = 553 \text{ kgf} \cdot \text{mm} \quad (\text{Ref. M19})$$

$$T_d = 0.2 \times \frac{P \times \ell}{2\pi} = \frac{0.2 \times 110 \times 10}{2\pi} = 35 \text{ kgf} \cdot \text{mm} \quad (\text{Ref. M2})$$

$$T_M = (T_a + T_b + T_d) \times \frac{N_1}{N_2} = (535 + 10 + 35) \times \frac{30}{90} = 199 \text{ kgf} \cdot \text{mm} \quad (\text{Ref. M21})$$

(2) Motor torque in acceleration operation :

(I) Inertia of motor

$$J_M = \frac{1}{2 \times 9800} \times \pi \times 7.8 \times 10^{-6} \times (25)^4 \times 200 = 0.1 \text{ kgf} \cdot \text{mm} \cdot \text{sec}^2$$

(II) Inertia of gear

$$J_{\text{Gear(eq)}} = J_{G1} + J_{G2} \times \left( \frac{N_1}{N_2} \right)^2$$

$$J_{G1} = \frac{1}{2 \times 9800} \times \pi \times 7.8 \times 10^{-6} \times \left( \frac{80}{2} \right)^4 \times 20 = 0.064 \text{ kgf} \cdot \text{mm} \cdot \text{sec}^2$$

$$J_{G2} = \frac{1}{2 \times 9800} \times \pi \times 7.8 \times 10^{-6} \times \left( \frac{240}{2} \right)^4 \times 20 = 5.18 \text{ kgf} \cdot \text{mm} \cdot \text{sec}^2$$

$$J_{\text{Gear(eq)}} = 0.064 + 5.18 \times \left( \frac{30}{90} \right)^2 = 0.640 \text{ kgf} \cdot \text{mm} \cdot \text{sec}^2$$

(III) Inertia of ballscrew

$$J_{\text{ballscrew}} = \frac{1}{2 \times 9800} \times 18 \times \left( \frac{50}{2} \right)^2 \left( \frac{30}{90} \right)^2 = 0.064 \text{ kgf} \cdot \text{mm} \cdot \text{sec}^2$$

(IV) Inertia of load

$$J_{\text{load}} = \frac{300}{9800} \times \left( \frac{10}{2 \times \pi} \right)^2 \times \left( \frac{30}{90} \right)^2 = 0.009 \text{ kgf} \cdot \text{mm} \cdot \text{sec}^2$$

(V) Total inertia

$$J = 0.1 + 0.64 + 0.064 + 0.009 = 0.813 \text{ kgf} \cdot \text{mm} \cdot \text{sec}^2$$

(3) Total motor torque:

$$T'_a = J \cdot \alpha = 0.813 \times 100 = 81.3 \text{ kgf} \cdot \text{mm}$$

$$T_{Ma} = T_M + T'_a = 199 + 81.3 = 280 \text{ kgf} \cdot \text{mm}$$

(4) Drive power:

$$T_{p \text{ max}} = 2 \times 280 = 560 \text{ kgf} \cdot \text{mm} \text{ (safety factor} = 2)$$

$$P_d = \frac{560 \times 1500}{974} = 862 \text{ W} = 1.16 \text{ Hp}$$

(5) Selection motor:

Select the DC motor rated torque :  $T_{Mr} > 1.5T_M$  , and maximum motor torque :  $T_{Max} > 1.5T_{pmax}$

Thus the DC servo motor with following specification can be chosen.

Rated output : 950 w

Rated torque : 30 kgf-cm (300 kgf • mm)

Rated rotational speed : 2000 rpm

Maximum torque : 65 kgf x cm (650 kgf • mm)

Moment of inertia of motor : 0.20 kgf • mm • sec<sup>2</sup>

(6) Check the acceleration time:

$$T_L = \left( \frac{F_d \times \ell}{2\pi\eta_1} + T_b + T_d \right) \times \frac{N_1}{N_2} = \left( \frac{100 \times 10}{2\pi \times 0.8} + 10 + 35 \right) \times \frac{30}{90} = 81.3 \text{ kgf} \cdot \text{mm}$$

$$t_a \geq \left( \frac{0.879}{300 \times 2 - 81.3} \right) \times \frac{2\pi \times 2000}{60} \times 1.5 = 0.53 \text{ sec}$$

### Buckling load

The ballscrew shaft when subjected to an axial compressive force may undergo a visibly large deflection. The axial force is called the buckling load.

$$F_k = 40720 \left( \frac{N_f d_r^4}{L_i^2} \right) \dots\dots\dots \text{M29}$$

$$F_p = 0.5 F_k \dots\dots\dots \text{M30}$$

$F_k$ = Permissible load (kgf)	fixed - fixed	$N_f = 1.0$
$F_p$ : Maximum permissible load (kgf)	fixed - supported	$N_f = 0.5$
$d_r$ : Root diameter of screw shaft (mm)	supported - supported	$N_f = 0.25$
$L_i$ : distance between support bearing (mm)	fixed - free	$N_f = 0.0625$
$N_f$ : Factor for different mounting types	◆1kgf = 9.8N;1daN=10N	

The buckling load diagram for different spindle diameter and support method is shown in Fig 4.25.

### Critical speed

The critical speed is said to exist when the rotational frequency of a shaft equals the first natural frequency of the shaft. This will cause the ball screw to bend under the stress of vibration coupled with the centrifugal forces due to the rotation and cause the shaft to vibrate violently. Therefore, the rotational speed of the ball screw should be set to below the value indicated by critical speed.

$$N_c = 2.71 \times 10^8 \times \frac{M_f d_r}{L_i^2} \dots\dots\dots \text{M31}$$

$$N_p = 0.8 N_c \dots\dots\dots \text{M32}$$

$N_c$ = critical speed (rpm)	fixed - fixed	$M_f = 1$
$N_p$ = Maximum permissible speed (rpm)	fixed - supported	$M_f = 0.689$
$d_r$ : Root diameter of screw shaft (mm)	supported - supported	$M_f = 0.441$
$L_i$ : distance between support bearing (mm)	fixed - free	$M_f = 0.157$
$M_f$ : Factor for different mounting types		

The critical speed for different spindle and support method is shown in (Fig 4.26).

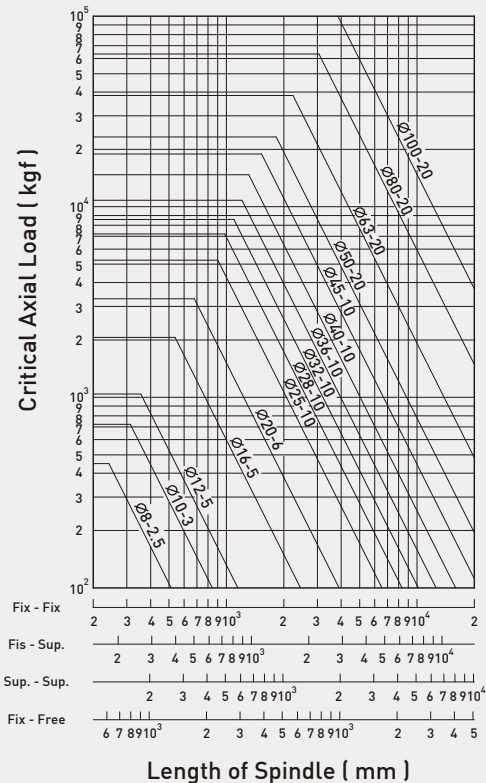


Fig 4.25 Shows the buckling load for different screw spindle diameter and length

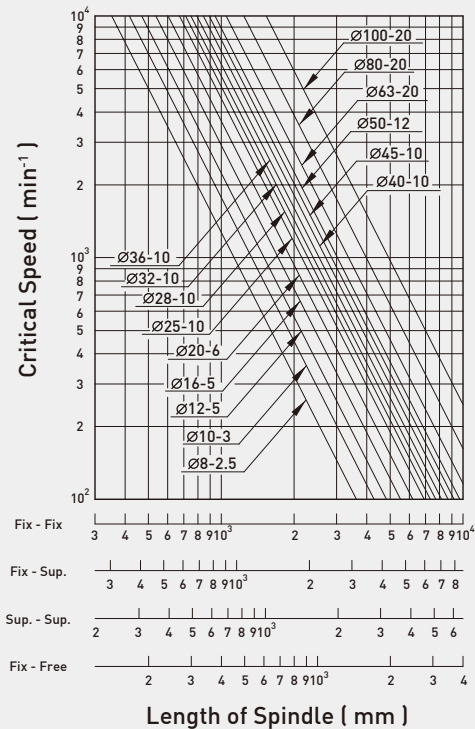


Fig 4.26 shows the critical speed for different screw spindle diameter and length

Supporting Conditions for Calculation of Buckling Load and Critical Speed

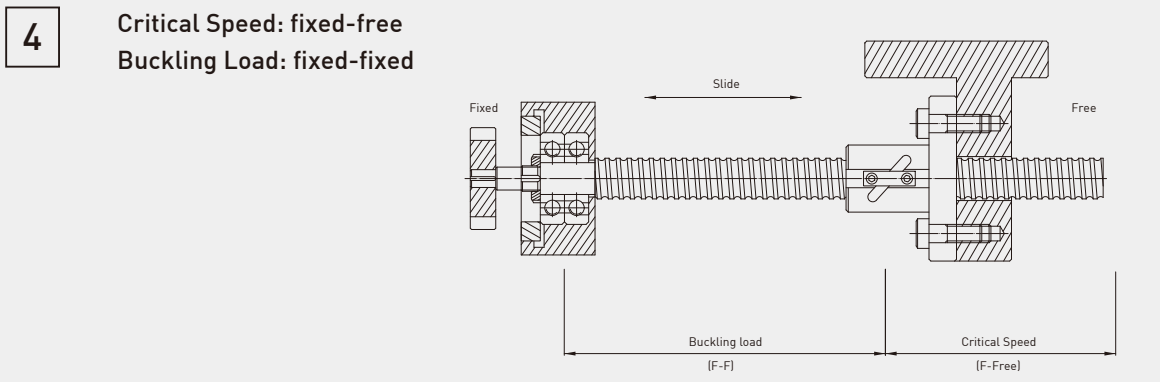
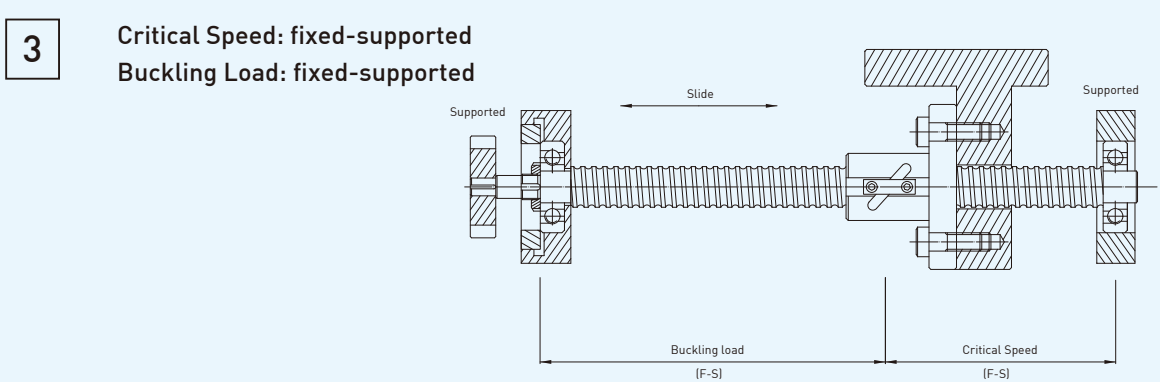
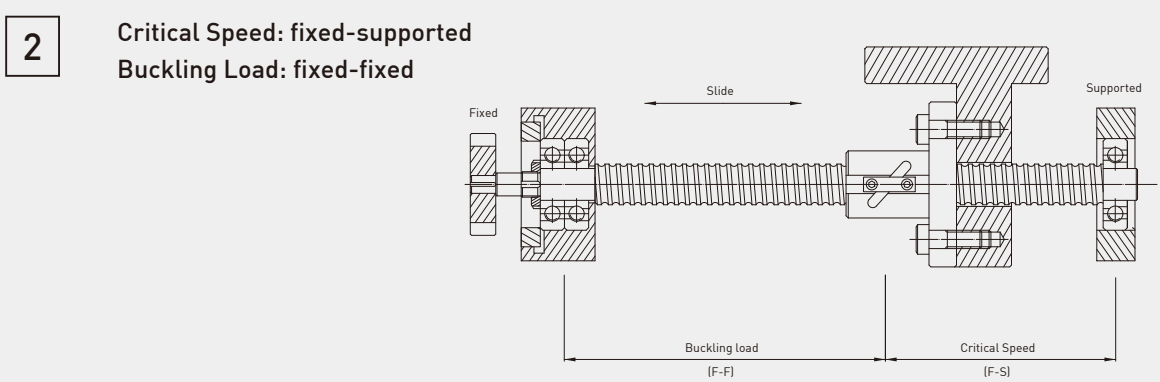
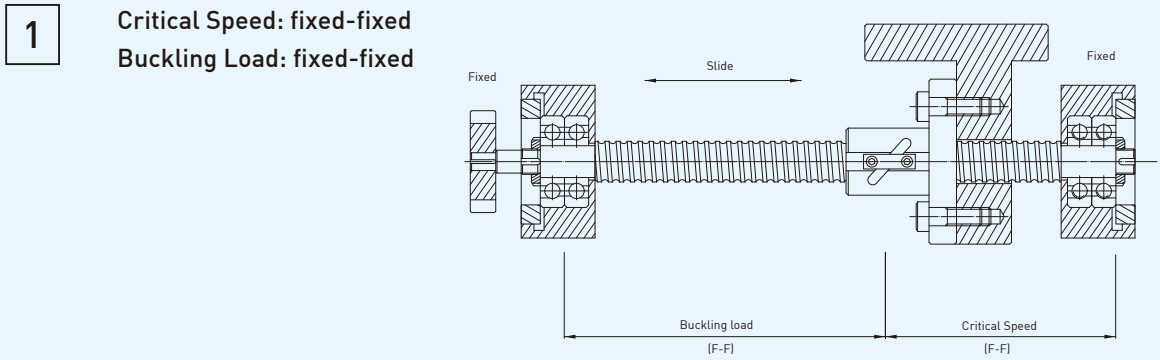


Fig 4.27 Supporting conditions for screw shaft ball nut

## D<sub>m</sub>-N value for ballscrew surface speed

D<sub>m</sub>-N value has a strong influence over ballscrew noise, working temperature and service life of return system.

For HIWIN ballscrew,

$$D_m \times N \leq 70,000 \quad \text{M33}$$

*D<sub>m</sub>* : Pitch circle diameter (mm)

*N* : Maximum speed (rpm)

Ballscrew structure enhancement designed by HIWIN when D<sub>m</sub>-N value ranges from 70,000 to 180,000 . If D<sub>m</sub>-N value above 180,000 , please consult our company.

## Stiffness

Stiffness is an indication of the rigidity of a machine. The stiffness of the ballscrew is determined by nut-spindle rigidity via axial load, balltrack contact rigidity and screw spindle rigidity. When assembling the ballscrew in the machine, the stiffness of support bearing, mounting condition of nut with machine table etc. should also be considered. Fig 4.28 shows the relation of total stiffness of the machine feed system.

From testing, the stiffness of nut-spindle relation and ball and balltrack relation can be combined into the stiffness of nut, *K<sub>n</sub>*, and listed in dimension table of different nut type. The stiffness of the ballscrew is shown as :

$$\frac{1}{K_{bs}} = \frac{1}{K_s} + \frac{1}{K_n} \quad \text{M34}$$

*K<sub>bs</sub>* : Total stiffness of ballscrew (kgf/μm)

The stiffness of the screw spindle is shown as :

$$K_s = 67.4 \frac{d_r^2}{L_1} \text{ (Fixed-Fixed)} \quad \text{M35}$$

$$K_s = 16.8 \frac{d_r^2}{L_1} \text{ (Fixed-Free)} \quad \text{M36}$$

The stiffness chart is shown in Fig 4.29

$$d_r : \text{Root diameter of screw spindle (mm)} \cong D_m - D_b \quad \text{M37}$$

*D<sub>b</sub>* : Diameter of ball (mm)

*K<sub>s</sub>* : Screw spindle stiffness (kgf/μm)

*K<sub>n</sub>* : Nut stiffness (kgf/μm)

The stiffness of the nut is tested using an axial force equal to the highest possible preload of 10% dynamic load (C) and is shown in the dimension table of each nut. When the preload is less than this value, the stiffness of the nut is calculated by extrapolation method as :

$$K_n = 0.8 \times K \left( \frac{P}{0.1C} \right)^{1/3} \quad \text{M38}$$

*K<sub>n</sub>* : Stiffness of nut

*K* : Stiffness in the dimension table

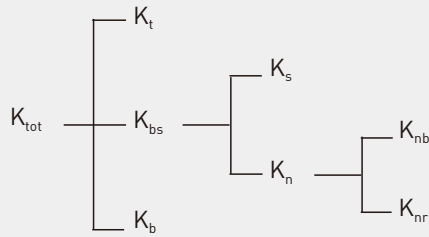
*P* : Preload

*C* : Dynamic load on dimension table

Single nut with backlash is calculated when the external axial force is equal to 0.28 C, thus :

$$K_n = 0.8 \times K \left( \frac{F_b}{2.8 \times 0.1C} \right)^{1/3} \quad \text{M39}$$

The axial stiffness of the whole feed system includes the stiffness of support bearings and nut mounting table. The designer should consider the total stiffness carefully.



$K_{tot}$  : Total stiffness of machine feed system  
 $K_t$  : Table mounting stiffness  
 $K_b$  : Support bearing stiffness  
 $K_{bs}$  : Ballscrew stiffness  
 $K_s$  : Ballscrew spindle stiffness  
 $K_n$  : Ballscrew nut stiffness  
 $K_{nb}$  : Ball and balltrack stiffness  
 $K_{nr}$  : Nut-spindle stiffness by radial load

Fig 4.28 Stiffness distribution for ballscrew feed system

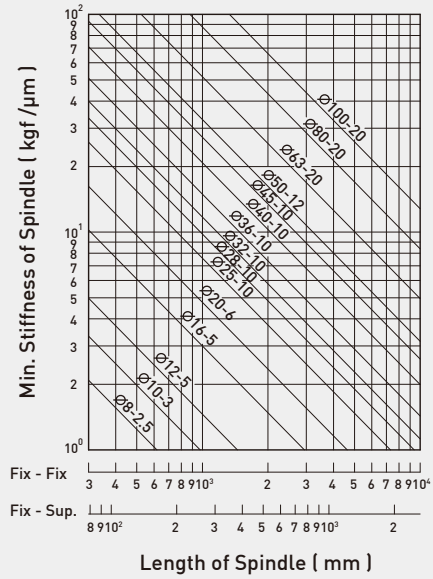


Fig 4.29 Stiffness chart for ballscrew spindle

### Thermal expansion

$$\Delta L = 11.6 \times 10^{-6} \times \Delta T \times L_s$$

M40

$\Delta L$  : Thermal expansion of screw spindle (mm)

$\Delta T$  : (°C) Temperature rise at screw spindle

$L_s$  : Total length of screw spindle (mm)

The T value should be chosen to compensate for the temperature rise of the ballscrew.

HIWIN recommends a T value of -0.02 ~ -0.03 per meter for CNC machine tools.

### Basic dynamic axial load rating C (theoretical)

The dynamic load is the load at which 90% of the ballscrews will achieve the service life of  $1 \times 10^6$  rev (C). The reliability factor can be adjusted by Table 4.8. The dynamic load is shown on the dimension table of each nut type.

### Basic static axial load rating Co (theoretical)

The static load is the load which will cause the balltrack to have a plastic deformation exceeding 0.0001x ball diameter. To calculate the maximum static load of a ballscrew, the static safety factor  $S_f$  of the application condition should be considered.

$$S_f \times F_a(\max) < C_o$$

M41

$S_f$  : Static factor = 2.5 max

$C_o$  : Static load from the dimension table of the nut type

$F_a(\max)$  : Maximum static axial load

### Example 4.5 - 5

Ballscrew specification: 1R40-10B2-FSW-1000-1200-0.012	Lead $l = 10$ mm
Pitch circle diameter $D_m = 41.4$ mm	Turns = 2.5x2
Ball diameter : 6.35 mm	Lead angle $\alpha = 4.4^\circ$
Root diameter $d_r = 34.91$ mm	Friction angle $\beta = 0.286^\circ$
Column load : fixed - supported	Preload $P = 250$ kgf
Critical speed : fixed - supported	Mean axial force $F_b = 700$ kgf
Stiffness of bearing $K_b = 105$ kgf/ $\mu$ m	$N_f = 0.5$ ; $L_t = 1000$ mm ; $M_f = 0.692$

#### Calculation

##### (1) Buckling load $F_p$

$$F_k = 40720 \times \frac{N_f d_r^4}{L_t^2} = 40720 \times \frac{0.5 \times 34.91^4}{1000^2} = 30240 \text{ kgf (Ref. M29)}$$

$$F_p = 0.5 \times F_k = 0.5 \times 30240 = 15120 \text{ kgf}$$

##### (2) Critical speed $N_p$

$$N_c = 2.71 \times 10^8 \times \frac{0.689 \times 34.90}{1000^2} = 6516 \text{ rpm}$$

$$N_p = 0.8 \times N_c = 0.8 \times 6516 = 5213 \text{ rpm}$$

##### (3) Mechanical efficiency $\eta$ (theoretical)

###### (I) Common transmission

$$\eta_1 = \frac{\tan \alpha}{\tan(\alpha + \beta)} = \frac{\tan(4.396^\circ)}{\tan(4.396^\circ + 0.286^\circ)} = 0.938 \text{ (Ref. M3)}$$

###### (II) Reverse transmission

$$\eta_2 = \frac{\tan(\alpha + \beta)}{\tan \alpha} = \frac{\tan(4.396^\circ + 0.286^\circ)}{\tan(4.396^\circ)} = 0.934 \text{ (Ref. M4)}$$

##### (4) Stiffness $K$

$$K_s = 16.8 \frac{d_r^2}{L_1} = 16.8 \times \frac{34.91^2}{1000} = 20.5 \text{ kgf}/\mu\text{m} \quad p = 250 < 0.1C (=537)$$

$$\therefore K_n = 0.8 \times \left( \frac{P}{0.1C} \right)^{1/3} = 0.8 \times 74 \times \left( \frac{250}{0.1 \times 5370} \right)^{1/3} = 46 \text{ kgf}/\mu\text{m}$$

$$\frac{1}{K} = \frac{1}{K_s} + \frac{1}{K_n} = \frac{1}{20.5} + \frac{1}{46} \quad K = 14.18 \text{ kgf}/\mu\text{m}$$

##### (5) Lost motion during axial force $F_b = 700$ kgf

$$\frac{1}{K_t} = \frac{1}{K} + \frac{1}{K_b} = \frac{1}{14} + \frac{1}{105} \quad K_t = 12.35 \text{ kgf}/\mu\text{m}$$

$$\delta / 2 = \frac{F}{K} = \frac{700}{12.4} = 56 \mu\text{m} = 0.056 \text{ mm} \quad (\text{each way}) \quad \text{Total lost motion } \delta = 2 \times 0.056 = 0.112 \text{ mm}$$

If the preload increases to  $2 \times 250 = 500$  kgf then  $K_n = 58$  kgf/ $\mu$ m and  $K = 15.1$  kgf/ $\mu$ m. Total stiffness  $K_t = 13.2$  kgf/ $\mu$ m and total lost motion  $\delta = 0.106$  mm. The difference is only  $6 \mu$ m (5% change). comparing with 250 kgf, preloaded nut, but the temperature rise caused by 500 kgf preload is heavy. The spindle stiffness is sometimes more important than the nut stiffness. The best way to increase the stiffness of the system is not in the heavy preloading of the ballscrew nut. If the support method changes to fixed-fixed, then  $K_s = 82$  kgf/ $\mu$ m and  $K_t$  becomes 23 kgf/ $\mu$ m. The total lost motion  $d = 0.061$  mm. The difference is  $51 \mu$ m (45%).

## Manufacturing range

The maximum length to which a ballscrew can be manufactured depends on spindle diameter and accuracy grade (Table 4.10). Since high accuracy ballscrews require a high degree of straightness to the screw spindle, the higher the slender ratio (length/diameter), the more difficult to manufacture and the less the spindle stiffness.

HIWIN recommends the maximum lengths shown in Table 4.10.

If a longer length is required, please contact with HIWIN engineer.

Table 4.10 General manufacturing range of HIWIN screw spindle vs. diameter and accuracy grade

Unit : mm

Total Length Grade	O.D.																		
		6	8	10	12	16	20	25	28	32	36	40	45	50	55	63	70	80	100
C0	110	170	300	400	600	700	1000	1000	1200	1300	1500	1600	1800	2000	2000	2000	2000	2000	2000
C1	110	170	400	500	720	950	1300	1500	1800	1800	2300	2500	3100	3500	4000	4000	4000	4000	4000
C2	140	200	500	630	900	1300	1700	1800	2200	2200	2900	3200	4000	5000	5200	5500	6300	6300	6300
C3	170	250	500	630	1000	1400	1800	2000	2500	3200	3500	4000	4500	5000	6000	7100	10000	10000	10000
C4	170	250	500	630	1000	1400	1800	2000	2500	3200	3500	4000	4500	5000	6000	7100	10000	10000	10000
C5	170	250	500	630	1410	1700	2400	2500	3000	3200	3800	4000	5000	5500	6900	7100	10000	10000	10000
C6	400	800	1000	1200	1500	1800	2500	3000	3000	4000	4000	4000	5600	5600	6900	7100	10000	10000	10000
C7	400	800	1000	1200	3000	3000	4000	4000	4500	4500	5600	5600	5600	5600	6900	7100	10000	10000	10000

■ Please consult with HIWIN in this area

## Heat treatment

HIWIN's homogenous heat treatment technique gives the ballscrew maximum life capability. Table 4.11 shows the hardness value of hardness in each component of HIWIN ballscrews. The surface hardness of the ballscrew affects both dynamic and static load value. The dynamic and static values shown in the dimension table are the values for a surface hardness equal to HRC 60. If the surface hardness is lower than this value, the following formula will give you the calibration result.

$$C'o = Co \times f_{Ho} \quad f_{Ho} = \left( \frac{\text{Real Hardness (HRC)}}{60} \right)^3 \leq 1 \quad \dots\dots\dots \text{M42}$$

$$C' = C \times f_H \quad f_H = \left( \frac{\text{Real Hardness (HRC)}}{60} \right)^2 \leq 1 \quad \dots\dots\dots \text{M43}$$

Where  $f_H$  and  $f_{Ho}$  are the hardness factor.

- C'o : Calibrated static load
- Co : Static load
- C' : Calibrated dynamic load
- C : Dynamic load

Table 4.11 Hardness of each component of HIWIN ballscrew

Item	Treat Method	Hardness (HRC)
Spindle	Carburizing or Induction Hardening	58 - 62
Nut	Carburizing	58 - 62
Ball		62 - 66



## 4.6 Temperature Increase Effect on Ballscrews

The temperature increase of a ballscrew during the working period will influence the accuracy of the machine feed system, especially in a machine designed for high speed and high accuracy.

The following factors have the effect of raising the temperature in a ballscrew.

- (1) Preload (2) Lubrication (3) Pretension

Fig 4.30 shows the relation of working speed, preload and temperature rise. Fig 4.31 shows the relation of nut temperature rise to preload friction torque. From Fig 4.30, Fig 4.31 and example 4.5-5, doubling the preload of the nut will increase the temperature about 5 degrees, but the stiffness increase only by about 5% (few  $\mu\text{m}$ ).

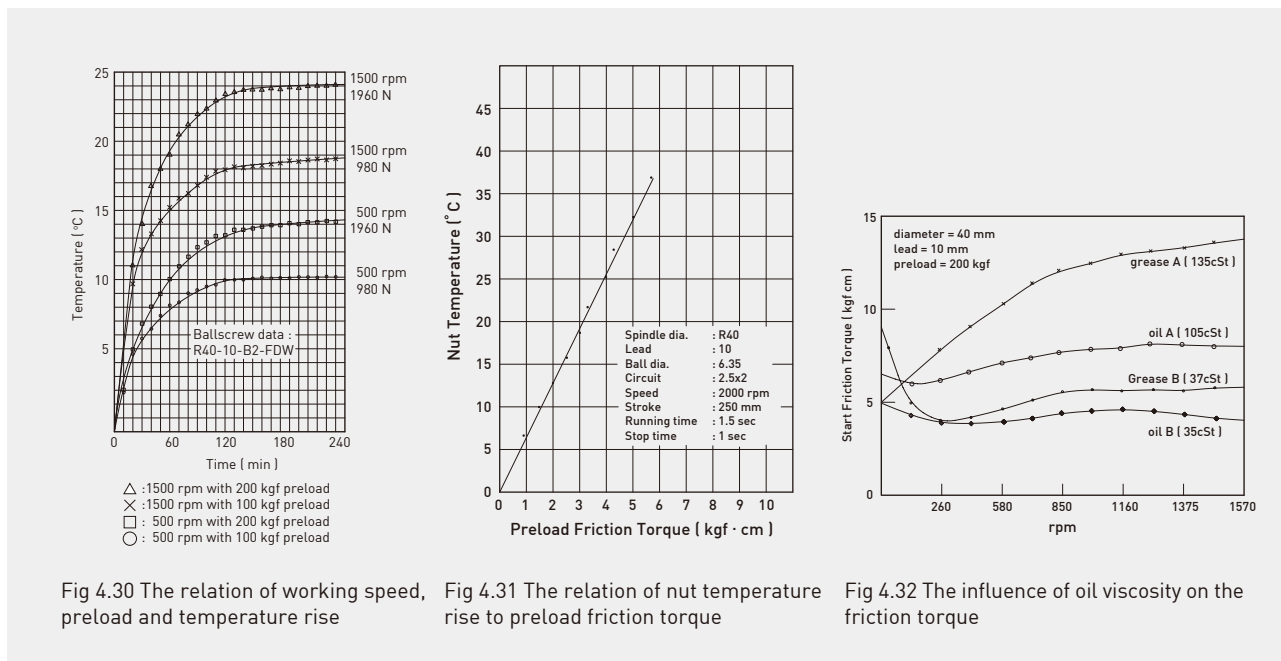


Fig 4.30 The relation of working speed, preload and temperature rise

Fig 4.31 The relation of nut temperature rise to preload friction torque

Fig 4.32 The influence of oil viscosity on the friction torque

### (1) Preload effect

To avoid any lost motion in the machine feed system, increasing the rigidity of the ballscrew nut is important. However, to increase the rigidity of the ballscrew nut, it is necessary to preload the nut to a certain level.

Preloading the nut will increase the friction torque of the screw, making it more sensitive to an increase in temperature during working period.

HIWIN recommends using a preload of 8% of the dynamic load for medium and heavy preload, 6% ~ 8% for medium preload, 4% ~ 6% for light and medium and below 4% for light preload.

The heaviest preload should not exceed 10% of the dynamic load for best service life and a low temperature rise effect.

### (2) Lubrication effect

The selection of lubricant will directly influence the temperature rise of the ballscrew.

HIWIN ballscrews require appropriate lubrication either by greasing or oiling. Antifriction bearing oil is recommended for ballscrew oil lubrication. Lithium soap based grease is recommended for ballscrew greasing. The basic oil viscosity requirement depends on the speed, working temperature and load condition of the application. (Fig 4.32) shows the relation of oil viscosity, working speed and rise in temperature.

When the working speed is higher and the working load is lower, a low viscosity oil is better. When the working speed is lower and the working load is heavy, a high viscosity oil is preferred.

Generally speaking, oil with a viscosity of 32 ~ 68 cSt at 40°C (ISO VG 32-68) is recommended for high speed lubrication (DIN 51519) and viscosity above 90 cSt at 40°C (ISO VG 90) is recommended for low speed lubrication.

In high speed and heavy load applications the use of a forced coolant is necessary to lessen the temperature. The forced lubrication of coolant can be done by a hollow ballscrew.

Fig 4.33 shows a typical application for hollow ballscrew in machine tools. The inspection and replenishing of the ballscrew lubricant is listed in Table 4.12.

### (3) Pretension effect

When the temperature rises in the ballscrew, the effect of thermal stress will elongate the screw spindle. It can make the spindle length unstable.

The elongating relationship can be calculated according to M40. This elongation can be compensated via the pretension force. For the purpose of pretension, there is a negative T value indicated in the design drawing to compensate the pretension value.

Since a large pretension force will cause the burn down of the supporting bearing, HIWIN recommends using pretension when the temperature rise is below 5°C. Also, if the diameter of the screw spindle is greater than 50 mm, it is not suitable for pretension. A large spindle diameter requires a high pretension force, causing burn down of the supporting bearing.

HIWIN recommends a T compensation value of about 3°, (about -0.02~0.03 for each 1000 mm screw spindle).

Since different applications require different T values, please contact HIWIN engineer.

The pretension force is calculated as :

$$P_f = K_s \times \Delta L$$

$K_s$  : Stiffness of screw spindle (kgf/μm)

$P_f$  : Pretension force (kgf)

$\Delta L$  : Pretension value (μm)

Table 4.12 : Inspection and replenishment of Lubricant

Lubrication Method	Inspection & Replenishment Guide
Oil	<ul style="list-style-type: none"> <li>• Check the oil level and clean once a week.</li> <li>• When contamination happens, replacing the oil is recommended.</li> <li>• Lubrication suggestion : Lubrication amount to apply onto Ballscrew per 15 minutes <math>\frac{\text{Ballscrew outer diameter(mm)}}{56-60}</math> c.c.</li> </ul>
Grease	<ul style="list-style-type: none"> <li>• Inspect for contamination of chips every 2 or 3 months.</li> <li>• If contamination happens, remove old grease and replace with new grease.</li> <li>• Injection amount is about half of internal space within nut every 2 months or 100 km stroke.</li> </ul>

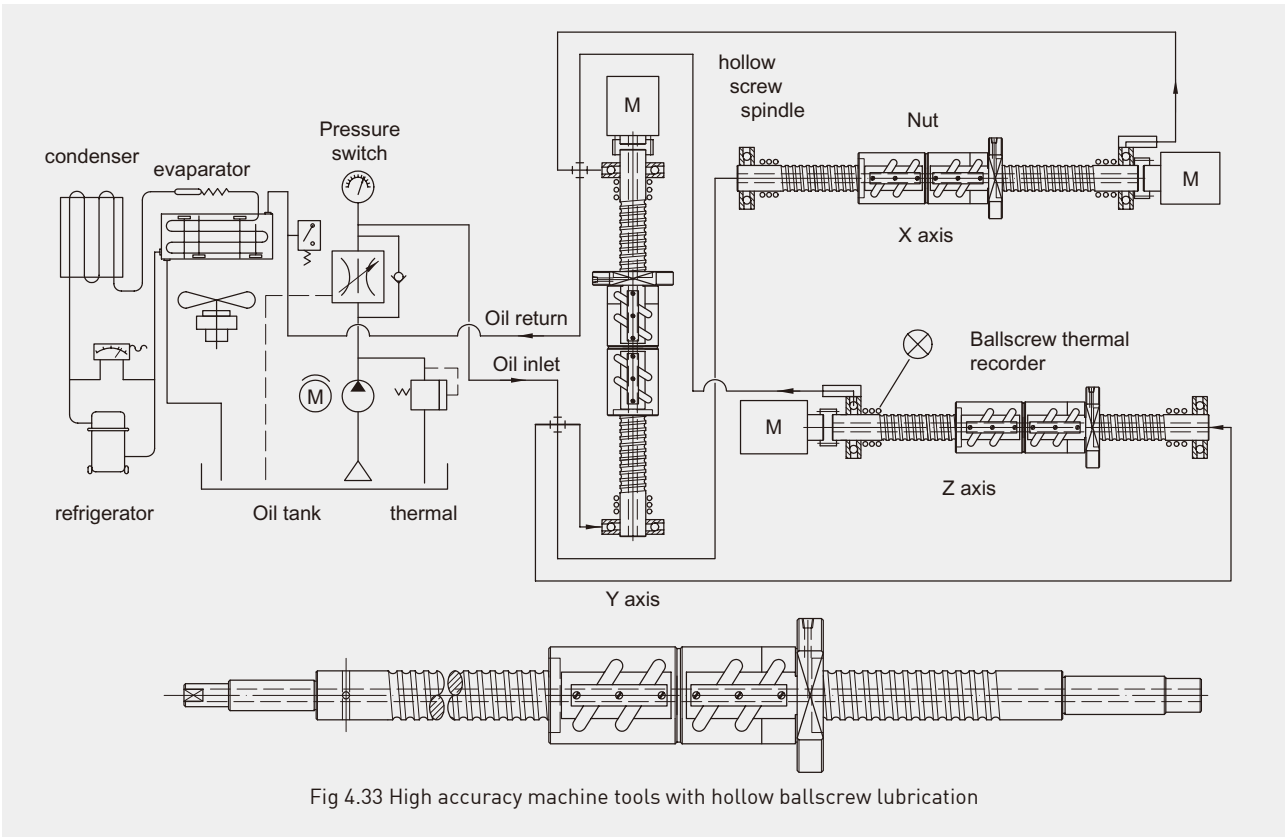


Fig 4.33 High accuracy machine tools with hollow ballscrew lubrication

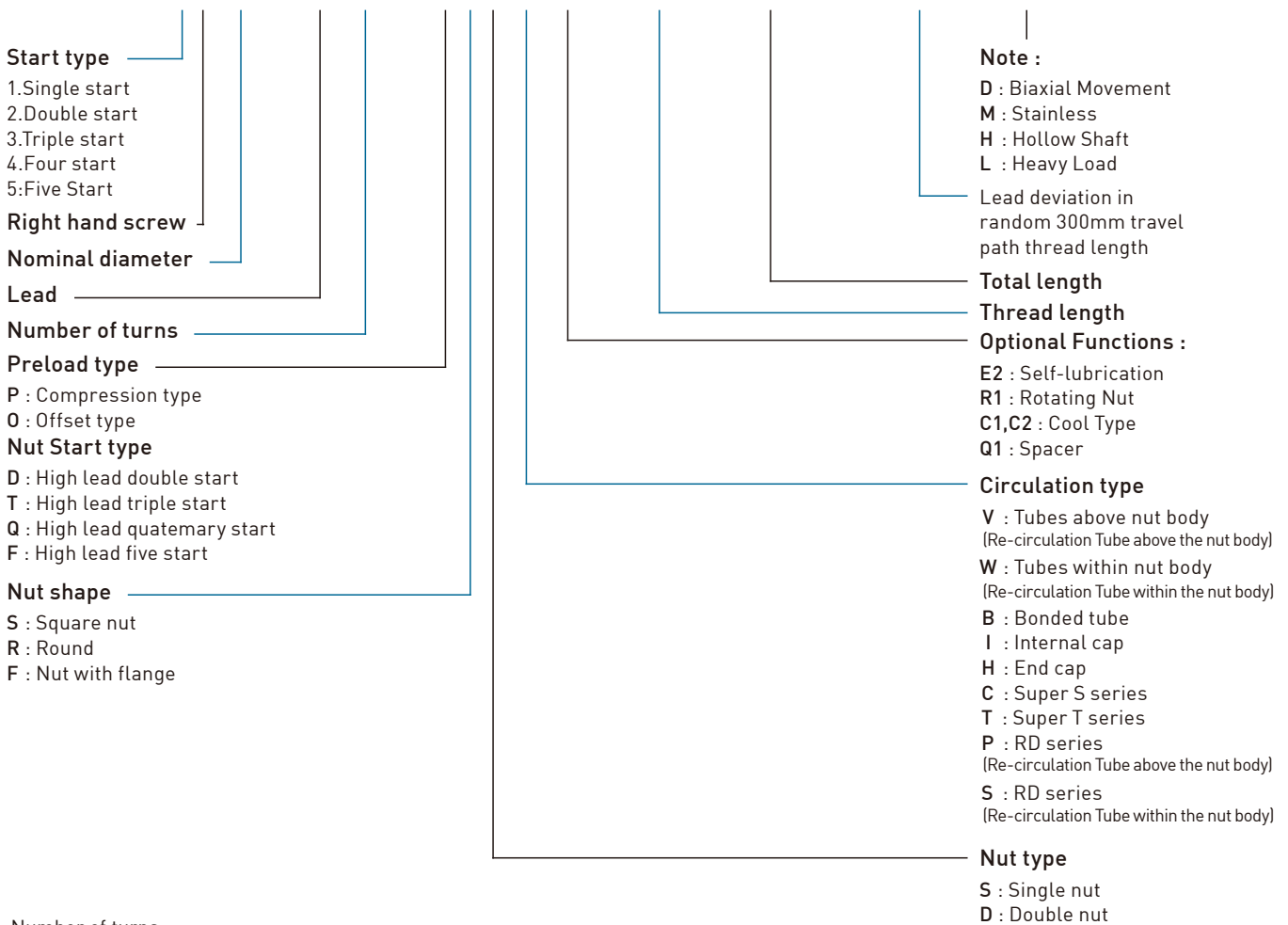
## 5. Specification Illustration

HIWIN manufactures ballscrews according to customers' blueprints or specifications. Please read the following information for an understanding of ballscrew design.

1. Nominal diameter.
2. Thread lead.
3. Thread length, total length.
4. End journal configuration.
5. Nut configuration
6. Accuracy grade (lead deviation, geometrical tolerance).
7. Working speed.
8. Maximum static load, working load, preload drag torque.
9. Nut safety requirements.
10. Lubrication hole position.

### HIWIN Ballscrew Nomenclature

**1R40 - 10B2 - PFDWE2 - 800 - 1000 - 0.0035 - M**



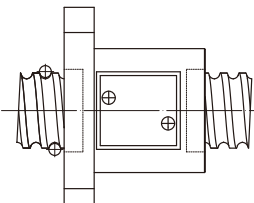
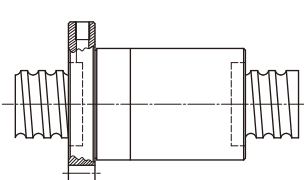
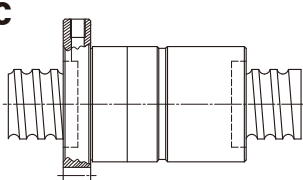
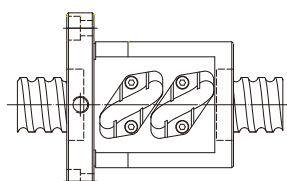
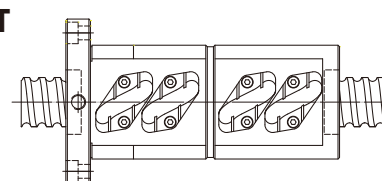
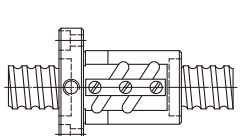
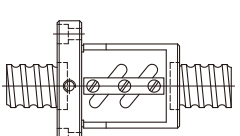
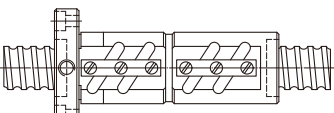
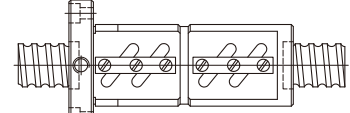
Number of turns

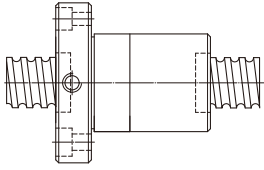
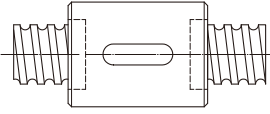
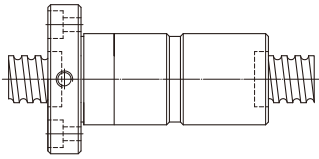
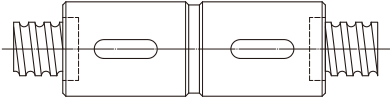
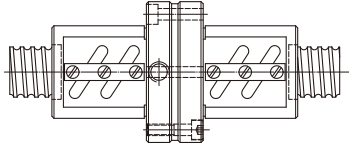
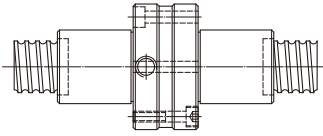
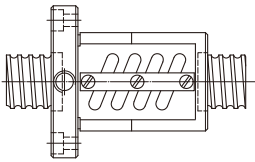
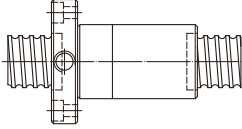
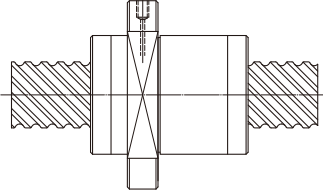
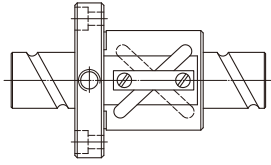
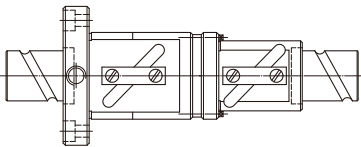
A : 1.5, B: 2.5, C: 3.5	T3 : 3	S1 : 1.8x1	U1 : 2.8x1	K2 : 2	X : 2.8, Y : 3.8, Z : 4.8
A2 : 1.5x2	T4 : 4	S2 : 1.8x2	U2 : 2.8x2	K3 : 3	X2 : 2.8x2
B2 : 2.5x2	T5 : 5	S4 : 1.8x4	V2 : 0.8x2	K4 : 4	Y2 : 3.8x2
C1 : 3.5x1	T6 : 6				Z2 : 4.8x2

- Note :
1. Different diameters and leads are available upon request.
  2. Right hand thread is standard, left hand thread is available upon request.
  3. Longer lengths are available upon request.
  4. Stainless steel is available upon request, please contact HIWIN engineer.
  5. Complete ballscrew Inquiry on page 197-198 and please contact HIWIN engineer.
  6. If you need to order DIN 69051 type, please mark "DIN".

## 6. Precision Ground Ballscrews

### 6.1 Ground Ballscrew Series

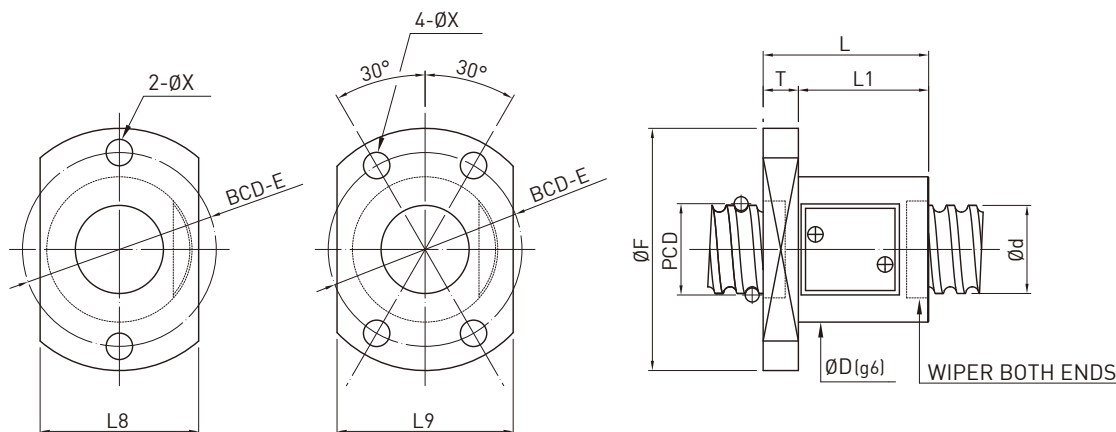
page	Super Z		page
42	<p><b>FSZ</b></p>  <p>(F)Flange end, (S)single nut, (Z)Super Z</p>		42
page	Super S		page
43 ? 44	<p><b>FSC</b></p>  <p>(F)Flange end, (S)single nut, (C)Super S</p>	<p><b>FDC</b></p>  <p>(F)Flange end, (D)double nut, (C)Super S</p>	45 ? 46
page	Super T		page
47 ? 50	<p><b>FST</b></p>  <p>(F)Flange end, (S)single nut, (T)Super T</p>	<p><b>FDT</b></p>  <p>(F)Flange end, (D)double nut, (T)Super T</p>	51 ? 54
page	General Type		page
55 ? 57	<p><b>FSV</b></p>  <p>(F)Flange end, (S)single nut, (V)tube above the nut diameter</p>	<p><b>FSW</b></p>  <p>(F)Flange end, (S)single nut, (W)tube within the nut diameter</p>	58 ? 60
61 ? 63	<p><b>FDV</b></p>  <p>(F)Flange end, (D)double nut, (V)tube above the nut diameter</p>	<p><b>FDW</b></p>  <p>(F)Flange end, (D)double nut, (W)tube within the nut diameter</p>	64 ? 66

page	General Type		page
67 ? 69	<p><b>FSI</b></p>  <p>(F)flange end, (S)single nut, (I)internal recirculation cap</p>	<p><b>RSI</b></p>  <p>(R)round, (S)single nut, (I)internal recirculation cap</p>	70 ? 71
72 ? 73	<p><b>FDI</b></p>  <p>(F)flange end, (D)double nut, (I)internal recirculation cap</p>	<p><b>RDI</b></p>  <p>(R)round, (D)double nut, (I)internal recirculation cap</p>	74 ? 75
76 ? 77	<p><b>PFDW -Type 1</b></p>  <p>(PF)flange to flange, (D)double nut, (W)tube within the nut diameter</p>	<p><b>PFDI</b></p>  <p>(PF)flange to flange, (D)double nut, (I)internal recirculation cap</p>	80 ? 81
82 ? 84	<p><b>OFSW</b></p>  <p>(O)offset pitch preload, (F)flange end, (S)single nut, (W)tube within the nut diameter</p>	<p><b>OFSI</b></p>  <p>(O)offset pitch preload, (F)flange end, (S)single nut, (I)internal recirculation cap</p>	85
page	High Lead Type		page
86	<p><b>FSH</b></p>  <p>Large lead, (F)flange mounted, (S)single nut, (H)end cap</p>	<p><b>DFSV</b></p>  <p>(D)double start, (F)flange end, (S)single nut, (V)tube above the nut diameter</p>	87
78 ? 79	<p><b>PFDW -Type 2</b></p>  <p>Large lead, (PF)flange end, compression preload, (D)double nut, (W)tube within nut diameter</p>		78 ? 79

\*Different designs require drawing approval. Please contact HIWIN engineers for types not listed above.

## 6.2 Dimensions for Precision Ground Ballscrews

### FSZ Type ◀ Standard Product



Model	Size		P.C.D.	RD	Ball Dia.	Circuits	Stiffness K (kgf/μm)	Dynamic Load C(kgf)	Static Load Co(kgf)	Nut			Flange				Bolt	
	Nominal Dia.	Lead								D	L	L1	F	T	BCD-E	L8		L9
6-2B1	6	2	6.2	4.638	1.5	2.6x1	9	220	340	15	20	16	29	4	23	17	18	3.4
8-2B1	8	2	8.2	6.638	1.5	2.6x1	11.9	250	460	16	20	16	31	4	24	18	18	3.4
9-3D1	9	3	9.2	7.136	2	4.6x1	23.9	620	1190	20	33	27	38	6	29	22	29	4.5
10-2B1	10	2	10.2	8.638	1.5	2.6x1	14	280	580	18	24.5	19.5	34	5	26	19	21	4.5
10-2.5B1	10	2.5	10.2	8.136	2	2.6x1	15.5	410	770	20	23	18	37	5	29	21	22	4.5
10-2.5C1	10	2.5	10.2	8.136	2	3.6x1	21.3	550	1070	20	25	20	37	5	29	21	22	4.5
10-3.6D1	10	3.6	10.25	7.792	2.381	4.6x1	27.2	820	1550	25	36	30	46	6	36	28	28	5.5
10-4B1	10	4	10.25	7.792	2.381	2.6x1	15.2	500	870	21	30	25	38	5	29	21	22	4.5
12-4B1	12	4	12.25	9.792	2.381	2.6x1	18.6	570	1100	22.5	30	25	40	5	32	22	24	4.5
12-4C1	12	4	12.25	9.792	2.381	3.6x1	25.4	750	1520	22.5	34	29	40	5	32	22	24	4.5
12-5B1	12	5	12.25	9.792	2.381	2.6x1	18.7	560	1090	22.5	33	27	40	6	32	27	27	4.5
14-4B1	14	4	14.25	11.792	2.381	2.6x1	20.3	600	1250	24.5	29	23	46	6	35	26	27	5.5
14-4C1	14	4	14.25	11.792	2.381	3.6x1	27.8	800	1730	24.5	33	27	46	6	35	26	27	5.5
16-2B1	16	2	16.2	14.638	1.5	2.6x1	18.6	340	940	23.5	24	18	45	6	34	26	27	5.5
16-5B1	16	5	16.6	13.324	3.175	2.6x1	24.1	950	1960	29	34	28	49	6	38	30	30	5.5
16-5C1	16	5	16.6	13.324	3.175	3.6x1	33	1260	2710	29	39	33	49	6	38	30	30	5.5
20-4B1	20	4	20.25	17.792	2.381	2.6x1	26.5	720	1850	30.5	34	24	58	10	47	44	44	5.5
20-4C1	20	4	20.25	17.792	2.381	3.6x1	36.1	950	2560	30.5	38	28	58	10	47	44	44	5.5
25-4B1	25	4	25.25	22.792	2.381	2.6x1	30.8	800	2370	35.5	34	24	58	10	47	44	44	6.6
25-4C1	25	4	25.25	22.792	2.381	3.6x1	42.1	1060	3280	35.5	38	28	58	10	47	44	44	6.6
32-4B1	32	4	32.25	29.792	2.381	2.6x1	35.2	880	3040	42.5	34	24	80	12	65	62	62	9
32-4C1	32	4	32.25	29.792	2.381	3.6x1	48.2	1170	4210	42.5	38	28	80	12	65	62	62	9

Note: Rigidity without preload: The axial load is calculated by 30% of dynamic load.



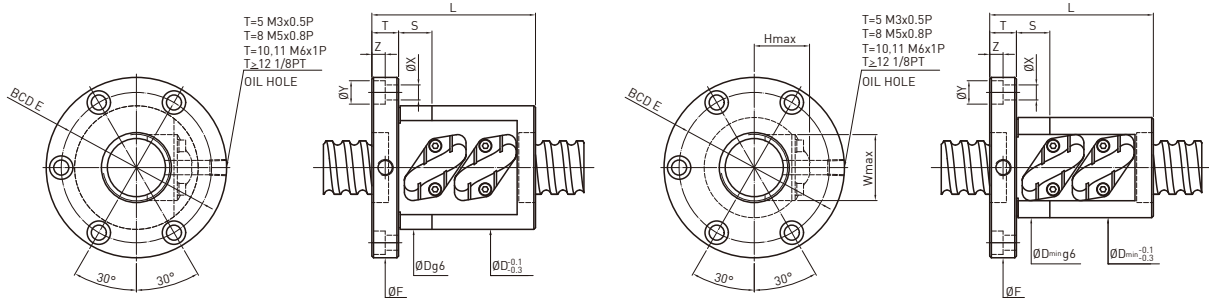








**FST Type** ◀ Standard Product



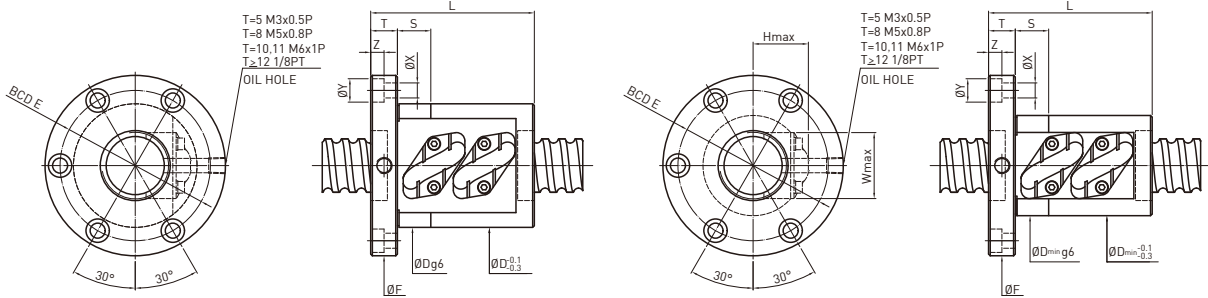
Re-circulation plate below the nut body

Re-circulation plate above the nut body

Model	Size		P.C.D.	RD	Ball Dia.	Circuits	Stiffness K (kgf/μm)	Dynamic Load C(kgf)	Static Load Co(kgf)	Nut			Flange			Return Tube		Bolt			Fit
	Nominal Dia.	Lead								D	D <sub>min</sub>	L	F	T	BCD-E	W	H	X	Y	Z	
R8-3A1	8	3	8.22	6.156	2	1.6x1	7.9	230	350	21	17	28	36	5	28	14	12	4.5	0	0	0
R8-5B1	8	5	8.22	6.156	2	2.6x1	11.5	360	600	24	18	37	44	8	34	15	13	4.5	8	4	0
R10-4B1	10	4	9.82	7.756	2	2.6x1	14	410	770	24	20	39	46	10	36	16	13	4.5	8	4	10
R10-5A1	10	5	10.02	7.956	2	1.6x1	10.1	270	470	23	19	30	46	10	36	15	13	4.5	8	4	10
R10-4B1	10	4	10.2	7.742	2.381	2.6x1	15.8	500	870	27	23	41	49	10	37	17	16	4.5	8	4	10
R12-5B1	12	5	12.1	9.642	2.381	2.6x1	18.9	560	1090	31	24	40	50	10	40	18	18	4.5	8	4	12
R12-6B1	12	6	12.1	9.642	2.381	2.6x1	18.9	560	1090	29	24	43	50	10	40	20	16	4.5	8	4	12
R12-10A1	12	10	12.08	9.622	2.381	1.6x1	11.5	360	650	30	24	42	50	10	40	17	17	4.5	8	4	12
R12-10B1	12	10	12.08	9.622	2.381	2.6x1	18.4	550	1070	31	25	50	50	10	40	19	18	4.5	8	4	12
R12-20A1	12	20	12.25	9.792	2.381	1.6x1	10.8	350	670	29	25	65	50	10	40	20	16	4.5	8	4	12
R14-4B1	14	4	14.25	11.792	2.381	2.6x1	20.7	600	1250	32	26	41	52	10	42	20	17	4.5	8	4	12
R15-5B1	15	5	15.6	12.324	3.175	2.6x1	23.3	920	1820	35	30	44	58	10	45	23	20	5.5	9.5	5.5	12
R15-10B1	15	10	15.64	12.364	3.175	2.6x1	23.2	900	1800	34	30	55	57	11	45	24	19	5.5	9.5	5.5	12
R15-20A1	15	20	15.675	12.399	3.175	1.6x1	13.9	570	1110	40	32	64	60	11	47	25	22	5.5	9.5	5.5	12
R15-30A1	15	30	15.6	12.324	3.175	1.6x1	13.1	560	1150	41	33	85	62	11	50	27	21	5.5	9.5	5.5	12
R16-5B1	16	5	16.6	12.324	3.175	2.6x1	24.5	950	1960	38	31	45	64	12	51	24	20	5.5	9.5	5.5	12
R16-5B2	16	5	16.6	12.324	3.175	2.6x2	47.7	1730	3920	38	31	60	64	12	51	24	20	5.5	9.5	5.5	12
R16-10B1	16	10	16.6	12.324	3.175	2.6x1	24.6	940	1930	39	31	60	64	12	51	23	21	5.5	9.5	5.5	12
R20-4B1	20	4	20.25	17.792	2.381	2.6x1	27.4	720	1850	40	36	42	68	12	55	26	22	5.5	9.5	5.5	12
R20-4B2	20	4	20.25	17.792	2.381	2.6x2	53.3	1310	3700	40	36	54	68	12	55	26	22	5.5	9.5	5.5	12
R20-5B1	20	5	20.6	17.324	3.175	2.6x1	29.3	1070	2490	42	37	45	68	12	55	26	23	5.5	9.5	5.5	12
R20-5B2	20	5	20.6	17.324	3.175	2.6x2	56.8	1950	4980	42	37	60	68	12	55	26	23	5.5	9.5	5.5	12
R20-40A1	20	40	20.36	17.084	3.175	1.6x1	22.1	630	1500	48	41	100	73	12	60	33	24	5.5	9.5	5.5	12
R20-10B1	20	10	20.8	16.744	3.969	2.6x1	32.7	1410	3040	46	40	54	72	12	59	30	25	5.5	9.5	5.5	12
R25-4B2	25	4	25.25	22.792	2.381	2.6x2	63.2	1450	4740	46	42	48	69	11	57	30	25	5.5	9.5	5.5	12
R25-5B2	25	5	25.57	22.294	3.175	2.6x2	67.4	2170	6310	49	44	60	74	12	62	33	25	5.5	9.5	5.5	12
R25-10B1	25	10	25.6	22.324	3.175	2.6x1	35.8	1180	3130	49	44	65	74	12	62	31	26	5.5	9.5	5.5	12
R25-12A1	25	12	25.8	21.744	3.969	1.6x1	24.8	1040	2370	55	47	48	78	11	64	33	29	6.6	11	6.5	12
R25-12B1	25	12	25.8	21.744	3.969	2.6x1	39.5	1590	3860	53	46	60	78	11	64	33	28	6.6	11	6.5	12
R25-12C1	25	12	25.8	21.744	3.969	3.6x1	53.9	2100	5350	53	46	72	78	11	64	33	28	6.6	11	6.5	12
R25-25A1	25	25	26.03	21.974	3.969	1.6x1	24.6	1030	2410	55	50	78	82	12	69	37	29	6.6	11	6.5	12
R25-8B1	25	8	26	21.132	4.763	2.6x1	40.6	2050	4700	57	48	56	86	15	73	34	30	6.6	11	6.5	12
R25-8B2	25	8	26	21.132	4.763	2.6x2	78.7	3730	9400	57	48	80	86	15	73	34	30	6.6	11	6.5	12
R25-10A2	25	10	26.1	21.232	4.763	1.6x2	49.7	2440	5770	55	49	75	86	15	73	35	30	6.6	11	6.5	12
R25-10B1	25	10	26.1	21.232	4.763	2.6x1	40.7	2040	4690	55	49	65	86	15	73	35	30	6.6	11	6.5	12
R25-10B2	25	10	26.1	21.232	4.763	2.6x2	79.7	3710	9380	55	49	97	86	15	73	35	30	6.6	11	6.5	12
R25-16B1	25	16	26	21.132	4.763	2.6x1	40.6	2010	4630	57	49	83	86	15	73	36	29	6.6	11	6.5	12
R25-20B1	25	20	26	21.132	4.763	2.6x1	40	1990	4590	55	48	95	86	15	73	35	29	6.6	11	6.5	12
R28-5B1	28	5	28.76	25.484	3.175	2.6x1	37.7	1250	3550	54	48	45	85	12	69	34	28	6.6	11	6.5	12
R28-5B2	28	5	28.76	25.484	3.175	2.6x2	73.3	2280	7100	54	48	60	85	12	69	34	28	6.6	11	6.5	12
R28-6B1	28	6	28.6	25.324	3.175	2.6x1	38.3	1250	3550	55	47	48	85	12	69	34	27	6.6	11	6.5	12
R28-6B2	28	6	28.6	25.324	3.175	2.6x2	74.4	2280	7100	55	47	63	85	12	69	34	27	6.6	11	6.5	12
R28-8B1	28	8	29	24.132	4.763	2.6x1	44.2	2170	5300	58	52	60	86	12	73	37	31	6.6	11	6.5	12
R28-8B2	28	8	29	24.132	4.763	2.6x2	85.8	3950	10600	58	52	83	86	12	73	37	31	6.6	11	6.5	12
R28-8C1	28	8	29	24.132	4.763	3.6x1	60.3	2880	7340	58	52	65	86	12	73	37	31	6.6	11	6.5	12
R28-8C2	28	8	29	24.132	4.763	3.6x2	117.1	5230	14680	58	52	97	86	12	73	37	31	6.6	11	6.5	12
R28-10B1	28	10	29	24.132	4.763	2.6x1	44.7	2170	5290	60	53	64	88	12	75	39	32	6.6	11	6.5	12
R28-10B2	28	10	29	24.132	4.763	2.6x2	86.7	3940	10580	60	53	94	88	12	75	39	32	6.6	11	6.5	12

Note: Rigidity without preload: The axial load is calculated by 30% of dynamic load.

**FST Type** ◀ Standard Product



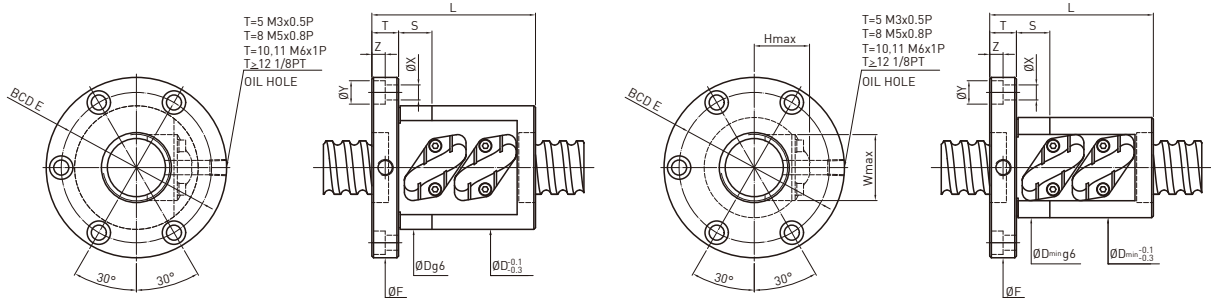
Re-circulation plate below the nut body

Re-circulation plate above the nut body

Model	Size		P.C.D.	RD	Ball Dia.	Circuits	Stiffness K (kgf/μm)	Dynamic Load C(kgf)	Static Load Co(kgf)	Nut			Flange			Return Tube		Bolt			Fit
	Nominal Dia.	Lead								D	D <sub>min</sub>	L	F	T	BCD-E	W	H	X	Y	Z	
R28-12C2	28	12	29	24.132	4.763	3.6x2	118.7	5200	14610	60	52	125	86	12	73	37	32	6.6	11	6.5	12
R28-16B2	28	16	29.4	22.91	6.35	2.6x2	87.6	5520	13440	66	56	128	94	12	80	39	35	6.6	11	6.5	12
R32-4B2	32	4	32.25	29.792	2.381	2.6x2	74.4	1600	6080	54	50	55	84	12	71	35	27	6.6	11	6.5	12
R32-5B2	32	5	32.4	29.124	3.175	2.6x2	80.3	2420	8160	57	52	60	84	12	71	34	29	6.6	11	6.5	12
R32-6B2	32	6	32.94	28.884	3.969	2.6x2	90.8	3310	10270	60	56	63	88	12	75	39	31	6.6	11	6.5	12
R32-10B2	32	10	32.62	28.564	3.969	2.6x2	93.8	3300	10230	58	54	87	84	12	71	38	31	6.6	11	6.5	12
R32-8B2	32	8	33.16	28.292	4.763	2.6X2	92.3	4130	11820	62	58	86	96	16	78	40	33	9	14	8.5	15
R32-10B2	32	10	33	28.132	4.763	2.6X2	93.3	4120	11800	60	57	95	96	16	78	39	33	9	14	8.5	15
R32-12B2	32	12	33	28.132	4.763	2.6X2	93.9	4110	11770	61	57	105	96	16	78	39	33	9	14	8.5	15
R32-20B1	32	20	33	28.132	4.763	2.6X1	50.3	2300	6090	64	57	100	102	16	84	40	34	9	14	8.5	15
R32-25B1	32	25	33.1	28.232	4.763	2.6X1	49.6	2270	6030	63	58	110	102	16	84	41	32	9	14	8.5	15
R32-10A2	32	10	33.4	26.91	6.35	1.6x2	61.3	3980	9650	68	62	80	102	16	84	43	36	9	14	8.5	15
R32-10B2	32	10	33.4	26.91	6.35	2.6x2	97.6	6040	15690	70	61	98	108	16	90	43	36	9	14	8.5	15
R32-10C1	32	10	33.4	26.91	6.35	3.6x1	68.7	4400	10860	70	60	78	108	16	90	42	37	9	14	8.5	15
R32-12A2	32	12	33.4	26.91	6.35	1.6x2	61.7	3970	9630	68	60	97	108	18	90	42	35	9	14	8.5	15
R32-12B2	32	12	33.4	26.91	6.35	2.6x2	97.9	6020	15660	66	60	110	108	18	90	42	35	9	14	8.5	15
R32-12C1	32	12	33.4	26.91	6.35	3.6x1	69	4390	10840	69	61	98	108	18	90	43	36	9	14	8.5	15
R32-16B1	32	16	33.4	26.91	6.35	2.6x1	50.7	3290	7790	71	61	94	108	16	90	44	37	9	14	8.5	15
R32-16B2	32	16	33.4	26.91	6.35	2.6x2	98.4	5980	15580	71	61	130	108	16	90	44	37	9	14	8.5	15
R32-16C1	32	16	33.4	26.91	6.35	3.6x1	69.2	4360	10790	71	61	100	108	16	90	44	37	9	14	8.5	15
R32-20B1	32	20	33.4	26.91	6.35	2.6x1	50.4	3270	7740	68	60	98	108	16	90	42	36	9	14	8.5	15
R32-12B2	32	12	33.6	26.299	7.144	2.6x2	97.9	6900	17180	74	64	115	108	16	90	44	39	9	14	8.5	15
R32-12C1	32	12	33.6	26.299	7.144	3.6x1	68.8	5020	11900	74	64	95	108	16	90	44	39	9	14	8.5	15
R32-15B2	32	15	33.6	26.299	7.144	2.6x2	98.1	6860	17120	74	65	130	108	16	90	46	39	9	14	8.5	15
R32-16B2	32	16	33.6	26.299	7.144	2.6x2	98	6850	17100	74	65	139	108	16	90	45	39	9	14	8.5	15
R36-6B2	36	6	36.8	32.744	3.969	2.6x2	98.1	3470	11510	65	60	68	100	12	82	43	33	6.6	11	6.5	12
R36-10B2	36	10	37.45	30.96	6.35	2.6x2	106.9	6430	17810	72	65	102	125	18	98	45	38	11	17.5	11	15
R36-16A2	36	16	37.4	30.91	6.35	1.6x2	68.3	4210	10900	74	66	105	120	18	98	47	38	11	17.5	11	15
R36-16B2	36	16	37.4	30.91	6.35	2.6x2	108.6	6390	17720	74	66	140	120	18	98	47	38	11	17.5	11	15
R36-20B1	36	20	37.4	30.91	6.35	2.6x1	55.9	3490	8810	76	66	100	120	18	98	47	39	11	17.5	11	15
R40-8A2	40	8	41	36.132	4.763	1.6x2	70.3	3070	9460	75	70	70	108	16	90	47	38	9	14	8.5	15
R40-8B2	40	8	41	36.132	4.763	2.6x2	111.9	4670	15380	74	72	86	108	16	90	50	38	9	14	8.5	15
R40-8C2	40	8	41	36.132	4.763	3.6x2	152.9	6180	21300	74	70	100	108	16	90	47	38	9	14	8.5	15
R40-10B2	40	10	41	36.132	4.763	2.6x2	113.3	4660	15360	72	66	100	108	16	90	46	37	9	14	8.5	15
R40-16B2	40	16	41	36.132	4.763	2.6x2	115.5	4630	15290	72	69	134	108	16	90	48	37	9	14	8.5	15
R40-10B2	40	10	41.4	34.91	6.35	2.6x2	116	6790	19940	78	74	102	125	18	104	53	41	11	17.5	11	15
R40-10C1	40	10	41.4	34.91	6.35	3.6x1	81.7	4950	13800	79	70	82	125	18	104	48	41	11	17.5	11	15
R40-12B2	40	12	41.4	34.91	6.35	2.6x2	117.2	6780	19910	78	70	117	128	18	106	48	41	11	17.5	11	15
R40-12C2	40	12	41.4	34.91	6.35	3.6x2	160	8970	27570	78	71	141	128	18	106	50	40	11	17.5	11	15
R40-16B2	40	16	41.49	35	6.35	2.6x2	118.5	6750	19850	81	73	139	128	18	106	48	41	11	17.5	11	15
R40-20A1	40	20	41.4	34.91	6.35	1.6x1	38.4	2430	6080	80	72	84	128	18	106	49	42	11	17.5	11	15
R40-20A2	40	20	41.4	34.91	6.35	1.6x2	74.5	4420	12160	80	72	124	128	18	106	49	42	11	17.5	11	15
R40-20B1	40	20	41.4	34.91	6.35	2.6x1	61.6	3700	9880	80	71	104	128	18	106	49	42	11	17.5	11	15
R40-20B2	40	20	41.4	34.91	6.35	2.6x2	118.5	6710	19760	80	71	161	128	18	106	49	42	11	17.5	11	15
R40-20C1	40	20	41.4	34.91	6.35	3.6x1	83.4	4890	13680	80	71	121	128	18	106	49	42	11	17.5	11	15
R40-25A1	40	25	41.4	34.91	6.35	1.6x1	38.2	2410	6040	78	73	90	128	18	106	52	40	11	17.5	11	15
R40-25B1	40	25	41.4	34.91	6.35	2.6x1	60.7	3670	9820	78	73	115	128	18	106	52	40	11	17.5	11	15
R40-10A2	40	10	41.6	34.299	7.144	1.6x2	74.6	5250	13870	82	73	82	128	18	106	51	42	11	17.5	11	20

Note: Rigidity without preload: The axial load is calculated by 30% of dynamic load.

**FST Type** ◀ Standard Product



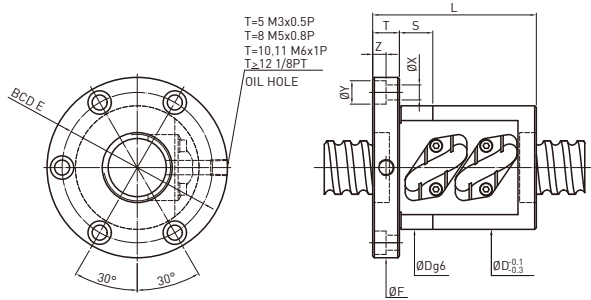
Re-circulation plate below the nut body

Re-circulation plate above the nut body

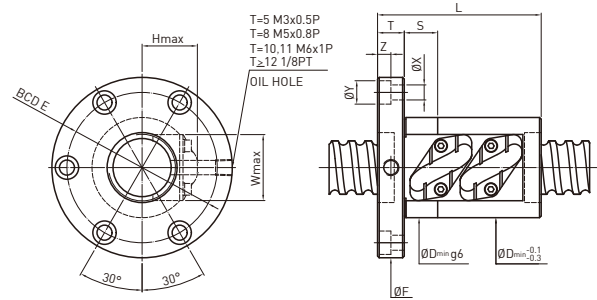
Model	Size		P.C.D.	RD	Ball Dia.	Circuits	Stiffness K (kgf/μm)	Dynamic Load C(kgf)	Static Load Co(kgf)	Nut			Flange			Return Tube		Bolt			Fit
	Nominal Dia.	Lead								D	D <sub>min</sub>	L	F	T	BCD-E	W	H	X	Y	Z	
R40-10B2	40	10	41.6	34.299	7.144	2.6x2	118.8	7980	22550	82	73	102	128	18	106	51	42	11	17.5	11	20
R40-10C2	40	10	41.6	34.299	7.144	3.6x2	162.2	10550	31220	82	73	122	128	18	106	51	42	11	17.5	11	20
R40-12A2	40	12	41.6	34.299	7.144	1.6x2	75.3	5240	13860	80	73	93	128	18	106	52	42	11	17.5	11	20
R40-12B1	40	12	41.6	34.299	7.144	2.6x1	61.7	4390	11260	79	74	81	128	18	106	52	42	11	17.5	11	20
R40-12B2	40	12	41.6	34.299	7.144	2.6x2	119.7	7960	22520	79	74	117	128	18	106	52	42	11	17.5	11	20
R40-12C1	40	12	41.6	34.299	7.144	3.6x1	84.2	5800	15590	79	74	93	128	18	106	52	41	11	17.5	11	20
R40-12C2	40	12	41.6	34.299	7.144	3.6x2	163.4	10540	31180	79	74	141	128	18	106	52	41	11	17.5	11	20
R40-16A2	40	16	41.6	34.299	7.144	1.6x2	76.1	5220	13810	81	73	118	128	18	106	49	42	11	17.5	11	20
R40-16B1	40	16	41.6	34.299	7.144	2.6x1	62.4	4370	11220	81	72	102	128	18	106	49	42	11	17.5	11	20
R40-16B2	40	16	41.6	34.299	7.144	2.6x2	121	7930	22450	81	72	145	128	18	106	49	42	11	17.5	11	20
R40-16C1	40	16	41.6	34.299	7.144	3.6x1	85.1	5780	15540	81	73	118	128	18	106	49	42	11	17.5	11	20
R40-20A2	40	20	41.6	34.299	7.144	1.6x2	76.2	5190	13750	82	74	124	128	18	106	52	42	11	17.5	11	20
R40-20B1	40	20	41.6	34.299	7.144	2.6x1	62.5	4340	11170	82	74	104	128	18	106	52	42	11	17.5	11	20
R40-20B2	40	20	41.6	34.299	7.144	2.6x2	121.2	7890	22350	82	74	161	128	18	106	52	42	11	17.5	11	20
R40-20C1	40	20	41.6	34.299	7.144	3.6x1	85.3	5750	15470	82	74	121	128	18	106	52	42	11	17.5	11	20
R40-25A1	40	25	41.6	34.299	7.144	1.6x1	39.1	2840	6830	83	73	90	128	18	106	51	43	11	17.5	11	20
R40-25B1	40	25	41.6	34.299	7.144	2.6x1	62.2	4310	11100	83	73	115	128	18	106	51	43	11	17.5	11	20
R45-5B2	45	5	45.6	42.324	3.175	2.6x2	100.6	2780	11610	72	68	65	108	16	90	45	37	9	14	8.5	15
R45-8B2	45	8	46	41.132	4.763	2.6x2	120.4	4880	17180	80	75	84	116	16	98	50	39	9	14	8.5	15
R45-10B1	45	10	46.4	39.91	6.35	2.6x1	66.5	4020	11540	84	77	74	132	18	110	53	44	11	17.5	11	15
R45-10B2	45	10	46.4	39.91	6.35	2.6x2	129.1	7300	23090	84	77	104	132	18	110	53	44	11	17.5	11	15
R45-12A2	45	12	46.4	39.91	6.35	1.6x2	75.3	4800	14190	85	78	86	132	18	110	53	43	11	17.5	11	15
R45-16A2	45	16	46.4	39.91	6.35	1.6x2	83.2	4780	14160	84	78	102	132	18	110	53	43	11	17.5	11	15
R45-20B2	45	20	46.4	39.91	6.35	2.6x2	132.9	7230	22930	84	78	162	132	18	110	53	44	11	17.5	11	15
R45-20C1	45	20	46.4	39.91	6.35	3.6x1	93.5	5270	15870	84	78	120	132	18	110	53	44	11	17.5	11	15
R45-12B2	45	12	46.6	39.299	7.144	2.6x2	130	8390	25230	87	80	115	132	18	110	55	45	11	17.5	11	20
R45-25A1	45	25	46.6	39.299	7.144	1.6x1	42.8	3000	7670	90	82	90	132	18	110	58	47	11	17.5	11	20
R45-25B1	45	25	46.6	39.299	7.144	2.6x1	68.1	4550	12470	90	82	115	132	18	110	58	47	11	17.5	11	20
R45-25C1	45	25	46.6	39.299	7.144	3.6x1	93	6030	17270	90	82	140	132	18	110	58	47	11	17.5	11	20
R45-12B2	45	12	46.8	38.688	7.938	2.6x2	131.7	9620	27850	92	84	123	142	22	117	58	47	13	20	13	20
R45-20B2	45	20	46.8	38.688	7.938	2.6x2	133.7	9550	27690	91	80	175	142	22	117	55	47	13	20	13	20
R45-25B1	45	25	46.8	38.688	7.938	2.6x1	68.9	5220	13770	93	81	124	142	22	117	55	48	13	20	13	20
R50-8B2	50	8	51	46.132	4.763	2.6x2	127.8	5070	18980	83	80	88	128	18	107	55	41	11	17.5	11	15
R50-8B3	50	8	51	46.132	4.763	2.6x3	188.5	7180	28470	83	80	112	128	18	107	55	41	11	17.5	11	15
R50-12B1	50	12	51	46.132	4.763	2.6x1	68.4	2780	9470	85	82	74	128	18	107	57	43	11	17.5	11	15
R50-10B2	50	10	51.4	44.91	6.35	2.6x2	136.9	7550	25240	90	85	104	135	18	114	57	47	11	17.5	11	15
R50-20B2	50	20	51.4	44.91	6.35	2.6x2	141.9	7490	25100	90	83	162	135	18	114	55	46	11	17.5	11	15
R50-25B2	50	25	51.6	44.299	7.144	2.6x2	143	8670	27680	95	90	191	140	18	118	64	47	11	17.5	11	15
R50-12B1	50	12	51.8	43.688	7.938	2.6x1	73.4	5590	15580	96	90	87	150	22	125	62	50	13	20	13	20
R50-12B2	50	12	51.8	43.688	7.938	2.6x2	142.5	10150	31170	96	90	123	150	22	125	62	50	13	20	13	20
R50-16A2	50	16	51.8	43.688	7.938	1.6x2	91	6670	19140	96	89	113	150	22	125	61	50	13	20	13	20
R50-16B2	50	16	51.8	43.688	7.938	2.6x2	144.8	10120	31100	97	88	152	150	22	125	61	50	13	20	13	20
R50-16C2	50	16	51.8	43.688	7.938	3.6x2	197.5	13390	43070	96	89	184	150	22	125	61	50	13	20	13	20
R50-20A2	50	20	51.8	43.688	7.938	1.6x2	91.6	6640	19090	98	91	134	150	22	125	63	50	13	20	13	20
R50-20B2	50	20	51.8	43.688	7.938	2.6x2	145.7	10090	31020	97	89	165	150	22	125	62	50	13	20	13	20
R50-20C1	50	20	51.8	43.688	7.938	3.6x1	102.6	7350	21470	98	91	130	150	22	125	63	50	13	20	13	20
R50-25B2	50	25	51.8	43.688	7.938	2.6x2	145.7	10030	30890	99	88	193	150	22	125	60	49	13	20	13	20
R50-20B2	50	20	52.2	42.466	9.525	2.6x2	152.7	13500	37530	99	93	175	152	28	128	67	51	13	20	13	30

Note: Rigidity without preload: The axial load is calculated by 30% of dynamic load.

**FST Type** ◀ Standard Product



Re-circulation plate below the nut body

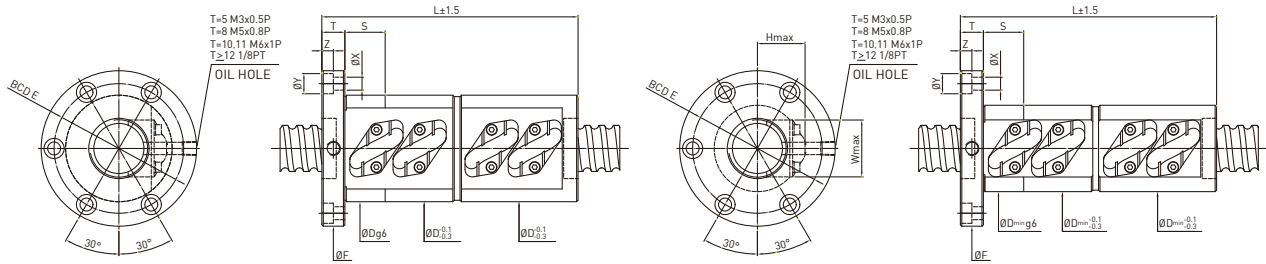


Re-circulation plate above the nut body

Model	Size		P.C.D.	RD	Ball Dia.	Circuits	Stiffness K (kgf/μm)	Dynamic Load C(kgf)	Static Load Co(kgf)	Nut			Flange			Return Tube		Bolt			Fit
	Nominal Dia.	Lead								D	D <sub>min</sub>	L	F	T	BCD-E	W	H	X	Y	Z	
R55-10B2	55	10	56.46	49.97	6.35	2.6x2	144.2	7790	27390	95	92	103	144	18	122	62	48	11	17.5	11	20
R55-20B2	55	20	56.6	49.299	7.144	2.6x2	157.8	9330	31780	96	93	165	144	18	122	64	49	11	17.5	11	20
R55-24A1	55	24	56.6	49.299	7.144	1.6x1	51.5	3370	9750	99	93	94	144	18	122	64	50	11	17.5	11	20
R55-24A2	55	24	56.6	49.299	7.144	1.6x2	99.8	6120	19500	99	93	142	144	18	122	64	50	11	17.5	11	20
R55-24B2	55	24	56.6	49.299	7.144	2.6x2	158.7	9290	31690	99	93	189	144	18	122	64	50	11	17.5	11	20
R60-24A2	60	24	62.2	52.466	9.525	1.6x2	108.7	9285	27490	113	104	150	170	22	145	71	58	13	20	13	20
R60-32C1	60	32	62.2	52.466	9.525	3.6x1	123.8	10731	30750	114	105	180	170	22	145	72	57	13	20	13	20
R63-8B2	63	8	64	59.132	4.763	2.6x2	151.3	5610	24340	102	98	100	146	18	124	66	49	11	17.5	11	20
R63-10B2	63	10	64.4	57.91	6.35	2.6x2	159.4	8270	31630	107	103	107	152	20	130	71	52	11	17.5	11	20
R63-10B3	63	10	64.4	57.91	6.35	2.6x3	235.1	11720	47440	107	103	137	152	20	130	71	52	11	17.5	11	20
R63-12B2	63	12	64.8	56.688	7.938	2.6x2	167.5	11270	39470	110	106	124	166	22	141	71	57	13	20	13	20
R63-32B1	63	32	64.8	56.688	7.938	2.6x1	90.2	6120	19530	113	107	145	166	22	141	76	55	13	20	13	20
R63-16B2	63	16	65.2	55.466	9.525	2.6x2	178.6	14861	47240	122	114	153	172	22	147	82	60	13	20	13	20
R63-20B2	63	20	65.2	55.466	9.525	2.6x2	180.3	14861	47160	118	111	176	172	22	147	77	60	13	20	13	20
R63-25B2	63	25	65.2	55.466	9.525	2.6x2	181.7	14861	47040	118	110	200	172	22	147	76	59	13	20	13	20
R63-32A2	63	32	65.2	55.466	9.525	1.6x2	113.9	9629	28810	115	107	180	172	22	147	73	58	13	20	13	20
R70-32B1	70	32	71.8	63.688	7.938	2.6x1	99.2	6470	22020	125	119	150	178	22	152	85	62	13	20	13	20
R80-16B2	80	16	82.2	72.466	9.525	2.6x2	214.2	16483	61530	142	136	156	210	28	174	97	68	18	26	17.5	25
R80-16B3	80	16	82.2	72.466	9.525	2.6x3	315.9	23361	92300	142	136	204	210	28	174	97	68	18	26	17.5	25
R80-24B2	80	24	82.2	72.466	9.525	2.6x2	219	16483	61380	134	130	209	210	28	174	86	67	18	26	17.5	25
R80-32B2	80	32	82.2	72.466	9.525	2.6x2	222.5	16483	61180	142	137	250	210	28	174	98	68	18	26	17.5	25

Note: Rigidity without preload: The axial load is calculated by 30% of dynamic load.

**FDT Type** ◀ Standard Product



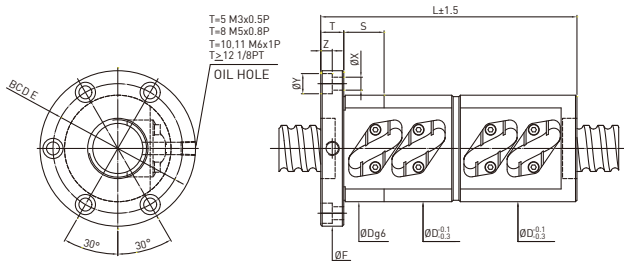
Re-circulation plate below the nut body

Re-circulation plate above the nut body

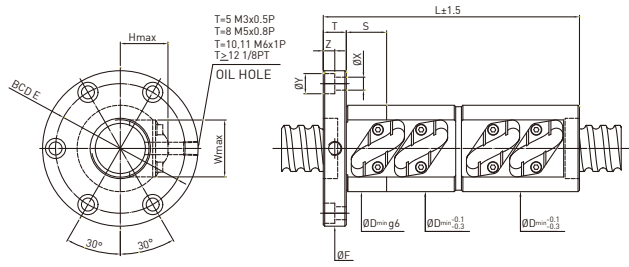
Model	Size		P.C.D.	RD	Ball Dia.	Circuits	Stiffness K (kgf/μm)	Dynamic Load C(kgf)	Static Load Col(kgf)	Nut			Flange		Return Tube		Bolt			Fit	
	Nominal Dia.	Lead								D	D <sub>min</sub>	L	F	T	BCD-E	W	H	X	Y		Z
R8-3A1	8	3	8.22	6.156	2	1.6x1	10.4	230	350	21	17	57	36	5	28	14	12	4.5	0	0	0
R8-5B1	8	5	8.22	6.156	2	2.6x1	15.1	360	600	24	18	74	44	8	34	15	13	4.5	8	4	0
R10-4B1	10	4	9.82	7.756	2	2.6x1	18.4	410	770	24	20	73	46	10	36	16	13	4.5	8	4	20
R10-5A1	10	5	10.02	7.956	2	1.6x1	13.2	270	470	23	19	57	46	10	36	15	13	4.5	8	4	20
R10-4B1	10	4	10.2	7.742	2.381	2.6x1	18.4	500	870	27	23	80	49	10	37	17	16	4.5	8	4	20
R12-5B1	12	5	12.1	9.642	2.381	2.6x1	24.8	560	1090	31	24	78	50	10	40	18	18	4.5	8	4	24
R12-6B1	12	6	12.1	9.642	2.381	2.6x1	24.8	560	1090	29	24	82	50	10	40	20	16	4.5	8	4	24
R12-10A1	12	10	12.08	9.622	2.381	1.6x1	15.1	360	650	30	24	85	50	10	40	17	17	4.5	8	4	24
R12-10B1	12	10	12.08	9.622	2.381	2.6x1	24.1	550	1070	31	25	103	50	10	40	19	18	4.5	8	4	24
R12-20A1	12	20	12.25	9.792	2.381	1.6x1	14.2	350	670	29	25	128	50	10	40	20	16	4.5	8	4	24
R14-4B1	14	4	14.25	11.792	2.381	2.6x1	27.3	600	1250	32	26	80	52	10	42	20	17	4.5	8	4	24
R15-5B1	15	5	15.6	12.324	3.175	2.6x1	30.7	920	1820	35	30	88	58	10	45	23	20	5.5	9.5	5.5	24
R15-10B1	15	10	15.64	12.364	3.175	2.6x1	30.5	900	1800	34	30	109	57	11	45	24	19	5.5	9.5	5.5	24
R15-20A1	15	20	15.675	12.399	3.175	1.6x1	18.2	570	1110	40	32	128	60	11	47	25	22	5.5	9.5	5.5	24
R15-30A1	15	30	15.6	12.324	3.175	1.6x1	17.1	560	1150	41	33	179	62	11	50	27	21	5.5	9.5	5.5	24
R16-5B1	16	5	16.6	12.324	3.175	2.6x1	32.4	950	1960	38	31	89	64	12	51	24	20	5.5	9.5	5.5	24
R16-5B2	16	5	16.6	12.324	3.175	2.6x2	62.9	1730	3920	38	31	119	64	12	51	24	20	5.5	9.5	5.5	24
R16-10B1	16	10	16.6	12.324	3.175	2.6x1	32.3	940	1930	39	31	124	64	12	51	23	21	5.5	9.5	5.5	24
R20-4B1	20	4	20.25	17.792	2.381	2.6x1	36.3	720	1850	40	36	81	68	12	55	26	22	5.5	9.5	5.5	24
R20-4B2	20	4	20.25	17.792	2.381	2.6x2	70.6	1310	3700	40	36	105	68	12	55	26	22	5.5	9.5	5.5	24
R20-5B1	20	5	20.6	17.324	3.175	2.6x1	38.7	1070	2490	42	37	89	68	12	55	26	23	5.5	9.5	5.5	24
R20-5B2	20	5	20.6	17.324	3.175	2.6x2	75.1	1950	4980	42	37	119	68	12	55	26	23	5.5	9.5	5.5	24
R20-40A1	20	40	20.36	17.084	3.175	1.6x1	20.9	630	1500	48	41	224	73	12	60	33	24	5.5	9.5	5.5	24
R20-10B1	20	10	20.8	16.744	3.969	2.6x1	43	1410	3040	46	40	108	72	12	59	30	25	5.5	9.5	5.5	24
R25-4B2	25	4	25.25	22.792	2.381	2.6x2	84	1450	4740	46	42	91	69	11	57	30	25	5.5	9.5	5.5	24
R25-5B2	25	5	25.57	22.294	3.175	2.6x2	89.2	2170	6310	49	44	119	74	12	62	33	25	5.5	9.5	5.5	24
R25-10B1	25	10	25.6	22.324	3.175	2.6x1	47.1	1180	3130	49	44	129	74	12	62	31	26	5.5	9.5	5.5	24
R25-12A1	25	12	25.8	21.744	3.969	1.6x1	32.6	1040	2370	55	47	100	78	11	64	33	29	6.6	11	6.5	24
R25-12B1	25	12	25.8	21.744	3.969	2.6x1	52	1590	3860	53	46	124	78	11	64	33	28	6.6	11	6.5	24
R25-12C1	25	12	25.8	21.744	3.969	3.6x1	70.9	2100	5350	53	46	148	78	11	64	33	28	6.6	11	6.5	24
R25-25A1	25	25	26.03	21.974	3.969	1.6x1	32.3	1030	2410	55	50	157	82	12	69	37	29	6.6	11	6.5	24
R25-8B1	25	8	26	21.132	4.763	2.6x1	53.5	2050	4700	57	48	109	86	15	73	34	30	6.6	11	6.5	24
R25-8B2	25	8	26	21.132	4.763	2.6x2	103.9	3730	9400	57	48	157	86	15	73	34	30	6.6	11	6.5	24
R25-10A2	25	10	26.1	21.232	4.763	1.6x2	65.5	2440	5770	55	49	150	86	15	73	35	30	6.6	11	6.5	24
R25-10B1	25	10	26.1	21.232	4.763	2.6x1	47.1	2040	4690	55	49	130	86	15	73	35	30	6.6	11	6.5	24
R25-10B2	25	10	26.1	21.232	4.763	2.6x2	104.2	3710	9380	55	49	192	86	15	73	35	30	6.6	11	6.5	24
R25-16B1	25	16	26	21.132	4.763	2.6x1	53.3	2010	4630	57	49	168	86	15	73	36	29	6.6	11	6.5	24
R25-20B1	25	20	26	21.132	4.763	2.6x1	52.5	1990	4590	55	48	200	86	15	73	35	29	6.6	11	6.5	24
R28-5B1	28	5	28.76	25.484	3.175	2.6x1	50	1250	3550	54	48	89	85	12	69	34	28	6.6	11	6.5	24
R28-5B2	28	5	28.76	25.484	3.175	2.6x2	97.2	2280	7100	54	48	119	85	12	69	34	28	6.6	11	6.5	24
R28-6B1	28	6	28.6	25.324	3.175	2.6x1	50.7	1250	3550	55	47	94	85	12	69	34	27	6.6	11	6.5	24
R28-6B2	28	6	28.6	25.324	3.175	2.6x2	98.5	2280	7100	55	47	127	85	12	69	34	27	6.6	11	6.5	24
R28-8B1	28	8	29	24.132	4.763	2.6x1	58.4	2170	5300	58	52	121	86	12	73	37	31	6.6	11	6.5	24
R28-8B2	28	8	29	24.132	4.763	2.6x2	113.3	3950	10600	58	52	168	86	12	73	37	31	6.6	11	6.5	24
R28-8C1	28	8	29	24.132	4.763	3.6x1	79.7	2880	7340	58	52	134	86	12	73	37	31	6.6	11	6.5	24
R28-8C2	28	8	29	24.132	4.763	3.6x2	154.7	5230	14680	58	52	198	86	12	73	37	31	6.6	11	6.5	24
R28-10B1	28	10	29	24.132	4.763	2.6x1	58.9	2170	5290	60	53	129	88	12	75	39	32	6.6	11	6.5	24
R28-10B2	28	10	29	24.132	4.763	2.6x2	114.3	3940	10580	60	53	189	88	12	75	39	32	6.6	11	6.5	24

Note: Rigidity with preload: The axial load is calculated by 10% of dynamic load.

**FDT Type** ◀ Standard Product



Re-circulation plate below the nut body



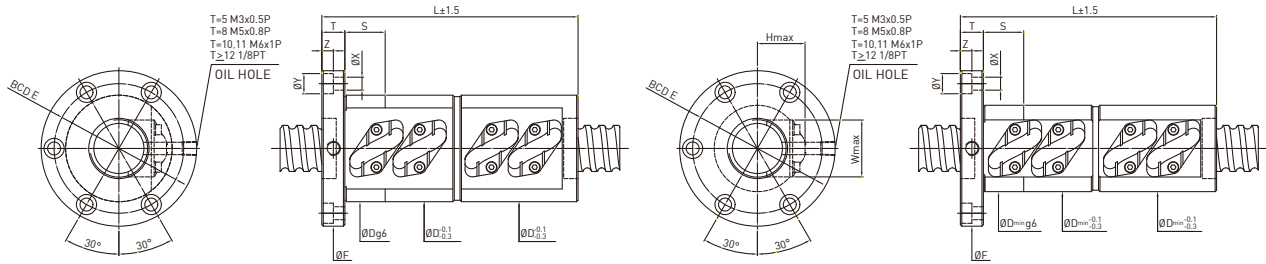
Re-circulation plate above the nut body

Model	Size		P.C.D.	RD	Ball Dia.	Circuits	Stiffness K (kgf/μm)	Dynamic Load C(kgf)	Static Load Co(kgf)	Nut			Flange		Return Tube		Bolt			Fit	
	Nominal Dia.	Lead								D	D <sub>min</sub>	L	F	T	BCD-E	W	H	X	Y		Z
R28-12C2	28	12	29	24.132	4.763	3.6x2	156.2	5200	14610	60	52	250	86	12	73	37	32	6.6	11	6.5	24
R28-16B2	28	16	29.4	22.91	6.35	2.6x2	115.1	5520	13440	66	56	263	94	12	80	39	35	6.6	11	6.5	24
R32-4B2	32	4	32.25	29.792	2.381	2.6x2	99.3	1600	6080	54	50	90	84	12	71	35	27	6.6	11	6.5	24
R32-5B2	32	5	32.4	29.124	3.175	2.6x2	106.8	2420	8160	57	52	119	84	12	71	34	29	6.6	11	6.5	24
R32-6B2	32	6	32.94	28.884	3.969	2.6x2	120.6	3310	10270	60	56	127	88	12	75	39	31	6.6	11	6.5	24
R32-10B2	32	10	32.62	28.564	3.969	2.6x2	123.9	3300	10230	58	54	171	84	12	71	38	31	6.6	11	6.5	24
R32-8B2	32	8	33.16	28.292	4.763	2.6X2	122.2	4130	11820	62	58	171	96	16	78	40	33	9	14	8.5	30
R32-10B2	32	10	33	28.132	4.763	2.6X2	123.9	4120	11800	60	57	190	96	16	78	39	33	9	14	8.5	30
R32-12B2	32	12	33	28.132	4.763	2.6X2	123.8	4110	11770	61	57	206	96	16	78	39	33	9	14	8.5	30
R32-20B1	32	20	33	28.132	4.763	2.6X1	66.1	2300	6090	64	57	205	102	16	84	40	34	9	14	8.5	30
R32-25B1	32	25	33.1	28.232	4.763	2.6X1	65.1	2270	6030	63	58	215	102	16	84	41	32	9	14	8.5	30
R32-10A2	32	10	33.4	26.91	6.35	1.6x2	80.9	3980	9650	68	62	157	102	16	84	43	36	9	14	8.5	30
R32-10B2	32	10	33.4	26.91	6.35	2.6x2	123.9	6040	15690	70	61	195	108	16	90	43	36	9	14	8.5	30
R32-10C1	32	10	33.4	26.91	6.35	3.6x1	90.6	4400	10860	70	60	155	108	16	90	42	37	9	14	8.5	30
R32-12A2	32	12	33.4	26.91	6.35	1.6x2	81.3	3970	9630	68	60	188	108	18	90	42	35	9	14	8.5	30
R32-12B2	32	12	33.4	26.91	6.35	2.6x2	123.8	6020	15660	66	60	213	108	18	90	42	35	9	14	8.5	30
R32-12C1	32	12	33.4	26.91	6.35	3.6x1	91	4390	10840	69	61	189	108	18	90	43	36	9	14	8.5	30
R32-16B1	32	16	33.4	26.91	6.35	2.6x1	66.7	3290	7790	71	61	197	108	16	90	44	37	9	14	8.5	30
R32-16B2	32	16	33.4	26.91	6.35	2.6x2	129.4	5980	15580	71	61	265	108	16	90	44	37	9	14	8.5	30
R32-16C1	32	16	33.4	26.91	6.35	3.6x1	91.1	4360	10790	71	61	203	108	16	90	44	37	9	14	8.5	30
R32-20B1	32	20	33.4	26.91	6.35	2.6x1	66.1	3270	7740	68	60	205	108	16	90	42	36	9	14	8.5	30
R32-12B2	32	12	33.6	26.299	7.144	2.6x2	123.8	6900	17180	74	64	231	108	16	90	44	39	9	14	8.5	30
R32-12C1	32	12	33.6	26.299	7.144	3.6x1	91	5020	11900	74	64	187	108	16	90	44	39	9	14	8.5	30
R32-15B2	32	15	33.6	26.299	7.144	2.6x2	129	6860	17120	74	65	258	108	16	90	46	39	9	14	8.5	30
R32-16B2	32	16	33.6	26.299	7.144	2.6x2	129.4	6850	17100	74	65	275	108	16	90	45	39	9	14	8.5	30
R36-6B2	36	6	36.8	32.744	3.969	2.6x2	130.5	3470	11510	65	60	132	100	12	82	43	33	6.6	11	6.5	24
R36-10B2	36	10	37.45	30.96	6.35	2.6x2	141.2	6430	17810	72	65	199	125	18	98	45	38	11	17.5	11	30
R36-16A2	36	16	37.4	30.91	6.35	1.6x2	89.9	4210	10900	74	66	208	120	18	98	47	38	11	17.5	11	30
R36-16B2	36	16	37.4	30.91	6.35	2.6x2	142.9	6390	17720	74	66	275	120	18	98	47	38	11	17.5	11	30
R36-20B1	36	20	37.4	30.91	6.35	2.6x1	73.5	3490	8810	76	66	207	120	18	98	47	39	11	17.5	11	30
R40-8A2	40	8	41	36.132	4.763	1.6x2	93.2	3070	9460	75	70	139	108	16	90	47	38	9	14	8.5	30
R40-8B2	40	8	41	36.132	4.763	2.6x2	148.5	4670	15380	74	72	171	108	16	90	50	38	9	14	8.5	30
R40-8C2	40	8	41	36.132	4.763	3.6x2	202.7	6180	21300	74	70	193	108	16	90	47	38	9	14	8.5	30
R40-10B2	40	10	41	36.132	4.763	2.6x2	150	4660	15360	72	66	195	108	16	90	46	37	9	14	8.5	30
R40-16B2	40	16	41	36.132	4.763	2.6x2	152.3	4630	15290	72	69	267	108	16	90	48	37	9	14	8.5	30
R40-10B2	40	10	41.4	34.91	6.35	2.6x2	150	6790	19940	78	74	199	125	18	104	53	41	11	17.5	11	30
R40-10C1	40	10	41.4	34.91	6.35	3.6x1	108.1	4950	13800	79	70	159	125	18	104	48	41	11	17.5	11	30
R40-12B2	40	12	41.4	34.91	6.35	2.6x2	154.8	6780	19910	78	70	232	128	18	106	48	41	11	17.5	11	30
R40-12C2	40	12	41.4	34.91	6.35	3.6x2	211.2	8970	27570	78	71	280	128	18	106	50	40	11	17.5	11	30
R40-16B2	40	16	41.49	35	6.35	2.6x2	152.3	6750	19850	81	73	274	128	18	106	48	41	11	17.5	11	30
R40-20A1	40	20	41.4	34.91	6.35	1.6x1	50.5	2430	6080	80	72	171	128	18	106	49	42	11	17.5	11	30
R40-20A2	40	20	41.4	34.91	6.35	1.6x2	98	4420	12160	80	72	251	128	18	106	49	42	11	17.5	11	30
R40-20B1	40	20	41.4	34.91	6.35	2.6x1	80.4	3700	9880	80	71	211	128	18	106	49	42	11	17.5	11	30
R40-20B2	40	20	41.4	34.91	6.35	2.6x2	155.8	6710	19760	80	71	328	128	18	106	49	42	11	17.5	11	30
R40-20C1	40	20	41.4	34.91	6.35	3.6x1	109.7	4890	13680	80	71	248	128	18	106	49	42	11	17.5	11	30
R40-25A1	40	25	41.4	34.91	6.35	1.6x1	50.2	2410	6040	78	73	197	128	18	106	52	40	11	17.5	11	30
R40-25B1	40	25	41.4	34.91	6.35	2.6x1	79.8	3670	9820	78	73	247	128	18	106	52	40	11	17.5	11	30
R40-10A2	40	10	41.6	34.299	7.144	1.6x2	98.8	5250	13870	82	73	160	128	18	106	51	42	11	17.5	11	40

Note: Rigidity with preload: The axial load is calculated by 10% of dynamic load.



**FDT Type** ◀ Standard Product



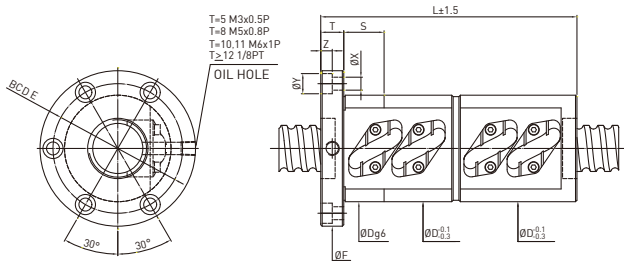
Re-circulation plate below the nut body

Re-circulation plate above the nut body

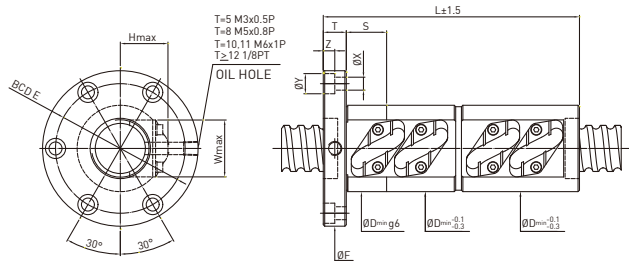
Model	Size		P.C.D.	RD	Ball Dia.	Circuits	Stiffness K (kgf/μm)	Dynamic Load C(kgf)	Static Load Co(kgf)	Nut			Flange			Return Tube		Bolt			Fit
	Nominal Dia.	Lead								D	D <sub>min</sub>	L	F	T	BCD-E	W	H	X	Y	Z	
R40-10B2	40	10	41.6	34.299	7.144	2.6x2	150	7980	22550	82	73	200	128	18	106	51	42	11	17.5	11	40
R40-10C2	40	10	41.6	34.299	7.144	3.6x2	214.5	10550	31220	82	73	240	128	18	106	51	42	11	17.5	11	40
R40-12A2	40	12	41.6	34.299	7.144	1.6x2	99.4	5240	13860	80	73	185	128	18	106	52	42	11	17.5	11	40
R40-12B1	40	12	41.6	34.299	7.144	2.6x1	81.5	4390	11260	79	74	161	128	18	106	52	42	11	17.5	11	40
R40-12B2	40	12	41.6	34.299	7.144	2.6x2	154.8	7960	22520	79	74	233	128	18	106	52	42	11	17.5	11	40
R40-12C1	40	12	41.6	34.299	7.144	3.6x1	111.2	5800	15590	79	74	185	128	18	106	52	41	11	17.5	11	40
R40-12C2	40	12	41.6	34.299	7.144	3.6x2	211.2	10540	31180	79	74	281	128	18	106	52	41	11	17.5	11	40
R40-16A2	40	16	41.6	34.299	7.144	1.6x2	100.2	5220	13810	81	73	238	128	18	106	49	42	11	17.5	11	40
R40-16B1	40	16	41.6	34.299	7.144	2.6x1	82.2	4370	11220	81	72	206	128	18	106	49	42	11	17.5	11	40
R40-16B2	40	16	41.6	34.299	7.144	2.6x2	152.3	7930	22450	81	72	297	128	18	106	49	42	11	17.5	11	40
R40-16C1	40	16	41.6	34.299	7.144	3.6x1	112.2	5780	15540	81	73	238	128	18	106	49	42	11	17.5	11	40
R40-20A2	40	20	41.6	34.299	7.144	1.6x2	98	5190	13750	82	74	252	128	18	106	52	42	11	17.5	11	40
R40-20B1	40	20	41.6	34.299	7.144	2.6x1	80.4	4340	11170	82	74	212	128	18	106	52	42	11	17.5	11	40
R40-20B2	40	20	41.6	34.299	7.144	2.6x2	155.8	7890	22350	82	74	329	128	18	106	52	42	11	17.5	11	40
R40-20C1	40	20	41.6	34.299	7.144	3.6x1	109.7	5750	15470	82	74	249	128	18	106	52	42	11	17.5	11	40
R40-25A1	40	25	41.6	34.299	7.144	1.6x1	50.2	2840	6830	83	73	198	128	18	106	51	43	11	17.5	11	40
R40-25B1	40	25	41.6	34.299	7.144	2.6x1	79.8	4310	11100	83	73	248	128	18	106	51	43	11	17.5	11	40
R45-5B2	45	5	45.6	42.324	3.175	2.6x2	134.7	2780	11610	72	68	124	108	16	90	45	37	9	14	8.5	30
R45-8B2	45	8	46	41.132	4.763	2.6x2	160	4880	17180	80	75	161	116	16	98	50	39	9	14	8.5	30
R45-10B1	45	10	46.4	39.91	6.35	2.6x1	88.1	4020	11540	84	77	141	132	18	110	53	44	11	17.5	11	30
R45-10B2	45	10	46.4	39.91	6.35	2.6x2	171.1	7300	23090	84	77	201	132	18	110	53	44	11	17.5	11	30
R45-12A2	45	12	46.4	39.91	6.35	1.6x2	99.5	4800	14190	85	78	165	132	18	110	53	43	11	17.5	11	30
R45-16A2	45	16	46.4	39.91	6.35	1.6x2	109.7	4780	14160	84	78	205	132	18	110	53	43	11	17.5	11	30
R45-20B2	45	20	46.4	39.91	6.35	2.6x2	175	7230	22930	84	78	329	132	18	110	53	44	11	17.5	11	30
R45-20C1	45	20	46.4	39.91	6.35	3.6x1	123.2	5270	15870	84	78	247	132	18	110	53	44	11	17.5	11	30
R45-12B2	45	12	46.6	39.299	7.144	2.6x2	171.9	8390	25230	87	80	231	132	18	110	55	45	11	17.5	11	40
R45-25A1	45	25	46.6	39.299	7.144	1.6x1	56.3	3000	7670	90	82	198	132	18	110	58	47	11	17.5	11	40
R45-25B1	45	25	46.6	39.299	7.144	2.6x1	89.5	4550	12470	90	82	248	132	18	110	58	47	11	17.5	11	40
R45-25C1	45	25	46.6	39.299	7.144	3.6x1	122.2	6030	17270	90	82	298	132	18	110	58	47	11	17.5	11	40
R45-12B2	45	12	46.8	38.688	7.938	2.6x2	171.9	9620	27850	92	84	239	142	22	117	58	47	13	20	13	40
R45-20B2	45	20	46.8	38.688	7.938	2.6x2	175	9550	27690	91	80	343	142	22	117	55	47	13	20	13	40
R45-25B1	45	25	46.8	38.688	7.938	2.6x1	89.5	5220	13770	93	81	257	142	22	117	55	48	13	20	13	40
R50-8B2	50	8	51	46.132	4.763	2.6x2	170.2	5070	18980	83	80	173	128	18	107	55	41	11	17.5	11	30
R50-8B3	50	8	51	46.132	4.763	2.6x3	250.9	7180	28470	83	80	221	128	18	107	55	41	11	17.5	11	30
R50-12B1	50	12	51	46.132	4.763	2.6x1	90.6	2780	9470	85	82	139	128	18	107	57	43	11	17.5	11	30
R50-10B2	50	10	51.4	44.91	6.35	2.6x2	181.7	7550	25240	90	85	201	135	18	114	57	47	11	17.5	11	30
R50-20B2	50	20	51.4	44.91	6.35	2.6x2	187	7490	25100	90	83	329	135	18	114	55	46	11	17.5	11	30
R50-25B2	50	25	51.6	44.299	7.144	2.6x2	188.1	8670	27680	95	90	399	140	18	118	64	47	11	17.5	11	30
R50-12B1	50	12	51.8	43.688	7.938	2.6x1	90.6	5590	15580	96	90	167	150	22	125	62	50	13	20	13	40
R50-12B2	50	12	51.8	43.688	7.938	2.6x2	188.6	10150	31170	96	90	239	150	22	125	62	50	13	20	13	40
R50-16A2	50	16	51.8	43.688	7.938	1.6x2	120.1	6670	19140	96	89	217	150	22	125	61	50	13	20	13	40
R50-16B2	50	16	51.8	43.688	7.938	2.6x2	191.1	10120	31100	97	88	304	150	22	125	61	50	13	20	13	40
R50-16C2	50	16	51.8	43.688	7.938	3.6x2	260.7	13390	43070	96	89	368	150	22	125	61	50	13	20	13	40
R50-20A2	50	20	51.8	43.688	7.938	1.6x2	120.8	6640	19090	98	91	262	150	22	125	63	50	13	20	13	40
R50-20B2	50	20	51.8	43.688	7.938	2.6x2	187	10090	31020	97	89	333	150	22	125	62	50	13	20	13	40
R50-20C1	50	20	51.8	43.688	7.938	3.6x1	135.2	7350	21470	98	91	258	150	22	125	63	50	13	20	13	40
R50-25B2	50	25	51.8	43.688	7.938	2.6x2	188.1	10030	30890	99	88	376	150	22	125	60	49	13	20	13	40
R50-20B2	50	20	52.2	42.466	9.525	2.6x2	187	13500	37530	99	93	345	152	28	128	67	51	13	20	13	60

Note: Rigidity with preload: The axial load is calculated by 10% of dynamic load.

**FDT Type** ◀ Standard Product



Re-circulation plate below the nut body

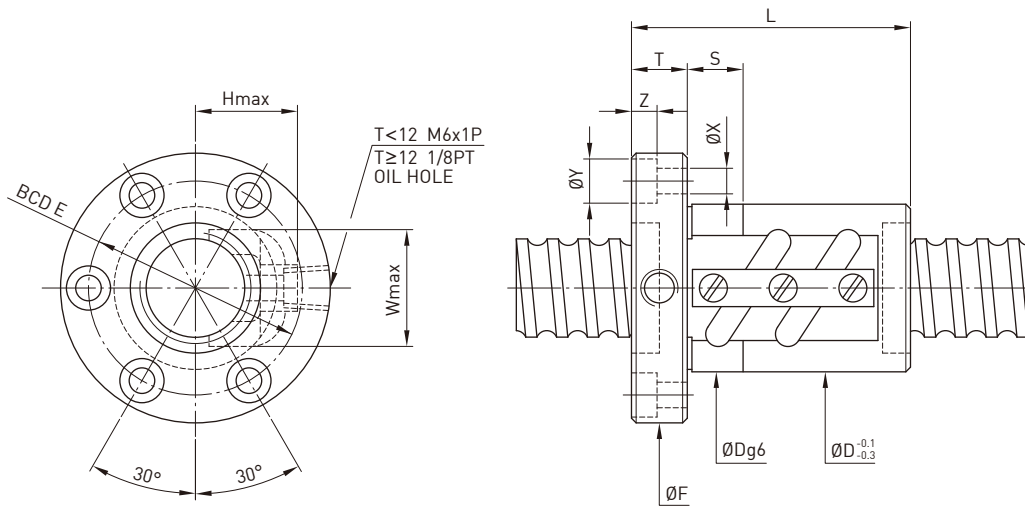


Re-circulation plate above the nut body

Model	Size		P.C.D.	RD	Ball Dia.	Circuits	Stiffness K (kgf/μm)	Dynamic Load C(kgf)	Static Load Co(kgf)	Nut			Flange		Return Tube		Bolt			Fit	
	Nominal Dia.	Lead								D	D <sub>min</sub>	L	F	T	BCD-E	W	H	X	Y		Z
R55-10B2	55	10	56.46	49.97	6.35	2.6x2	191.7	7790	27390	95	92	200	144	18	122	62	48	11	17.5	11	40
R55-20B2	55	20	56.6	49.299	7.144	2.6x2	208.2	9330	31780	96	93	333	144	18	122	64	49	11	17.5	11	40
R55-24A1	55	24	56.6	49.299	7.144	1.6x1	67.8	3370	9750	99	93	198	144	18	122	64	50	11	17.5	11	40
R55-24A2	55	24	56.6	49.299	7.144	1.6x2	131.5	6120	19500	99	93	294	144	18	122	64	50	11	17.5	11	40
R55-24B2	55	24	56.6	49.299	7.144	2.6x2	209	9290	31690	99	93	389	144	18	122	64	50	11	17.5	11	40
R60-24A2	60	24	62.2	52.466	9.525	1.6x2	143.3	9285	27490	113	104	304	170	22	145	71	58	13	20	13	40
R60-32C1	60	32	62.2	52.466	9.525	3.6x1	162.9	10731	30750	114	105	382	170	22	145	72	57	13	20	13	40
R63-8B2	63	8	64	59.132	4.763	2.6x2	202.2	5610	24340	102	98	201	146	18	124	66	49	11	17.5	11	40
R63-10B2	63	10	64.4	57.91	6.35	2.6x2	212.2	8270	31630	107	103	214	152	20	130	71	52	11	17.5	11	40
R63-10B3	63	10	64.4	57.91	6.35	2.6x3	312.9	11720	47440	107	103	274	152	20	130	71	52	11	17.5	11	40
R63-12B2	63	12	64.8	56.688	7.938	2.6x2	222.5	11270	39470	110	106	252	166	22	141	71	57	13	20	13	40
R63-32B1	63	32	64.8	56.688	7.938	2.6x1	118.7	6120	19530	113	107	313	166	22	141	76	55	13	20	13	40
R63-16B2	63	16	65.2	55.466	9.525	2.6x2	236.3	14861	47240	122	114	307	172	22	147	82	60	13	20	13	40
R63-20B2	63	20	65.2	55.466	9.525	2.6x2	238.1	14861	47160	118	111	366	172	22	147	77	60	13	20	13	40
R63-25B2	63	25	65.2	55.466	9.525	2.6x2	239.5	14861	47040	118	110	410	172	22	147	76	59	13	20	13	40
R63-32A2	63	32	65.2	55.466	9.525	1.6x2	149.9	9629	28810	115	107	382	172	22	147	73	58	13	20	13	40
R70-32B1	70	32	71.8	63.688	7.938	2.6x1	130.6	6470	22020	125	119	318	178	22	152	85	62	13	20	13	40
R80-16B2	80	16	82.2	72.466	9.525	2.6x2	284.2	16483	61530	142	136	310	210	28	174	97	68	18	26	17.5	50
R80-16B3	80	16	82.2	72.466	9.525	2.6x3	419	23361	92300	142	136	406	210	28	174	97	68	18	26	17.5	50
R80-24B2	80	24	82.2	72.466	9.525	2.6x2	289.5	16483	61380	134	130	411	210	28	174	86	67	18	26	17.5	50
R80-32B2	80	32	82.2	72.466	9.525	2.6x2	293.2	16483	61180	142	137	516	210	28	174	98	68	18	26	17.5	50

Note: Rigidity with preload: The axial load is calculated by 10% of dynamic load.

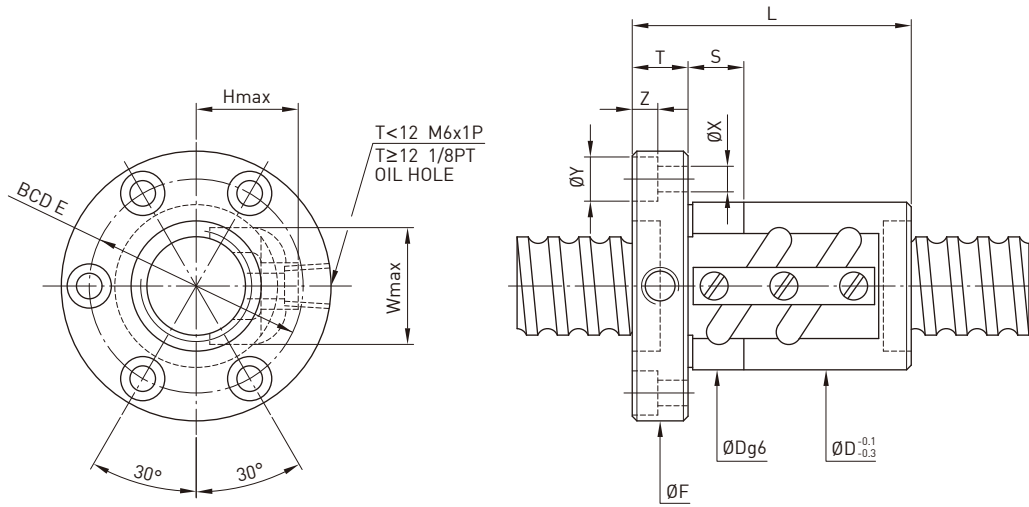
**FSV Type** ◀ Standard Product



Model	Size		P.C.D.	RD	Ball Dia.	Circuits	Stiffness K (kgf/μm)	Dynamic Load C(kgf)	Static Load Col(kgf)	Nut		Flange			Return Tube		Bolt			Fit
	Nominal Dia.	Lead								D	L	F	T	BCD-E	W	H	X	Y	Z	
16-4B2	16	4	16.25	13.792	2.381	2.5x2	26	802	1722	30	48	52	10	40	23	21	5.5	9.5	5.5	12
16-5B1	16	5	16.6	13.324	3.175	2.5x1	16	763	1400	31	45	54	12	41	27	22	5.5	9.5	5.5	12
16-5B2	16	5	16.6	13.324	3.175	2.5x2	33	1385	2799	31	60	54	12	41	27	22	5.5	9.5	5.5	12
16-5C1	16	5	16.6	13.324	3.175	3.5x1	22	1013	1946	31	50	54	12	41	27	22	5.5	9.5	5.5	12
16-10B1	16	10	16.6	13.324	3.175	2.5x1	16	763	1399	30	54	53	10	41	22.5	23	5.5	9.5	5.5	12
20-5B1	20	5	20.6	17.324	3.175	2.5x1	19	837	1733	35	45	58	12	46	27	25	5.5	9.5	5.5	12
20-5B2	20	5	20.6	17.324	3.175	2.5x2	39	1519	3465	35	60	58	12	46	27	25	5.5	9.5	5.5	12
20-6B1	20	6	20.8	16.744	3.969	2.5x1	20	1139	2187	36	48	60	12	47	28	27	5.5	9.5	5.5	12
20-6C1	20	6	20.8	16.744	3.969	3.5x1	28	1512	3041	36	66	60	12	47	28	27	5.5	9.5	5.5	12
20-20A1	20	20	20.8	16.744	3.969	1.5x1	13	719	1281	36	66	60	12	47	28	27	5.5	9.5	5.5	12
25-5B2	25	5	25.6	22.324	3.175	2.5x2	46	1704	4417	40	60	64	12	52	31	26	5.5	9.5	5.5	12
25-5C1	25	5	25.6	22.324	3.175	3.5x1	35	1252	3085	40	50	64	12	52	31	26	5.5	9.5	5.5	12
25-6B2	25	6	25.8	21.744	3.969	2.5x2	48	2308	5523	42	68	68	12	55	32	28	6.6	11	6.5	12
25-6C1	25	6	25.8	21.744	3.969	3.5x1	35	1690	3844	42	55	68	12	55	32	28	6.6	11	6.5	12
25-8B2	25	8	26	21.132	4.763	2.5x2	46	2888	6472	50	80	74	13	62	35	31	5.5	9.5	5.5	15
25-10B1	25	10	26	21.132	4.763	2.5x1	25	1592	3237	45	65	72	16	58	34	29	6.6	11	6.5	12
25-10B2	25	10	26	21.132	4.763	2.5x2	46	2888	6472	47	97	74	15	60	35	31	6.6	11	6.5	15
25-16B1	25	16	26	21.132	4.763	2.5x1	28	1592	3237	45	84	72	16	58	34	29	6.6	11	6.5	12
25-20B1	25	20	26	21.132	4.763	2.5x1	28	1592	3237	45	96	72	16	58	34	29	6.6	11	6.5	12
25-25A1	25	25	26	21.132	4.763	1.5x1	16	1019	1927	45	90	72	16	58	34	29	6.6	11	6.5	12
28-5B1	28	5	28.6	25.324	3.175	2.5x1	26	984	2466	44	45	70	12	56	34	28	6.6	11	6.5	12
28-5B2	28	5	28.6	25.324	3.175	2.5x2	50	1785	4932	44	60	70	12	56	34	28	6.6	11	6.5	12
28-6A2	28	6	28.6	25.324	3.175	1.5x2	29	1150	2960	44	55	70	12	56	34	28	6.6	11	6.5	12
28-6B2	28	6	28.6	25.324	3.175	2.5x2	48	1784	4932	50	61	74	12	60	36	29	6.6	11	6.5	15
32-5B2	32	5	32.6	29.324	3.175	2.5x2	55	1886	5666	50	60	76	12	63	38	30	6.6	11	6.5	12
32-5C1	32	5	32.6	29.324	3.175	3.5x1	39	1388	3967	50	50	76	12	63	38	30	6.6	11	6.5	12
32-6B2	32	6	32.8	28.744	3.969	2.5x2	56	2556	7020	52	68	78	12	65	39	32	6.6	11	6.5	12
32-6C1	32	6	32.8	28.744	3.969	3.5x1	39	1888	4936	52	55	78	12	65	39	32	6.6	11	6.5	12
32-8B2	32	8	33	28.132	4.763	2.5x2	59	3284	8453	54	86	88	16	70	40	33	9	14	8.5	15
32-8C1	32	8	33	28.132	4.763	3.5x1	41	2428	5948	54	70	88	16	70	40	33	9	14	8.5	15
32-10B1	32	10	33.4	26.91	6.350	2.5x1	30	2650	5599	54	70	88	16	70	44	37	9	14	8.5	15
32-10B2	32	10	33.4	26.91	6.350	2.5x2	60	4810	11199	57	98	91	16	73	44	37	9	14	8.5	15
32-10C1	32	10	33.4	26.91	6.350	3.5x1	44	3519	7785	57	78	91	16	73	44	37	9	14	8.5	15
32-16B1	32	16	33.4	26.91	6.350	2.5x1	30	2650	5599	54	100	88	16	70	45	38	9	14	8.5	15
32-20B1	32	20	33	28.132	4.763	2.5x1	33	1810	4227	54	100	88	16	70	40	33	9	14	8.5	15
32-25B1	32	25	33	28.132	4.763	2.5x1	33	1810	4227	54	118	88	16	70	40	33	9	14	8.5	15
32-32A1	32	32	33	28.132	4.763	1.5x1	18	1154	2505	54	110	88	16	70	40	33	9	14	8.5	15
36-6B1	36	6	36.8	32.744	3.969	2.5x1	35	1486	3969	55	50	82	12	68	42	32	6.6	11	6.5	12
36-6B2	36	6	36.8	32.744	3.969	2.5x2	60	2696	7937	55	68	82	12	68	42	32	6.6	11	6.5	12

Note: Stiffness values listed above value are derived from theoretical formula while axial load is 30% of dynamic load rating without preload.

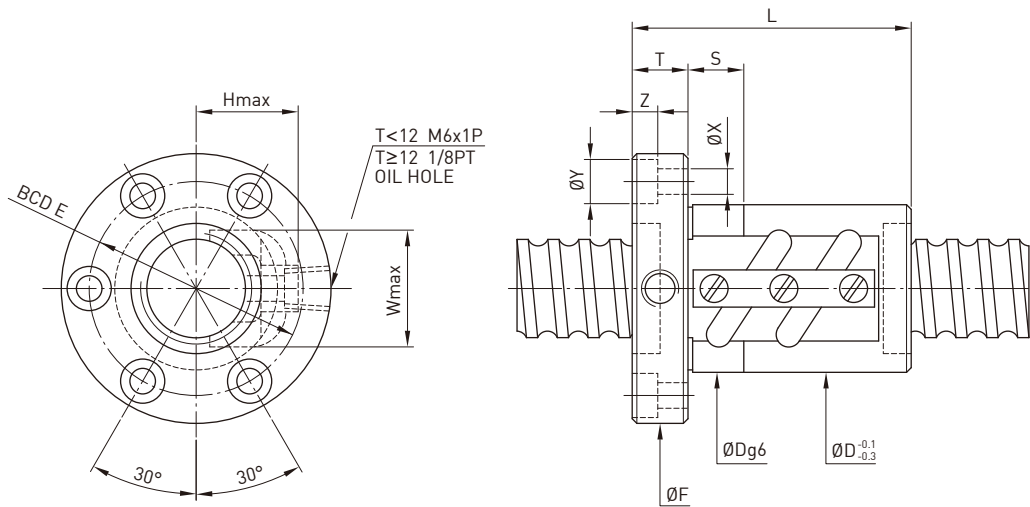
**FSV Type** ◀ Standard Product



Model	Size		P.C.D.	RD	Ball Dia.	Circuits	Stiffness K (kgf/µm)	Dynamic Load C(kgf)	Static Load Col(kgf)	Nut		Flange			Return Tube		Bolt			Fit
	Nominal Dia.	Lead								D	L	F	T	BCD-E	W	H	X	Y	Z	
36-10B2	36	10	37.4	30.91	6.350	2.5x2	68	5105	12669	62	102	104	18	82	49	40	11	17.5	11	15
40-5B2	40	5	40.6	37.324	3.175	2.5x2	66	2071	7134	58	65	92	16	72	46	34	9	14	8.5	15
40-6B2	40	6	40.8	36.744	3.969	2.5x2	69	2817	8855	60	72	94	16	76	47	36	9	14	8.5	15
40-8B2	40	8	41	36.132	4.763	2.5x2	70	3634	10603	62	86	96	16	78	48	38	9	14	8.5	15
40-8C1	40	8	41	36.132	4.763	3.5x1	49	2679	7438	62	70	96	16	78	48	38	9	14	8.5	15
40-10B2	40	10	41.4	34.91	6.350	2.5x2	74	5370	14138	65	102	106	18	85	52	42	11	17.5	11	15
40-10C1	40	10	41.4	34.91	6.350	3.5x1	51	3932	9841	65	82	106	18	85	52	42	11	17.5	11	15
40-12B2	40	12	41.6	34.299	7.144	2.5x2	72	6216	15674	64	108	112	18	88	53	42	11	17.5	11	30
40-16B2	40	16	41.6	34.299	7.144	2.5x2	72	6216	15674	74	135	110	18	90	52	49	11	17.5	11	30
40-25B1	40	25	41.4	34.91	6.350	2.5x1	39	2959	7069	65	123	106	18	85	52	42	11	17.5	11	15
40-32B1	40	32	41.4	34.91	6.350	2.5x1	39	2959	7069	65	146	106	18	85	52	42	11	17.5	11	15
40-40A1	40	40	41.4	34.91	6.350	1.5x1	24	1875	4159	65	133	106	18	85	52	42	11	17.5	11	15
45-10B1	45	10	46.4	39.91	6.350	2.5x1	45	4170	11161	70	74	112	18	90	58	48	11	17.5	11	15
45-10B2	45	10	46.4	39.91	6.350	2.5x2	79	5655	15905	70	104	112	18	90	58	48	11	17.5	11	15
45-12B2	45	12	46.8	38.688	7.938	2.5x2	81	7627	19799	74	123	122	22	97	60	49	13	20	13	20
50-5A2	50	5	50.6	47.324	3.175	1.5x2	48	1447	5382	70	63	104	16	86	56	40	9	14	8.5	15
50-5A3	50	5	50.6	47.324	3.175	1.5x3	73	2051	8072	70	73	104	16	86	56	40	9	14	8.5	15
50-6B2	50	6	50.8	46.744	3.969	2.5x2	81	3093	11149	72	75	106	16	88	57	43	9	14	8.5	15
50-6B3	50	6	50.8	46.744	3.969	2.5x3	119	4384	16723	72	93	106	16	88	57	43	9	14	8.5	15
50-8B2	50	8	51	46.132	4.763	2.5x2	84	4004	13409	75	88	116	18	95	58	45	11	17.5	11	15
50-8B3	50	8	51	46.132	4.763	2.5x3	124	5674	20114	75	112	116	18	95	58	45	11	17.5	11	15
50-10B2	50	10	51.4	44.91	6.350	2.5x2	87	5923	17670	78	104	119	18	98	62	48	11	17.5	11	15
50-10B3	50	10	51.4	44.91	6.350	2.5x3	129	8394	26505	78	134	119	18	98	62	48	11	17.5	11	15
50-10C1	50	10	51.4	44.91	6.350	3.5x1	60	4393	12481	78	84	119	18	98	62	48	11	17.5	11	15
50-12B1	50	12	51.8	43.688	7.938	2.5x1	46	4420	11047	82	87	130	22	105	64	52	13	20	13	20
50-12B2	50	12	51.8	43.688	7.938	2.5x2	90	8022	22094	82	123	130	22	105	64	52	13	20	13	20
50-12C1	50	12	51.8	43.688	7.938	3.5x1	63	5875	15380	82	99	130	22	105	64	52	13	20	13	20
50-40A1	50	40	51.8	43.688	7.938	1.5x1	27	2801	6499	82	135	130	22	105	64	52	13	20	13	20
50-50A1	50	50	51.8	43.688	7.938	1.5x1	30	2801	6499	82	162	130	22	105	64	52	13	20	13	20
55-10C1	55	10	56.4	49.91	6.350	3.5x1	66	4562	13661	84	84	125	18	103	68	54	11	17.5	11	20
55-12B2	55	12	56.8	48.688	7.938	2.5x2	95	8392	24390	88	123	136	22	110	70	56	13	20	13	20
55-20B2	55	20	58	45.16	12.700	2.5x2	127	20160	52439	100	175	132	28	115	74	71	9	14	8.5	30
63-8A2	63	8	64	59.132	4.763	1.5x2	54	2826	10129	87	76	129	18	107	70	50	11	17.5	11	20
63-8A3	63	8	64	59.132	4.763	1.5x3	80	4004	15193	87	92	129	18	107	70	50	11	17.5	11	20
63-10B2	63	10	64.4	57.91	6.350	2.5x2	104	6533	22371	90	107	132	20	110	74	53	11	17.5	11	20
63-10B3	63	10	64.4	57.91	6.350	2.5x3	154	9258	33556	90	137	132	20	110	74	53	11	17.5	11	20
63-12B2	63	12	64.8	56.688	7.938	2.5x2	109	8943	28062	94	124	142	22	117	76	57	13	20	13	20
63-16B2	63	16	65.2	55.466	9.525	2.5x2	141	14862	46009	100	153	150	22	123	78	62	13	20	13	20
63-20B2	63	20	65.2	55.466	9.525	2.5x2	141	14862	46009	100	176	150	22	123	78	62	13	20	13	20

Note: Stiffness values listed above value are derived from theoretical formula while axial load is 30% of dynamic load rating without preload.

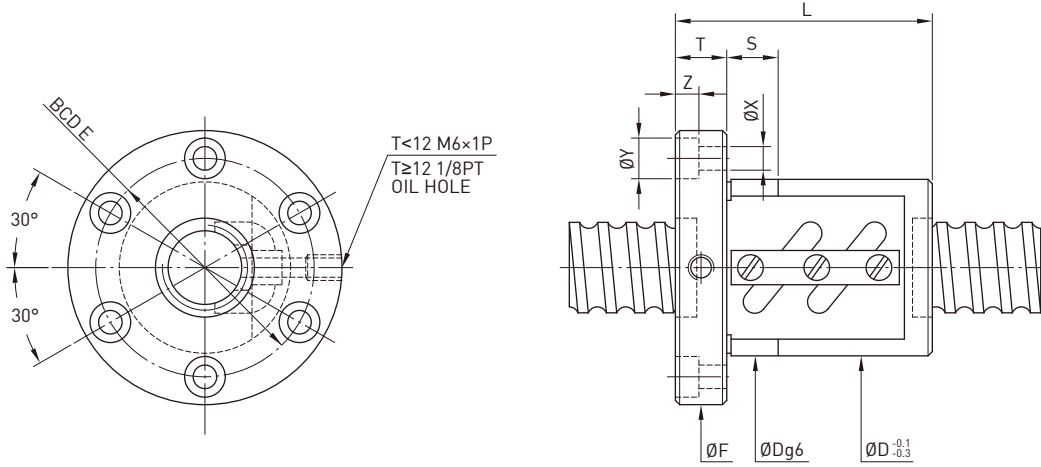
**FSV Type** ◀ Standard Product



Model	Size		P.C.D.	RD	Ball Dia.	Circuits	Stiffness K (kgf/μm)	Dynamic Load C (kgf)	Static Load Co (kgf)	Nut		Flange			Return Tube		Bolt			Fit
	Nominal Dia.	Lead								D	L	F	T	BCD-E	W	H	X	Y	Z	
63-20B3	63	20	66	53.16	12.700	2.5x3	210	30715	90887	117	244	157	32	137	82	70	11	17.5	11	30
70-10B2	70	10	71.4	64.91	6.350	2.5x2	115	6843	25011	104	109	152	20	128	80	56	13	20	13	20
70-10B3	70	10	71.4	64.91	6.350	2.5x3	170	9688	37516	104	139	152	20	128	80	56	13	20	13	20
70-12B2	70	12	71.8	63.688	7.938	2.5x2	120	9382	31275	110	125	159	22	133	82	58	13	20	13	20
70-12B3	70	12	71.8	63.688	7.938	2.5x3	170	13296	46912	110	159	159	22	133	82	58	13	20	13	20
80-10B2	80	10	81.4	74.91	6.350	2.5x2	126	7202	28538	115	109	163	22	137	90	64	13	20	13	20
80-10B3	80	10	81.4	74.91	6.350	2.5x3	186	10207	42807	115	139	163	22	137	90	64	13	20	13	20
80-12B2	80	12	81.8	73.688	7.938	2.5x2	130	9797	35422	120	125	169	22	143	92	67	13	20	13	25
80-12B3	80	12	81.8	73.688	7.938	2.5x3	192	13884	53132	120	159	169	22	143	92	67	13	20	13	25
80-16B2	80	16	82.2	72.466	9.525	2.5x2	171	16485	58851	125	156	190	28	154	94	70	18	26	17.5	25
80-16B3	80	16	82.2	72.466	9.525	2.5x3	252	23363	88276	125	204	190	28	154	94	70	18	26	17.5	25
80-20B2	80	20	82.2	72.466	9.525	2.5x2	171	16485	58851	125	185	190	28	154	94	70	18	26	17.5	25
80-20B3	80	20	82.2	72.466	9.525	2.5x3	252	23363	88276	125	245	190	28	154	94	70	18	26	17.5	25
100-12B2	100	12	101.8	93.688	7.938	2.5x2	156	10761	44586	145	132	209	28	173	112	76	18	26	17.5	25
100-12B3	100	12	101.8	93.688	7.938	2.5x3	229	15251	66894	145	168	209	28	173	112	76	18	26	17.5	25
100-16B2	100	16	102.2	92.466	9.525	2.5x2	200	18123	74425	150	162	228	32	185	114	80	22	32	21.5	30
100-16B3	100	16	102.2	92.466	9.525	2.5x3	305	25684	111637	150	212	228	32	185	114	80	22	32	21.5	30
100-20B2	100	20	102.2	92.466	9.525	2.5x2	200	18123	74425	150	190	228	32	185	114	80	22	32	21.5	30
100-20B3	100	20	102.2	92.466	9.525	2.5x3	305	25684	111637	150	250	228	32	185	114	80	22	32	21.5	30

Note: Stiffness values listed above value are derived from theoretical formula while axial load is 30% of dynamic load rating without preload.

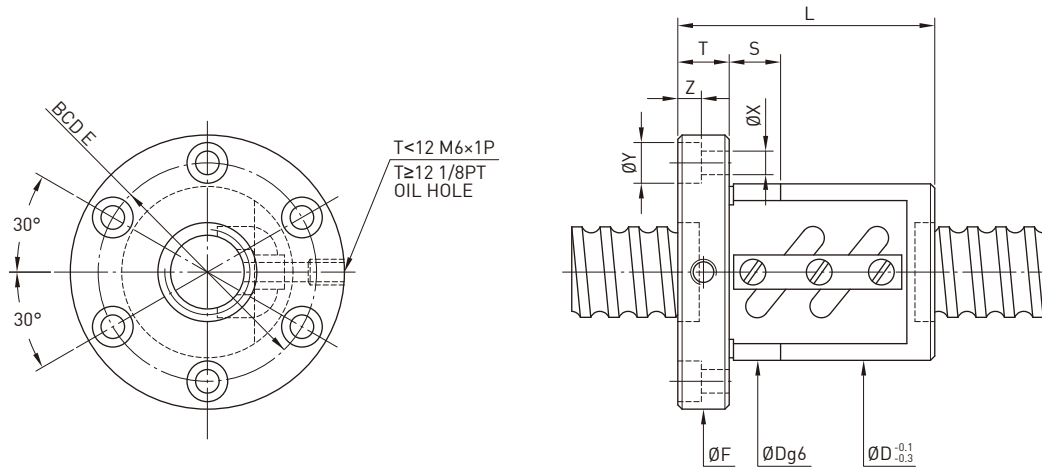
**FSW Type** ◀ Standard Product



Model	Size		P.C.D.	RD	Ball Dia.	Circuits	Stiffness K (kgf/μm)	Dynamic Load C (kgf)	Static Load Co (kgf)	Nut		Flange			Bolt				Fit
	Nominal Dia.	Lead								D	L	F	T	BCD-E	X	Y	Z	S	
12-4B1	12	4	12.25	9.792	2.381	2.5x1	8	383	638	30	38	50	10	40	4.5	8	4	12	
12-4C1	12	4	12.25	9.792	2.381	3.5x1	9	511	893	30	44	50	10	40	4.5	8	4	12	
12-5B1	12	5	12.25	9.792	2.381	2.5x1	8	383	638	30	40	50	10	40	4.5	8	4	12	
14-5B1	14	5	14.6	11.324	3.175	2.5x1	10	710	1216	34	40	57	11	45	5.5	9.5	5.5	12	
15-10A1	15	10	15.6	12.324	3.175	1.5x1	9	474	781	34	48	57	11	45	5.5	9.5	5.5	12	
15-20A1	15	20	15.6	12.324	3.175	1.5x1	9	474	781	34	62	58	12	45	5.5	9.5	5.5	12	
16-4B1	16	4	16.25	13.792	2.381	2.5x1	14	439	870	34	38	57	11	45	5.5	9.5	5.5	12	
16-5B1	16	5	16.6	13.324	3.175	2.5x1	16	763	1400	40	45	64	12	51	5.5	9.5	5.5	12	
16-5B2	16	5	16.6	13.324	3.175	2.5x2	33	1385	2799	40	60	64	12	51	5.5	9.5	5.5	12	
16-5C1	16	5	16.6	13.324	3.175	3.5x1	22	1013	1946	40	50	64	12	51	5.5	9.5	5.5	12	
20-5B1	20	5	20.6	17.324	3.175	2.5x1	19	837	1733	44	45	68	12	55	5.5	9.5	5.5	12	
20-5B2	20	5	20.6	17.324	3.175	2.5x2	39	1519	3465	44	60	68	12	55	5.5	9.5	5.5	12	
20-6B1	20	6	20.8	16.744	3.969	2.5x1	20	1137	2187	48	48	72	12	59	5.5	9.5	5.5	12	
20-6C1	20	6	20.8	16.744	3.969	3.5x1	28	1512	3041	48	66	72	12	59	5.5	9.5	5.5	12	
25-4B2	25	4	25.25	22.792	2.381	2.5x2	38	976	2776	46	48	69	11	57	5.5	9.5	5.5	12	
25-5B2	25	5	25.6	22.324	3.175	2.5x2	46	1704	4417	50	60	74	12	62	5.5	9.5	5.5	12	
25-5C1	25	5	25.6	22.324	3.175	3.5x1	35	1252	3085	50	50	74	12	62	5.5	9.5	5.5	12	
25-6B1	25	6	25.8	21.744	3.969	2.5x1	24	1255	2735	53	44	76	11	64	5.5	9.5	5.5	12	
25-6B2	25	6	25.8	21.744	3.969	2.5x2	48	2308	5523	56	68	82	12	69	6.6	11	6.5	12	
25-6C1	25	6	25.8	21.744	3.969	3.5x1	35	1690	3844	56	55	82	12	69	6.6	11	6.5	12	
25-10B1	25	10	26	21.132	4.763	2.5x1	25	1592	3237	60	65	86	16	73	6.6	11	6.5	12	
25-10B2	25	10	26	21.132	4.763	2.5x2	46	2888	6472	58	97	85	15	71	6.6	11	6.5	12	
25-12B1	25	12	25.8	21.744	3.969	2.5x1	24	1271	2761	53	60	78	11	64	6.6	11	6.5	12	
28-5B1	28	5	28.6	25.324	3.175	2.5x1	26	984	2466	55	45	85	12	69	6.6	11	6.5	12	
28-5B2	28	5	28.6	25.324	3.175	2.5x2	50	1785	4932	55	60	85	12	69	6.6	11	6.5	12	
28-6A2	28	6	28.6	25.324	3.175	1.5x2	29	1150	2960	55	55	85	12	69	6.6	11	6.5	12	
28-12B2	28	12	29	24.132	4.763	2.5x2	51	3060	7299	60	110	86	12	73	6.6	11	6.5	12	
28-16B1	28	16	29	24.132	4.763	2.5x1	25	1686	3649	62	84	89	12	75	6.6	11	6.5	12	
32-5B2	32	5	32.6	29.324	3.175	2.5x2	55	1886	5666	58	60	84	12	71	6.6	11	6.5	12	
32-5C1	32	5	32.6	29.324	3.175	3.5x1	39	1388	3967	58	50	84	12	71	6.6	11	6.5	12	
32-6B2	32	6	32.8	28.744	3.969	2.5x2	56	2556	7020	62	68	88	12	75	6.6	11	6.5	12	
32-6C1	32	6	32.8	28.744	3.969	3.5x1	39	1888	4936	62	55	88	12	75	6.6	11	6.5	12	
32-8B2	32	8	33	28.132	4.763	2.5x2	59	3284	8453	66	86	100	16	82	9	14	8.5	15	
32-8C1	32	8	33	28.132	4.763	3.5x1	41	2428	5948	66	70	100	16	82	9	14	8.5	15	
32-10B2	32	10	33.4	26.91	6.350	2.5x2	60	4810	11199	74	98	108	16	90	9	14	8.5	15	
32-10C1	32	10	33.4	26.91	6.350	3.5x1	44	3519	7785	74	78	108	16	90	9	14	8.5	15	
32-12A2	32	12	33.4	26.91	6.350	1.5x2	37	3051	6612	74	97	108	18	90	9	14	8.5	15	
32-12B2	32	12	33.4	26.91	6.350	2.5x2	59	4810	11199	74	110	108	18	90	9	14	8.5	15	

Note: Stiffness values listed above value are derived from theoretical formula while axial load is 30% of dynamic load rating without preload.

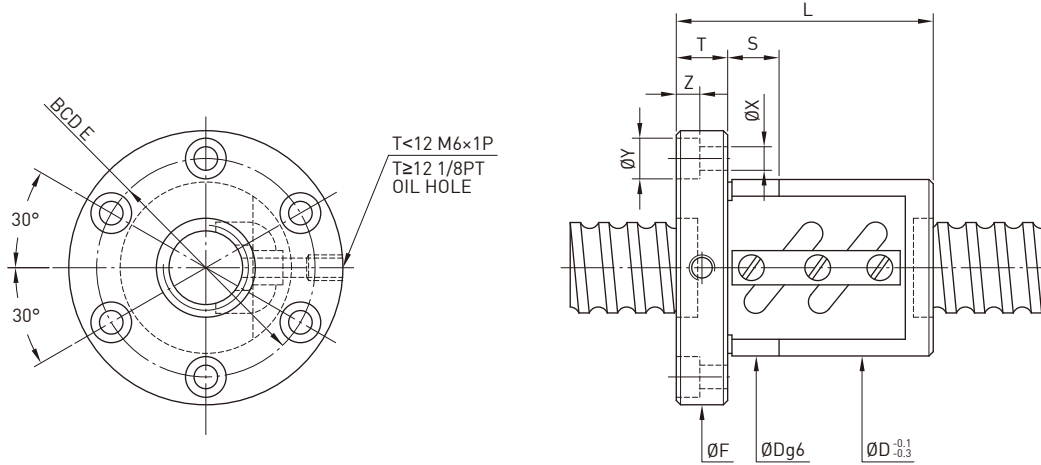
**FSW Type** ◀ Standard Product



Model	Size		P.C.D.	RD	Ball Dia.	Circuits	Stiffness K (kgf/µm)	Dynamic Load C (kgf)	Static Load Co (kgf)	Nut		Flange			Bolt			Fit
	Nominal Dia.	Lead								D	L	F	T	BCD-E	X	Y	Z	
32-16A2	32	16	33.4	26.91	6.350	1.5x2	36	3035	6555	74	99	108	16	90	9	14	8.5	15
32-16B1	32	16	33.4	26.91	6.350	2.5x1	30	2650	5599	74	94	108	16	90	9	14	8.5	15
32-16B2	32	16	33.4	26.91	6.350	2.5x2	59	4810	11199	74	130	108	16	90	9	14	8.5	15
32-20A2	32	20	33.4	26.91	6.350	1.5x2	37	3035	6555	74	120	108	16	90	9	14	8.5	15
32-20B1	32	20	33.4	26.91	6.350	2.5x1	30	2650	5599	74	98	108	16	90	9	14	8.5	15
36-6B1	36	6	36.8	32.744	3.969	2.5x1	35	1486	3969	65	50	100	12	82	6.6	11	6.5	12
36-6B2	36	6	36.8	32.744	3.969	2.5x2	60	2696	7937	65	68	100	12	82	6.6	11	6.5	12
36-10B2	36	10	37.4	30.91	6.350	2.5x2	68	5105	12669	75	102	125	18	98	11	17.5	11	15
36-12B2	36	12	37.4	30.91	6.350	2.5x2	65	5105	12668	75	110	125	18	98	11	17.5	11	15
36-16C1	36	16	37.4	30.91	6.350	3.5x1	46	3736	8813	80	105	120	18	100	11	17.5	11	15
40-5B2	40	5	40.6	37.324	3.175	2.5x2	66	2071	7134	68	65	102	16	84	9	14	8.5	15
40-6B2	40	6	40.8	36.744	3.969	2.5x2	69	2817	8855	70	72	104	16	86	9	14	8.5	15
40-8B2	40	8	41	36.132	4.763	2.5x2	70	3634	10603	74	86	108	16	90	9	14	8.5	15
40-8C1	40	8	41	36.132	4.763	3.5x1	49	2679	7438	74	70	108	16	90	9	14	8.5	15
40-10B2	40	10	41.4	34.91	6.350	2.5x2	74	5370	14138	84	102	125	18	104	11	17.5	11	15
40-10C1	40	10	41.4	34.91	6.350	3.5x1	51	3932	9841	84	82	125	18	104	11	17.5	11	15
40-12B1	40	12	41.6	34.299	7.144	2.5x1	36	3425	7837	86	81	128	18	106	11	17.5	11	20
40-12B2	40	12	41.6	34.299	7.144	2.5x2	72	6217	15674	86	117	128	18	106	11	17.5	11	20
40-16A2	40	16	41.6	34.299	7.144	1.5x2	42	4007	9405	86	118	128	18	106	11	17.5	11	20
40-16B1	40	16	41.6	34.299	7.144	2.5x1	37	3425	7837	86	102	128	18	106	11	17.5	11	20
45-10B1	45	10	46.4	39.91	6.350	2.5x1	45	3116	7953	88	74	132	18	110	11	17.5	11	15
45-10B2	45	10	46.4	39.91	6.350	2.5x2	79	5655	15905	88	104	132	18	110	11	17.5	11	15
45-12B2	45	12	46.8	38.688	7.938	2.5x2	81	7627	19799	96	123	142	22	117	13	20	13	20
50-5A2	50	5	50.6	47.324	3.175	1.5x2	48	1447	5382	80	63	114	16	96	9	14	8.5	15
50-5A3	50	5	50.6	47.324	3.175	1.5x3	73	2051	8072	80	73	114	16	96	9	14	8.5	15
50-6B2	50	6	50.8	46.744	3.969	2.5x2	81	3093	11149	84	75	118	16	100	9	14	8.5	15
50-6C2	50	6	50.8	46.744	3.969	3.5x2	109	4131	15608	84	80	118	15	100	9	14	8.5	15
50-6B3	50	6	50.8	46.744	3.969	2.5x3	119	4384	16723	84	93	118	16	100	9	14	8.5	15
50-8B2	50	8	51	46.132	4.763	2.5x2	84	4004	13409	87	88	128	18	107	11	17.5	11	15
50-8B3	50	8	51	46.132	4.763	2.5x3	124	5674	20114	87	112	128	18	107	11	17.5	11	15
50-10B2	50	10	51.4	44.91	6.350	2.5x2	87	5923	17670	94	104	135	18	114	11	17.5	11	15
50-10B3	50	10	51.4	44.91	6.350	2.5x3	129	8394	26505	94	134	135	18	114	11	17.5	11	15
50-10C1	50	10	51.4	44.91	6.350	3.5x1	60	4393	12481	94	84	135	18	114	11	17.5	11	15
50-12B1	50	12	51.8	43.688	7.938	2.5x1	46	4420	11047	102	87	150	22	125	13	20	13	20
50-12B2	50	12	51.8	43.688	7.938	2.5x2	90	8022	22094	102	123	150	22	125	13	20	13	20
50-12C1	50	12	51.8	43.688	7.938	3.5x1	63	5875	15380	102	99	150	22	125	13	20	13	20
50-30A2	50	30	51.4	44.91	6.350	1.5x2	52	3834	10658	94	160	135	18	114	11	17.5	11	15

Note: Stiffness values listed above value are derived from theoretical formula while axial load is 30% of dynamic load rating without preload.

**FSW Type** ◀ Standard Product

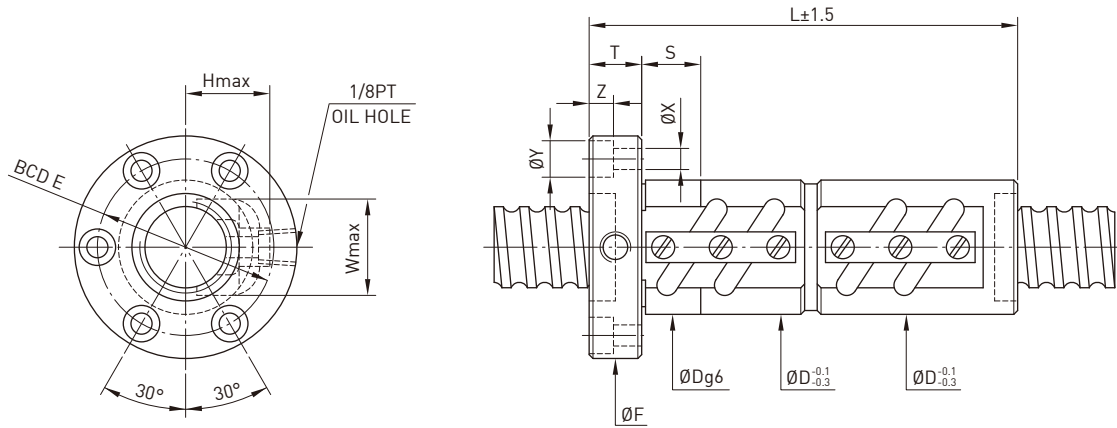


Model	Size		P.C.D.	RD	Ball Dia.	Circuits	Stiffness K (kgf/μm)	Dynamic Load C (kgf)	Static Load Co (kgf)	Nut		Flange			Bolt			Fit
	Nominal Dia.	Lead								D	L	F	T	BCD-E	X	Y	Z	
55-10B2	55	10	56.4	49.91	6.350	2.5x2	93	6071	19592	102	103	144	18	122	11	17.5	11	20
55-10C1	55	10	56.4	49.91	6.350	3.5x1	66	4562	13661	100	84	140	18	118	11	17.5	11	20
55-12B2	55	12	56.8	48.688	7.938	2.5x2	95	8392	24390	105	123	154	22	127	13	20	13	20
60-12B2	60	12	61.8	53.688	7.938	2.5x2	101	8742	26685	112	135	154	18	132	11	17.5	11	20
63-8A2	63	8	64	59.132	4.763	1.5x2	54	2826	10129	104	76	146	18	124	11	17.5	11	20
63-8A3	63	8	64	59.132	4.763	1.5x3	80	4004	15193	104	92	146	18	124	11	17.5	11	20
63-10B2	63	10	64.4	57.91	6.350	2.5x2	104	6533	22371	110	107	152	20	130	11	17.5	11	20
63-10B3	63	10	64.4	57.91	6.350	2.5x3	154	9528	33556	110	137	152	20	130	11	17.5	11	20
63-12B2	63	12	64.8	56.688	7.938	2.5x2	109	8943	28062	118	124	166	22	141	13	20	13	20
63-16B2	63	16	65.2	55.466	9.525	2.5x2	141	14862	46009	124	153	172	22	147	13	20	13	20
63-20B2	63	20	65.2	55.466	9.525	2.5x2	141	14862	46009	124	176	172	22	147	13	20	13	20
70-10B2	70	10	71.4	64.91	6.350	2.5x2	115	6843	25011	124	109	170	20	145	13	20	13	20
70-10B3	70	10	71.4	64.91	6.350	2.5x3	170	9698	37516	124	139	170	20	145	13	20	13	20
70-12B2	70	12	71.8	63.688	7.938	2.5x2	120	9382	31275	130	125	178	22	152	13	20	13	20
70-12B3	70	12	71.8	63.688	7.938	2.5x3	170	13296	46912	130	159	178	22	152	13	20	13	20
80-10B2	80	10	81.4	74.91	6.350	2.5x2	126	7202	28538	130	109	178	22	152	13	20	13	20
80-10B3	80	10	81.4	74.91	6.350	2.5x3	186	10207	42807	130	139	178	22	152	13	20	13	20
80-12B2	80	12	81.8	73.688	7.938	2.5x2	130	9797	35422	136	125	185	22	159	13	20	13	20
80-12B3	80	12	81.8	73.688	7.938	2.5x3	192	13844	53132	136	159	185	22	159	13	20	13	20
80-16B2	80	16	82.2	72.466	9.525	2.5x2	171	16485	58851	145	156	210	28	174	18	26	17.5	25
80-16B3	80	16	82.2	72.466	9.525	2.5x3	252	23363	88276	145	204	210	28	174	18	26	17.5	25
80-20B2	80	20	82.2	72.466	9.525	2.5x2	171	16485	58851	145	185	210	28	174	18	26	17.5	25
80-20B3	80	20	82.2	72.466	9.525	2.5x3	252	23363	88276	145	245	210	28	174	18	26	17.5	25
100-12B2	100	12	101.8	93.688	7.938	2.5x2	156	10761	44596	160	132	224	24	188	18	26	17.5	25
100-12B3	100	12	101.8	93.688	7.938	2.5x3	229	15251	66894	160	168	224	24	188	18	26	17.5	25
100-16B2	100	16	102.2	92.466	9.525	2.5x2	200	18123	77425	170	162	248	32	205	22	32	21.5	30
100-16B3	100	16	102.2	92.466	9.525	2.5x3	305	25684	111637	170	212	248	32	205	22	32	21.5	30
100-20B2	100	20	102.2	92.466	9.525	2.5x2	200	18123	74425	170	190	248	32	205	22	32	21.5	30
100-20B3	100	20	102.2	92.466	9.525	2.5x3	305	25684	111637	170	250	248	32	205	22	32	21.5	30

Note: Stiffness values listed above value are derived from theoretical formula while axial load is 30% of dynamic load rating without preload.



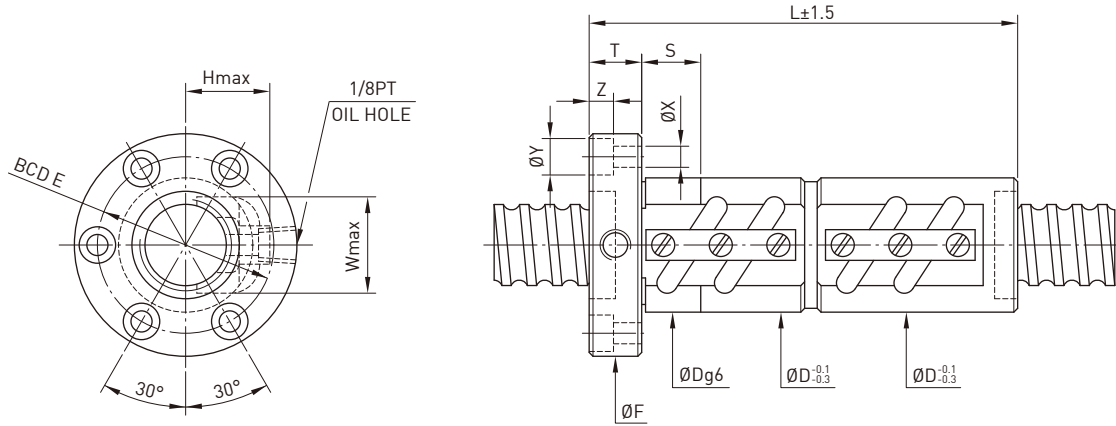
**FDV Type** ◀ Standard Product



Model	Size		P.C.D.	RD	Ball Dia.	Circuits	Stiffness K (kgf/μm)	Dynamic Load C (kgf)	Static Load Co (kgf)	Nut		Flange			Return Tube		Bolt			Fit
	Nominal Dia.	Lead								D	L	F	T	BCD-E	W	H	X	Y	Z	
16-5B1	16	5	16.6	13.324	3.175	2.5x1	32	763	1400	31	80	54	12	41	24	22	5.5	9.5	5.5	24
16-5B2	16	5	16.6	13.324	3.175	2.5x2	65	1385	2799	31	110	54	12	41	24	22	5.5	9.5	5.5	24
16-5C1	16	5	16.6	13.324	3.175	3.5x1	46	1013	1946	31	90	54	12	41	24	22	5.5	9.5	5.5	24
20-5B1	20	5	20.6	17.324	3.175	2.5x1	38	837	1733	35	80	58	12	46	27	25	5.5	9.5	5.5	24
20-5B2	20	5	20.6	17.324	3.175	2.5x2	76	1519	3465	35	110	58	12	46	27	25	5.5	9.5	5.5	24
20-6B1	20	6	20.8	16.744	3.969	2.5x1	40	1139	2187	36	92	60	12	47	28	27	5.5	9.5	5.5	24
20-6C1	20	6	20.8	16.744	3.969	3.5x1	55	1512	3041	36	104	60	12	47	28	27	5.5	9.5	5.5	24
25-5B1	25	5	25.6	22.324	3.175	2.5x1	46	939	2209	40	80	64	12	52	31	26	5.5	9.5	5.5	24
25-5B2	25	5	25.6	22.324	3.175	2.5x2	90	1704	4417	40	110	64	12	52	31	26	5.5	9.5	5.5	24
25-5C1	25	5	25.6	22.324	3.175	3.5x1	68	1252	3085	40	90	64	12	52	31	26	5.5	9.5	5.5	24
25-6B2	25	6	25.8	21.744	3.969	2.5x2	94	2308	5523	42	128	68	12	55	32	28	6.6	11	6.5	24
25-6C1	25	6	25.8	21.744	3.969	3.5x1	66	1690	3844	42	104	68	12	55	32	28	6.6	11	6.5	24
25-10B1	25	10	26	21.132	4.763	2.5x1	48	1592	3237	45	122	72	16	58	34	29	6.6	11	6.5	24
28-5B1	28	5	28.6	25.324	3.175	2.5x1	51	984	2466	44	80	70	12	56	34	28	6.6	11	6.5	24
28-5B2	28	5	28.6	25.324	3.175	2.5x2	98	1785	4932	44	110	70	12	56	34	28	6.6	11	6.5	24
28-6A2	28	6	28.6	25.324	3.175	1.5x2	59	1150	2960	44	110	70	12	56	34	28	6.6	11	6.5	24
28-8A2	28	8	29	24.132	4.763	1.5x2	62	1960	4348	50	110	75	12	61	38	32	6.6	11	6.5	15
28-10B2	28	10	29	24.132	4.763	2.5x2	102	3060	7299	54	177	94	15	74	37	32	9	14	8.5	30
32-5B1	32	5	32.6	29.324	3.175	2.5x1	55	1039	2833	50	80	76	12	63	38	30	6.6	11	6.5	24
32-5B2	32	5	32.6	29.324	3.175	2.5x2	109	1886	5666	50	110	76	12	63	38	30	6.6	11	6.5	24
32-5C1	32	5	32.6	29.324	3.175	3.5x1	76	1388	3967	50	90	76	12	63	38	30	6.6	11	6.5	24
32-6B1	32	6	32.8	28.744	3.969	2.5x1	57	1409	3510	52	92	78	12	65	39	32	6.6	11	6.5	24
32-6B2	32	6	32.8	28.744	3.969	2.5x2	112	2556	7020	52	128	78	12	65	39	32	6.6	11	6.5	24
32-6C1	32	6	32.8	28.744	3.969	3.5x1	78	1888	4936	52	104	78	12	65	39	32	6.6	11	6.5	24
32-8B1	32	8	33	28.132	4.763	2.5x1	58	1810	4227	54	110	88	16	70	40	33	9	14	8.5	30
32-8B2	32	8	33	28.132	4.763	2.5x2	115	3284	8453	54	158	88	16	70	40	33	9	14	8.5	30
32-8C1	32	8	33	28.132	4.763	3.5x1	82	2428	5948	54	126	88	16	70	40	33	9	14	8.5	30
32-10B1	32	10	33.4	26.91	6.350	2.5x1	58	2651	5600	57	122	91	16	73	44	37	9	14	8.5	30
32-10B2	32	10	33.4	26.91	6.350	2.5x2	118	4810	11199	57	182	91	16	73	44	37	9	14	8.5	30
32-10C1	32	10	33.4	26.91	6.350	3.5x1	86	3519	7785	57	142	91	16	73	44	37	9	14	8.5	30
32-12A2	32	12	33.4	26.91	6.350	1.5x2	72	3035	6555	62	180	108	16	86	44	38	9	14	8.5	15
32-12B1	32	12	33.4	26.91	6.350	2.5x1	62	2650	5599	62	138	108	16	86	44	38	9	14	8.5	20
32-16A2	32	16	33.4	26.91	6.350	1.5x2	72	3035	6555	62	180	108	16	86	44	38	9	14	8.5	20
36-6B1	36	6	36.8	32.744	3.969	2.5x1	62	1486	3969	55	92	82	12	68	42	32	6.6	11	6.5	24
36-6B2	36	6	36.8	32.744	3.969	2.5x2	121	2696	7937	55	128	82	12	68	42	32	6.6	11	6.5	24
36-10B2	36	10	37.4	30.91	6.350	2.5x2	132	5105	12669	62	184	104	18	82	49	40	11	17.5	11	30

Note: Stiffness values listed above are derived from theoretical formula while preload is 10% of dynamic load rating.

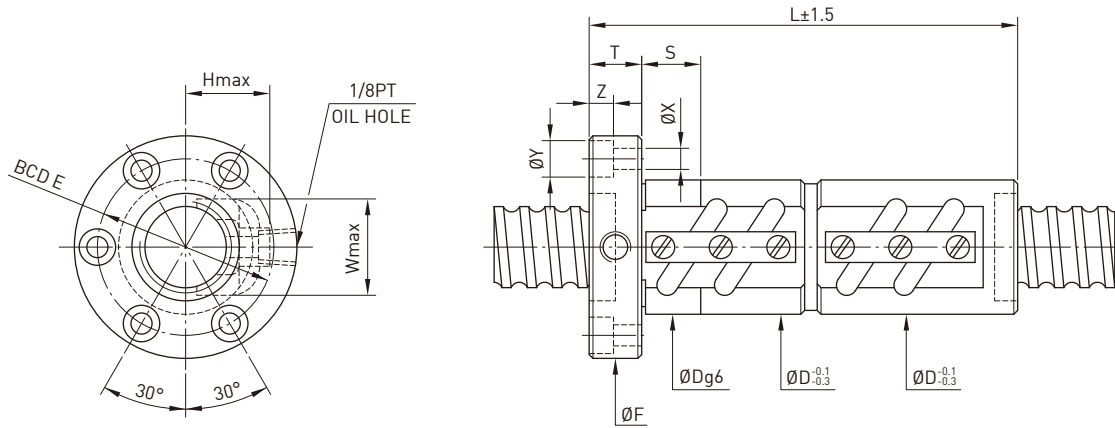
**FDV Type** ◀ Standard Product



Model	Size		P.C.D.	RD	Ball Dia.	Circuits	Stiffness K (kgf/µm)	Dynamic Load C (kgf)	Static Load Co (kgf)	Nut		Flange			Return Tube		Bolt			Fit
	Nominal Dia.	Lead								D	L	F	T	BCD-E	W	H	X	Y	Z	
40-5B1	40	5	40.6	37.324	3.175	2.5x1	65	1141	3567	58	84	92	16	72	46	34	9	14	8.5	30
40-5B2	40	5	40.6	37.324	3.175	2.5x2	132	2071	7134	58	114	92	16	72	46	34	9	14	8.5	30
40-6B2	40	6	40.8	36.744	3.969	2.5x2	136	2817	8855	60	132	94	16	76	47	36	9	14	8.5	30
40-8B1	40	8	41	36.132	4.763	2.5x1	69	2003	5302	62	110	96	16	78	48	38	9	14	8.5	30
40-8B2	40	8	41	36.132	4.763	2.5x2	137	3634	10603	62	158	96	16	78	48	38	9	14	8.5	30
40-8C1	40	8	41	36.132	4.763	3.5x1	96	2679	7438	62	126	96	16	78	48	38	9	14	8.5	30
40-10B1	40	10	41.4	34.91	6.350	2.5x1	72	2959	7069	65	132	106	18	85	52	42	11	17.5	11	30
40-10B2	40	10	41.4	34.91	6.350	2.5x2	145	5370	14138	65	192	106	18	85	52	42	11	17.5	11	30
40-10C1	40	10	41.4	34.91	6.350	3.5x1	102	3932	9841	65	152	106	18	85	52	42	11	17.5	11	30
40-12A2	40	12	41.4	34.91	6.350	1.5x2	88	3402	8316	65	160	106	18	84	52	42	11	17.5	11	20
40-12B1	40	12	41.6	34.299	7.144	2.5x1	70	3425	7837	70	153	112	18	90	55	43	11	17.5	11	40
40-12B2	40	12	41.6	34.299	7.144	2.5x2	141	6217	15674	70	225	112	18	90	55	43	11	17.5	11	40
40-12C1	40	12	41.6	34.299	7.144	3.5x1	103	3932	9841	65	158	106	18	85	52	42	11	17.5	11	30
40-16A2	40	16	41.6	34.299	7.144	1.5x2	88	4006	9404	75	209	117	18	95	53	43	11	17.5	11	40
40-16B1	40	16	41.6	34.299	7.144	2.5x1	118	3425	7837	75	153	117	18	95	53	43	11	17.5	11	40
40-20A1	40	20	41.4	34.91	6.350	1.5x1	44	1874	4158	65	152	106	18	85	52	42	11	17.5	11	30
45-10B1	45	10	46.4	39.91	6.350	2.5x1	76	3116	7953	70	134	112	18	90	58	48	11	17.5	11	30
45-10B2	45	10	46.4	39.91	6.350	2.5x2	156	5655	15905	70	194	112	18	90	58	48	11	17.5	11	30
45-12B2	45	12	46.8	38.688	7.938	2.5x2	162	7627	19799	74	230	122	22	97	60	49	13	20	13	40
50-5A2	50	5	50.6	47.324	3.175	1.5x2	96	1447	5382	70	107	104	16	86	56	40	9	14	8.5	30
50-5A3	50	5	50.6	47.324	3.175	1.5x3	143	2051	8072	70	127	104	16	86	56	40	9	14	8.5	30
50-5B2	50	5	50.6	47.324	3.175	2.5x2	153	2245	8969	70	116	104	16	86	56	40	9	14	8.5	30
50-6B2	50	6	50.8	46.744	3.969	2.5x2	161	3093	11149	72	134	106	16	88	57	43	9	14	8.5	30
50-6B3	50	6	50.8	46.744	3.969	2.5x3	235	4384	16723	72	170	106	16	88	57	43	9	14	8.5	30
50-8B1	50	8	51	46.132	4.763	2.5x1	81	2206	6705	75	112	116	18	95	58	45	11	17.5	11	30
50-8B2	50	8	51	46.132	4.763	2.5x2	165	4004	13409	75	160	116	18	95	58	45	11	17.5	11	30
50-8B3	50	8	51	46.132	4.763	2.5x3	244	5674	20114	75	208	116	18	95	58	45	11	17.5	11	30
50-10B2	50	10	51.4	44.91	6.350	2.5x2	173	5923	17670	78	194	119	18	98	62	48	11	17.5	11	30
50-10B3	50	10	51.4	44.91	6.350	2.5x3	255	8394	26505	78	254	119	18	98	62	48	11	17.5	11	30
50-10C1	50	10	51.4	44.91	6.350	3.5x1	120	4393	12481	78	154	119	18	98	62	48	11	17.5	11	30
50-12B2	50	12	51.8	43.688	7.938	2.5x2	178	8022	22094	82	232	130	22	105	64	52	13	20	13	40
50-12C1	50	12	51.8	43.688	7.938	3.5x1	123	5875	15380	82	184	130	22	105	64	52	13	20	13	40
55-10C1	55	10	56.4	49.91	6.350	3.5x1	132	4562	13661	84	154	125	18	103	68	54	11	17.5	11	40
55-12B2	55	12	56.8	48.688	7.938	2.5x2	185	8392	24390	88	232	136	22	110	70	56	13	20	13	40

Note: Stiffness values listed above are derived from theoretical formula while preload is 10% of dynamic load rating.

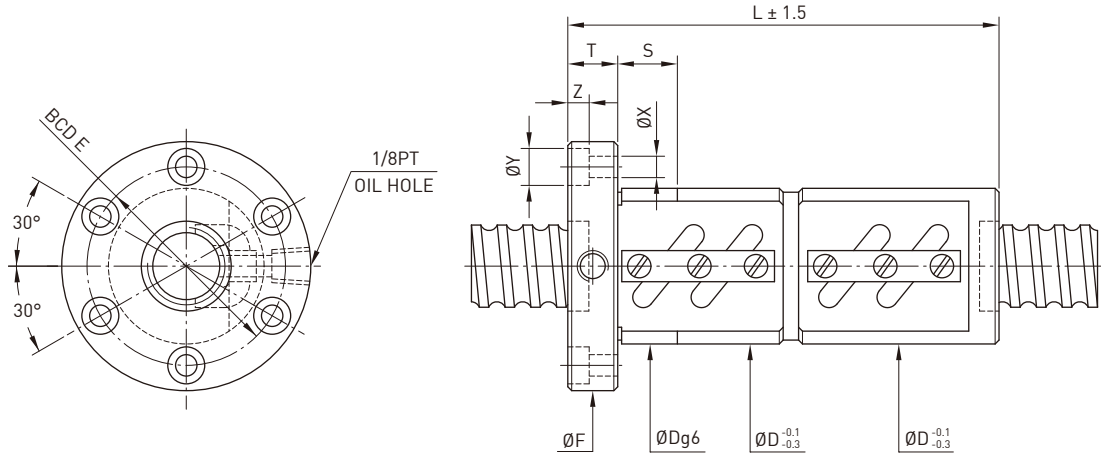
**FDV Type** ◀ Standard Product



Model	Size		P.C.D.	RD	Ball Dia.	Circuits	Stiffness K (kgf/μm)	Dynamic Load C (kgf)	Static Load Co (kgf)	Nut		Flange			Return Tube		Bolt			Fit
	Nominal Dia.	Lead								D	L	F	T	BCD-E	W	H	X	Y	Z	
63-8A2	63	8	64	59.132	4.763	1.5x2	107	2826	10129	87	142	129	18	107	70	50	11	17.5	11	40
63-8A3	63	8	64	59.132	4.763	1.5x3	154	4004	15193	87	171	129	18	107	70	50	11	17.5	11	40
63-10B2	63	10	64.4	57.91	6.350	2.5x2	206	6533	22371	90	196	132	20	110	74	56	11	17.5	11	30
63-10B3	63	10	64.4	57.91	6.350	2.5x3	305	9258	33556	90	256	132	20	110	74	56	11	17.5	11	30
63-12B2	63	12	64.8	56.688	7.938	2.5x2	214	8943	28062	94	232	142	22	117	76	57	13	20	13	40
63-16B2	63	16	65.2	55.466	9.525	2.5x2	280	14862	46009	100	296	150	22	123	78	62	13	20	13	40
63-20B2	63	20	65.2	55.466	9.525	2.5x2	280	14862	46009	100	334	150	22	123	78	62	13	20	13	40
70-10B2	70	10	71.4	64.91	6.350	2.5x2	228	6843	25011	104	196	152	20	128	80	56	13	20	13	40
70-10B3	70	10	71.4	64.91	6.350	2.5x3	334	9698	37516	104	256	152	20	128	80	56	13	20	13	40
70-12B2	70	12	71.8	63.688	7.938	2.5x2	236	9382	31275	110	232	159	22	133	82	58	13	20	13	40
70-12B3	70	12	71.8	63.688	7.938	2.5x3	336	13296	46912	110	302	159	22	133	82	58	13	20	13	40
80-10B2	80	10	81.4	74.91	6.350	2.5x2	251	7202	28538	115	200	163	22	137	90	64	13	20	13	40
80-10B3	80	10	81.4	74.91	6.350	2.5x3	368	10207	42807	115	260	163	22	137	90	64	13	20	13	40
80-12B2	80	12	81.8	73.688	7.938	2.5x2	257	9797	35422	120	232	169	22	143	92	67	13	20	13	40
80-12B3	80	12	81.8	73.688	7.938	2.5x3	380	13884	53132	120	302	169	22	143	92	67	13	20	13	40
80-16B2	80	16	82.2	72.466	9.525	2.5x2	340	16485	58851	125	302	190	28	154	94	70	18	26	17.5	50
80-16B3	80	16	82.2	72.466	9.525	2.5x3	498	23363	88276	125	398	190	28	154	94	70	18	26	17.5	50
80-20B2	80	20	82.2	72.466	9.525	2.5x2	338	16485	58851	125	345	190	28	154	94	70	18	26	17.5	50
80-20B3	80	20	82.2	72.466	9.525	2.5x3	498	23363	88276	125	470	190	28	154	94	70	18	26	17.5	50
100-12B2	100	12	101.8	93.688	7.938	2.5x2	301	10761	44596	145	240	209	28	173	112	76	18	26	17.5	50
100-12B3	100	12	101.8	93.688	7.938	2.5x3	452	15251	66894	145	312	209	28	173	112	76	18	26	17.5	50
100-16B2	100	16	102.2	92.466	9.525	2.5x2	400	18125	74425	150	308	228	32	185	114	80	22	32	21.5	60
100-16B3	100	16	102.2	92.466	9.525	2.5x3	595	25684	111637	150	404	228	32	185	114	80	22	32	21.5	60
100-20B2	100	20	102.2	92.466	9.525	2.5x2	400	18123	74425	150	350	228	32	185	114	80	22	32	21.5	60
100-20B3	100	20	102.2	92.466	9.525	2.5x3	595	25684	111637	150	475	228	32	185	114	80	22	32	21.5	60

Note: Stiffness values listed above are derived from theoretical formula while preload is 10% of dynamic load rating.

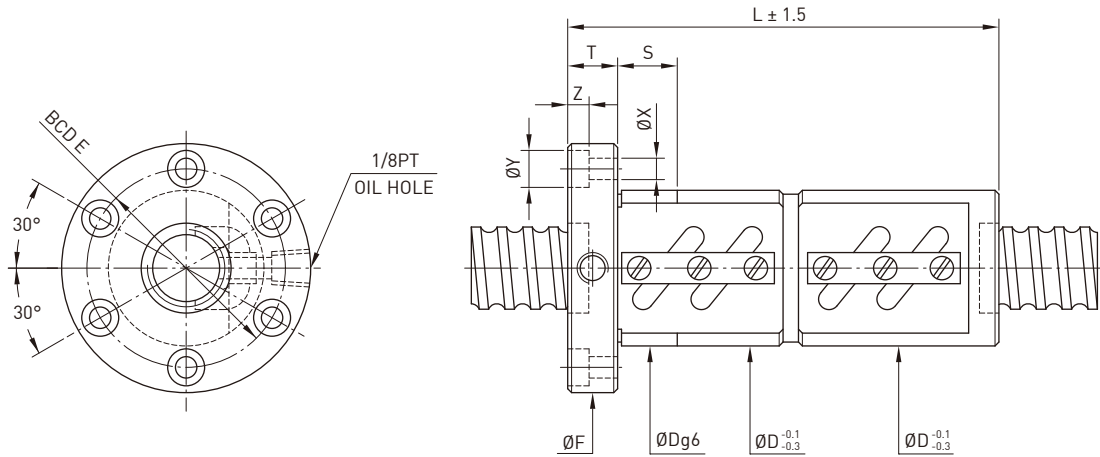
**FDW Type** ◀ Standard Product



Model	Size		P.C.D.	RD	Ball Dia.	Circuits	Stiffness K (kgf/μm)	Dynamic Load C (kgf)	Static Load Co (kgf)	Nut		Flange			Bolt			Fit
	Nominal Dia.	Lead								D	L	F	T	BCD-E	X	Y	Z	
16-5B2	16	5	16.6	13.324	3.175	2.5x2	65	1385	2799	40	110	64	12	51	5.5	9.5	5.5	24
16-5B1	16	5	16.6	13.324	3.175	2.5x1	32	763	1400	40	80	64	12	51	5.5	9.5	5.5	24
16-5C1	16	5	16.6	13.324	3.175	3.5x1	46	1013	1946	40	90	64	12	51	5.5	9.5	5.5	24
20-5B1	20	5	20.6	17.324	3.175	2.5x1	38	837	1733	44	80	68	12	55	5.5	9.5	5.5	24
20-5B2	20	5	20.6	17.324	3.175	2.5x2	76	1519	3465	44	110	68	12	55	5.5	9.5	5.5	24
20-6B1	20	6	20.8	16.744	3.969	2.5x1	40	1139	2187	48	92	72	12	59	5.5	9.5	5.5	24
20-6C1	20	6	20.8	16.744	3.969	3.5x1	55	1512	3041	48	104	72	12	59	5.5	9.5	5.5	24
25-5A2	25	5	25.6	22.324	3.175	1.5x2	54	1092	2622	50	102	73	12	61	5.5	9.5	5.5	24
25-5B1	25	5	25.6	22.324	3.175	2.5x1	46	939	2209	50	80	74	12	62	5.5	9.5	5.5	24
25-5B2	25	5	25.6	22.324	3.175	2.5x2	90	1704	4417	50	110	74	12	62	5.5	9.5	5.5	24
25-5C1	25	5	25.6	22.324	3.175	3.5x1	68	1252	3085	50	90	74	12	62	5.5	9.5	5.5	24
25-6B2	25	6	25.8	21.744	3.969	2.5x2	94	2304	5524	56	128	82	12	69	6.6	11	6.5	24
25-6C1	25	6	25.8	21.744	3.969	3.5x1	66	1690	3844	56	104	82	12	69	6.6	11	6.5	24
25-10B1	25	10	26	21.132	4.763	2.5x1	48	1592	3237	60	122	86	16	73	6.6	11	6.5	24
28-5B1	28	5	28.6	25.324	3.175	2.5x1	51	984	2466	55	80	85	12	69	6.6	11	6.5	24
28-5B2	28	5	28.6	25.324	3.175	2.5x2	98	1785	4932	55	110	85	12	69	6.6	11	6.5	24
28-6A2	28	6	28.6	25.324	3.175	1.5x2	59	1150	2960	55	110	85	12	69	6.6	11	6.5	24
28-6B2	28	6	28.6	25.324	3.175	2.5x2	98	1776	4980	55	123	85	12	69	6.6	11	6.5	24
32-4B2	32	4	32.25	29.792	2.381	2.5x2	91	1071	3582	54	93	81	12	67	6.6	11	6.5	24
32-5B1	32	5	32.6	29.324	3.175	2.5x1	55	1039	2833	58	80	84	12	71	6.6	11	6.5	24
32-5B2	32	5	32.6	29.324	3.175	2.5x2	109	1886	5666	58	110	84	12	71	6.6	11	6.5	24
32-5C1	32	5	32.6	29.324	3.175	3.5x1	76	1388	3967	58	90	84	12	71	6.6	11	6.5	24
32-6B1	32	6	32.8	28.744	3.969	2.5x1	57	1409	3510	62	92	88	12	75	6.6	11	6.5	24
32-6B2	32	6	32.8	28.744	3.969	2.5x2	112	2556	7020	62	128	88	12	75	6.6	11	6.5	24
32-6C1	32	6	32.8	28.744	3.969	3.5x1	78	1888	4936	62	104	88	12	75	6.6	11	6.5	24
32-8A2	32	8	33	28.132	4.763	1.5x2	70	2082	5151	66	135	100	15	82	9	14	8.5	30
32-8B1	32	8	33	28.132	4.763	2.5x1	58	1810	4227	66	110	100	16	82	9	14	8.5	30
32-8B2	32	8	33	28.132	4.763	2.5x2	115	3284	8453	66	158	100	16	82	9	14	8.5	30
32-8B3	32	8	33	28.132	4.763	2.5x3	168	4653	12678	74	205	108	16	90	9	14	8.5	30
32-8C1	32	8	33	28.132	4.763	3.5x1	82	2428	5948	66	126	100	16	82	9	14	8.5	30
32-10A2	32	10	33.4	26.91	6.350	1.5x2	72	3051	6612	74	167	108	15	90	9	14	8.5	30
32-10B1	32	10	33.4	26.91	6.350	2.5x1	58	2651	5600	74	122	108	16	90	9	14	8.5	30
32-10B2	32	10	33.4	26.91	6.350	2.5x2	118	4810	11199	74	182	108	16	90	9	14	8.5	30
32-10C1	32	10	33.4	26.91	6.350	3.5x1	86	3519	7785	74	142	108	16	90	9	14	8.5	30
32-12B1	32	12	33.4	26.91	6.350	2.5x1	62	2602	5510	74	153	108	18	90	9	14	8.5	30
32-12B2	32	12	33.4	26.91	6.350	2.5x2	118	4810	11199	74	232	108	16	90	9	14	8.5	30
32-12C1	32	12	33.4	26.91	6.350	3.5x1	84	3518	7784	74	166	108	16	90	9	14	8.5	30

Note: Stiffness values listed above are derived from theoretical formula while preload is 10% of dynamic load rating.

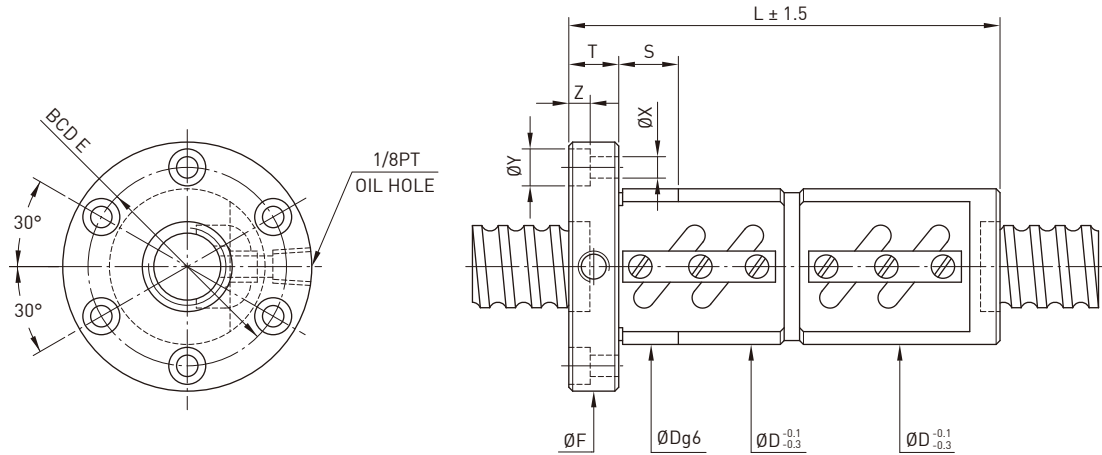
**FDW Type** ◀ Standard Product



Model	Size		P.C.D.	RD	Ball Dia.	Circuits	Stiffness K (kgf/μm)	Dynamic Load C (kgf)	Static Load Co (kgf)	Nut		Flange			Bolt			Fit
	Nominal Dia.	Lead								D	L	F	T	BCD-E	X	Y	Z	
36-6B1	36	6	36.8	32.744	3.969	2.5x1	62	1486	3969	65	92	100	12	82	6.6	11	6.5	24
36-6B2	36	6	36.8	32.744	3.969	2.5x2	121	2696	7937	65	128	100	12	82	6.6	11	6.5	24
36-12A2	36	12	37	32.132	4.763	1.5x2	80	2557	6693	70	155	108	15	90	9	14	8.5	30
36-12B1	36	12	37.4	30.91	6.350	2.5x1	67	2812	6334	75	126	120	16	98	11	17.5	11	30
36-10B2	36	10	37.4	30.91	6.350	2.5x2	132	5105	12669	75	184	120	18	98	11	17.5	11	30
36-12B2	36	12	37.4	30.91	6.350	2.5x2	130	5105	12668	75	206	120	18	98	11	17.5	11	30
36-8A2	36	8	37	32.132	4.763	1.5x2	77	2217	5669	70	135	108	15	90	9	14	8.5	30
36-8B2	36	8	37	32.132	4.763	2.5x2	126	3489	9606	70	158	108	15	90	9	14	8.5	30
40-5B1	40	5	40.6	37.324	3.175	2.5x1	65	1141	3567	68	84	102	16	84	9	14	8.5	~
40-5B2	40	5	40.6	37.324	3.175	2.5x2	132	2071	7134	68	114	102	16	84	9	14	8.5	30
40-6B2	40	6	40.8	36.744	3.969	2.5x2	136	2817	8855	70	132	104	16	86	9	14	8.5	30
40-8B1	40	8	41	36.132	4.763	2.5x1	69	2003	5302	74	110	108	16	90	9	14	8.5	30
40-8B2	40	8	41	36.132	4.763	2.5x2	137	3634	10603	74	158	108	16	90	9	14	8.5	30
40-8B3	40	8	41	36.132	4.763	2.5x3	200	5150	15904	74	210	108	15	90	9	14	8.5	30
40-8C1	40	8	41	36.132	4.763	3.5x1	96	2679	7438	74	126	108	16	90	9	14	8.5	30
40-10A2	40	10	41.4	34.91	6.350	1.5x2	87	3418	8398	82	170	124	18	102	11	17.5	11	30
40-10B1	40	10	41.4	34.91	6.350	2.5x1	72	2959	7069	84	132	125	18	104	11	17.5	11	30
40-10B2	40	10	41.4	34.91	6.350	2.5x2	145	5370	14138	84	192	125	18	104	11	17.5	11	30
40-10C1	40	10	41.4	34.91	6.350	3.5x1	102	3932	9841	84	152	125	18	104	11	17.5	11	30
40-12A2	40	12	41.6	34.299	7.144	1.5x2	88	4006	9404	86	160	128	18	106	11	17.5	11	30
40-12B1	40	12	41.6	34.299	7.144	2.5x1	70	3425	7837	86	153	128	18	106	11	17.5	11	40
40-12B2	40	12	41.6	34.299	7.144	2.5x2	141	6217	15674	86	225	128	18	106	11	17.5	11	40
40-12C1	40	12	41.6	34.299	7.144	3.5x1	103	4637	11146	86	179	128	18	106	11	17.5	11	30
40-16A2	40	16	41.6	34.299	7.144	1.5x2	83	4007	9405	86	214	128	18	106	11	17.5	11	40
40-16B1	40	16	41.6	34.299	7.144	2.5x1	72	3425	7837	86	182	128	18	106	11	17.5	11	40
40-16B2	40	16	41.6	34.299	7.144	2.5x2	143	6216	15674	86	272	128	22	106	11	17.5	11	30
45-10B1	45	10	46.4	39.91	6.350	2.5x1	76	3111	7953	88	134	132	18	110	11	17.5	11	30
45-10B2	45	10	46.4	39.91	6.350	2.5x2	156	5655	15905	88	194	132	18	110	11	17.5	11	30
45-12B2	45	12	46.8	38.688	7.938	2.5x2	162	7627	19799	96	230	142	22	117	13	20	13	40
45-16B2	45	16	46.6	39.299	7.144	2.5x2	158	6636	17895	90	278	132	18	110	11	17.5	11	30
50-5A2	50	5	50.6	47.324	3.175	1.5x2	96	1447	5382	80	107	114	16	96	9	14	8.5	30
50-5A3	50	5	50.6	47.324	3.175	1.5x3	143	2051	8072	80	127	114	16	96	9	14	8.5	30
50-6B2	50	6	50.8	46.744	3.969	2.5x2	161	3093	11149	84	134	118	16	100	9	14	8.5	30
50-6B3	50	6	50.8	46.744	3.969	2.5x3	235	4384	16723	84	170	118	16	100	9	14	8.5	30
50-8B1	50	8	51	46.132	4.763	2.5x1	81	2206	6705	87	112	128	18	107	11	17.5	11	30
50-8B2	50	8	51	46.132	4.763	2.5x2	165	4004	13409	87	160	128	18	107	11	17.5	11	30
50-8B3	50	8	51	46.132	4.763	2.5x3	244	5674	20114	87	208	128	18	107	11	17.5	11	30
50-10B1	50	10	51.4	44.91	6.350	2.5x1	88	3245	8918	93	133	135	18	113	11	17.5	11	30

Note: Stiffness values listed above are derived from theoretical formula while preload is 10% of dynamic load rating.

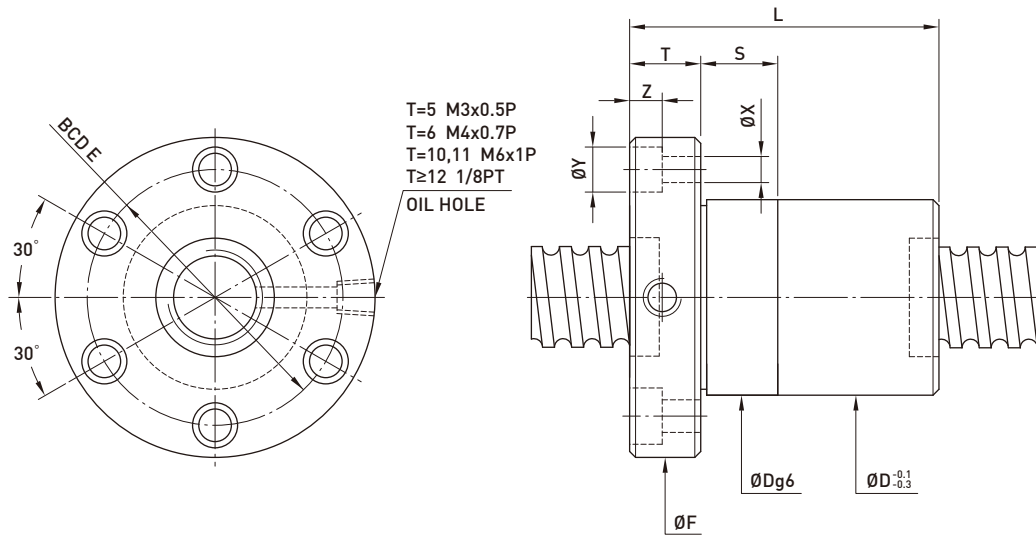
**FDW Type** ◀ Standard Product



Model	Size		P.C.D.	RD	Ball Dia.	Circuits	Stiffness K (kgf/μm)	Dynamic Load C (kgf)	Static Load Co (kgf)	Nut		Flange			Bolt			Fit
	Nominal Dia.	Lead								D	L	F	T	BCD-E	X	Y	Z	
50-10B2	50	10	51.4	44.91	6.350	2.5x2	173	5923	17670	94	194	135	18	114	11	17.5	11	30
50-10B3	50	10	51.4	44.91	6.350	2.5x3	255	8394	26505	94	254	135	18	114	11	17.5	11	30
50-10C1	50	10	51.4	44.91	6.350	3.5x1	120	4393	12481	94	154	135	18	114	11	17.5	11	30
50-12B1	50	12	51.8	43.688	7.938	2.5x1	90	4367	10918	100	159	146	22	122	14	20	13	40
50-12B2	50	12	51.8	43.688	7.938	2.5x2	178	8022	22094	102	232	150	22	125	13	20	13	40
50-12C1	50	12	51.8	43.688	7.938	3.5x1	123	5875	15380	102	184	150	22	125	13	20	13	40
50-16B2	50	16	51.8	43.688	7.938	2.5x2	174	7918	21837	100	280	146	22	122	14	20	13	40
50-20B1	50	20	51.8	43.688	7.938	2.5x1	90	4367	10918	100	227	146	28	122	14	20	13	40
55-10C1	55	10	56.4	49.91	6.350	3.5x1	132	4562	13661	100	154	140	18	118	11	17.5	11	40
55-12B2	55	12	56.8	48.688	7.938	2.5x2	185	8392	24390	105	232	154	22	127	13	20	13	40
63-8A2	63	8	64	59.132	4.763	1.5x2	107	2826	10129	104	142	146	18	124	11	17.5	11	40
63-8A3	63	8	64	59.132	4.763	1.5x3	154	4004	15193	104	174	146	18	124	11	17.5	11	40
63-10B2	63	10	64.4	57.91	6.350	2.5x2	206	6533	22371	110	196	152	20	130	11	17.5	11	30
63-10B3	63	10	64.4	57.91	6.350	2.5x3	305	9258	33556	110	256	152	20	130	11	17.5	11	30
63-12B2	63	12	64.8	56.688	7.938	2.5x2	214	8943	28062	118	232	166	22	141	13	20	13	40
63-16B2	63	16	65.2	55.466	9.525	2.5x2	280	14862	46009	124	296	172	22	147	13	20	13	40
63-20B2	63	20	65.2	55.466	9.525	2.5x2	280	14862	46009	124	334	172	22	147	13	20	13	40
70-10B2	70	10	71.4	64.91	6.350	2.5x2	228	6843	25011	124	196	170	20	145	13	20	13	40
70-10B3	70	10	71.4	64.91	6.350	2.5x3	334	9698	37516	124	256	170	20	145	13	20	13	40
70-12B2	70	12	71.8	63.688	7.938	2.5x2	236	9382	31275	130	232	178	22	152	13	20	13	40
70-12B3	70	12	71.8	63.688	7.938	2.5x3	336	13296	46912	130	302	178	22	152	13	20	13	40
70-20B2	70	20	72.2	62.466	9.525	2.5x2	300	15644	51502	130	325	186	28	158	18	26	17.5	60
80-10B2	80	10	81.4	74.91	6.350	2.5x2	251	7202	28538	130	200	178	22	152	13	20	13	40
80-10B3	80	10	81.4	74.91	6.350	2.5x3	368	10207	42807	130	260	178	22	152	13	20	13	40
80-12B2	80	12	81.8	73.688	7.938	2.5x2	257	9797	35422	136	232	185	22	159	13	20	13	40
80-12B3	80	12	81.8	73.688	7.938	2.5x3	380	13884	53132	136	302	185	22	159	13	20	13	40
80-16B2	80	16	82.2	72.466	9.525	2.5x2	340	16485	58851	145	302	210	28	174	18	26	17.5	50
80-16B3	80	16	82.2	72.466	9.525	2.5x3	498	23363	88276	145	398	210	28	174	18	26	17.5	50
80-20B2	80	20	82.2	72.466	9.525	2.5x2	338	16485	58851	145	345	210	28	174	18	26	17.5	50
80-20B3	80	20	82.2	72.466	9.525	2.5x3	498	23363	88276	145	470	210	28	174	18	26	17.5	50
100-12B2	100	12	101.8	93.688	7.938	2.5x2	301	10761	44596	160	240	224	28	188	18	26	17.5	50
100-12B3	100	12	101.8	93.688	7.938	2.5x3	452	15251	66894	160	312	224	28	188	18	26	17.5	50
100-16B2	100	16	102.2	92.466	9.525	2.5x2	400	18123	74425	170	308	248	32	205	22	32	21.5	60
100-16B3	100	16	102.2	92.466	9.525	2.5x3	595	25684	111637	170	404	248	32	205	22	32	21.5	60
100-20B2	100	20	102.2	92.466	9.525	2.5x2	400	18123	74425	170	350	248	32	205	22	32	21.5	60
100-20B3	100	20	102.2	92.466	9.525	2.5x3	595	25684	111637	170	475	248	32	205	22	32	21.5	60

Note: Stiffness values listed above are derived from theoretical formula while preload is 10% of dynamic load rating.

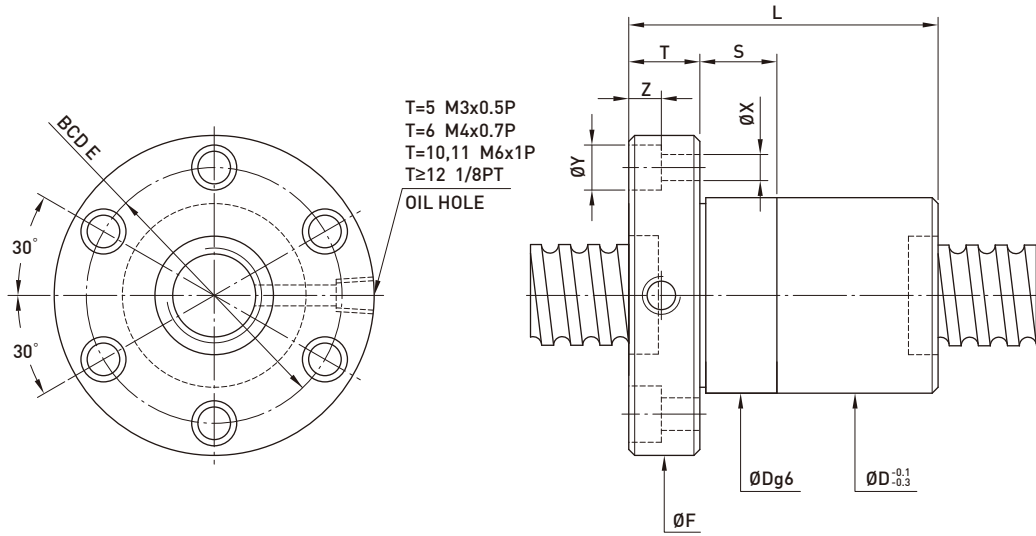
**FSI Type** ◀ Standard Product



Model	Size		P.C.D.	RD	Ball Dia.	Circuits	Stiffness K (kgf/µm)	Dynamic Load C (kgf)	Static Load Co (kgf)	Nut		Flange			Bolt				Fit
	Nominal Dia.	Lead								D	L	F	T	BCD-E	X	Y	Z	S	
8-2.5T3	8	2.5	8.2	6.652	1.500	3	8	170	267	18	28	35	5	27	4.5	0	0	0	
14-2.54T3	14	2.54	14.2	12.136	2.000	3	12	339	655	30	39	50	10.6	40	5	7	5	0	
14-4T3	14	4	14.2	12.136	2.000	3	12	339	655	26	33	48	6	36	5.5	0	0	0	
16-2T3	16	2	16.2	14.652	1.500	3	14	252	593	27	36	44	10	34	4.5	8	4.5	0	
16-2.5T4	16	2.5	16.2	14.652	1.500	4	19	358	862	27	44	44	10	34	4.5	8	4.5	12	
16-5T3	16	5	16.6	13.324	3.175	3	11	731	1331	30	46	54	12	41	5.5	9.5	5.5	12	
16-5T4	16	5	16.6	13.324	3.175	4	12	936	1775	30	52	54	12	41	5.5	9.5	5.5	12	
16-6T4	16	6	16.6	13.324	3.175	4	21	936	1775	32	58	54	12	42	5.5	9.5	5.5	12	
20-2T6	20	2	20.2	18.652	1.500	6	32	518	1551	32	52	52	10	40	5.5	9.5	5.5	12	
20-2T4	20	2	20.2	18.652	1.500	4	36	399	1112	32	40	52	10	40	5.5	9.5	5.5	12	
20-2.5T5	20	2.5	20.2	18.136	2.000	5	28	637	1635	36	51	59	12	47	5.5	9.5	5.5	12	
20-2.54T6	20	2.54	20.2	18.136	2.000	6	33	745	1962	36	55	59	12	47	5.5	9.5	5.5	12	
20-4T3	20	4	20.25	17.792	2.381	3	17	509	1134	36	40	59	10	47	5.5	9.5	5.5	12	
20-5T3	20	5	20.6	17.324	3.175	3	20	852	1767	34	46	57	12	45	5.5	9.5	5.5	12	
20-5T4	20	5	20.6	17.324	3.175	4	27	1091	2356	34	53	57	12	45	5.5	9.5	5.5	12	
20-6T3	20	6	20.8	16.744	3.969	3	20	1091	2081	36	51	60	12	48	5.5	9.5	5.5	12	
20-6T4	20	6	20.8	16.744	3.969	4	27	1398	2774	36	61	60	12	48	5.5	9.5	5.5	12	
20-10T3	20	10	20.8	16.744	3.969	3	20	1091	2080	35	64	57	12	45	5.5	9.5	5.5	12	
25-2T6	25	2	25.2	23.652	1.500	6	39	560	1960	36	50	58	10	46	5.5	9.5	5.5	12	
25-2T4	25	2	25.2	23.652	1.500	4	27	395	1307	36	40	58	10	46	5.5	9.5	5.5	12	
25-2T3	25	2	25.2	23.652	1.500	3	20	309	980	36	35	58	10	46	5.5	9.5	5.5	12	
25-2.5T5	25	2.5	25.2	23.136	2.000	5	34	716	2117	40	52	64	10	51	6.6	11	6.5	12	
25-4T4	25	4	25.25	22.792	2.381	4	28	747	1989	40	53	64	12	51	5.5	9.5	5.5	12	
25-5T3	25	5	25.6	22.324	3.175	3	28	977	2314	40	46	63	11	51	5.5	9.5	5.5	10	
25-5T4	25	5	25.6	22.324	3.175	4	37	1252	3085	40	51	63	11	51	5.5	9.5	5.5	10	
25-5T5	25	5	25.6	22.324	3.175	5	40	1516	3856	40	56	63	11	51	5.5	9.5	5.5	10	
25-5T6	25	5	25.6	22.324	3.175	6	48	1773	4627	40	65	63	11	51	5.5	9.5	5.5	10	
25-6T3	25	6	25.8	21.744	3.969	3	28	1272	2762	42	51	65	12	53	5.5	9.5	5.5	12	
25-6T4	25	6	25.8	21.744	3.969	4	37	1628	3682	42	61	65	12	53	5.5	9.5	5.5	12	
25-10T3	25	10	26	21.132	4.763	3	25	1591	3236	45	65	69	15	55	6.6	11	6.5	12	
25-10T4	25	10	26	21.132	4.763	4	33	2038	4315	45	80	69	15	55	6.6	11	6.5	12	

Note: Stiffness values listed above value are derived from theoretical formula while axial load is 30% of dynamic load rating without preload.

**FSI Type** ◀ Standard Product

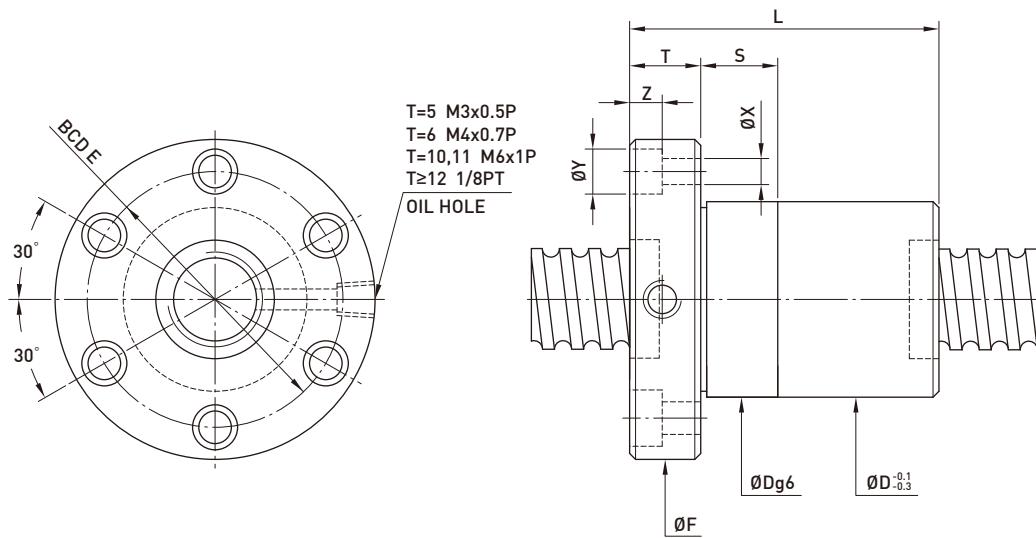


Model	Size		P.C.D.	RD	Ball Dia.	Circuits	Stiffness K (kgf/μm)	Dynamic Load C (kgf)	Static Load Co (kgf)	Nut		Flange			Bolt			Fit	
	Nominal Dia.	Lead								D	L	F	T	BCD-E	X	Y	Z		S
32-5T3	32	5	32.6	29.324	3.175	3	33	1117	3081	44	48	46	74	12	60	6.6	11	6.5	12
32-5T4	32	5	32.6	29.324	3.175	4	42	1431	4108	44	48	53	74	12	60	6.6	11	6.5	12
32-5T6	32	5	32.6	29.324	3.175	6	63	2027	6162	44	48	66	74	12	60	6.6	11	6.5	12
32-6T3	32	6	32.8	28.744	3.969	3	33	1446	3620	45	50	51	76	12	62	6.6	11	6.5	12
32-6T4	32	6	32.8	28.744	3.969	4	43	1852	4826	45	50	61	76	12	62	6.6	11	6.5	12
32-6T6	32	6	32.8	28.744	3.969	6	65	2625	7239	45	50	75	76	12	62	6.6	11	6.5	12
32-8T3	32	8	33	28.132	4.763	3	35	1810	4227	47	52	63	78	16	64	6.6	11	6.5	12
32-8T4	32	8	33	28.132	4.763	4	47	2317	5635	47	52	74	78	16	64	6.6	11	6.5	12
32-10T3	32	10	33.4	26.91	6.350	3	35	2539	5327	51	56	72	82	16	68	6.6	11	6.5	12
32-10T4	32	10	33.4	26.91	6.350	4	48	3252	7102	51	56	83	82	16	68	6.6	11	6.5	12
40-5T4	40	5	40.6	37.324	3.175	4	50	1599	5280	51	54	53	80	16	66	6.6	11	6.5	12
40-5T6	40	5	40.6	37.324	3.175	6	74	2265	7919	51	54	66	80	16	66	6.6	11	6.5	12
40-5.08T6	40	5.08	40.6	37.324	3.175	6	74	2265	7919	53	56	65	90	15	72	9	14	8.5	15
40-6T4	40	6	40.8	36.744	3.969	4	50	2136	6420	53	56	65	88	16	72	9	14	8.5	15
40-6T6	40	6	40.8	36.744	3.969	6	74	3028	9630	53	56	79	88	16	72	9	14	8.5	15
40-8T4	40	8	41	36.132	4.763	4	52	2728	7596	55	60	78	92	16	75	9	14	8.5	15
40-8T6	40	8	41	36.132	4.763	6	76	3866	11394	55	60	99	92	16	75	9	14	8.5	15
40-10T3	40	10	41.4	34.91	6.350	3	40	2959	7069	60	65	76	96	16	80	9	14	8.5	15
40-10T4	40	10	41.4	34.91	6.350	4	51	3789	9426	60	65	87	96	16	80	9	14	8.5	15
50-5T4	50	5	50.6	47.324	3.175	4	62	1757	6745	62	65	57	96	16	80	9	14	8.5	15
50-5T6	50	5	50.6	47.324	3.175	6	91	2490	10117	62	65	70	96	16	80	9	14	8.5	15
50-6T4	50	6	50.8	46.744	3.969	4	62	2388	8250	64	68	65	100	16	84	9	14	8.5	15
50-6T6	50	6	50.8	46.744	3.969	6	93	3384	12375	64	68	79	100	16	84	9	14	8.5	15
50-8T4	50	8	51	46.132	4.763	4	62	2998	9578	65	70	78	102	16	85	9	14	8.5	15
50-8T6	50	8	51	46.132	4.763	6	92	4249	14367	65	70	99	102	16	85	9	14	8.5	15
50-10T3	50	10	51.4	44.91	6.350	3	50	3397	9256	69	74	78	114	18	92	11	17.5	11	20
50-10T4	50	10	51.4	44.91	6.350	4	63	4350	12341	69	74	89	114	18	92	11	17.5	11	20
50-10T6	50	10	51.4	44.91	6.350	6	94	6165	18511	69	74	112	114	18	92	11	17.5	11	20
50-12T3	50	12	51.8	43.688	7.938	3	50	4420	11047	73	78	90	118	18	96	11	17.5	11	20
50-12T4	50	12	51.8	43.688	7.938	4	63	5660	14730	73	78	103	118	18	96	11	17.5	11	20
50-20T4	50	20	52.2	42.466	9.525	4	80	9327	23955	75	78	186	129	28	105	14	20	13	30

Note: 1. Stiffness values listed above value are derived from theoretical formula while axial load is 30% of dynamic load rating without preload.  
2. The smaller value of NTD is the minimum nut diameter available.



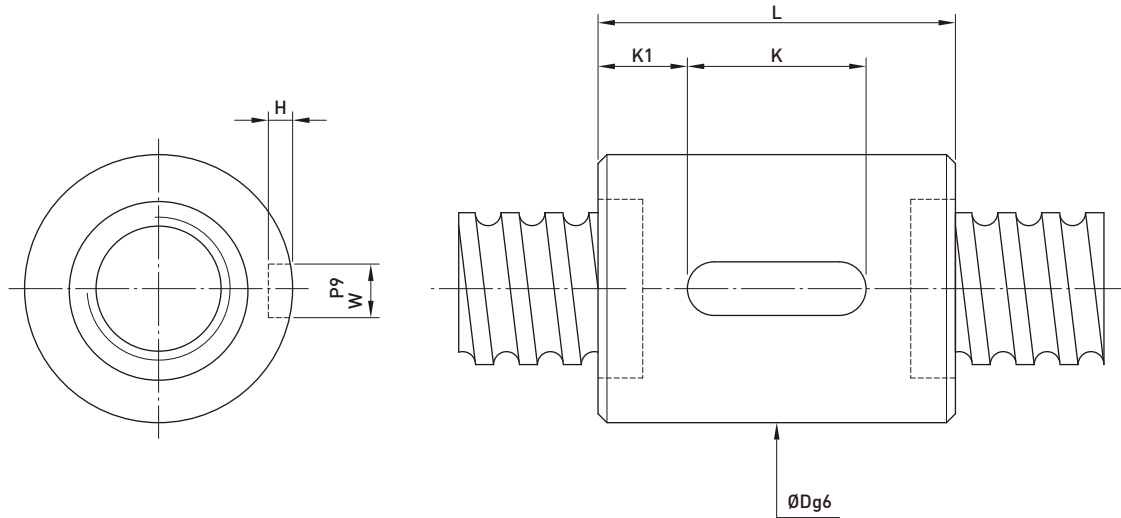
**FSI Type** ◀ Standard Product



Model	Size		P.C.D.	RD	Ball Dia.	Circuits	Stiffness K (kgf/µm)	Dynamic Load C (kgf)	Static Load Co (kgf)	Nut		Flange			Bolt			Fit	
	Nominal Dia.	Lead								D	L	F	T	BCD-E	X	Y	Z		S
63-6T4	63	6	63.8	59.744	3.969	4	75	2614	10542	78	80	66	119	18	98	11	17.5	11	20
63-6T6	63	6	63.8	59.744	3.969	6	113	3704	15813	78	80	81	119	18	98	11	17.5	11	20
63-8T4	63	8	64	59.132	4.763	4	77	3395	12541	79	82	80	122	18	100	11	17.5	11	20
63-8T6	63	8	64	59.132	4.763	6	114	4812	18811	79	82	101	122	18	100	11	17.5	11	20
63-10T4	63	10	64.4	57.91	6.350	4	79	4860	15858	82	88	91	134	20	110	14	20	13	20
63-10T6	63	10	64.4	57.91	6.350	6	115	6887	23786	82	88	114	134	20	110	14	20	13	20
63-12T4	63	12	64.8	56.688	7.938	4	78	6479	19293	86	92	105	138	20	114	14	20	13	20
63-12T6	63	12	64.8	56.688	7.938	6	113	9182	28939	86	92	133	138	20	114	14	20	13	20
80-10T4	80	10	81.4	74.91	6.350	4	96	5559	21118	99	105	91	152	20	127	14	20	13	20
80-10T6	80	10	81.4	74.91	6.350	6	140	7879	31677	99	105	114	152	20	127	14	20	13	20
80-12T4	80	12	81.8	73.688	7.938	4	97	7430	25681	103	110	109	170	24	138	18	26	17.5	25
80-12T6	80	12	81.8	73.688	7.938	6	141	10530	38521	103	110	137	170	24	138	18	26	17.5	25
80-16T3	80	16	82.2	72.466	9.525	3	95	9663	31622	108	115	118	174	24	143	18	26	17.5	25
80-16T4	80	16	82.2	72.466	9.525	4	130	12375	42162	108	115	136	174	24	143	18	26	17.5	25
80-20T3	80	20	82.2	72.466	9.525	3	95	9663	31622	108	115	138	174	24	143	18	26	17.5	25
80-20T4	80	20	82.2	72.466	9.525	4	125	12375	42162	108	115	161	174	24	143	18	26	17.5	25
100-12T4	100	12	101.8	93.688	7.938	4	105	8306	33001	123	130	109	190	24	158	18	26	17.5	25
100-12T6	100	12	101.8	93.688	7.938	6	175	11772	49502	123	130	137	190	24	158	18	26	17.5	25
100-16T4	100	16	102.2	92.466	9.525	4	107	13569	53161	125	135	136	194	24	163	18	26	17.5	30
100-16T6	100	16	102.2	92.466	9.525	6	140	19230	79741	125	135	173	194	24	163	18	26	17.5	30
100-20T4	100	20	102.2	92.466	9.525	4	155	13569	53161	125	135	161	194	24	163	18	26	17.5	30

Note: 1. Stiffness values listed above value are derived from theoretical formula while axial load is 30% of dynamic load rating without preload.  
2. The smaller value of NTD is the minimum nut diameter available.

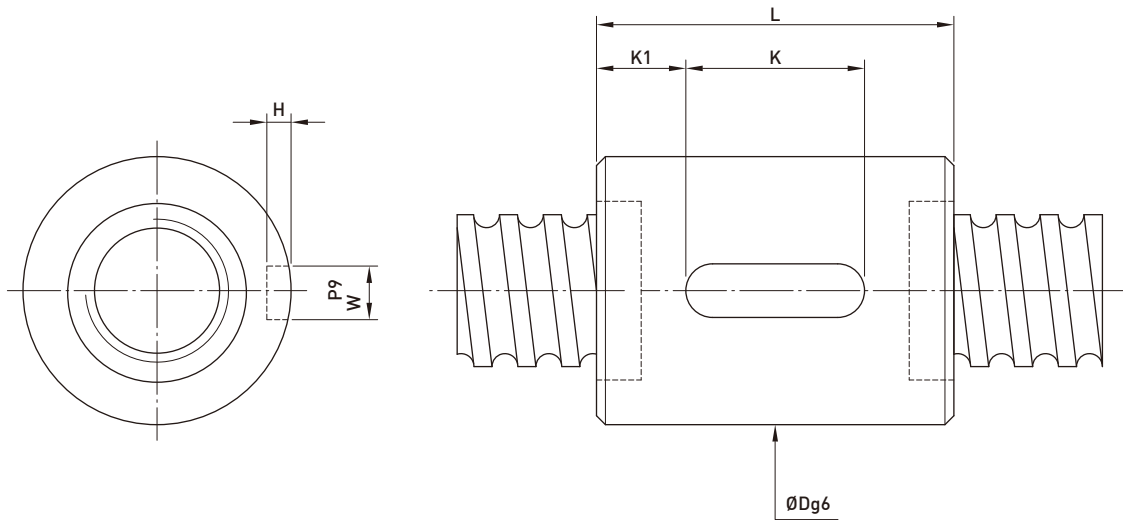
**RSI Type** ◀ Standard Product



Model	Size		P.C.D.	RD	Ball Dia.	Circuits	Stiffness K (kgf/μm)	Dynamic Load C (kgf)	Static Load Co (kgf)	Nut		Keyway				
	Nominal Dia.	Lead								D	L	K	W	H	K1	
16-2T4	16	2	16.2	14.652	1.500	4	15	178	395	25	25	25	20	3	1.8	2.5
16-5T3	16	5	16.6	13.324	3.175	3	11	731	1331	28	30	40	20	3	1.8	10
16-5T4	16	5	16.6	13.324	3.175	4	12	936	1775	28	30	46	20	3	1.8	13
20-5T3	20	5	20.6	17.324	3.175	3	20	852	1767	32	34	41	20	3	1.8	10.5
20-5T4	20	5	20.6	17.324	3.175	4	27	1091	2356	32	34	48	20	3	1.8	14
20-6T3	20	6	20.8	16.744	3.969	3	20	1091	2081	34	36	46	20	4	2.5	13
20-6T4	20	6	20.8	16.744	3.969	4	27	1398	2774	34	36	56	25	4	2.5	15.5
25-5T3	25	5	25.6	22.324	3.175	3	28	977	2314	37	40	41	20	4	2.5	10.5
25-5T4	25	5	25.6	22.324	3.175	4	37	1252	3085	37	40	48	20	4	2.5	14
25-6T3	25	6	25.8	21.744	3.969	3	28	1272	2762	38	42	46	20	4	2.5	13
25-6T4	25	6	25.8	21.744	3.969	4	37	1628	3682	38	42	56	25	4	2.5	15.5
32-5T3	32	5	32.6	29.324	3.175	3	33	1117	3081	44	48	41	20	4	2.5	10.5
32-5T4	32	5	32.6	29.324	3.175	4	42	1431	4108	44	48	48	20	4	2.5	14
32-5T6	32	5	32.6	29.324	3.175	6	63	2027	6162	44	48	61	25	4	2.5	18
32-6T3	32	6	32.8	28.744	3.969	3	33	1446	3620	45	50	46	20	5	3	13
32-6T4	32	6	32.8	28.744	3.969	4	43	1852	4826	45	50	56	25	5	3	15.5
32-6T6	32	6	32.8	28.744	3.969	6	65	2625	7239	45	50	70	32	5	3	19
32-8T3	32	8	33	28.132	4.763	3	35	1810	4227	47	52	59	25	5	3	17
32-8T4	32	8	33	28.132	4.763	4	47	2317	5635	47	52	70	25	5	3	22.5
32-10T3	32	10	33.4	26.91	6.350	3	35	2539	5327	51	56	68	25	6	3.5	21.5
32-10T4	32	10	33.4	26.91	6.350	4	48	3252	7102	51	56	79	32	6	3.5	23.5
40-5T4	40	5	40.6	37.324	3.175	4	50	1599	5280	51	54	48	20	4	2.5	14
40-5T6	40	5	40.6	37.324	3.175	6	74	2265	7919	51	54	61	25	4	2.5	18
40-6T4	40	6	40.8	36.744	3.969	4	50	2136	6420	53	56	56	25	5	3	15.5
40-6T6	40	6	40.8	36.744	3.969	6	74	3028	9630	53	56	70	32	5	3	19
40-8T4	40	8	41	36.132	4.763	4	52	2728	7596	55	60	70	25	5	3	22.5
40-8T6	40	8	41	36.132	4.763	6	76	3866	11394	55	60	91	40	5	3	25.5
40-10T3	40	10	41.4	34.91	6.350	3	40	2959	7069	60	65	68	25	6	3.5	21.5
40-10T4	40	10	41.4	34.91	6.350	4	51	3789	9426	60	65	79	32	6	3.5	23.5
50-5T4	50	5	50.6	47.324	3.175	4	62	1757	6745	62	65	48	20	4	2.5	14
50-5T6	50	5	50.6	47.324	3.175	6	91	2490	10117	62	65	61	25	4	2.5	18
50-6T4	50	6	50.8	46.744	3.969	4	62	2388	8250	64	68	56	25	5	3	15.5
50-6T6	50	6	50.8	46.744	3.969	6	93	3384	12375	64	68	70	32	5	3	19
50-8T4	50	8	51	46.132	4.763	4	62	2998	9578	65	70	70	32	5	3	19
50-8T6	50	8	51	46.132	4.763	6	92	4249	14367	65	70	91	40	5	3	25.5
50-10T3	50	10	51.4	44.91	6.350	3	50	3397	9256	69	74	68	32	6	3.5	18
50-10T4	50	10	51.4	44.91	6.350	4	63	4350	12341	69	74	79	32	6	3.5	23.5

Note: 1. Stiffness values listed above value are derived from theoretical formula while axial load is 30% of dynamic load rating without preload.  
2. The smaller value of NTD is the minimum nut diameter available.

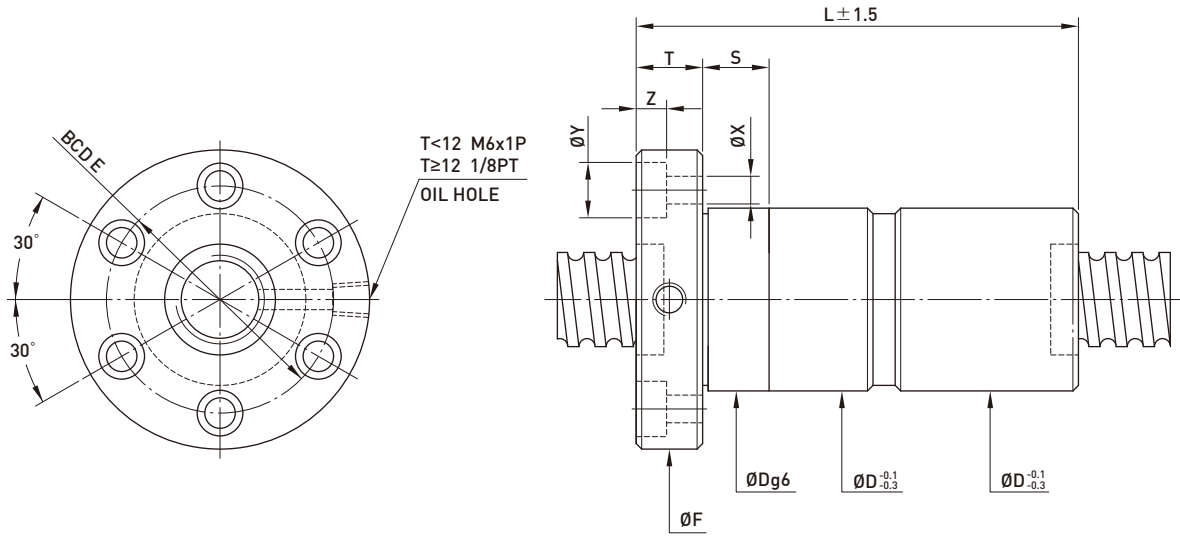
**RSI Type** ◀ Standard Product



Model	Size		P.C.D.	RD	Ball Dia.	Circuits	Stiffness K (kgf/μm)	Dynamic Load C (kgf)	Static Load Co (kgf)	Nut		Keyway				
	Nominal Dia.	Lead								D	L	K	W	H	K1	
50-10T6	50	10	51.4	44.91	6.350	6	94	6165	18511	69	74	102	40	6	3.5	31
50-12T3	50	12	51.8	43.688	7.938	3	50	4420	11047	73	78	82	40	6	3.5	21
50-12T4	50	12	51.8	43.688	7.938	4	63	5660	14730	73	78	95	40	6	3.5	27.5
63-6T4	63	6	63.8	59.744	3.969	4	75	2674	10542	78	80	56	25	6	3.5	15.5
63-6T6	63	6	63.8	59.744	3.969	6	113	3704	15813	78	80	70	32	6	3.5	19
63-8T4	63	8	64	59.132	4.763	4	77	3395	12541	79	82	70	32	6	3.5	19
63-8T6	63	8	64	59.132	4.763	6	114	4812	18811	79	82	91	40	6	3.5	25.5
63-10T4	63	10	64.4	57.91	6.350	4	79	4860	15858	82	88	79	32	8	4	23.5
63-10T6	63	10	64.4	57.91	6.350	6	115	6887	23786	82	88	102	40	8	4	31
63-12T4	63	12	64.8	56.688	7.938	4	78	6479	19293	86	92	95	40	8	4	27.5
63-12T6	63	12	64.8	56.688	7.938	6	113	9182	28939	86	92	123	50	8	4	36.5
80-10T4	80	10	81.4	74.91	6.350	4	96	5559	21118	99	105	79	32	8	4	23.5
80-10T6	80	10	81.4	74.91	6.350	6	140	7879	31677	99	105	102	40	8	4	31
80-12T4	80	12	81.8	73.688	7.938	4	97	7430	25681	103	110	95	40	8	4	27.5
80-12T6	80	12	81.8	73.688	7.938	6	141	10530	38521	103	110	123	50	8	4	36.5
80-16T3	80	16	82.2	72.466	9.525	3	95	9663	31622	108	115	106	40	10	5	33
80-16T4	80	16	82.2	72.466	9.525	4	130	12375	42162	108	115	124	50	10	5	37
80-20T3	80	20	82.2	72.466	9.525	3	95	9663	31622	108	115	126	50	10	5	38
80-20T4	80	20	82.2	72.466	9.525	4	125	12375	42162	108	115	149	63	10	5	43
100-12T4	100	12	101.8	93.688	7.938	4	105	8306	33001	123	130	95	40	8	4	27.5
100-12T6	100	12	101.8	93.688	7.938	6	175	11772	49502	123	130	123	50	8	4	36.5
100-16T4	100	16	102.2	92.466	9.525	4	107	13569	53161	125	135	124	50	10	5	37
100-16T6	100	16	102.2	92.466	9.525	6	140	19230	79741	125	135	161	63	10	5	49
100-20T4	100	20	102.2	92.466	9.525	4	155	13569	53161	125	135	149	63	10	5	43

Note: 1. Stiffness values listed above value are derived from theoretical formula while axial load is 30% of dynamic load rating without preload.  
 2. The smaller value of NTD is the minimum nut diameter available.

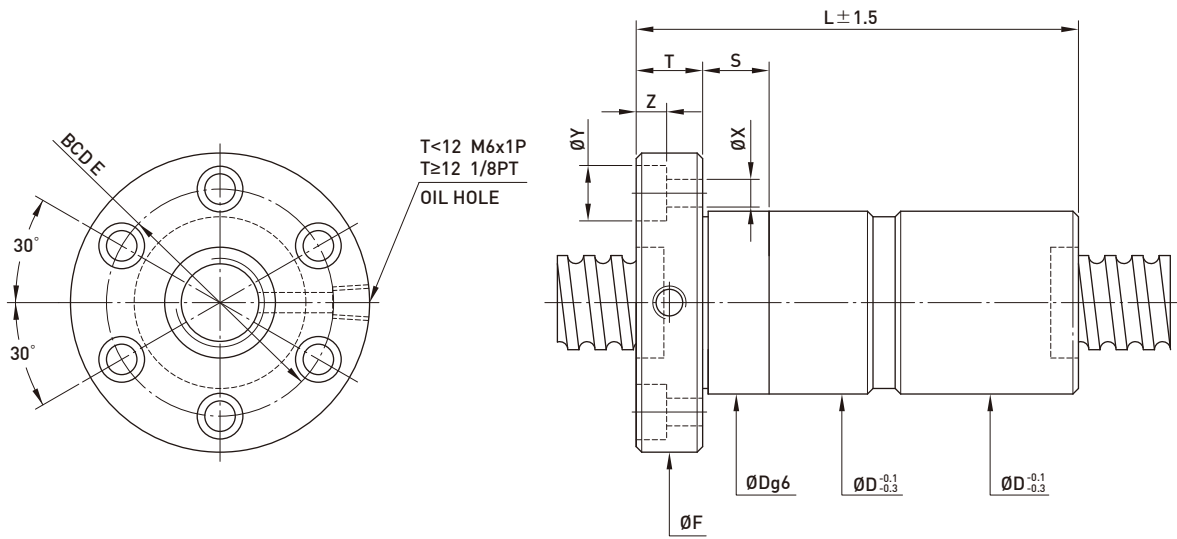
**FDI Type** ◀ Standard Product



Model	Size		P.C.D.	RD	Ball Dia.	Circuits	Stiffness K (kgf/μm)	Dynamic Load C (kgf)	Static Load Co (kgf)	Nut			Flange			Bolt			Fit
	Nominal Dia.	Lead								D	L	F	T	BCD-E	X	Y	Z	S	
16-5T3	16	5	16.6	13.324	3.175	3	20	731	1331	28	30	78	54	12	41	5.5	9.5	5.5	24
16-5T4	16	5	16.6	13.324	3.175	4	23	936	1775	28	30	90	54	12	41	5.5	9.5	5.5	24
20-5T3	20	5	20.6	17.324	3.175	3	39	852	1767	32	34	78	57	12	45	5.5	9.5	5.5	24
20-5T4	20	5	20.6	17.324	3.175	4	54	1091	2356	32	34	92	57	12	45	5.5	9.5	5.5	24
20-6T3	20	6	20.8	16.744	3.969	3	39	1091	2081	34	36	89	60	12	48	5.5	9.5	5.5	24
20-6T4	20	6	20.8	16.744	3.969	4	54	1398	2774	34	36	109	60	12	48	5.5	9.5	5.5	24
25-2.5T5	25	2.5	25.2	23.136	2.000	5	66	716	2117	35	40	87	65	10	51	6.6	11	6.5	24
25-5T3	25	5	25.6	22.324	3.175	3	55	977	2314	37	40	78	64	12	52	5.5	9.5	5.5	24
25-5T4	25	5	20.6	22.324	3.175	4	73	1252	3085	37	40	96	64	12	52	5.5	9.5	5.5	24
25-6T3	25	6	25.8	21.744	3.969	3	56	1272	2762	38	42	89	65	12	53	5.5	9.5	5.5	24
25-6T4	25	6	25.8	21.744	3.969	4	75	1628	3682	38	42	109	65	12	53	5.5	9.5	5.5	24
25-10T3	25	10	26	21.132	4.763	3	49	1643	3265	47	51	140	74	15	60	6.6	11	6.5	24
28-5T5	28	5	28.6	25.324	3.175	5	86	1619	4404	45	50	110	74	12	62	5.5	9.5	5.5	24
28-10T4	28	10	29	24.132	4.763	4	70	2199	4969	45	50	150	74	12	61	6.6	11	6.5	24
32-2.5T6	32	2.5	32.2	30.136	2.000	6	97	928	3339	45	51	106	74	12	62	5.5	9.5	5.5	24
32-5T3	32	5	32.6	29.324	3.175	3	64	1117	3081	44	48	78	74	12	60	6.6	11	6.5	24
32-5T4	32	5	32.6	29.324	3.175	4	82	1431	4108	44	48	96	74	12	60	6.6	11	6.5	24
32-5T6	32	5	32.6	29.324	3.175	6	121	2027	6162	44	48	118	74	12	60	6.6	11	6.5	24
32-5.08T4	32	5.08	32.6	29.324	3.175	4	82	1430	4108	44	48	96	74	12	60	6.6	11	6.5	24
32-6T3	32	6	32.8	28.744	3.969	3	65	1446	3620	45	50	89	76	12	62	6.6	11	6.5	24
32-6T4	32	6	32.8	28.744	3.969	4	84	1852	4826	45	50	109	76	12	62	6.6	11	6.5	24
32-6T6	32	6	32.8	28.744	3.969	6	125	2625	7239	45	50	137	76	12	62	6.6	11	6.5	24
32-8T3	32	8	33	28.132	4.763	3	68	1810	4227	47	52	110	78	16	64	6.6	11	6.5	24
32-8T4	32	8	33	28.132	4.763	4	82	2317	5635	47	52	136	78	16	64	6.6	11	6.5	24
32-10T3	32	10	33.4	26.910	6.350	3	68	2539	5327	51	56	129	82	16	68	6.6	11	6.5	24
32-10T4	32	10	33.4	26.910	6.350	4	82	3252	7102	51	56	155	82	16	68	6.6	11	6.5	24
40-5T4	40	5	40.6	37.324	3.175	4	99	1599	5280	51	54	96	80	16	66	6.6	11	6.5	24
40-5T6	40	5	40.6	37.324	3.175	6	146	2265	7919	51	54	122	80	16	66	6.6	11	6.5	24
40-6T4	40	6	40.8	36.744	3.969	4	100	2136	6420	53	56	113	88	16	72	9	14	8.5	30
40-6T6	40	6	40.8	36.744	3.969	6	148	3028	9630	53	56	141	88	16	72	9	14	8.5	30
40-8T4	40	8	41	36.132	4.763	4	102	2728	7596	55	60	136	92	16	75	9	14	8.5	30
40-8T6	40	8	41	36.132	4.763	6	150	3866	11394	55	60	178	92	16	75	9	14	8.5	30
40-10T3	40	10	41.4	34.91	6.350	3	76	2959	7069	60	65	133	96	16	80	9	14	8.5	30
40-10T4	40	10	41.4	34.91	6.350	4	101	3789	9426	60	65	155	96	16	80	9	14	8.5	30
40-10T5	40	10	41.4	34.91	6.350	5	119	4590	11781	60	65	192	96	16	80	9	14	8.5	30
40-12T3	40	12	41.4	34.91	6.350	3	73	2958	7069	58	60	160	96	18	80	9	14	8.5	30
40-12T4	40	12	41.4	34.91	6.350	4	101	3789	9425	58	60	186	96	18	80	9	14	8.5	30

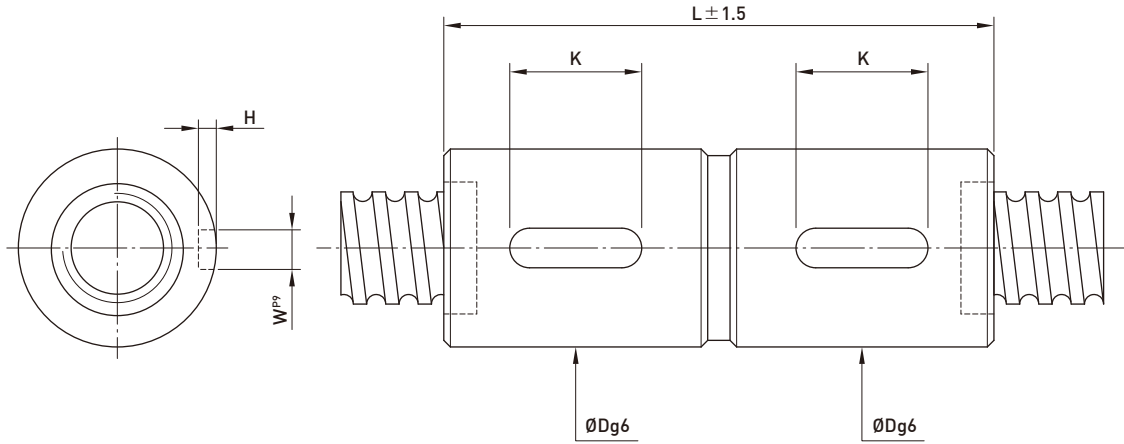
Note: 1. Stiffness values listed above are derived from theoretical formula while preload is 10% of dynamic load rating.  
2. The smaller value of NTD is the minimum nut diameter available.

**FDI Type** ◀ Standard Product



Model	Size		P.C.D.	RD	Ball Dia.	Circuits	Stiffness K (kgf/μm)	Dynamic Load C (kgf)	Static Load Co (kgf)	Nut		Flange			Bolt			Fit	
	Nominal Dia.	Lead								D	L	F	T	BCD-E	X	Y	Z		S
45-10T4	45	10	46.6	39.299	7.144	4	108	4683	11930	68	70	160	110	18	90	11	17.5	11	30
45-12T3	45	12	46.4	39.91	6.350	3	80	3115	7952	68	70	183	110	16	90	11	17.5	11	30
45-16T3	45	16	46.6	39.299	7.144	3	82	3656	8947	68	70	183	110	16	90	11	17.5	11	30
50-5T4	50	5	50.6	47.324	3.175	4	121	1757	6745	62	65	96	16	80	9	14	8.5	30	
50-5T6	50	5	50.6	47.324	3.175	6	177	2490	10117	62	65	122	96	16	80	9	14	8.5	30
50-6T4	50	6	50.8	46.744	3.969	4	123	2388	8250	64	68	113	100	16	84	9	14	8.5	30
50-6T6	50	6	50.8	46.744	3.969	6	179	3384	12375	64	68	147	100	16	84	9	14	8.5	30
50-8T4	50	8	51	46.132	4.763	4	122	2998	9578	65	70	136	102	16	85	9	14	8.5	30
50-8T6	50	8	51	46.132	4.763	6	178	4249	14367	65	70	178	102	16	85	9	14	8.5	30
50-10T3	50	10	51.4	44.91	6.350	3	95	3397	9256	69	74	135	114	18	92	11	17.5	11	40
50-10T4	50	10	51.4	44.91	6.350	4	124	4350	12341	69	74	157	114	18	92	11	17.5	11	40
50-10T6	50	10	51.4	44.91	6.350	6	184	6165	18511	69	74	203	114	18	92	11	17.5	11	40
50-12T3	50	12	51.8	43.688	7.938	3	94	4420	11047	73	78	158	118	18	96	11	17.5	11	40
50-12T4	50	12	51.8	43.688	7.938	4	124	5660	14730	73	78	184	118	18	96	11	17.5	11	40
63-6T4	63	6	63.8	59.744	3.969	4	148	2674	10542	78	80	115	119	18	98	11	17.5	11	40
63-6T6	63	6	63.8	59.744	3.969	6	220	3704	15813	78	80	143	119	18	98	11	17.5	11	40
63-8T4	63	8	64	59.132	4.763	4	152	3395	12541	79	82	138	122	18	100	11	17.5	11	40
63-8T6	63	8	64	59.132	4.763	6	222	4812	18811	79	82	180	122	18	100	11	17.5	11	40
63-10T4	63	10	64.4	57.91	6.350	4	158	4860	15858	82	88	159	134	20	110	14	20	13	40
63-10T6	63	10	64.4	57.91	6.350	6	228	6887	23786	82	88	205	134	20	110	14	20	13	40
63-12T4	63	12	64.8	56.688	7.938	4	152	6479	19293	86	92	186	138	20	114	14	20	13	40
63-12T6	63	12	64.8	56.688	7.938	6	224	9182	28939	86	92	242	138	20	114	14	20	13	40
80-10T4	80	10	81.4	74.91	6.350	4	190	5559	21118	99	105	172	152	20	127	14	20	13	40
80-10T6	80	10	81.4	74.91	6.350	6	277	7879	31677	99	105	214	152	20	127	14	20	13	40
80-12T4	80	12	81.8	73.688	7.938	4	192	7430	25681	103	110	190	170	24	138	18	26	17.5	50
80-12T6	80	12	81.8	73.688	7.938	6	280	10530	38521	103	110	246	170	24	138	18	26	17.5	50
80-16T3	80	16	82.2	72.466	9.525	3	188	9663	31622	108	115	208	174	24	143	18	26	17.5	50
80-16T4	80	16	82.2	72.466	9.525	4	254	12375	42162	108	115	244	174	24	143	18	26	17.5	50
80-20T3	80	20	82.2	72.466	9.525	3	189	9663	31622	108	115	250	174	24	143	18	26	17.5	50
80-20T4	80	20	82.2	72.466	9.525	4	248	12375	42162	108	115	296	174	24	143	18	26	17.5	50
100-12T4	100	12	101.8	93.688	7.938	4	206	8306	33001	123	130	190	190	24	158	18	26	17.5	50
100-12T6	100	12	101.8	93.688	7.938	6	343	11772	49502	123	130	246	190	24	158	18	26	17.5	50
100-16T4	100	16	102.2	92.466	9.525	4	212	13569	53161	135	135	244	194	24	163	18	26	17.5	60
100-16T6	100	16	102.2	92.466	9.525	6	276	19230	79741	135	135	318	194	24	163	18	26	17.5	60
100-20T4	100	20	102.2	92.466	9.525	4	300	13569	53161	135	135	296	194	24	163	18	26	17.5	60

Note: 1. Stiffness values listed above are derived from theoretical formula while preload is 10% of dynamic load rating.  
2. The smaller value of NTD is the minimum nut diameter available.

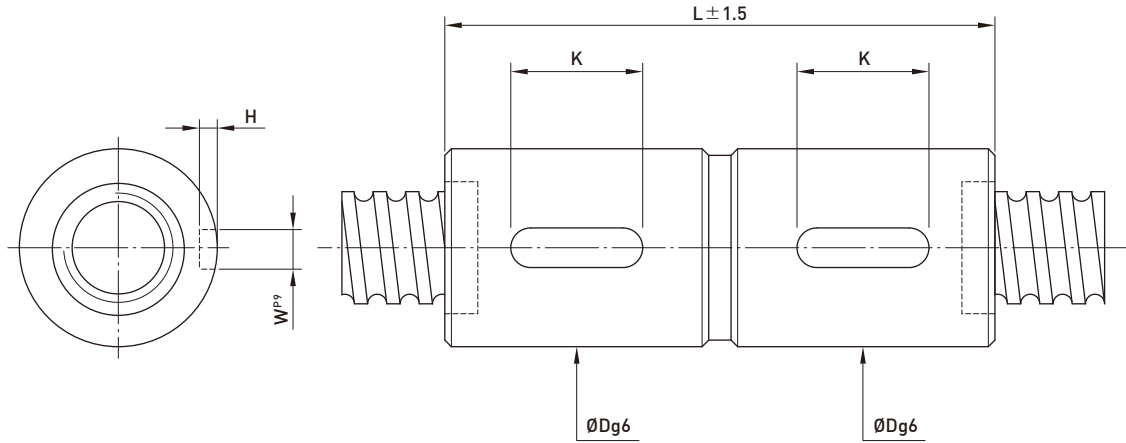
**RDI Type** ◀ Standard Product


Model	Size		P.C.D.	RD	Ball Dia.	Circuits	Stiffness K (kgf/μm)	Dynamic Load C (kgf)	Static Load Co (kgf)	Nut			Keyway		
	Nominal Dia.	Lead								D	L	K	W	H	
16-5T3	16	5	16.6	13.324	3.175	3	20	731	1331	28	30	72	20	3	1.8
16-5T4	16	5	16.6	13.324	3.175	4	23	936	1775	28	30	85	20	3	1.8
20-5T3	20	5	20.6	17.324	3.175	3	39	852	1767	32	34	75	20	3	1.8
20-5T4	20	5	20.6	17.324	3.175	4	54	1091	2356	32	34	85	20	3	1.8
20-6T3	20	6	20.8	16.744	3.969	3	39	1091	2081	34	36	87	20	4	2.5
20-6T4	20	6	20.8	16.744	3.969	4	54	1398	2774	34	36	103	25	4	2.5
25-5T3	25	5	25.6	22.324	3.175	3	55	977	2314	37	40	75	20	4	2.5
25-5T4	25	5	25.6	22.324	3.175	4	73	1252	3085	37	40	85	20	4	2.5
25-6T3	25	6	25.8	21.744	3.969	3	56	1272	2762	38	42	87	20	4	2.5
25-6T4	25	6	25.8	21.744	3.969	4	75	1628	3682	38	42	103	25	4	2.5
32-5T3	32	5	32.6	29.324	3.175	3	64	1117	3081	44	48	75	20	4	2.5
32-5T4	32	5	32.6	29.324	3.175	4	82	1431	4108	44	48	85	20	4	2.5
32-5T6	32	5	32.6	29.324	3.175	6	121	2027	6162	44	48	105	25	4	2.5
32-6T3	32	6	32.8	28.744	3.969	3	65	1446	3620	45	50	87	20	5	3
32-6T4	32	6	32.8	28.744	3.969	4	84	1852	4826	45	50	103	25	5	3
32-6T6	32	6	32.8	28.744	3.969	6	125	2625	7239	45	50	127	32	5	3
32-8T3	32	8	33	28.132	4.763	3	68	1810	4227	47	52	109	25	5	3
32-8T4	32	8	33	28.132	4.763	4	82	2317	5635	47	52	127	25	5	3
32-10T3	32	10	33.4	26.91	6.350	3	68	2539	5327	51	56	135	25	6	3.5
32-10T4	32	10	33.4	26.91	6.350	4	82	3252	7102	51	56	155	32	6	3.5
40-5T4	40	5	40.6	37.324	3.175	4	99	1599	5280	51	54	85	20	4	2.5
40-5T6	40	5	40.6	37.324	3.175	6	146	2265	7919	51	54	105	25	4	2.5
40-6T4	40	6	40.8	36.744	3.969	4	100	2136	6420	53	56	103	25	5	3
40-6T6	40	6	40.8	36.744	3.969	6	148	3028	9630	53	56	127	32	5	3
40-8T4	40	8	41	36.132	4.763	4	102	2728	7596	55	60	127	25	5	3
40-8T6	40	8	41	36.132	4.763	6	150	3866	11394	55	60	161	40	5	3
40-10T3	40	10	41.4	34.91	6.350	3	76	2959	7069	60	65	135	25	6	3.5
40-10T4	40	10	41.4	34.91	6.350	4	101	3789	9426	60	65	155	32	6	3.5

Note: 1. Stiffness values listed above are derived from theoretical formula while preload is 10% of dynamic load rating.

2. The smaller value of NTD is the minimum nut diameter available.

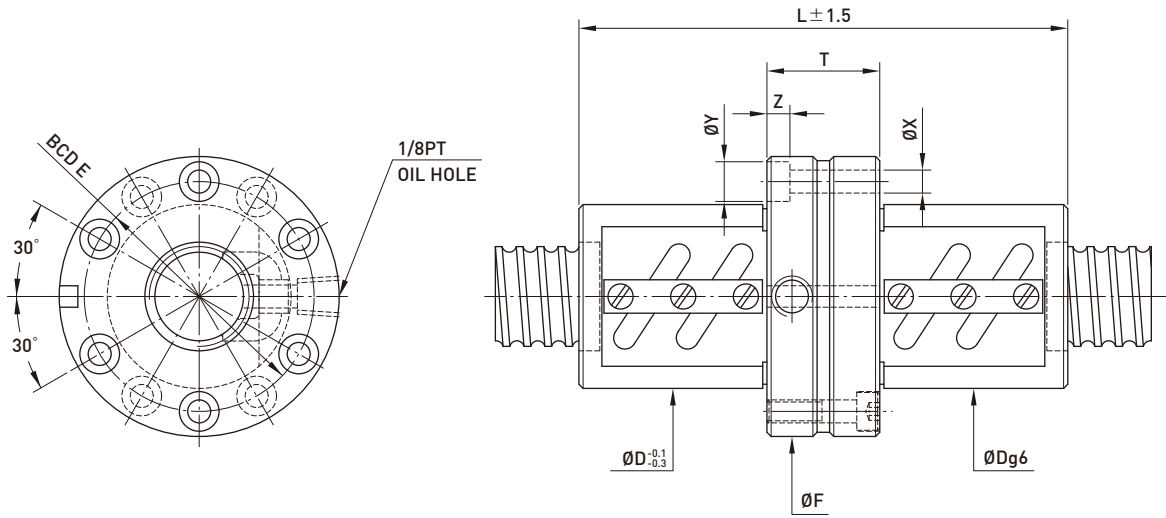
**RDI Type** ◀ Standard Product



Model	Size		P.C.D.	RD	Ball Dia.	Circuits	Stiffness K (kgf/μm)	Dynamic Load C (kgf)	Static Load Co (kgf)	Nut		Keyway			
	Nominal Dia.	Lead								D	L	K	W	H	
50-5T4	50	5	50.6	47.324	3.175	4	121	1757	6745	62	65	85	20	4	2.5
50-5T6	50	5	50.6	47.324	3.175	6	177	2490	10117	62	65	105	25	4	2.5
50-6T4	50	6	50.8	46.744	3.969	4	123	2388	8250	64	68	103	25	5	3
50-6T6	50	6	50.8	46.744	3.969	6	179	3384	12375	64	68	127	32	5	3
50-8T4	50	8	51	46.132	4.763	4	122	2998	9578	65	70	127	32	5	3
50-8T6	50	8	51	46.132	4.763	6	178	4249	14367	65	70	161	40	5	3
50-10T3	50	10	51.4	44.91	6.350	3	95	3397	9256	69	74	135	32	6	3.5
50-10T4	50	10	51.4	44.91	6.350	4	124	4350	12341	69	74	155	32	6	3.5
50-10T6	50	10	51.4	44.91	6.350	6	184	6165	18511	69	74	197	40	6	3.5
50-12T3	50	12	51.8	43.688	7.938	3	94	4420	11047	73	78	161	40	6	3.5
50-12T4	50	12	51.8	43.688	7.938	4	124	5660	14730	73	78	185	40	6	3.5
63-6T4	63	6	63.8	59.744	3.969	4	148	2614	10542	78	80	106	25	6	3.5
63-6T6	63	6	63.8	59.744	3.969	6	220	3704	15813	78	80	130	32	6	3.5
63-8T4	63	8	64	59.132	4.763	4	152	3395	12541	79	82	131	32	6	3.5
63-8T6	63	8	64	59.132	4.763	6	222	4812	18811	79	82	165	40	6	3.5
63-10T4	63	10	64.4	57.91	6.350	4	158	4860	15858	82	88	160	32	8	4
63-10T6	63	10	64.4	57.91	6.350	6	228	6887	23786	82	88	202	40	8	4
63-12T4	63	12	64.8	56.688	7.938	4	152	6479	19293	86	92	185	40	8	4
63-12T6	63	12	64.8	56.688	7.938	6	224	9182	28939	86	92	238	50	8	4
63-20T4	63	20	65.2	55.466	9.525	4	189	10657	31251	90	95	260	50	8	4
80-10T4	80	10	81.4	74.91	6.350	4	190	5559	21118	99	105	160	32	8	4
80-10T6	80	10	81.4	74.91	6.350	6	277	7879	31677	99	105	202	40	8	4
80-12T4	80	12	81.8	73.688	7.938	4	192	7430	25681	103	110	185	40	8	4
80-12T6	80	12	81.8	73.688	7.938	6	280	10530	38521	103	110	238	50	8	4
80-16T3	80	16	82.2	72.466	9.525	3	188	9663	31622	108	115	200	40	10	5
80-16T4	80	16	82.2	72.466	9.525	4	254	12375	42162	108	115	236	50	10	5
80-20T3	80	20	82.2	72.466	9.525	3	189	9663	31622	108	115	245	50	10	5
80-20T4	80	20	82.2	72.466	9.525	4	248	12375	42162	108	115	289	63	10	5
100-12T4	100	12	101.8	93.688	7.938	4	206	8306	33001	123	130	185	40	8	4
100-12T6	100	12	101.8	93.688	7.938	6	343	11772	49502	123	130	238	50	8	4
100-16T4	100	16	102.2	92.466	9.525	4	212	13569	53161	125	135	236	50	10	5
100-16T6	100	16	102.2	92.466	9.525	6	276	19230	79741	125	135	310	63	10	5
100-20T4	100	20	102.2	92.466	9.525	4	300	13569	53161	125	135	289	63	10	5

Note: 1. Stiffness values listed above are derived from theoretical formula while preload is 10% of dynamic load rating.  
2. The smaller value of NTD is the minimum nut diameter available.

**PFDW Type 1** ◀ Standard Product

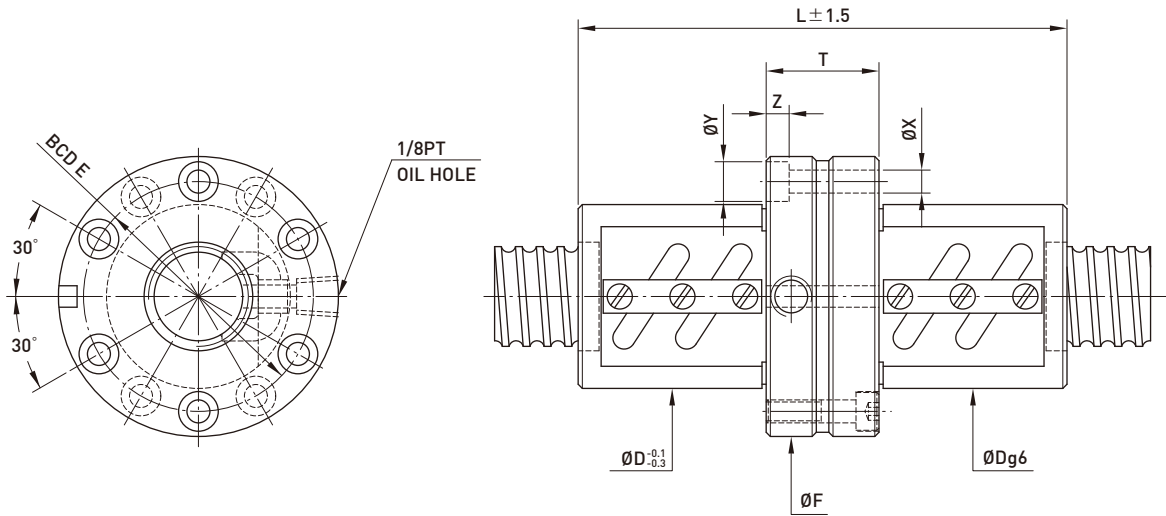


Model	Size		P.C.D.	RD	Ball Dia.	Circuits	Stiffness K (kgf/µm)	Dynamic Load C (kgf)	Static Load Co (kgf)	Nut		Flange			Bolt		
	Nominal Dia.	Lead								D	L	T	F	BCD-E	X	Y	Z
20-5B1	20	5	20.6	17.324	3.175	2.5x1	38	837	1733	44	87	27	67	55	5.5	9.5	5.5
20-5B2	20	5	20.6	17.324	3.175	2.5x2	76	1519	3465	44	117	27	67	55	5.5	9.5	5.5
20-6B1	20	6	20.8	16.744	3.969	2.5x1	40	1139	2187	48	95	29	71	59	5.5	9.5	5.5
20-6C1	20	6	20.8	16.744	3.969	3.5x1	55	1512	3041	48	107	29	71	59	5.5	9.5	5.5
25-5B1	25	5	25.6	22.324	3.175	2.5x1	46	939	2209	50	86	28	73	61	5.5	9.5	5.5
25-5B2	25	5	25.6	22.324	3.175	2.5x2	90	1704	4417	50	116	28	73	61	5.5	9.5	5.5
25-5C1	25	5	25.6	22.324	3.175	3.5x1	68	1252	3085	50	96	28	73	61	5.5	9.5	5.5
25-6B2	25	6	25.8	21.744	3.969	2.5x2	94	2308	5523	56	131	29	82	69	5.5	9.5	5.5
25-6C1	25	6	25.8	21.744	3.969	3.5x1	66	1690	3844	56	107	29	82	69	5.5	9.5	5.5
32-5B1	32	5	32.6	29.324	3.175	2.5x1	55	1039	2833	58	91	33	85	71	6.6	11	6.5
32-5B2	32	5	32.6	29.324	3.175	2.5x2	109	1886	5666	58	121	33	85	71	6.6	11	6.5
32-6B1	32	6	32.8	28.744	3.969	2.5x1	57	1409	3510	62	95	29	89	75	6.6	11	6.5
32-6B2	32	6	32.8	28.744	3.969	2.5x2	112	2556	7020	62	131	29	89	75	6.6	11	6.5
32-8B1	32	8	33	28.132	4.763	2.5x1	58	1810	4227	66	125	39	100	82	9	14	8.5
32-8B2	32	8	33	28.132	4.763	2.5x2	115	3284	8453	66	173	39	100	82	9	14	8.5
32-10B1	32	10	33.4	26.91	6.350	2.5x1	58	2651	5600	74	185	38	108	90	9	14	8.5
32-10B2	32	10	33.4	26.91	6.350	2.5x2	118	4810	11199	74	208	38	108	90	9	14	8.5
32-10C1	32	10	33.4	26.91	6.350	3.5x1	86	3519	7785	74	168	38	108	90	9	14	8.5
40-5B1	40	5	40.6	37.324	3.175	2.5x1	65	1141	3567	68	96	38	101	83	9	14	8.5
40-5B2	40	5	40.6	37.324	3.175	2.5x2	132	2071	7134	68	126	38	101	83	9	14	8.5
40-6B1	40	6	40.8	36.744	3.969	2.5x1	67	1552	4428	70	101	35	104	86	9	14	8.5
40-6B2	40	6	40.8	36.744	3.969	2.5x2	136	2817	8855	70	137	35	104	86	9	14	8.5
40-8B1	40	8	41	36.132	4.763	2.5x1	69	2003	5302	74	125	39	108	90	9	14	8.5
40-8B2	40	8	41	36.132	4.763	2.5x2	137	3634	10603	74	173	39	108	90	9	14	8.5
40-10B1	40	10	41.4	34.91	6.350	2.5x1	72	2959	7069	84	158	48	124	102	11	17.5	11
40-10B2	40	10	41.4	34.91	6.350	2.5x2	145	5370	14138	84	218	48	124	102	11	17.5	11
40-10C1	40	10	41.4	34.91	6.350	3.5x1	102	3932	9841	84	178	48	124	102	11	17.5	11
40-12B1	40	12	41.6	34.299	7.144	2.5x1	70	3425	7837	86	174	48	128	106	11	17.5	11
40-12B2	40	12	41.6	34.299	7.144	2.5x2	141	6217	15674	86	246	48	128	106	11	17.5	11

Note: Stiffness values listed above are derived from theoretical formula while preload is 10% of dynamic load rating.



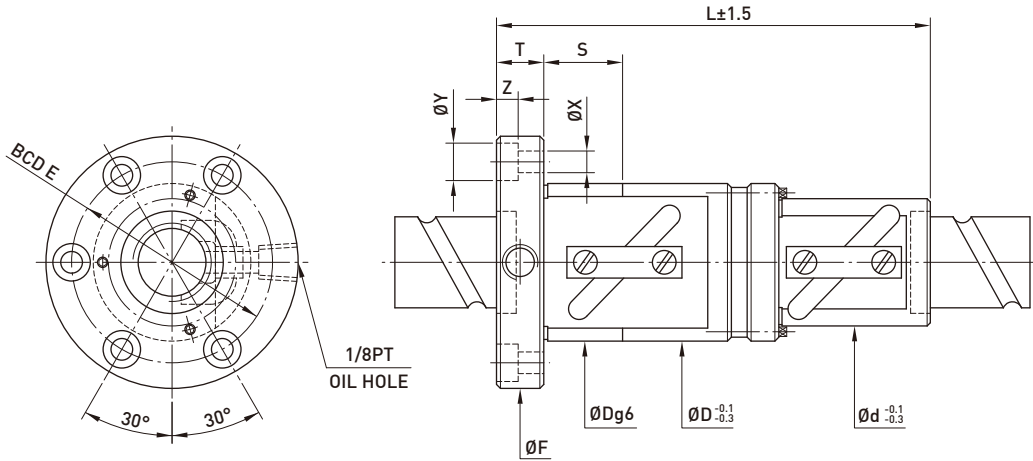
**PFDW Type 1** ◀ Standard Product



Model	Size		P.C.D.	RD	Ball Dia.	Circuits	Stiffness K (kgf/μm)	Dynamic Load C (kgf)	Static Load Co (kgf)	Nut		Flange			Bolt		
	Nominal Dia.	Lead								D	L	T	F	BCD-E	X	Y	Z
50-8B1	50	8	51	46.132	4.763	2.5x1	81	2206	6705	87	133	47	129	107	11	17.5	11
50-8B2	50	8	51	46.132	4.763	2.5x2	165	4004	13409	87	181	47	129	107	11	17.5	11
50-10B1	50	10	51.4	44.91	6.350	2.5x1	87	3264	8835	94	158	48	135	113	11	17.5	11
50-10B2	50	10	51.4	44.91	6.350	2.5x2	173	5923	17670	94	218	48	135	113	11	17.5	11
50-12B2	50	12	51.8	43.688	7.938	2.5x2	178	8022	22094	102	260	58	146	122	14	20	13
50-12C1	50	12	51.8	43.688	7.938	3.5x1	123	5875	15380	102	200	58	146	122	14	20	13
63-10B2	63	10	64.4	57.91	6.350	2.5x2	206	6533	22371	110	228	58	154	130	14	20	13
63-10B3	63	10	64.4	57.91	6.350	2.5x3	305	9258	33556	110	288	58	154	130	14	20	13
63-12B2	63	12	64.8	56.688	7.938	2.5x2	214	8943	28062	118	260	58	166	141	14	20	13
80-12B2	80	12	81.8	73.688	7.938	2.5x2	257	9797	35422	136	260	58	185	159	14	20	13
80-12B3	80	12	81.8	73.688	7.938	2.5x3	380	13884	53132	136	340	58	185	159	14	20	13
80-20B2	80	20	82.2	72.466	9.525	2.5x2	338	16485	58851	145	404	66	204	172	18	26	17.5
100-20B2	100	20	102.2	92.466	9.525	2.5x2	400	18123	74425	170	404	86	243	205	22	32	21.5

Note: Stiffness values listed above are derived from theoretical formula while preload is 10% of dynamic load rating.

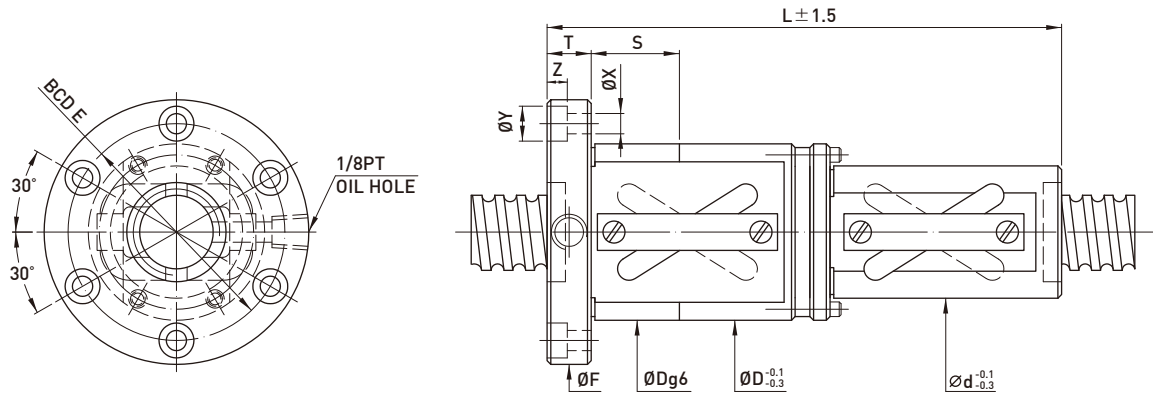
**PFDW Type 2** ◀ Standard Product



Model	Size		P.C.D.	RD	Ball Dia.	Circuits	Stiffness K (kgf/μm)	Dynamic Load C (kgf)	Static Load Co (kgf)	Nut			Flange			Bolt				Fit
	Nominal Dia.	Lead								D	d	L	F	T	BCD-E	X	Y	Z	S	
20-20A1	20	20	20.8	16.744	3.969	1.5x1	26	719	1281	48	36	140	72	12	59	5.5	9.5	5.5	24	
25-16B1	25	16	26	21.132	4.763	2.5x1	56	1592	3237	62	45	148	89	16	75	6.6	11	6.5	24	
25-20B1	25	20	26	21.132	4.763	2.5x1	56	1592	3237	62	45	178	89	16	75	6.6	11	6.5	24	
25-25A1	25	25	26	21.132	4.763	1.5x1	32	1019	1927	62	45	166	89	16	75	6.6	11	6.5	24	
32-20B1	32	20	33	28.132	4.763	2.5x1	66	1810	4227	68	54	181	102	16	84	9	14	8.5	30	
32-25B1	32	25	33	28.132	4.763	2.5x1	66	1810	4227	68	54	218	102	16	84	9	14	8.5	30	
32-32A1	32	32	33	28.132	4.763	1.5x1	36	1154	2505	68	54	205	102	16	84	9	14	8.5	30	
40-25B1	40	25	41.4	34.91	6.350	2.5x1	78	2959	7069	84	65	224	126	18	104	11	17.5	11	30	
40-32B1	40	32	41.4	34.91	6.350	2.5x1	78	2959	7069	84	65	276	126	18	104	11	17.5	11	30	
40-40A1	40	40	41.4	34.91	6.350	1.5x1	48	1875	4159	84	65	274	126	18	104	11	17.5	11	30	
50-40A1	50	40	51.8	43.688	7.938	1.5x1	54	2801	6499	106	82	264	152	22	128	13	20	13	40	
50-50A1	50	50	51.8	43.688	7.938	1.5x1	60	2801	6499	106	82	320	152	22	128	13	20	13	40	

Note: Stiffness values listed above are derived from theoretical formula while preload is 10% of dynamic load rating.

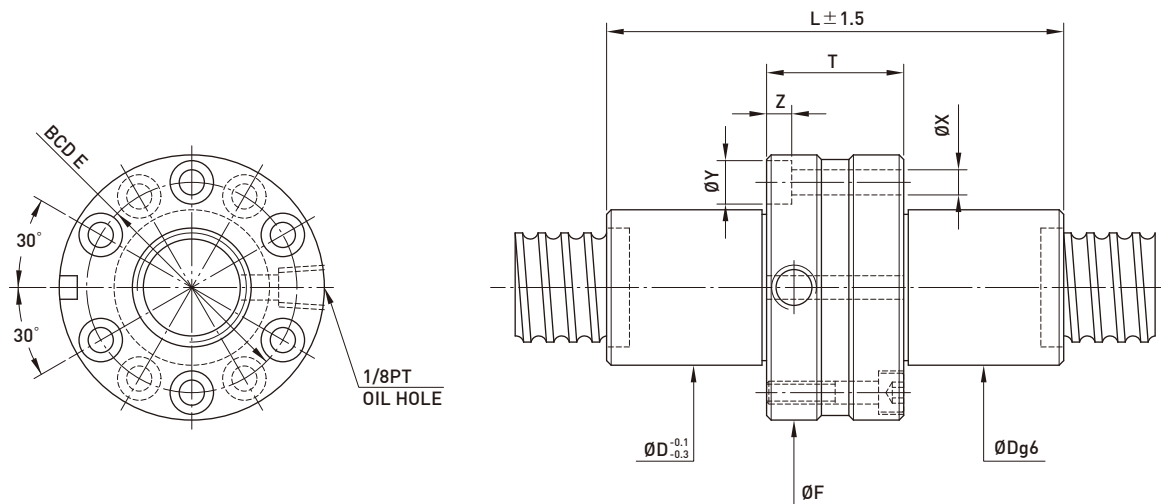
## PFDW Type 2 ◀ Standard Product



Model	Size		P.C.D.	RD	Ball Dia.	Circuits	Stiffness K (kgf/μm)	Dynamic Load C (kgf)	Static Load Co (kgf)	Start type	D	d	L	F	T	BCD-E	X	Y	Z	S
	Nominal Dia.	Lead																		
36-20B2	36	20	37.4	30.91	6.35	2.5x2	87.6	4569	11820	2	94	76	191	136	18	114	11	17.5	11	30
40-25B2	40	25	41.6	34.299	7.144	2.5x2	96.6	5565	14624	2	98	80	230	140	18	118	11	17.5	11	30
40-30B2	40	30	41.6	34.299	7.144	2.5x2	96	5565	14624	2	98	80	250	140	18	118	11	17.5	11	30
45-25B2	45	25	46.6	39.299	7.144	2.5x2	106.5	5939	16696	2	101	83	230	143	18	121	11	17.5	11	30
45-30B2	45	30	46.6	39.299	7.144	2.5x2	105.9	5939	16696	2	101	83	250	143	18	121	11	17.5	11	30
50-25B2	50	25	51.6	44.299	7.144	2.5x2	115.2	6190	18441	2	103	85	230	145	18	123	11	17.5	11	40
50-30B2	50	30	51.6	44.299	7.144	2.5x2	118.2	6190	18441	2	103	85	250	145	18	123	11	17.5	11	40
55-25B2	55	25	56.6	49.299	7.144	2.5x2	127.5	6519	20515	2	105	87	230	147	18	125	11	17.5	11	40
55-30B2	55	30	56.6	49.299	7.144	2.5x2	127.2	6519	20515	2	105	87	250	147	18	125	11	17.5	11	40

Note: Stiffness values listed above are derived from theoretical formula while preload is 10% of dynamic load rating.

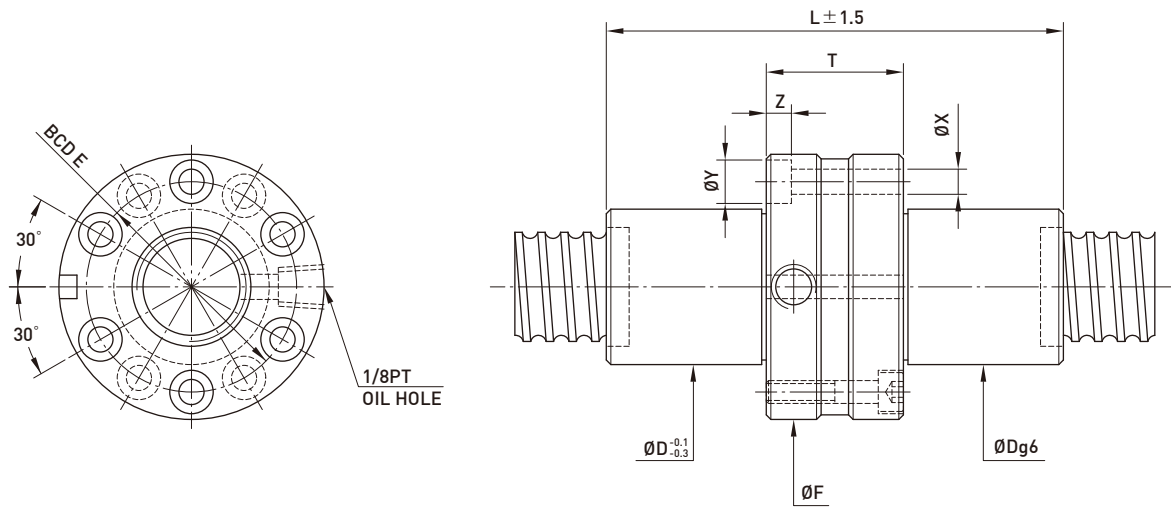
**PFDI Type** ◀ Standard Product



Model	Size		P.C.D.	RD	Ball Dia.	Circuits	Stiffness K (kgf/μm)	Dynamic Load C (kgf)	Static Load Co (kgf)	Nut		Flange			Bolt		
	Nominal Dia.	Lead								D	L	F	T	BCD-E	X	Y	Z
20-5T3	20	5	20.6	17.324	3.175	3	39	852	1767	34	100	58	30	46	5.5	9.5	5.5
20-5T4	20	5	20.6	17.324	3.175	4	54	1091	2356	34	110	58	30	46	5.5	9.5	5.5
20-6T3	20	6	20.8	16.744	3.969	3	39	1091	2081	36	111	58	29	46	5.5	9.5	5.5
20-6T4	20	6	20.8	16.744	3.969	4	54	1398	2774	36	127	58	29	46	5.5	9.5	5.5
25-5T3	25	5	25.6	22.324	3.175	3	55	977	2314	40	100	63	30	51	5.5	9.5	5.5
25-5T4	25	5	25.6	22.324	3.175	4	73	1252	3085	40	110	63	30	51	5.5	9.5	5.5
25-6T3	25	6	25.8	21.744	3.969	3	56	1272	2762	40	111	63	29	51	5.5	9.5	5.5
25-6T4	25	6	25.8	21.744	3.969	4	75	1628	3682	40	127	63	29	51	5.5	9.5	5.5
32-5T3	32	5	32.6	29.324	3.175	3	64	1117	3081	48	100	75	30	61	6.6	11	6.5
32-5T4	32	5	32.6	29.324	3.175	4	82	1431	4108	48	110	75	30	61	6.6	11	6.5
32-6T3	32	6	32.8	28.744	3.969	3	65	1446	3620	50	111	75	29	61	6.6	11	6.5
32-6T4	32	6	32.8	28.744	3.969	4	84	1852	4826	50	127	75	29	61	6.6	11	6.5
32-8T3	32	8	33	28.132	4.763	3	68	1810	4227	52	139	84	35	68	9	14	8.5
32-8T4	32	8	33	28.132	4.763	4	82	2317	5635	52	157	84	35	68	9	14	8.5
32-10T3	32	10	33.4	26.91	6.350	3	68	2539	5327	56	165	88	35	70	9	14	8.5
32-10T4	32	10	33.4	26.91	6.350	4	82	3252	7102	56	185	88	35	70	9	14	8.5
40-5T4	40	5	40.6	37.324	3.175	4	99	1599	5280	54	115	90	35	72	9	14	8.5
40-5T6	40	5	40.6	37.324	3.175	6	146	2265	7919	54	135	90	35	72	9	14	8.5
40-6T4	40	6	40.8	36.744	3.969	4	100	2136	6420	56	133	90	35	72	9	14	8.5
40-6T6	40	6	40.8	36.744	3.969	6	148	3028	9630	56	157	90	35	72	9	14	8.5
40-8T4	40	8	41	36.132	4.763	4	102	2728	7596	60	157	94	35	76	9	14	8.5
40-8T6	40	8	41	36.132	4.763	6	150	3866	11394	60	191	94	35	76	9	14	8.5
40-10T3	40	10	41.4	34.91	6.350	3	76	2529	7069	62	175	104	45	82	11	17.5	11
40-10T4	40	10	41.4	34.91	6.350	4	101	3789	9426	62	195	104	45	82	11	17.5	11
50-5T4	50	5	50.6	47.324	3.175	4	121	1757	6745	65	115	100	35	82	9	14	8.5
50-5T6	50	5	50.6	47.324	3.175	6	177	2490	10117	65	135	100	35	82	9	14	8.5
50-6T4	50	6	50.8	46.744	3.969	4	123	2388	8250	68	136	100	38	82	9	14	8.5
50-6T6	50	6	50.8	46.744	3.969	6	179	3384	12375	68	160	100	38	82	9	14	8.5
50-8T4	50	8	51	46.132	4.763	4	122	2998	9578	70	165	112	43	90	11	17.5	11
50-8T6	50	8	51	46.132	4.763	6	178	4249	14367	70	199	112	43	90	11	17.5	11
50-10T3	50	10	51.4	44.91	6.350	3	95	3397	9256	74	175	114	45	92	11	17.5	11
50-10T4	50	10	51.4	44.91	6.350	4	124	4350	12341	74	195	114	45	92	11	17.5	11
50-10T6	50	10	51.4	44.91	6.350	6	184	6165	18511	74	235	114	43	92	11	17.5	11
50-12T3	50	12	51.8	43.688	7.938	3	94	4420	11047	75	203	121	49	97	14	20	13
50-12T4	50	12	51.8	43.688	7.938	4	124	5660	14730	75	227	121	49	97	14	20	13

Note: Stiffness values listed above are derived from theoretical formula while preload is 10% of dynamic load rating.

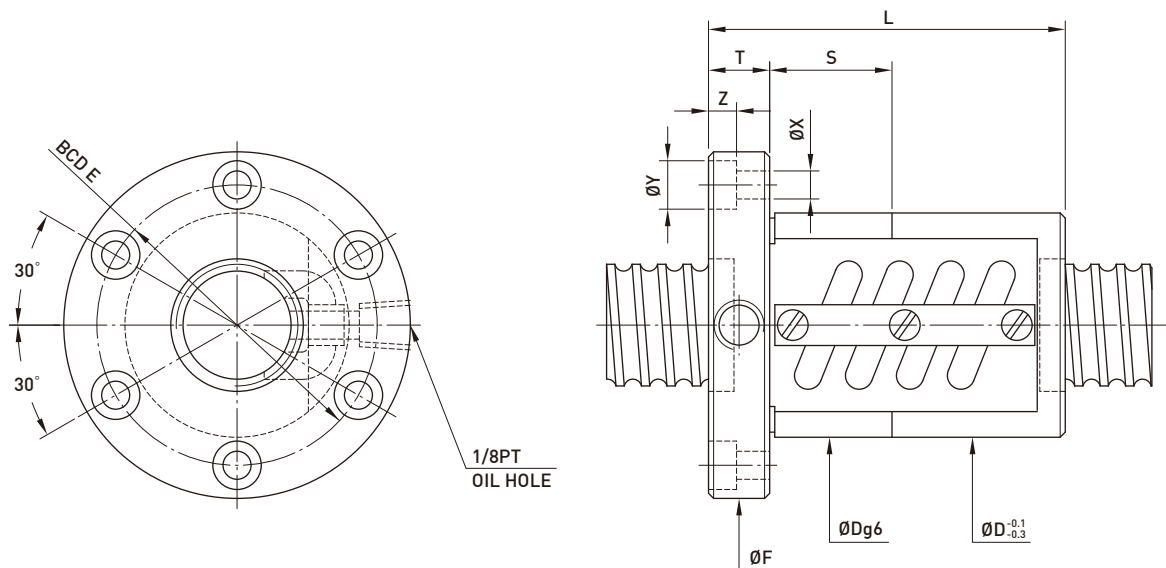
**PFDI Type** ◀ Standard Product



Model	Size		P.C.D.	RD	Ball Dia.	Circuits	Stiffness K (kgf/μm)	Dynamic Load C (kgf)	Static Load Co (kgf)	Nut		Flange			Bolt		
	Nominal Dia.	Lead								D	L	F	T	BCD-E	X	Y	Z
63-6T4	63	6	63.8	59.744	3.969	4	148	2614	10542	80	142	122	44	100	11	17.5	11
63-6T6	63	6	63.8	59.744	3.969	6	220	3704	15813	80	166	122	44	100	11	17.5	11
63-8T4	63	8	64	59.132	4.763	4	152	3395	12541	82	165	124	43	102	11	17.5	11
63-8T6	63	8	64	59.132	4.763	6	222	4812	18811	82	199	124	43	102	11	17.5	11
63-10T4	63	10	64.4	57.91	6.350	4	158	4860	15858	85	205	131	55	107	14	20	13
63-10T6	63	10	64.4	57.91	6.350	6	228	6887	23786	85	245	131	53	107	14	20	13
63-12T4	63	12	64.8	56.688	7.938	4	152	6479	19293	90	230	136	52	112	14	20	13
63-12T6	63	12	64.8	56.688	7.938	6	224	9182	28939	90	280	136	52	112	14	20	13
80-10T4	80	10	81.4	74.91	6.350	4	190	5559	21118	105	205	151	55	127	14	20	13
80-10T6	80	10	81.4	74.91	6.350	6	277	7879	31677	105	245	151	53	127	14	20	13
80-12T4	80	12	81.8	73.688	7.938	4	192	7430	25681	110	230	156	52	132	14	20	13
80-12T6	80	12	81.8	73.688	7.938	6	280	10530	38521	110	280	156	52	132	14	20	13
80-20T3	80	20	82.2	72.466	9.525	3	189	9663	31622	115	301	173	65	143	18	26	17.5
80-20T4	80	20	82.2	72.466	9.525	4	248	12375	42162	115	346	173	66	143	18	26	17.5
100-10T6	100	10	101.4	94.91	6.350	6	236	8662	40469	125	245	171	53	147	14	20	13
100-12T6	100	12	102.2	92.466	9.525	6	343	19230	79741	130	292	188	64	158	18	26	17.5
100-20T4	100	20	102.2	92.466	9.525	4	300	13569	53161	135	356	205	76	169	22	32	21.5

Note: Stiffness values listed above are derived from theoretical formula while preload is 10% of dynamic load rating.

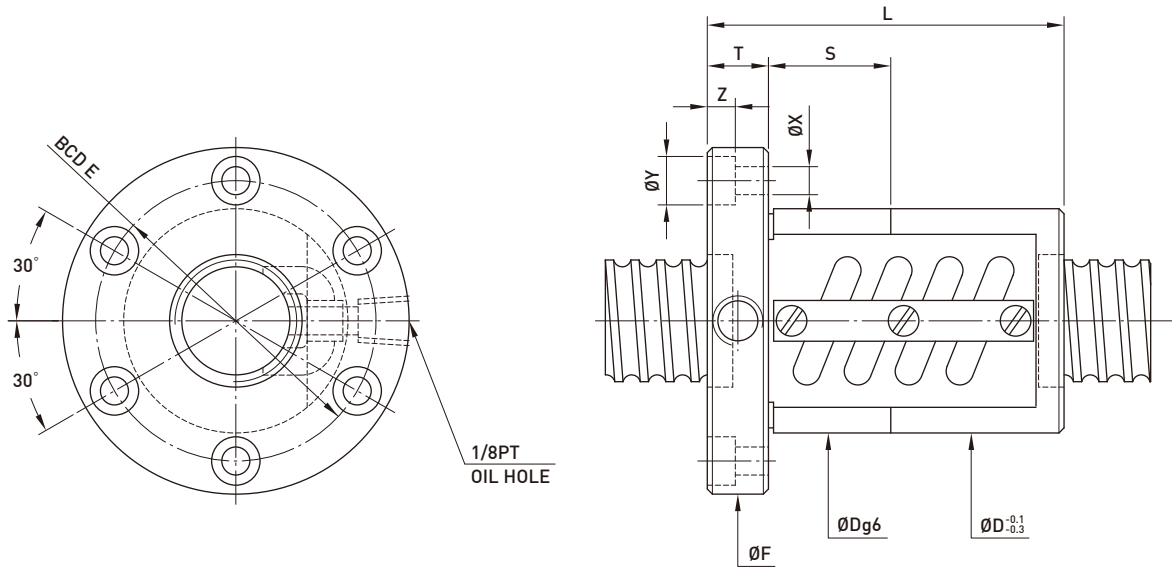
**OFSW Type** ◀ Standard Product



Model	Size		P.C.D.	RD	Ball Dia.	Circuits	Stiffness K (kgf/μm)	Dynamic Load C (kgf)	Static Load Co (kgf)	Nut		Flange			Bolt			Fit
	Nominal Dia.	Lead								D	L	F	T	BCD-E	X	Y	Z	
16-5B1	16	5	16.6	13.324	3.175	2.5x1	32	763	1400	40	58	64	12	51	5.5	9.5	5.5	24
16-5A1	16	5	16.6	13.324	3.175	1.5x1	20	482	820	40	50	64	12	51	5.5	9.5	5.5	24
20-5B1	20	5	20.6	17.324	3.175	2.5x1	38	837	1733	44	60	68	12	55	5.5	9.5	5.5	24
20-5A2	20	5	20.6	17.324	3.175	1.5x2	46	979	2079	44	70	68	12	55	5.5	9.5	5.5	24
20-6B1	20	6	20.8	16.744	3.969	2.5x1	40	1139	2187	48	69	72	12	59	5.5	9.5	5.5	24
25-4B1	25	4	25.25	22.792	2.381	2.5x1	38	544	1376	46	48	69	12	57	5.5	9.5	5.5	12
25-4B2	25	4	25.25	22.792	2.381	2.5x2	74	988	2752	46	72	69	12	57	5.5	9.5	5.5	12
25-5B1	25	5	25.6	22.324	3.175	2.5x1	46	939	2209	50	60	74	12	62	5.5	9.5	5.5	24
25-5A2	25	5	25.6	22.324	3.175	1.5x2	48	1078	2594	50	70	74	12	62	5.5	9.5	5.5	24
25-5C1	25	5	25.6	22.324	3.175	3.5x1	68	1252	3085	50	72	74	12	62	5.5	9.5	5.5	24
25-6A2	25	6	25.8	21.744	3.969	1.5x2	56	1462	3249	56	82	82	12	69	6.6	11	6.5	24
25-6C1	25	6	25.8	21.744	3.969	3.5x1	66	1690	3844	56	81	82	12	69	6.6	11	6.5	24
25-10A1	25	10	26	21.132	4.763	1.5x1	29	1019	1927	60	81	86	16	73	6.6	11	6.5	24
28-5B1	28	5	28.6	25.324	3.175	2.5x1	51	984	2466	55	60	85	12	69	6.6	11	6.5	24
28-5B2	28	5	28.6	25.324	3.175	2.5x2	98	1785	4932	55	96	85	12	69	6.6	11	6.5	24
28-6A2	28	6	28.6	25.324	3.175	1.5x2	59	1150	2960	55	80	85	12	69	6.6	11	6.5	24
32-5B1	32	5	32.6	29.324	3.175	2.5x1	55	1039	2833	58	62	84	12	71	6.6	11	6.5	24
32-5A2	32	5	32.6	29.324	3.175	1.5x2	65	1216	3400	58	70	84	12	71	6.6	11	6.5	24
32-5C1	32	5	32.6	29.324	3.175	3.5x1	76	1388	3967	58	72	84	12	71	6.6	11	6.5	24
32-6B1	32	6	32.8	28.744	3.969	2.5x1	57	1409	3510	62	70	88	12	75	6.6	11	6.5	24
32-6A2	32	6	32.8	28.744	3.969	1.5x2	67	1633	4168	62	81	88	12	75	6.6	11	6.5	24
32-6C1	32	6	32.8	28.744	3.969	3.5x1	78	1888	4936	62	83	88	12	75	6.6	11	6.5	24
32-8B1	32	8	33	28.132	4.763	2.5x1	58	1810	4227	66	92	100	16	82	9	14	8.5	30
32-8A2	32	8	33	28.132	4.763	1.5x2	69	2094	5009	66	106	100	16	82	9	14	8.5	30
32-8C1	32	8	33	28.132	4.763	3.5x1	82	2428	5948	66	108	100	16	82	9	14	8.5	30
32-10B1	32	10	33.4	26.91	6.350	2.5x1	58	2651	5600	74	110	108	16	90	9	14	8.5	30
32-10A1	32	10	33.4	26.91	6.350	1.5x1	36	1673	3278	74	90	108	16	90	9	14	8.5	30
32-12A1	32	12	33.4	26.91	6.350	1.5x1	37	1672	3278	74	97	108	18	90	9	14	8.5	15
32-12B1	32	12	33.4	26.91	6.350	2.5x1	61	2650	5599	74	117	108	18	90	9	14	8.5	15

Note: Stiffness values listed above are derived from theoretical formula while preload is 10% of dynamic load rating.

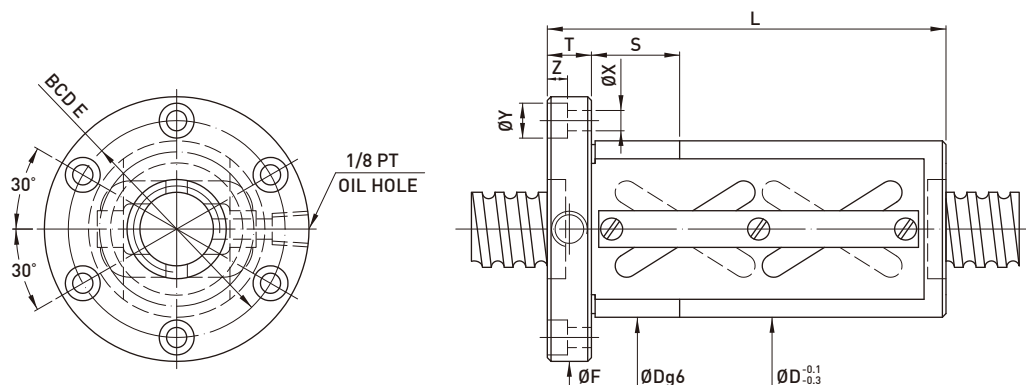
**OFSW Type** ◀ Standard Product



Model	Size		P.C.D.	RD	Ball Dia.	Circuits	Stiffness K (kgf/μm)	Dynamic Load C (kgf)	Static Load Co (kgf)	Nut		Flange			Bolt			Fit
	Nominal Dia.	Lead								D	L	F	T	BCD-E	X	Y	Z	
36-6B1	36	6	36.6	33.324	3.175	2.5x1	62	1486	3969	65	68	100	12	82	6.6	11	6.5	24
36-6B2	36	6	36.6	33.324	3.175	2.5x2	121	2696	7937	65	103	100	12	82	6.6	11	6.5	24
36-10A1	36	10	37.4	30.91	6.350	1.5x1	40	1779	3718	75	90	120	18	98	11	17.5	11	30
36-16B1	36	16	37.4	30.91	6.350	2.5x1	67	2812	6334	74	136	114	18	90	9	14	8.5	15
40-5B1	40	5	40.6	37.324	3.175	2.5x1	65	1141	3567	68	65	102	16	84	9	14	8.5	30
40-5B2	40	5	40.6	37.324	3.175	2.5x2	132	2071	7134	68	95	102	16	84	9	14	8.5	30
40-6B2	40	6	40.8	36.744	3.969	2.5x2	136	2817	8855	70	109	104	16	86	9	14	8.5	30
40-8B1	40	8	41	36.132	4.763	2.5x1	69	2003	5302	74	90	108	16	90	9	14	8.5	30
40-8C1	40	8	41	36.132	4.763	3.5x1	96	2679	7438	74	108	108	16	90	9	14	8.5	30
40-10B1	40	10	41.4	34.91	6.350	2.5x1	72	2959	7069	84	110	125	18	104	11	17.5	11	30
40-10C1	40	10	41.4	34.91	6.350	3.5x1	102	3932	9841	84	132	125	18	104	11	17.5	11	30
40-12B1	40	12	41.6	34.299	7.144	2.5x1	72	3425	7837	86	117	128	18	106	11	17.5	11	40
40-16A1	40	16	41.6	34.299	7.144	1.5x1	46	2208	4703	86	117	128	18	106	11	17.5	11	40
45-10B1	45	10	46.4	39.91	6.350	2.5x1	76	3111	7953	88	110	132	18	110	11	17.5	11	30
45-12B1	45	12	46.8	38.688	7.938	2.5x1	81	4202	9900	96	132	142	22	117	13	20	13	40
50-5A2	50	5	50.6	47.324	3.175	1.5x2	96	1447	5382	80	74	114	16	96	9	14	8.5	30
50-5A3	50	5	50.6	47.324	3.175	1.5x3	143	2051	8072	80	103	114	16	96	9	14	8.5	30
50-6B2	50	6	50.8	46.744	3.969	2.5x2	161	3093	11149	84	110	118	16	100	9	14	8.5	30
50-8B1	50	8	51	46.132	4.763	2.5x1	81	2206	6705	87	92	128	18	107	11	17.5	11	30
50-8B2	50	8	51	46.132	4.763	2.5x2	165	4004	13409	87	140	128	18	107	11	17.5	11	30
50-10B2	50	10	51.4	44.91	6.350	2.5x2	173	5923	17670	94	170	135	18	114	11	17.5	11	30
50-10C1	50	10	51.4	44.91	6.350	3.5x1	120	4393	12481	94	130	135	18	114	11	17.5	11	30
50-12B1	50	12	51.8	43.688	7.938	2.5x1	123	4420	11047	102	132	150	22	125	13	20	13	40
55-10C1	55	10	56.4	49.91	6.350	3.5x1	132	4562	13661	100	130	140	18	118	11	17.5	11	40
55-12B1	55	12	56.8	48.688	7.938	2.5x1	128	4624	12195	105	132	154	22	127	13	20	13	40
63-8A2	63	8	64	59.132	4.763	1.5x2	107	2826	10129	104	108	146	18	124	11	17.5	11	40
63-10B2	63	10	64.4	57.91	6.350	2.5x2	206	6533	22371	110	172	152	20	130	11	17.5	11	40
63-12B1	63	12	64.8	56.688	7.938	2.5x1	107	4927	14031	118	135	166	22	141	13	20	13	40
63-16B1	63	16	65.2	55.466	9.525	2.5x1	140	8189	23005	124	158	172	22	147	13	20	13	40
63-20A1	63	20	65.2	55.466	9.525	1.5x1	84	5306	13890	124	147	172	22	147	13	20	13	40
70-10B1	70	10	71.4	64.91	6.350	2.5x1	114	3770	12506	124	112	170	20	145	13	20	13	40
70-12B1	70	12	71.8	63.688	7.938	2.5x1	118	5169	15638	130	132	178	22	152	13	20	13	40

Note: Stiffness values listed above are derived from theoretical formula while preload is 10% of dynamic load rating.

**OFSW Type** ◀ Standard Product

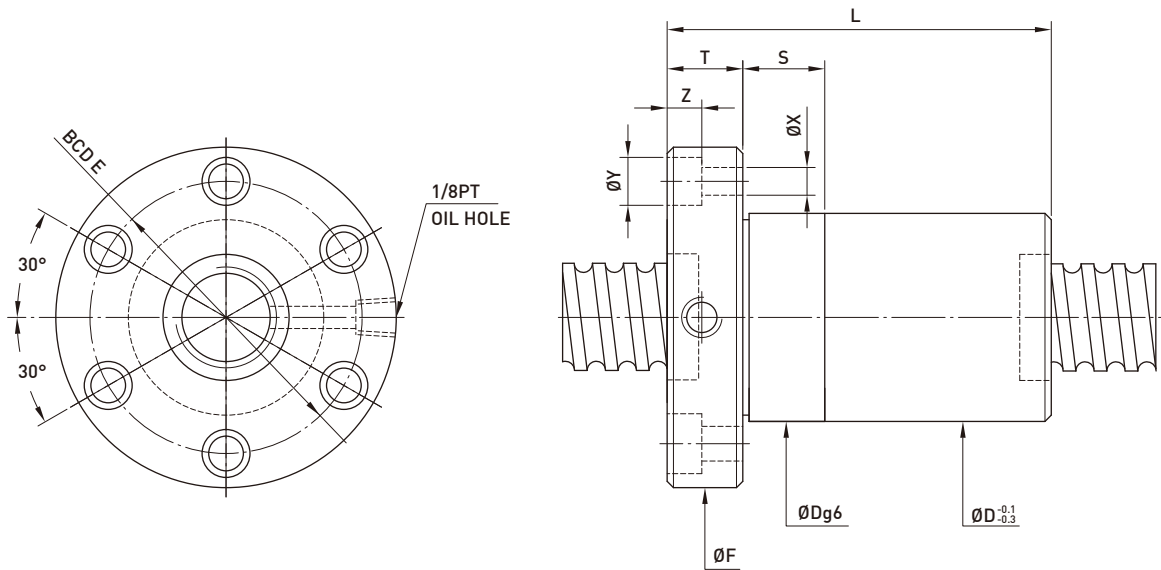


Model	Size		P.C.D.	RD	Ball Dia.	Circuits	Stiffness K (kgf/μm)	Dynamic Load C (kgf)	Static Load Co (kgf)	Start type	D	L	F	T	BCD-E	X	Y	Z	S
	Nominal Dia.	Lead																	
36-20C1	36	20	37.4	30.91	6.35	3.5x1	62.2	3344	8223	2	94	121	136	18	114	11	17.5	11	30
40-20C1	40	20	41.4	34.91	6.35	3.5x1	68	3519	9182	2	96	121	138	18	116	11	17.5	11	30
40-20B2	40	20	41.4	34.91	6.35	2.5x2	95.7	4805	13191	2	96	161	138	18	116	11	17.5	11	30
45-20C1	45	20	46.4	39.91	6.35	3.5x1	76.1	3732	10413	2	98	122	140	18	118	11	17.5	11	30
45-20B2	45	20	46.4	39.91	6.35	2.5x2	106.8	5060	14839	2	98	162	140	18	118	11	17.5	11	30
45-25C1	45	25	46.6	39.299	7.144	3.5x1	75.7	4349	11622	2	101	141	143	18	121	11	17.5	11	30
50-20C1	50	20	51.4	44.91	6.35	3.5x1	81.7	3931	11645	2	101	122	143	18	121	11	17.5	11	40
50-20B2	50	20	51.4	44.91	6.35	2.5x2	114.6	5301	16486	2	101	162	143	18	121	11	17.5	11	40
50-25C1	50	25	51.6	44.299	7.144	3.5x1	82.1	4584	13008	2	103	141	145	18	123	11	17.5	11	40
50-30C1	50	30	51.6	44.299	7.144	3.5x1	84.2	4584	13008	2	103	160	145	18	123	11	17.5	11	40
55-20C1	55	20	56.4	49.91	6.35	3.5x1	88.9	4083	12746	2	103	122	145	18	123	11	17.5	11	40
55-20B2	55	20	56.4	49.91	6.35	2.5x2	124.9	5529	18133	2	103	162	145	18	123	11	17.5	11	40
55-25C1	55	25	56.6	49.299	7.144	3.5x1	90.7	4806	14393	2	105	141	147	18	125	11	17.5	11	40
55-30C1	55	30	56.6	49.299	7.144	3.5x1	90.6	4806	14393	2	105	160	147	18	125	11	17.5	11	40

Note: Stiffness values listed above are derived from theoretical formula while preload is 10% of dynamic load rating.



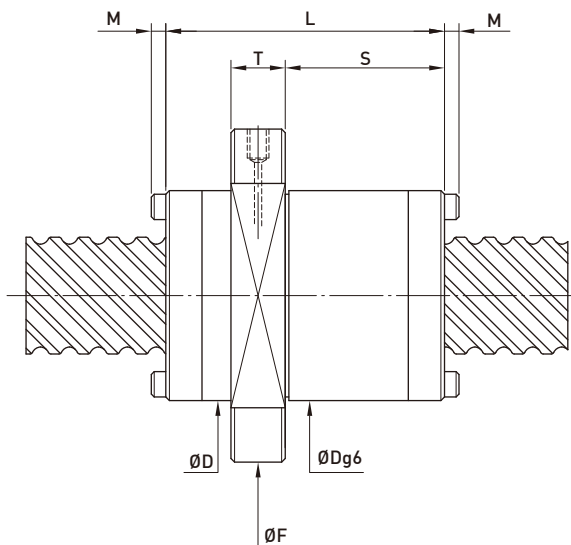
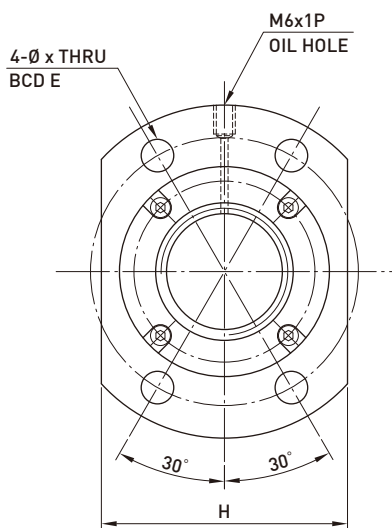
**OFSI Type** ◀ Standard Product



Model	Size		P.C.D.	RD	Ball Dia.	Circuits	Stiffness K (kgf/μm)	Dynamic Load C (kgf)	Static Load Co (kgf)	Nut		Flange			Bolt			Fit
	Nominal Dia.	Lead								D	L	F	T	BCD-E	X	Y	Z	
20-5T3	20	5	20.6	17.324	3.175	3	39	852	1767	34	67	57	12	45	5.5	9.5	5.5	24
20-6T3	20	6	20.8	16.744	3.969	3	39	1091	2081	36	77	60	12	48	5.5	9.5	5.5	24
25-5T3	25	5	25.6	22.324	3.175	3	55	977	2314	40	67	64	12	52	5.5	9.5	5.5	24
25-6T3	25	6	25.8	21.744	3.969	3	56	1272	2762	42	77	65	12	53	5.5	9.5	5.5	24
32-5T3	32	5	32.6	29.324	3.175	3	64	1117	3081	48	67	74	12	60	6.5	11	6.5	24
32-5T4	32	5	32.6	29.324	3.175	4	82	1431	4108	48	77	74	12	60	6.5	11	6.5	24
32-6T3	32	6	32.8	28.744	3.969	3	65	1446	3620	50	67	76	12	62	6.5	11	6.5	24
32-6T4	32	6	32.8	28.744	3.969	4	84	1852	4826	50	90	76	12	62	6.5	11	6.5	24
32-8T3	32	8	33	28.132	4.763	3	68	1810	4227	52	100	78	16	64	6.6	11	6.5	24
32-8T4	32	8	33	28.132	4.763	4	82	2317	5635	52	117	78	16	64	6.6	11	6.5	24
32-10T3	32	10	33.4	26.91	6.350	3	68	2539	5327	56	120	82	16	68	6.6	11	6.5	24
36-8T4	36	8	37	32.132	4.763	4	88	2531	6614	56	116	86	15	70	9	14	8.5	25
40-5T4	40	5	40.6	37.324	3.175	4	99	1599	5280	54	81	80	16	66	6.6	11	6.5	24
40-5T6	40	5	40.6	37.324	3.175	6	146	2265	7919	54	102	80	16	66	6.6	11	6.5	24
40-6T4	40	6	40.8	36.744	3.969	4	100	2136	6420	56	94	88	16	72	9	14	8.5	30
40-6T6	40	6	40.8	36.744	3.969	6	148	3028	9630	56	119	88	16	72	9	14	8.5	30
40-8T4	40	8	41	36.132	4.763	4	102	2728	7596	60	117	92	16	75	9	14	8.5	30
40-10T3	40	10	41.4	34.91	6.350	3	76	2959	7069	65	123	96	16	80	9	14	8.5	30
40-10T4	40	10	41.4	34.91	6.350	4	101	3789	9426	65	143	96	16	80	9	14	8.5	30
50-5T4	50	5	50.6	47.324	3.175	4	121	1757	6745	65	81	96	16	80	9	14	8.5	30
50-5T6	50	5	50.6	47.324	3.175	6	177	2490	10117	65	102	96	16	80	9	14	8.5	30
50-6T4	50	6	50.8	46.744	3.969	4	123	2388	8250	68	94	100	16	84	9	14	8.5	30
50-6T6	50	6	50.8	46.744	3.969	6	179	3384	12375	68	119	100	16	84	9	14	8.5	30
50-8T4	50	8	51	46.132	4.763	4	122	2998	9578	70	120	102	16	85	9	14	8.8	30
50-10T3	50	10	51.4	44.91	6.350	3	95	3397	9256	74	123	114	18	92	11	17.5	11	40
50-10T4	50	10	51.4	44.91	6.350	4	124	4350	12341	74	143	114	18	92	11	17.5	11	40
50-12T3	50	12	51.8	43.688	7.938	3	94	4420	11047	78	147	118	18	96	11	17.5	11	40
63-6T4	63	6	63.8	59.744	3.969	4	148	2614	10542	80	96	119	18	98	11	17.5	11	40
63-6T3	63	6	63.8	59.744	3.969	3	220	3704	15813	80	121	119	18	98	11	17.5	11	40
63-8T4	63	8	64	59.132	4.763	4	152	3395	12541	82	119	122	18	100	11	17.5	11	40
63-10T4	63	10	64.4	57.91	6.350	4	158	4860	15858	88	147	134	20	110	14	20	13	40
63-12T3	63	12	64.8	56.688	7.938	3	114	5059	14470	92	150	138	20	114	14	20	13	40

Note: Stiffness values listed above are derived from theoretical formula while preload is 10% of dynamic load rating.

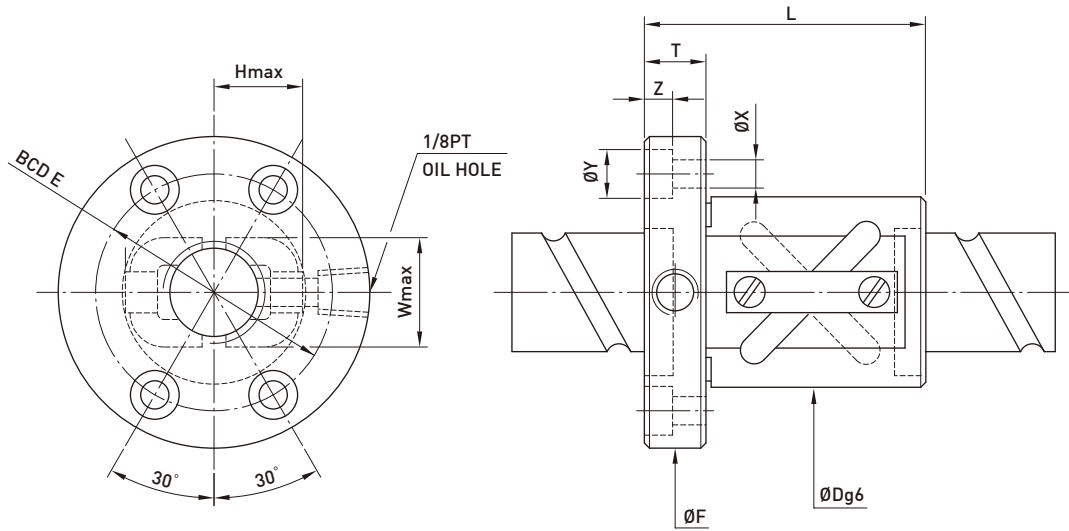
## FSH Type ◀ High Lead



Model	Size		P.C.D.	RD	Ball Dia.	Circuits	Stiffness K (kgf/µm)	Dynamic Load C (kgf)	Static Load Co (kgf)	Nut		Flange				Bolt		Fit	
	Nominal Dia.	Lead								D	L	F	T	BCD-E	H	X	S	M	
15-20S1	15	20	15.6	12.324	3.175	1.8x1	18	540	1030	34	45	55	10	45	36	5.5	24	0	
16-16S2	16	16	16.6	13.324	3.175	1.8x2	35	1060	2280	32	48	53	10	42	38	4.5	26	0	
16-16S4	16	16	16.6	13.324	3.175	1.8x4	68	1930	4560	32	48	53	10	42	38	4.5	26	0	
16-16S2	16	16	16.6	13.324	3.175	1.8x2	35	1060	2280	33	48	58	10	45	38	6.6	26	0	
16-16S4	16	16	16.6	13.324	3.175	1.8x4	68	1930	4560	33	48	58	10	45	38	6.6	26	0	
20-20S2	20	20	20.6	17.324	3.175	1.8x2	42	1180	2860	39	48	62	10	50	46	5.5	27.5	0	
20-20S2	20	20	20.6	17.324	3.175	1.8x2	42	1180	2860	38	58	62	10	50	46	5.5	32.5	3	
20-20S4	20	20	20.6	17.324	3.175	1.8x4	81	2150	5720	38	58	62	10	50	46	5.5	32.5	3	
25-25S2	25	25	25.8	21.744	3.969	1.8x2	53	1770	4470	47	67	74	12	60	56	6.6	39.5	3	
25-25S4	25	25	25.8	21.744	3.969	1.8x4	105	3220	8940	47	67	74	12	60	56	6.6	39.5	3	
32-32S2	32	32	33	28.132	4.763	1.8x2	66	2510	6770	58	85	92	15	74	68	9	48	0	
32-32S4	32	32	33	28.132	4.763	1.8x4	128	4550	13540	58	85	92	15	74	68	9	48	0	
40-40S2	40	40	41.4	34.91	6.350	1.8x2	82	4130	11450	72	102	114	17	93	84	11	60	0	
40-40S4	40	40	41.4	34.91	6.350	1.8x4	159	7500	22910	72	102	114	17	93	84	11	60	0	
50-50S2	50	50	51.8	43.688	7.938	1.8x2	100	6170	17900	90	125	135	20	112	104	14	83.5	0	
50-50S4	50	50	51.8	43.688	7.938	1.8x4	193	11210	35800	90	125	135	20	112	104	14	83.5	0	

Note: Stiffness values listed above are derived from theoretical formula while preload is 5% of dynamic load rating.

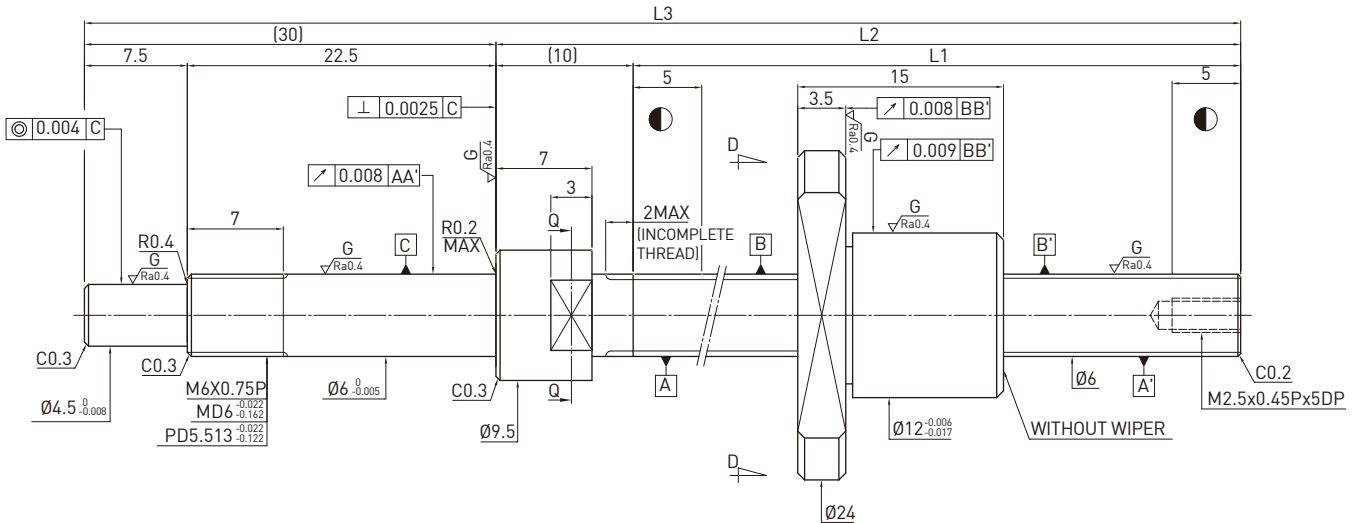
**DFSV Type** ◀ High Lead



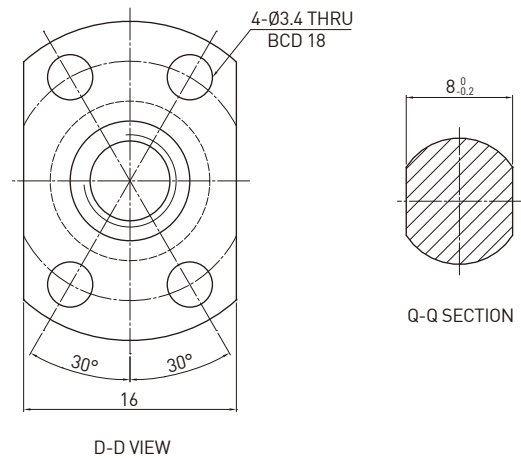
Model	Size		P.C.D.	RD	Ball Dia.	Circuits	Stiffness K (kgf/μm)	Dynamic Load C (kgf)	Static Load Co (kgf)	Nut		Flange			Return Tube		Bolt		
	Nominal Dia.	Lead								D	L	F	T	BCD-E	W	H	X	Y	Z
16-16A2	16	16	16.6	13.324	3.175	1.5x2	17.9	704	1376	32	60	55	12	43	22	22	5.5	9.5	5.5
20-20A2	20	20	20.6	17.324	3.175	1.5x2	21.4	793	1745	36	69	60	12	47	28	27	5.5	9.5	5.5
25-25A2	25	25	25.8	21.744	3.969	1.5x2	28.3	1174	2730	42	69	70	12	55	32	28	6.6	11	6.5
32-32A2	32	32	33	28.132	4.763	1.5x2	35	1682	4208	54	94	100	15	80	40	37	9	14	8.5
40-40A2	40	40	41.4	34.91	6.350	1.5x2	43.8	2806	7222	65	115	106	18	85	52	42	11	17.5	11

## 6.3 Miniature Ground Ballscrew

### FSI Type (SHAFT OD 6, LEAD 1) ◀ Miniature



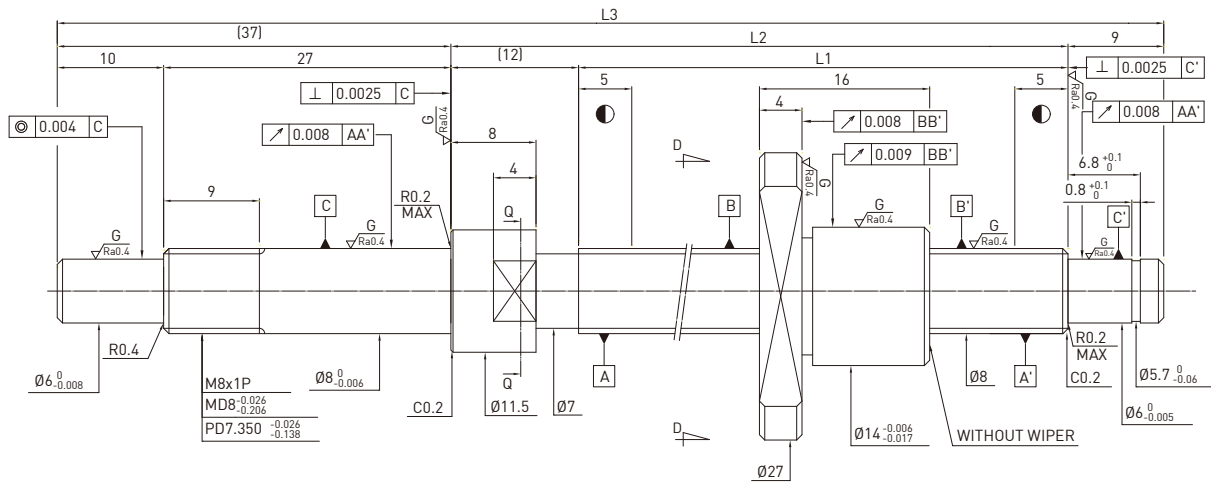
Ballscrew Data		
Direction	Right Hand	
Lead (mm)	1.0	
Lead Angle	2.99°	
P.C.D (mm)	6.1	
RD (mm)	5.261	
Steel Ball (mm)	Ø0.8	
Circuits	1x3	
Dynamic Load C (kgf)	66	
Static Load Co (kgf)	111	
Axial Play (mm)	0	0.005 MAX
Drag Torque (kgf-cm)	0.13 MAX	0.03 MAX
Spacer Ball	-	-



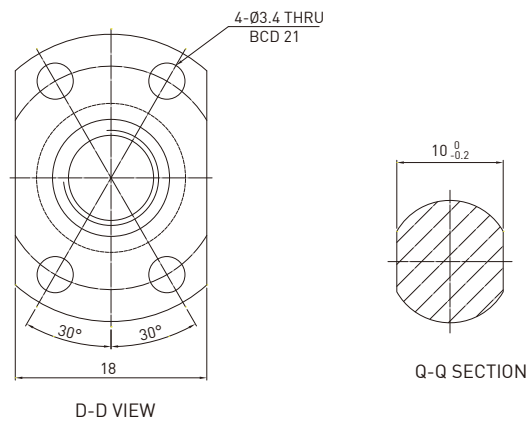
Unit : mm

Stroke	HIWIN Code	L1	L2	L3	Accuracy grade
40	R6-1.0T3-FSI-65-105-0.008	65	75	105	C3
70	R6-1.0T3-FSI-95-135-0.008	95	105	135	C3
100	R6-1.0T3-FSI-125-165-0.008	125	135	165	C3

**FSI Type** (SHAFT OD 8, LEAD 1) ◀ Miniature



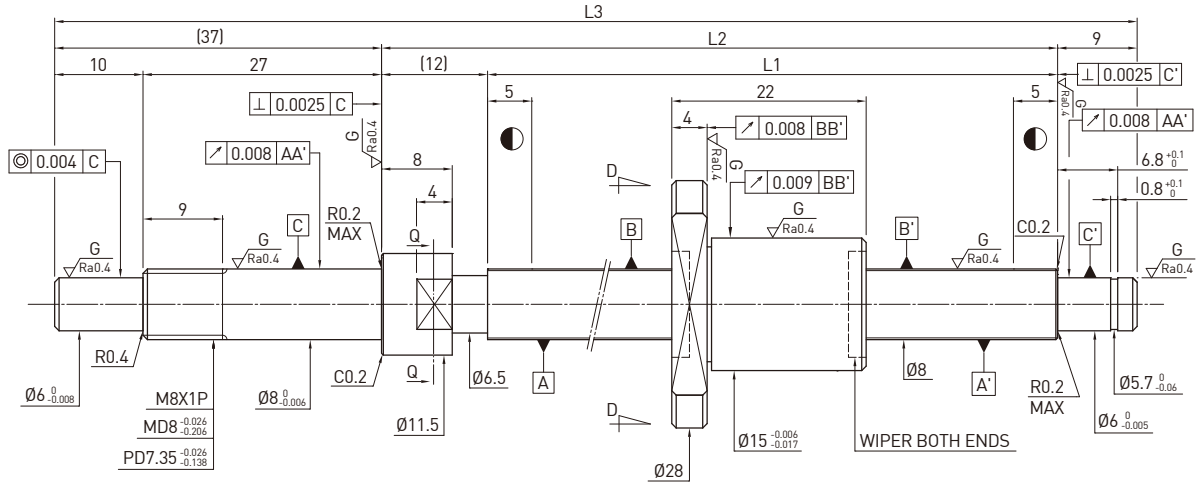
Ball screw Data		
Direction	Right Hand	
Lead (mm)	1.0	
Lead Angle	2.25°	
P.C.D (mm)	8.1	
RD (mm)	7.261	
Steel Ball (mm)	Ø0.8	
Circuits	1x3	
Dynamic Load C (kgf)	79	
Static Load Co (kgf)	157	
Axial Play (mm)	0	0.005 MAX
Drag Torque (kgf-cm)	0.18 MAX	0.05 MAX
Spacer Ball	-	-



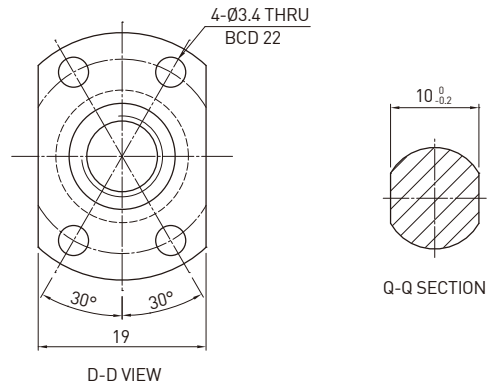
Unit : mm

Stroke	HIWIN Code	L1	L2	L3	Accuracy grade
40	R8-1.0T3-FSI-80-138-0.008	80	92	138	C3
70	R8-1.0T3-FSI-110-168-0.008	110	122	168	C3
100	R8-1.0T3-FSI-140-198-0.008	140	152	198	C3
150	R8-1.0T3-FSI-190-248-0.008	190	202	248	C3

**FSI Type** (SHAFT OD 8, LEAD 1.5) ◀ Miniature



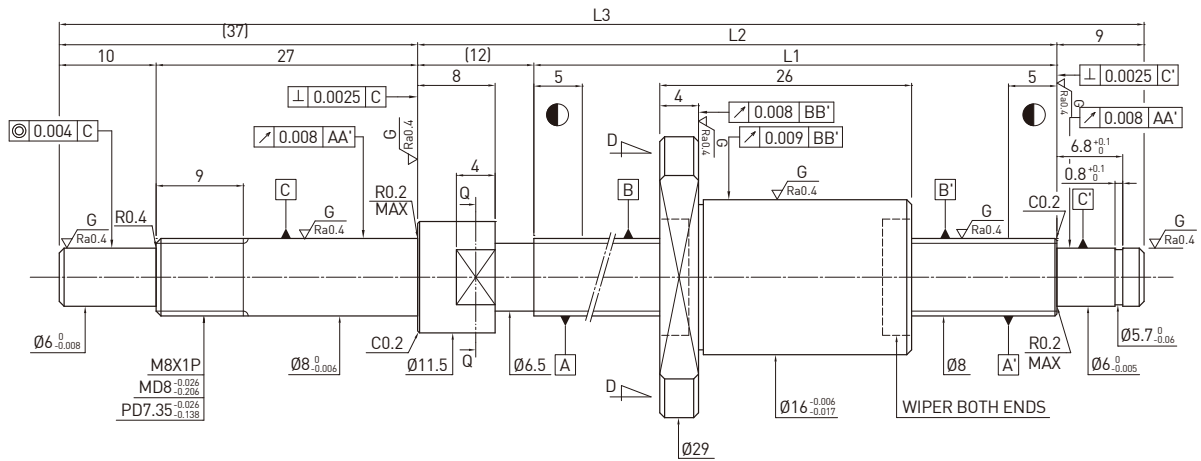
Ball screw Data	
Direction	Right Hand
Lead (mm)	1.5
Lead Angle	3.37°
P.C.D (mm)	8.1
RD (mm)	7.050
Steel Ball (mm)	Ø1
Circuits	1x3
Dynamic Load C (kgf)	105
Static Load Co (kgf)	191
Axial Play (mm)	0      0.005 MAX
Drag Torque (kgf-cm)	0.2 MAX    0.05 MAX
Spacer Ball	-      -



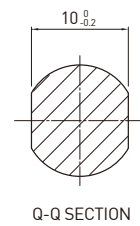
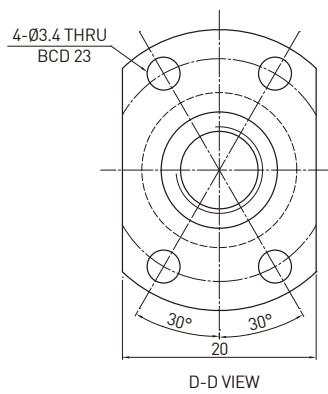
Unit : mm

Stroke	HIWIN Code	L1	L2	L3	Accuracy grade
40	R8-1.5T3-FSI-80-138-0.008	80	92	138	C3
70	R8-1.5T3-FSI-110-168-0.008	110	122	168	C3
100	R8-1.5T3-FSI-140-198-0.008	140	152	198	C3
150	R8-1.5T3-FSI-190-248-0.008	190	202	248	C3

**FSI Type (SHAFT OD 8, LEAD 2) ◀ Miniature**



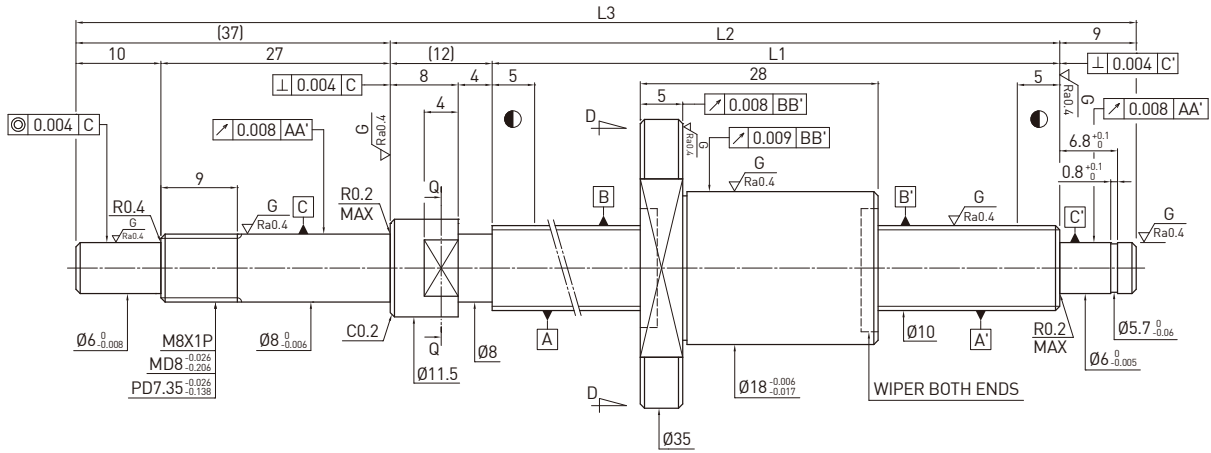
Ball screw Data		
Direction	Right Hand	
Lead (mm)	2	
Lead Angle	4.44°	
P.C.D (mm)	8.2	
RD (mm)	6.652	
Steel Ball (mm)	Ø1.5	
Circuits	1x3	
Dynamic Load C (kgf)	170	
Static Load Co (kgf)	267	
Axial Play (mm)	0	0.005 MAX
Drag Torque (kgf-cm)	0.20 MAX	0.03 MAX
Spacer Ball	-	-



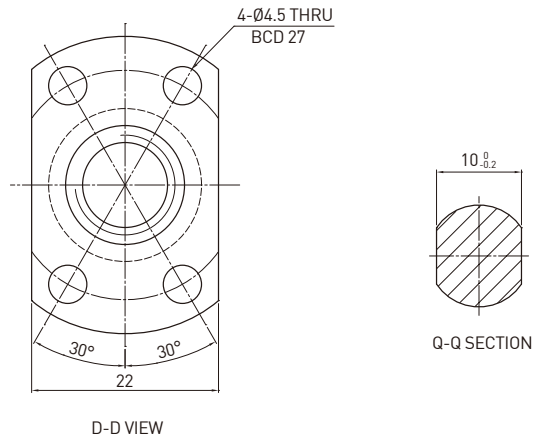
Unit : mm

Stroke	HIWIN Code	L1	L2	L3	Accuracy grade
40	R8-2T3-FSI-80-138-0.008	80	92	138	C3
70	R8-2T3-FSI-110-168-0.008	110	122	168	C3
100	R8-2T3-FSI-140-198-0.008	140	152	198	C3
150	R8-2T3-FSI-190-248-0.008	190	202	248	C3

**FSI Type** (SHAFT OD 10, LEAD 2) ◀ Miniature



Ball screw Data		
Direction	Right Hand	
Lead (mm)	2	
Lead Angle	3.57°	
P.C.D (mm)	10.2	
RD (mm)	8.652	
Steel Ball (mm)	Ø1.5	
Circuits	1x3	
Dynamic Load C (kgf)	196	
Static Load Co (kgf)	348	
Axial Play (mm)	0	0.005 MAX
Drag Torque (kgf-cm)	0.01-0.24	0.05 MAX
Spacer Ball	-	-

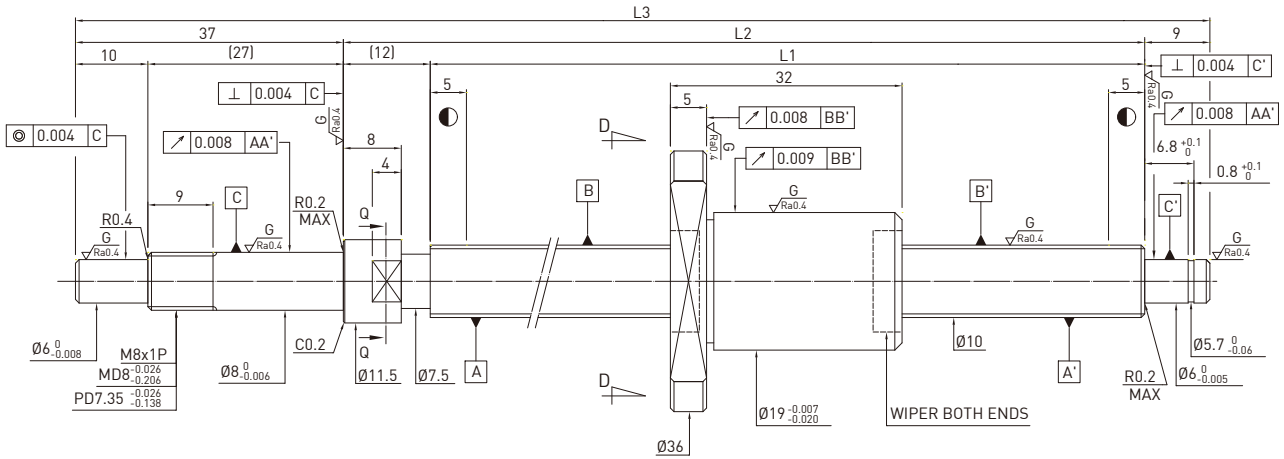


Unit : mm

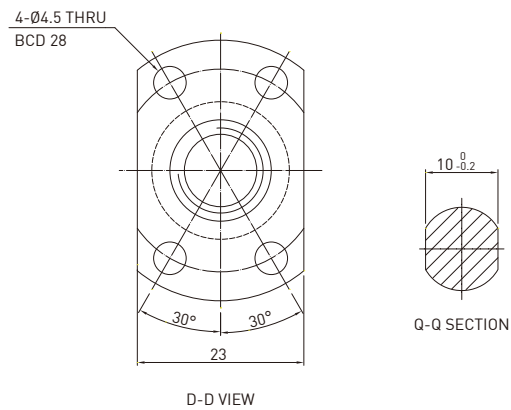
Stroke	HIWIN Code	L1	L2	L3	Accuracy grade
50	R10-2T3-FSI-100-158-0.008	100	112	158	C3
100	R10-2T3-FSI-150-208-0.008	150	162	208	C3
150	R10-2T3-FSI-200-258-0.008	200	212	258	C3
200	R10-2T3-FSI-250-308-0.008	250	262	308	C3



**FSI Type** (SHAFT OD 10, LEAD 2.5) ◀ Miniature



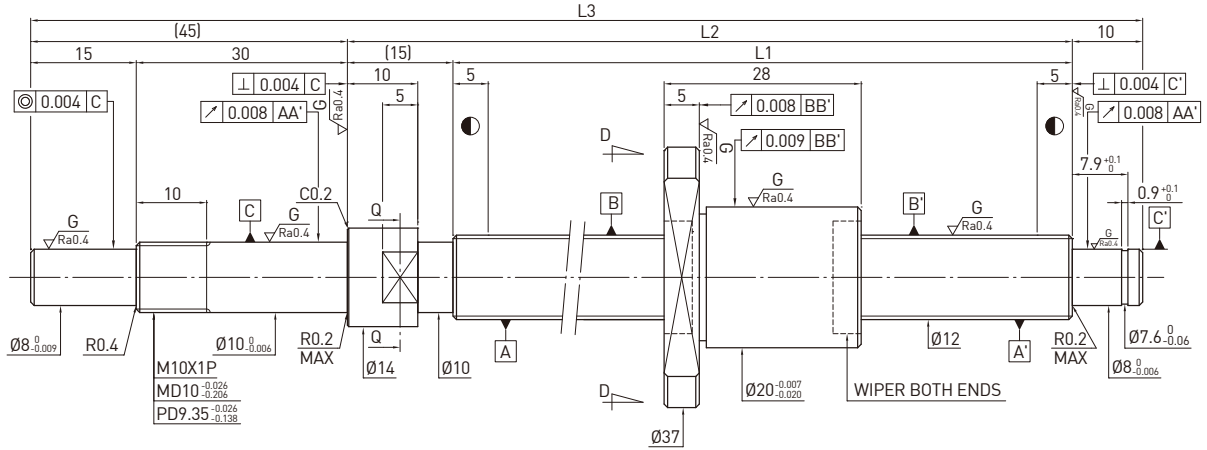
Ballscrew Data		
Direction	Right Hand	
Lead (mm)	2.5	
Lead Angle	4.46°	
P.C.D (mm)	10.2	
RD (mm)	8.136	
Steel Ball (mm)	Ø2	
Circuits	1x3	
Dynamic Load C (kgf)	274	
Static Load Co (kgf)	438	
Axial Play (mm)	0	0.005 MAX
Drag Torque (kgf-cm)	0.02-0.3	0.05 MAX
Spacer Ball	-	-



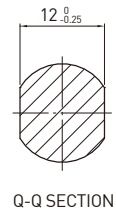
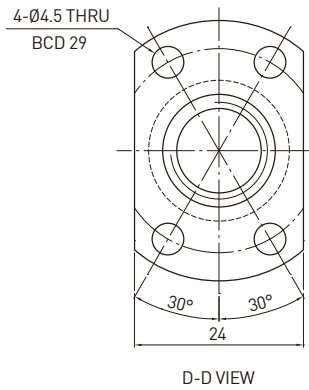
Unit : mm

Stroke	HIWIN Code	L1	L2	L3	Accuracy grade
50	R10-2.5T3-FSI-100-158-0.008	100	112	158	C3
100	R10-2.5T3-FSI-150-208-0.008	150	162	208	C3
150	R10-2.5T3-FSI-200-258-0.008	200	212	258	C3
200	R10-2.5T3-FSI-250-308-0.008	250	262	308	C3

**FSI Type** (SHAFT OD 12, LEAD 2) ◀ Miniature



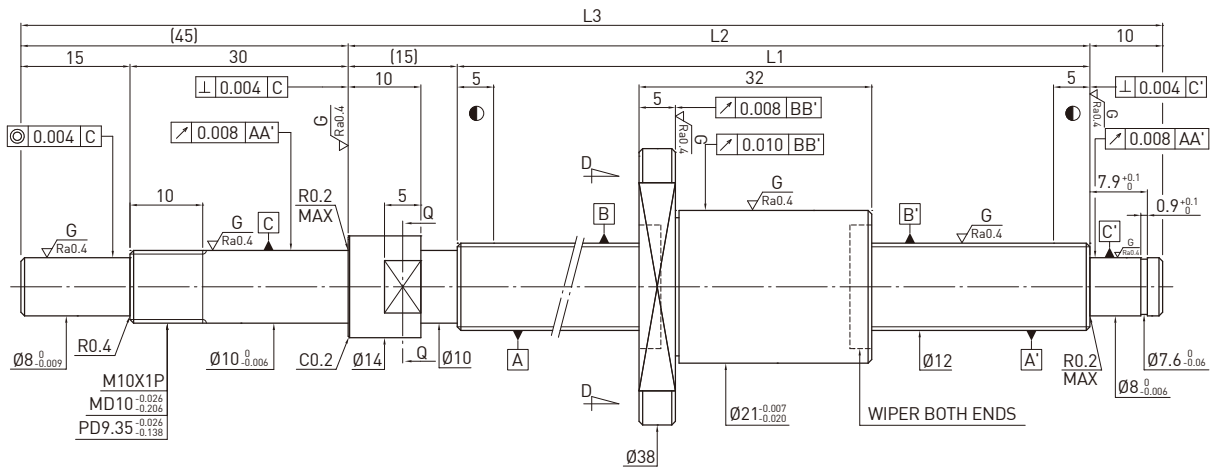
Ballscrew Data		
Direction	Right Hand	
Lead (mm)	2	
Lead Angle	2.99°	
P.C.D (mm)	12.2	
RD (mm)	10.652	
Steel Ball (mm)	Ø1.5	
Circuits	1x3	
Dynamic Load C (kgf)	217	
Static Load Co (kgf)	430	
Axial Play (mm)	0	0.005 MAX
Drag Torque (kgf-cm)	0.04~0.35	0.1 MAX
Spacer Ball	-	-



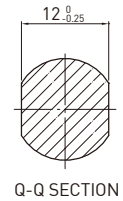
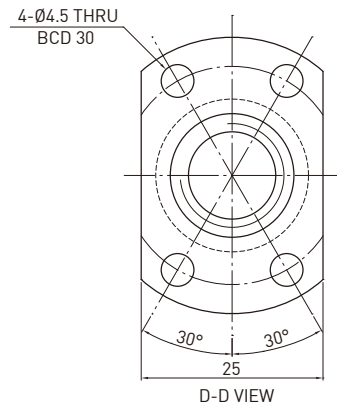
Unit : mm

Stroke	HIWIN Code	L1	L2	L3	Accuracy grade
50	R12-2T3-FSI-110-180-0.008	110	125	180	C3
100	R12-2T3-FSI-160-230-0.008	160	175	230	C3
150	R12-2T3-FSI-210-280-0.008	210	225	280	C3
200	R12-2T3-FSI-260-330-0.008	260	275	330	C3
250	R12-2T3-FSI-310-380-0.008	310	325	380	C3

**FSI Type** (SHAFT OD 12, LEAD 2.5) ◀ Miniature



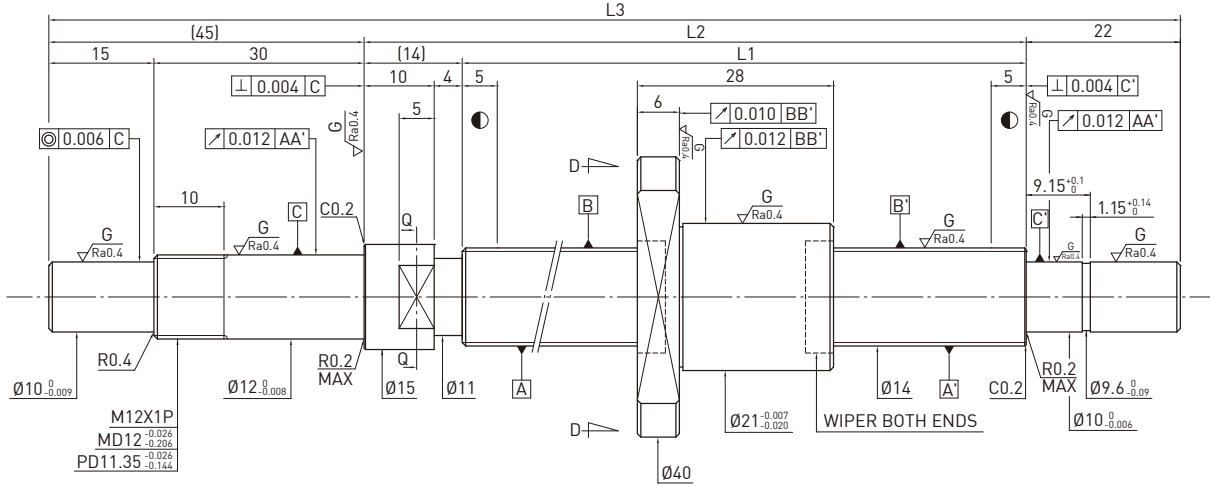
Ballscrew Data	
Direction	Right Hand
Lead (mm)	2.5
Lead Angle	3.73°
P.C.D (mm)	12.2
RD (mm)	10.136
Steel Ball (mm)	Ø2
Circuits	1x3
Dynamic Load C (kgf)	309
Static Load Co (kgf)	546
Axial Play (mm)	0      0.005 MAX
Drag Torque (kgf-cm)	0.04~0.35      0.1 MAX
Spacer Ball	-      -



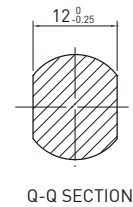
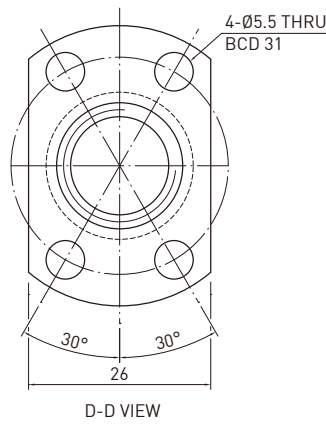
Unit : mm

Stroke	HIWIN Code	L1	L2	L3	Accuracy grade
50	R12-2.5T3-FSI-110-180-0.008	110	125	180	C3
100	R12-2.5T3-FSI-160-230-0.008	160	175	230	C3
150	R12-2.5T3-FSI-210-280-0.008	210	225	280	C3
200	R12-2.5T3-FSI-260-330-0.008	260	275	330	C3
250	R12-2.5T3-FSI-310-380-0.008	310	325	380	C3

**FSI Type** (SHAFT OD 14, LEAD 2) ◀ Miniature



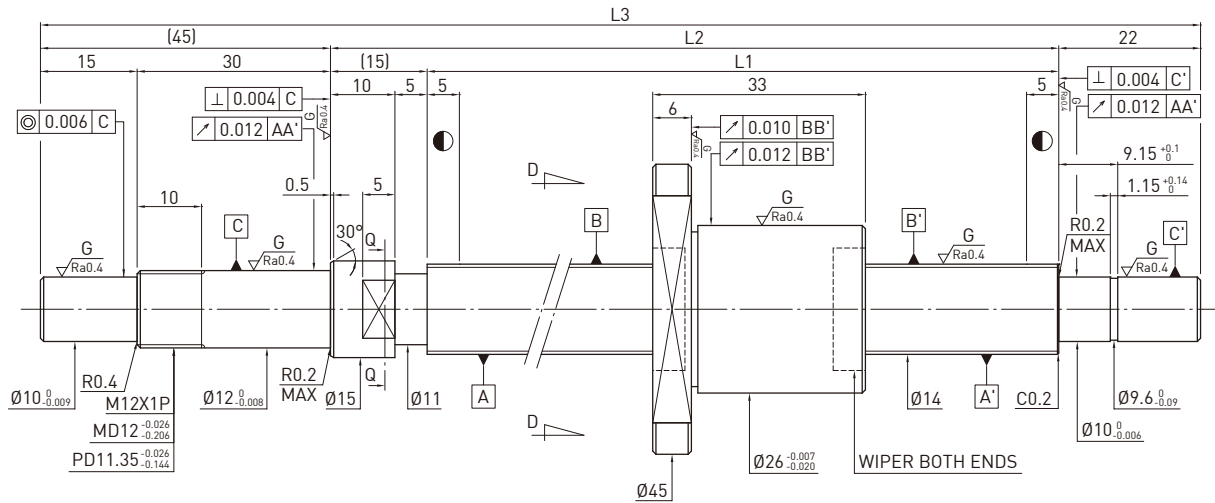
Ball screw Data		
Direction	Right Hand	
Lead (mm)	2	
Lead Angle	2.57°	
P.C.D (mm)	14.2	
RD (mm)	12.652	
Steel Ball (mm)	Ø1.5	
Circuits	1x3	
Dynamic Load C (kgf)	236	
Static Load Co (kgf)	511	
Axial Play (mm)	0	0.005 MAX
Drag Torque (kgf-cm)	0.05~0.5	-
Spacer Ball	-	-



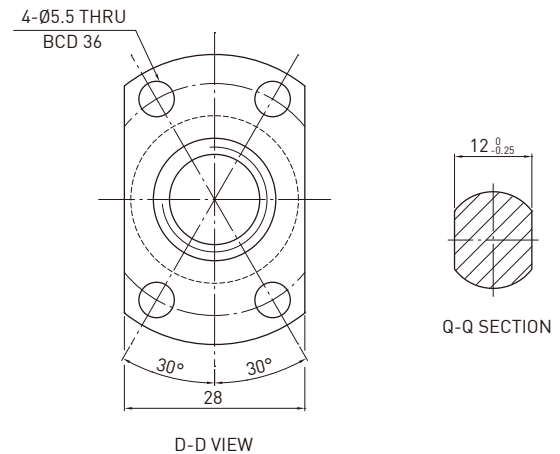
Unit : mm

Stroke	HIWIN Code	L1	L2	L3	Accuracy grade
50	R14-2T3-FSI-85-166-0.008	85	99	166	C3
100	R14-2T3-FSI-135-216-0.008	135	149	216	C3
150	R14-2T3-FSI-185-266-0.008	185	199	266	C3
200	R14-2T3-FSI-235-316-0.008	235	249	316	C3
250	R14-2T3-FSI-335-416-0.008	335	349	416	C3

**FSI Type** (SHAFT OD 14, LEAD 4) ◀ Miniature



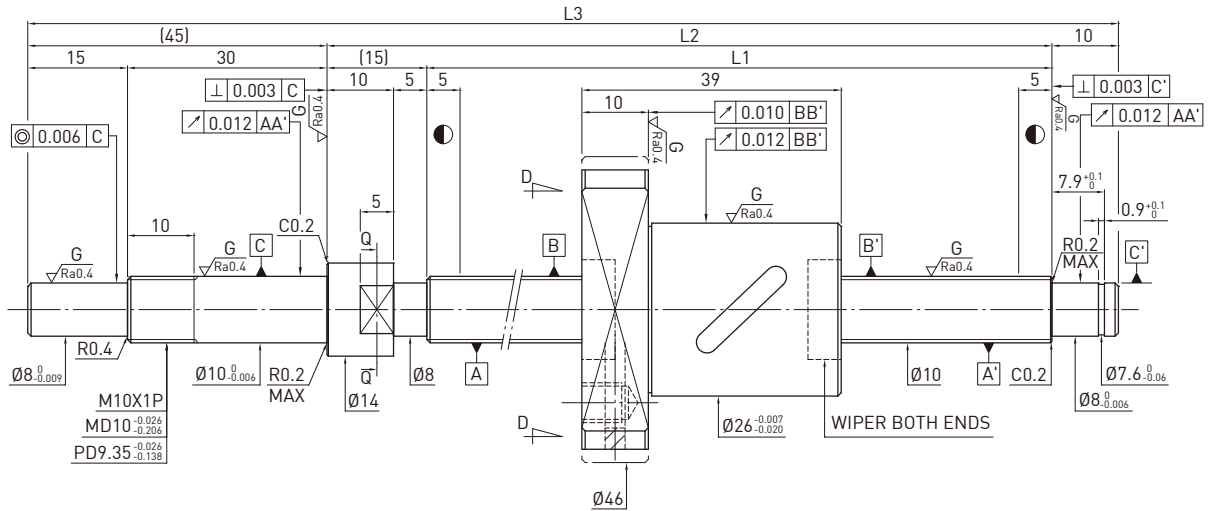
Ball screw Data	
Direction	Right Hand
Lead (mm)	4
Lead Angle	5.11°
P.C.D (mm)	14.25
RD (mm)	11.792
Steel Ball (mm)	Ø2.381
Circuits	1x3
Dynamic Load C (kgf)	403
Static Load Co (kgf)	725
Axial Play (mm)	0      0.005 MAX
Drag Torque (kgf-cm)	0.1-0.7      -
Spacer Ball	-      -



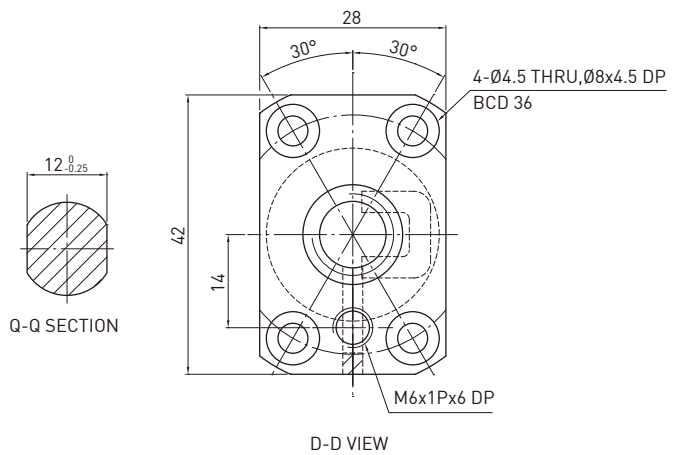
Unit : mm

Stroke	HIWIN Code	L1	L2	L3	Accuracy grade
100	R14-4T3-FSI-148-230-0.008	148	163	230	C3
150	R14-4T3-FSI-198-280-0.008	198	213	280	C3
200	R14-4T3-FSI-248-330-0.008	248	263	330	C3
300	R14-4T3-FSI-348-430-0.008	348	363	430	C3
400	R14-4T3-FSI-448-530-0.008	448	463	530	C3

**FSB Type (SHAFT OD 10, LEAD 4) ◀ Miniature**



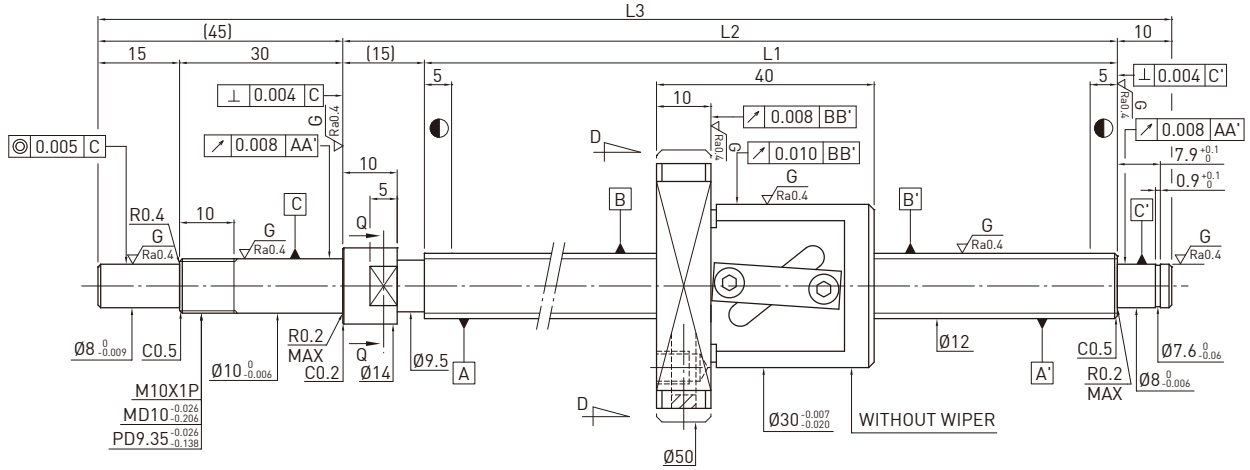
Ball screw Data	
Direction	Right Hand
Lead (mm)	4
Lead Angle	7.11°
P.C.D (mm)	10.2
RD (mm)	8.136
Steel Ball (mm)	Ø2
Circuits	2.5x1
Dynamic Load C (kgf)	176      280
Static Load Co (kgf)	225      449
Axial Play (mm)	0      0.005 MAX
Drag Torque (kgf-cm)	0.05~0.4      0.1 MAX
Spacer Ball	1 : 1      -



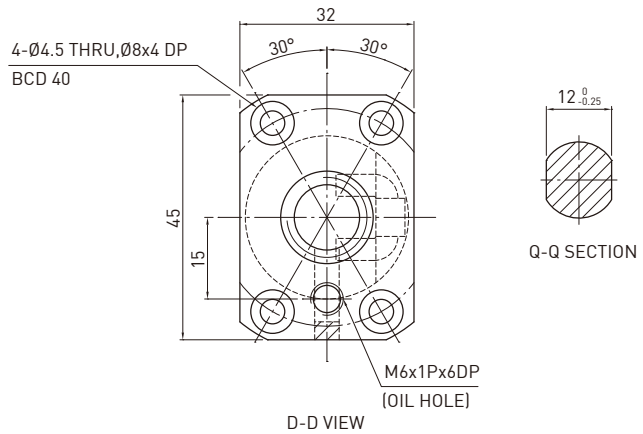
Unit : mm

Stroke	HIWIN Code	L1	L2	L3	Accuracy grade
50	R10-4B1-FSB-110-180-0.008	110	125	180	C3
100	R10-4B1-FSB-160-230-0.008	160	175	230	C3
150	R10-4B1-FSB-210-280-0.008	210	225	280	C3
200	R10-4B1-FSB-260-330-0.008	260	275	330	C3
250	R10-4B1-FSB-310-380-0.008	310	325	380	C3
300	R10-4B1-FSB-360-430-0.008	360	375	430	C3

**FSW Type** (SHAFT OD 12, LEAD 5) ◀ Miniature



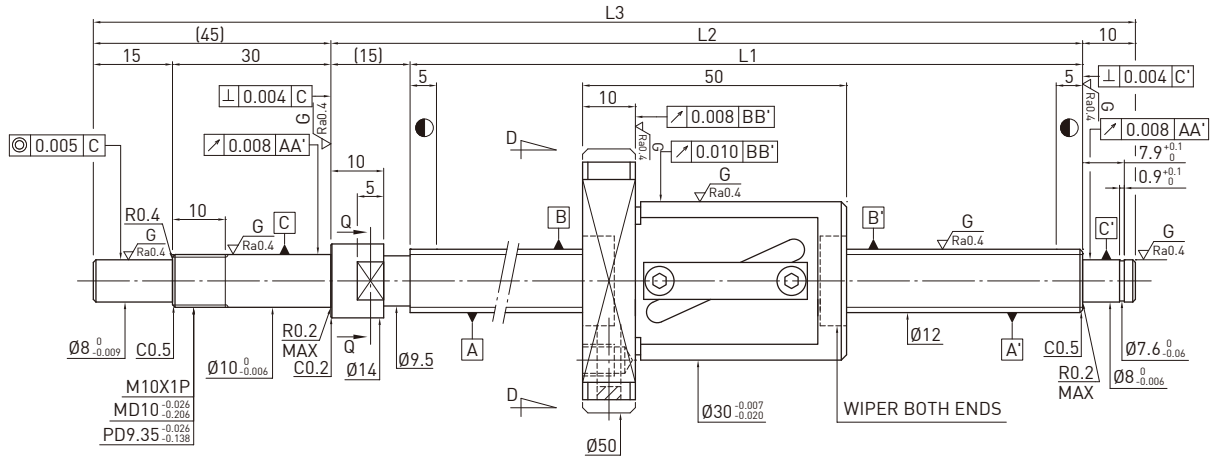
Ball screw Data	
Direction	Right Hand
Lead (mm)	5
Lead Angle	7.4°
P.C.D (mm)	12.25
RD (mm)	9.792
Steel Ball (mm)	Ø2.381
Circuits	2.5x1
Dynamic Load C (kgf)	241      382
Static Load Co (kgf)	319      637
Axial Play (mm)	0      0.005 MAX
Drag Torque (kgf-cm)	0.1-0.45      0.1 MAX
Spacer Ball	1 : 1      -



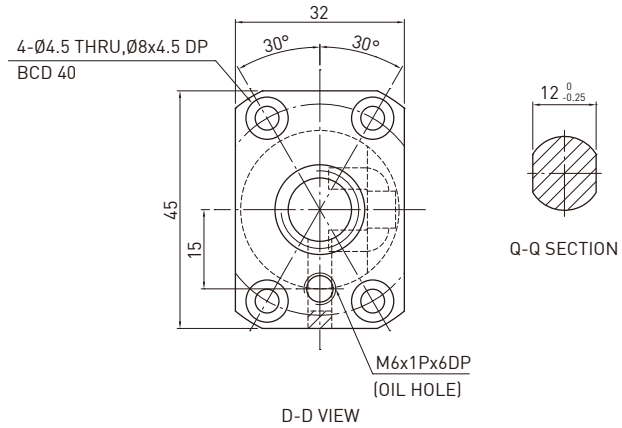
Unit : mm

Stroke	HIWIN Code	L1	L2	L3	Accuracy grade
50	R12-5B1-FSW -110-180-0.008	110	125	180	C3
100	R12-5B1-FSW -160-230-0.008	160	175	230	C3
150	R12-5B1-FSW -210-280-0.008	210	225	280	C3
200	R12-5B1-FSW -260-330-0.008	260	275	330	C3
250	R12-5B1-FSW -310-380-0.008	310	325	380	C3
350	R12-5B1-FSW -410-480-0.008	410	425	480	C3
450	R12-5B1-FSW -510-580-0.008	510	525	580	C3

**FSW Type** (SHAFT OD 12, LEAD 10) ◀ Miniature



Ball screw Data	
Direction	Right Hand
Lead (mm)	10
Lead Angle	14.57°
P.C.D (mm)	12.25
RD (mm)	9.792
Steel Ball (mm)	Ø2.381
Circuits	2.5x1
Dynamic Load C (kgf)	241      382
Static Load Co (kgf)	319      637
Axial Play (mm)	0      0.005 MAX
Drag Torque (kgf-cm)	0.1~0.5      0.5 MAX
Spacer Ball	1 : 1      -

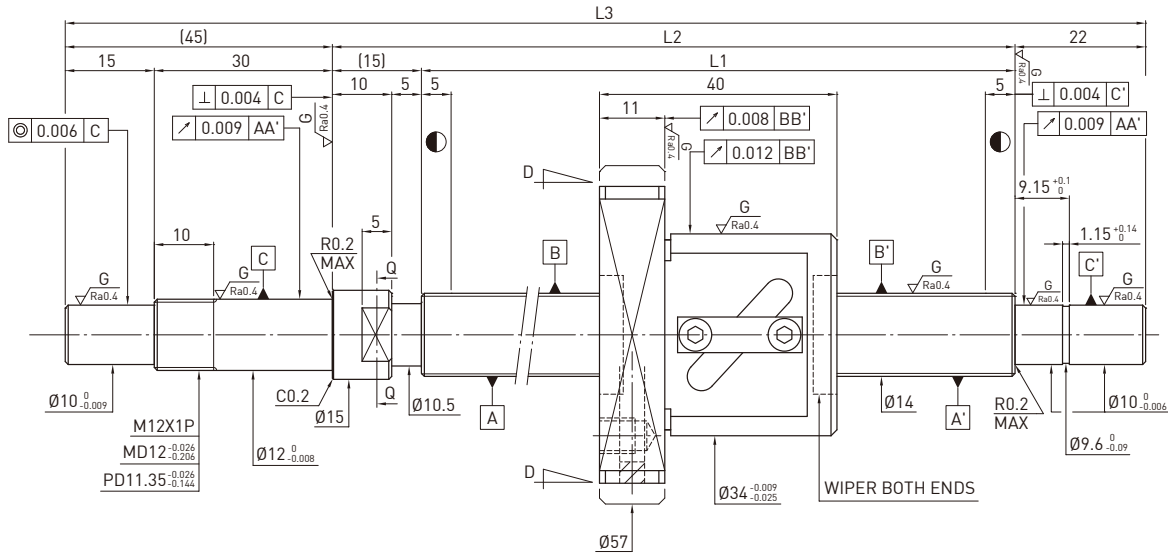


Unit : mm

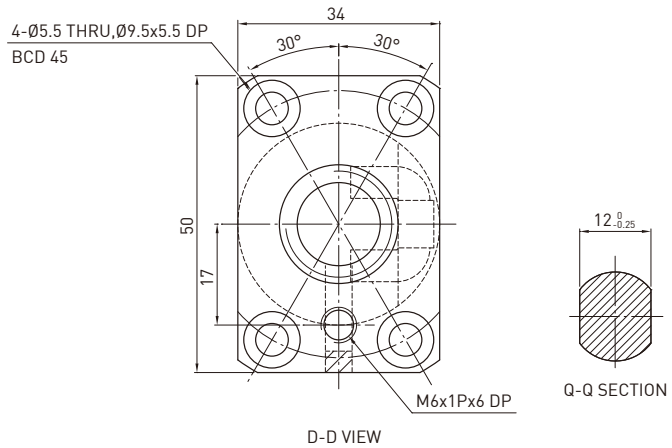
Stroke	HIWIN Code	L1	L2	L3	Accuracy grade
100	R12-10B1-FSW-160-230-0.008	160	175	230	C3
150	R12-10B1-FSW-210-280-0.008	210	225	280	C3
250	R12-10B1-FSW-310-380-0.008	310	325	380	C3
350	R12-10B1-FSW-410-480-0.008	410	425	480	C3
450	R12-10B1-FSW-510-580-0.008	510	525	580	C3



**FSW Type** (SHAFT OD 14, LEAD 5) ◀ Miniature



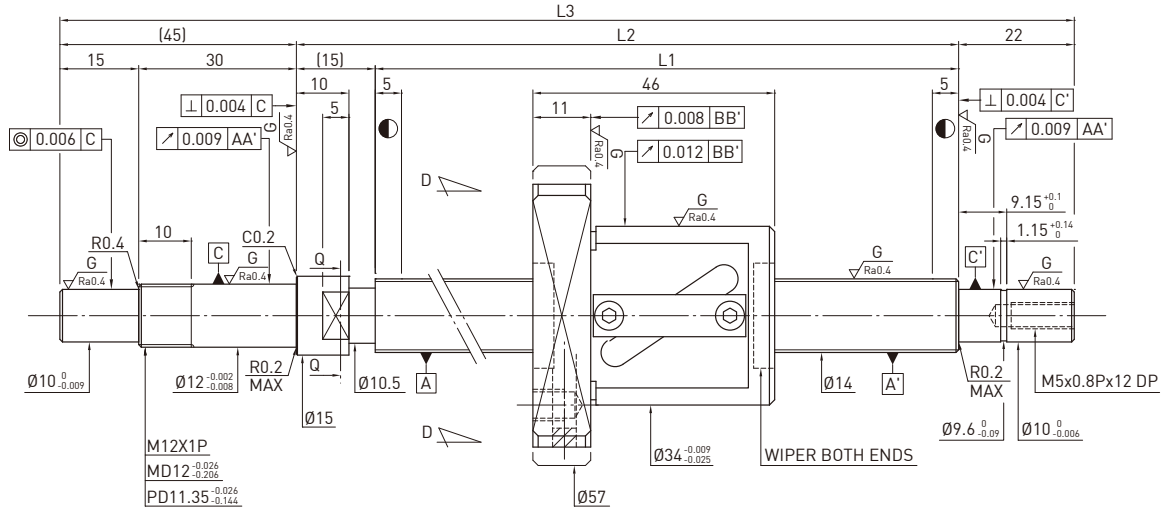
Ball screw Data	
Direction	Right Hand
Lead (mm)	5
Lead Angle	6.22°
P.C.D (mm)	14.6
RD (mm)	11.324
Steel Ball (mm)	Ø3.175
Circuits	2.5x1
Dynamic Load C (kgf)	448      710
Static Load Co (kgf)	608      1215
Axial Play (mm)	0      0.005 MAX
Drag Torque (kgf-cm)	0.15-0.70      0.2 MAX
Spacer Ball	1 : 1      -



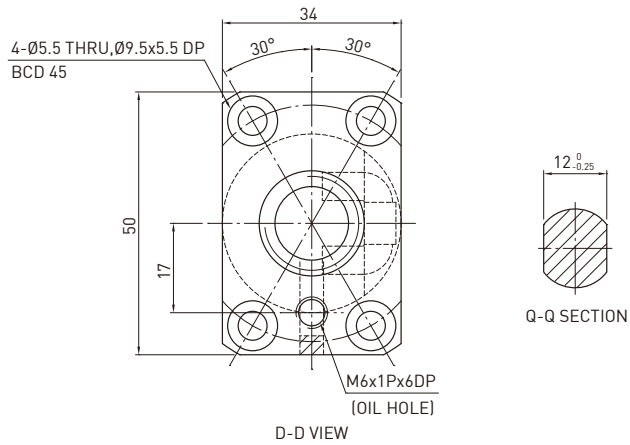
Unit : mm

Stroke	HIWIN Code	L1	L2	L3	Accuracy grade
100	R14-5B1-FSW-189-271-0.008	189	204	271	C3
150	R14-5B1-FSW-239-321-0.008	239	254	321	C3
250	R14-5B1-FSW-339-421-0.008	339	354	421	C3
350	R14-5B1-FSW-439-521-0.008	439	454	521	C3
450	R14-5B1-FSW-539-621-0.008	539	554	621	C3
600	R14-5B1-FSW-689-771-0.008	689	704	771	C3

**FSW Type (SHAFT OD 14, LEAD 8) ◀ Miniature**



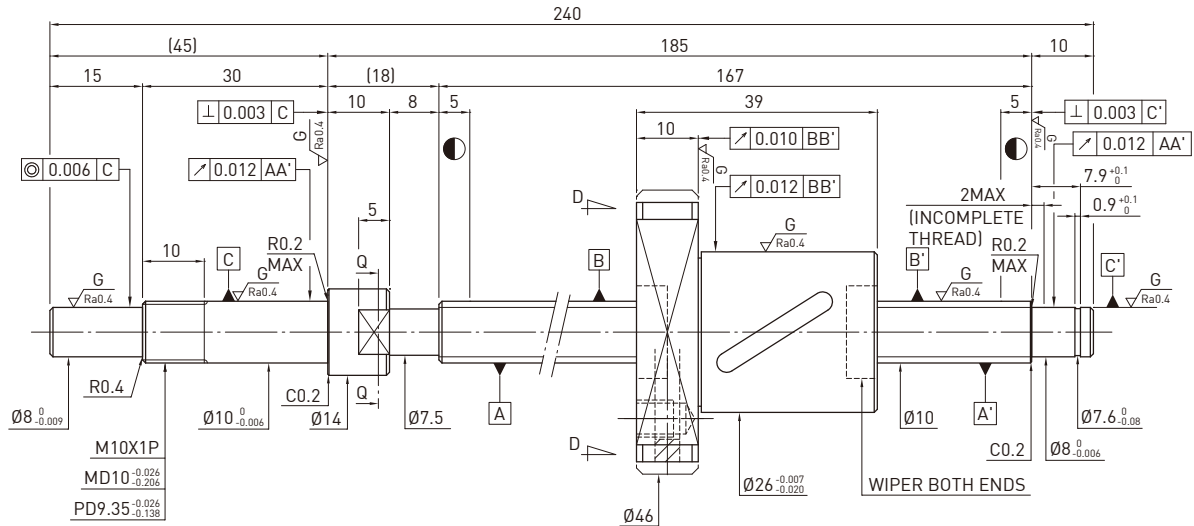
Ball screw Data		
Direction	Right Hand	
Lead (mm)	8	
Lead Angle	9.89°	
P.C.D (mm)	14.6	
RD (mm)	11.324	
Steel Ball (mm)	Ø3.175	
Circuits	2.5x1	
Dynamic Load C (kgf)	448	710
Static Load Co (kgf)	608	1215
Axial Play (mm)	0	0.005 MAX
Drag Torque (kgf-cm)	0.15-0.79	0.24 MAX
Spacer Ball	1 : 1	-



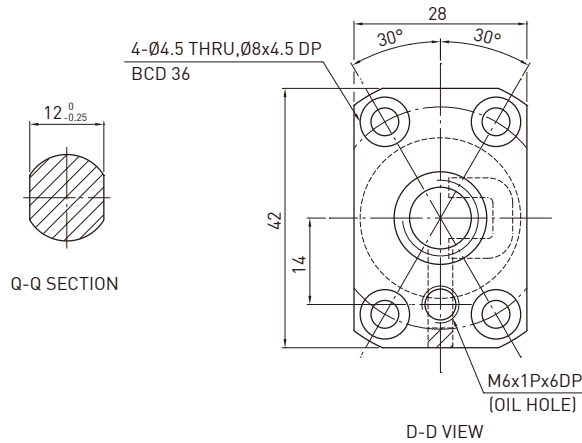
Unit : mm

Stroke	HIWIN Code	L1	L2	L3	Accuracy grade
100	R14-8B1-FSW-189-271-0.008	189	204	271	C3
150	R14-8B1-FSW-239-321-0.008	239	254	321	C3
200	R14-8B1-FSW-289-371-0.008	289	304	371	C3
250	R14-8B1-FSW-339-421-0.008	339	354	421	C3
300	R14-8B1-FSW-389-471-0.008	389	404	471	C3
350	R14-8B1-FSW-439-521-0.008	439	454	521	C3
400	R14-8B1-FSW-489-571-0.008	489	504	571	C3
450	R14-8B1-FSW-539-621-0.008	539	554	621	C3
500	R14-8B1-FSW-589-671-0.008	589	604	671	C3
550	R14-8B1-FSW-639-721-0.008	639	654	721	C3
600	R14-8B1-FSW-689-771-0.008	689	704	771	C3
700	R14-8B1-FSW-789-871-0.008	789	804	871	C3

**FSB Type** (SHAFT OD 10, LEAD 10) ◀ Miniature



Ball screw Data	
Direction	Right Hand
Lead (mm)	10
Lead Angle	16.71°
P.C.D (mm)	10.6
RD (mm)	7.324
Steel Ball (mm)	Ø3.175
Circuits	1.5x1
Dynamic Load C (kgf)	223      354
Static Load Co (kgf)	245      489
Axial Play (mm)	0      0.005 MAX
Drag Torque (kgf-cm)	0.1-0.5      -
Spacer Ball	1 : 1      -

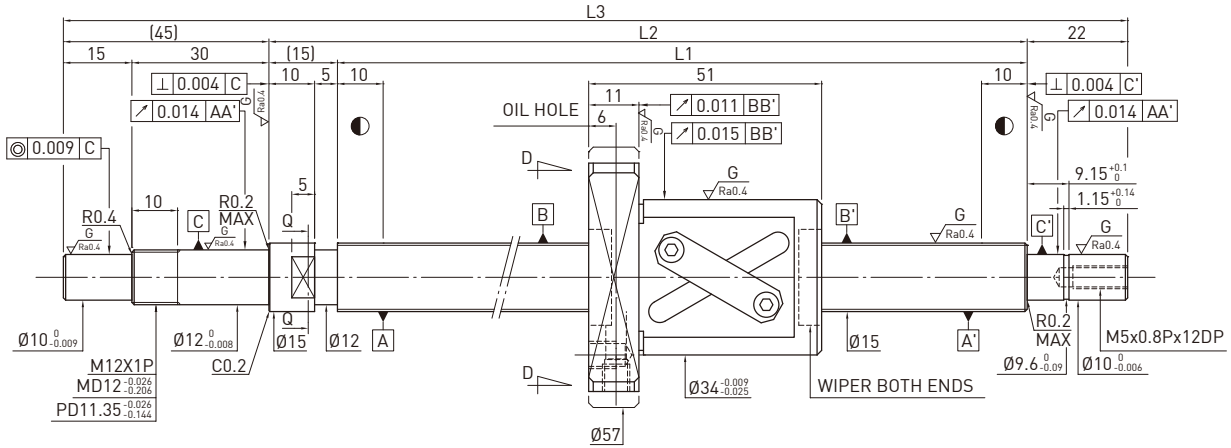


Unit : mm

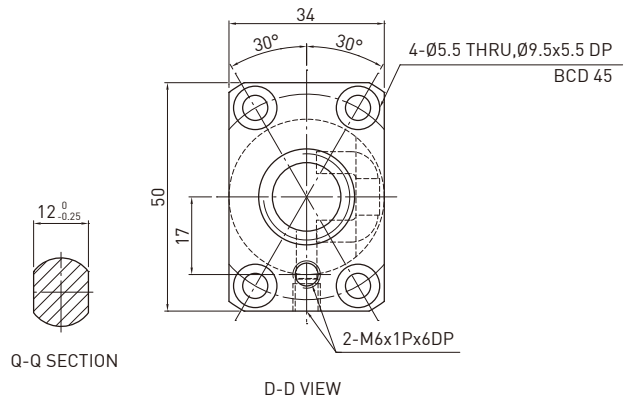
Stroke	HIWIN Code	L1	L2	L3	Accuracy grade
100	R10-10A1-FSB-167-240-0.008	167	185	240	C3
150	R10-10A1-FSB-217-290-0.008	217	235	290	C3
200	R10-10A1-FSB-267-340-0.008	267	285	340	C3
250	R10-10A1-FSB-317-390-0.008	317	335	390	C3
300	R10-10A1-FSB-367-440-0.008	367	385	440	C3

## 6.4 End Machining Ground Ballscrew Series

### FSW Type (SHAFT OD 15, LEAD 10) ◀ Standard



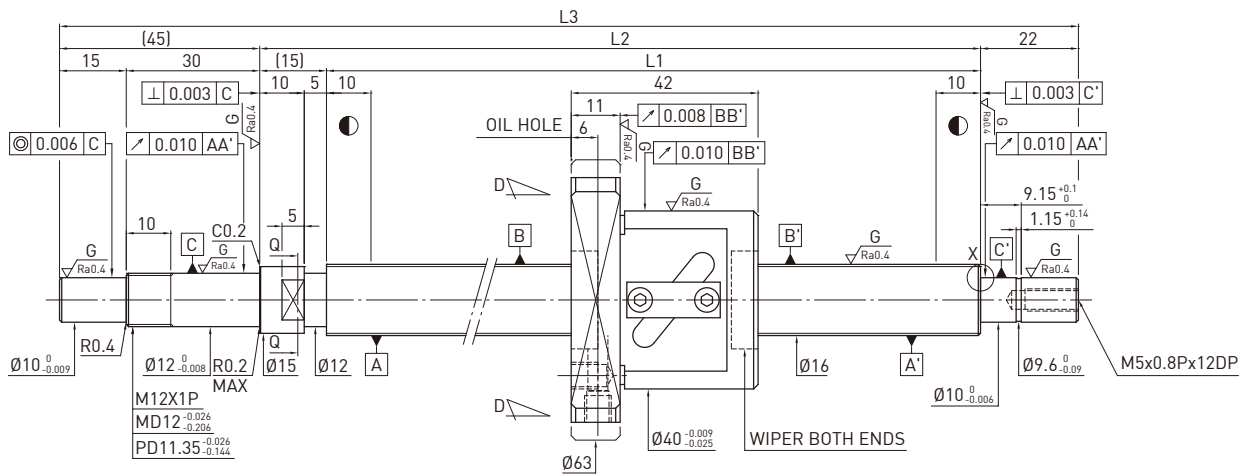
Ballscrew Data	
Direction	Right Hand
Lead (mm)	10
Lead Angle	11.53°
P.C.D (mm)	15.6
RD (mm)	12.324
Steel Ball (mm)	$\varnothing 3.175$
Circuits	2.5x1
Dynamic Load C (kgf)	460      729
Static Load Co (kgf)	645      1290
Axial Play (mm)	0      0.005 MAX
Drag Torque (kgf-cm)	0.15-0.79      0.24 MAX
Spacer Ball	1 : 1      -



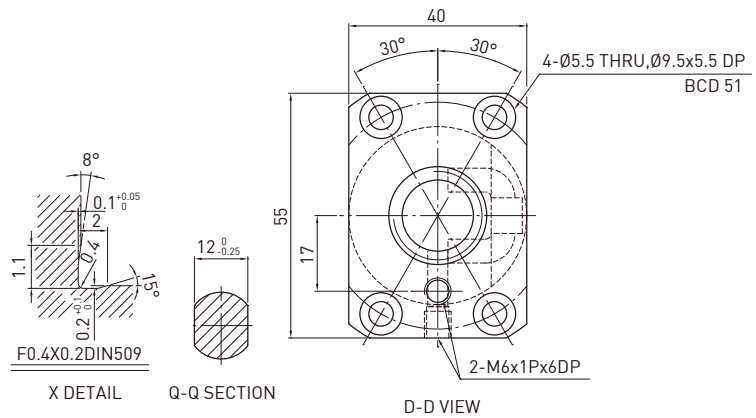
Unit : mm

Stroke	HIWIN Code	L1	L2	L3	Accuracy grade
100	R15-10B1-FSW-189-271-0.018	189	204	271	C5
150	R15-10B1-FSW-239-321-0.018	239	254	321	C5
200	R15-10B1-FSW-289-371-0.018	289	304	371	C5
250	R15-10B1-FSW-339-421-0.018	339	354	421	C5
300	R15-10B1-FSW-389-471-0.018	389	404	471	C5
350	R15-10B1-FSW-439-521-0.018	439	454	521	C5
400	R15-10B1-FSW-489-571-0.018	489	504	571	C5
450	R15-10B1-FSW-539-621-0.018	539	554	621	C5
500	R15-10B1-FSW-589-671-0.018	589	604	671	C5
550	R15-10B1-FSW-639-721-0.018	639	654	721	C5
600	R15-10B1-FSW-689-771-0.018	689	704	771	C5
700	R15-10B1-FSW-789-871-0.018	789	804	871	C5
800	R15-10B1-FSW-889-971-0.018	889	904	971	C5
1000	R15-10B1-FSW-1089-1171-0.018	1089	1104	1171	C5

**FSW Type** (SHAFT OD 16, LEAD 5) ◀ Standard



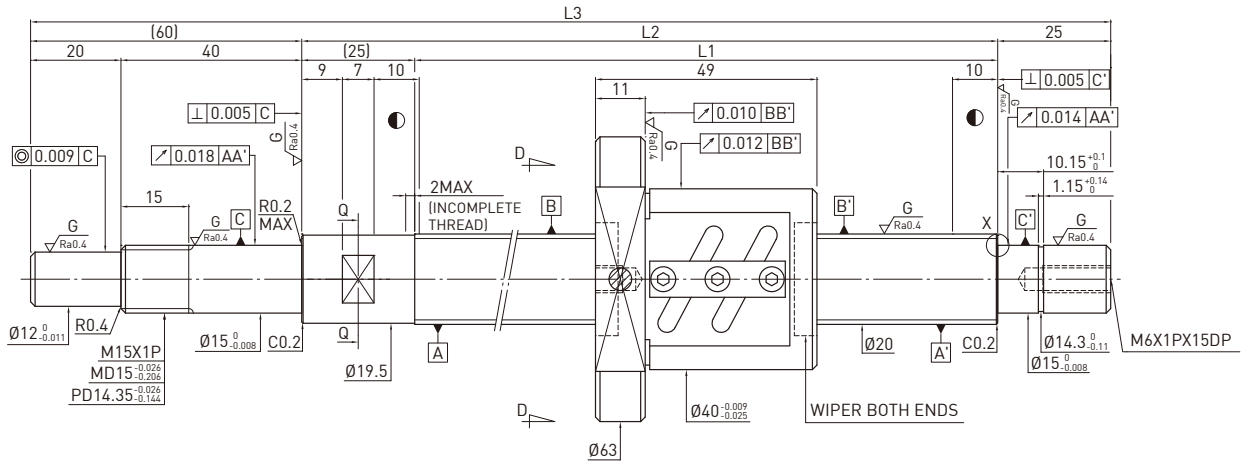
Ball screw Data	
Direction	Right Hand
Lead (mm)	5
Lead Angle	5.48°
P.C.D (mm)	16.6
RD (mm)	13.324
Steel Ball (mm)	Ø3.175
Circuits	2.5x1
Dynamic Load C (kgf)	481      763
Static Load Co (kgf)	700      1399
Axial Play (mm)	0      0.005 MAX
Drag Torque (kgf-cm)	0.15~0.8      0.2 MAX
Spacer Ball	1 : 1      -



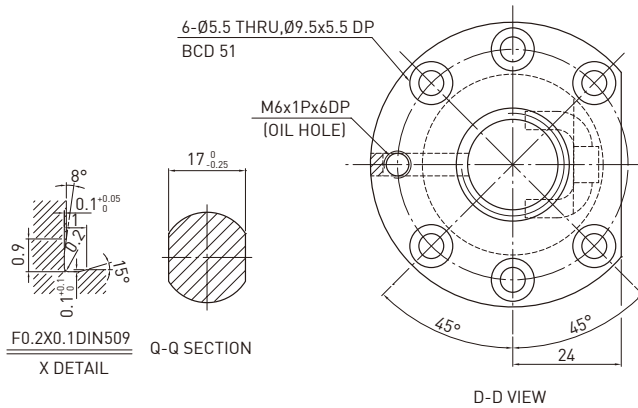
Unit : mm

Stroke	HIWIN Code	L1	L2	L3	Accuracy grade
100	R16-5B1-FSW-189-271-0.018	189	204	271	C5
200	R16-5B1-FSW-289-371-0.018	289	304	371	C5
300	R16-5B1-FSW-389-471-0.018	389	404	471	C5
400	R16-5B1-FSW-489-571-0.018	489	504	571	C5
600	R16-5B1-FSW-689-771-0.018	689	704	771	C5
800	R16-5B1-FSW-889-971-0.018	889	904	971	C5

**FSW Type** (SHAFT OD 20, LEAD 4) ◀ Standard



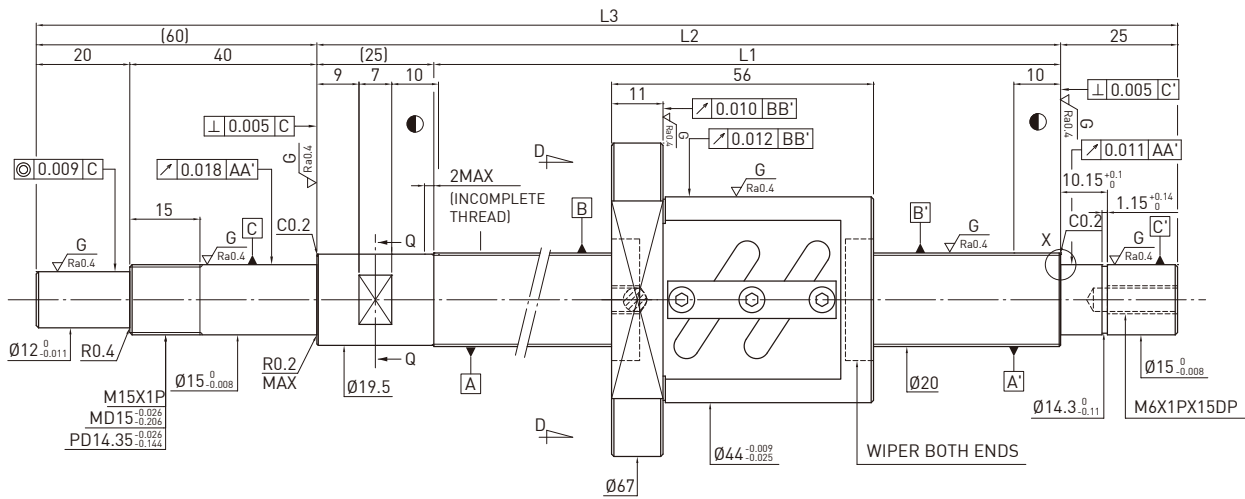
Ballscrew Data	
Direction	Right Hand
Lead (mm)	4
Lead Angle	3.6°
P.C.D (mm)	20.25
RD (mm)	17.792
Steel Ball (mm)	Ø2.381
Circuits	2.5x2
Dynamic Load C (kgf)	561
Static Load Co (kgf)	1085
Axial Play (mm)	0
Drag Torque (kgf-cm)	0.12-0.68
Spacer Ball	1 : 1



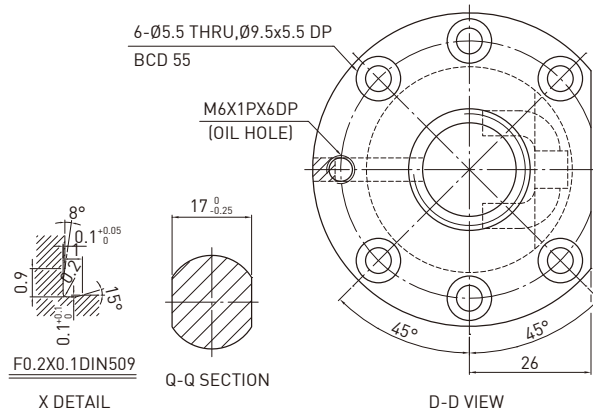
Unit : mm

Stroke	HIWIN Code	L1	L2	L3	Accuracy grade
150	R20-4B2-FSW-225-335-0.018	225	250	335	C5
200	R20-4B2-FSW-275-385-0.018	275	300	385	C5
300	R20-4B2-FSW-375-485-0.018	375	400	485	C5
400	R20-4B2-FSW-475-585-0.018	475	500	585	C5
500	R20-4B2-FSW-575-685-0.018	575	600	685	C5
600	R20-4B2-FSW-675-785-0.018	675	700	785	C5

**FSW Type** (SHAFT OD 20, LEAD 5) ◀ Standard



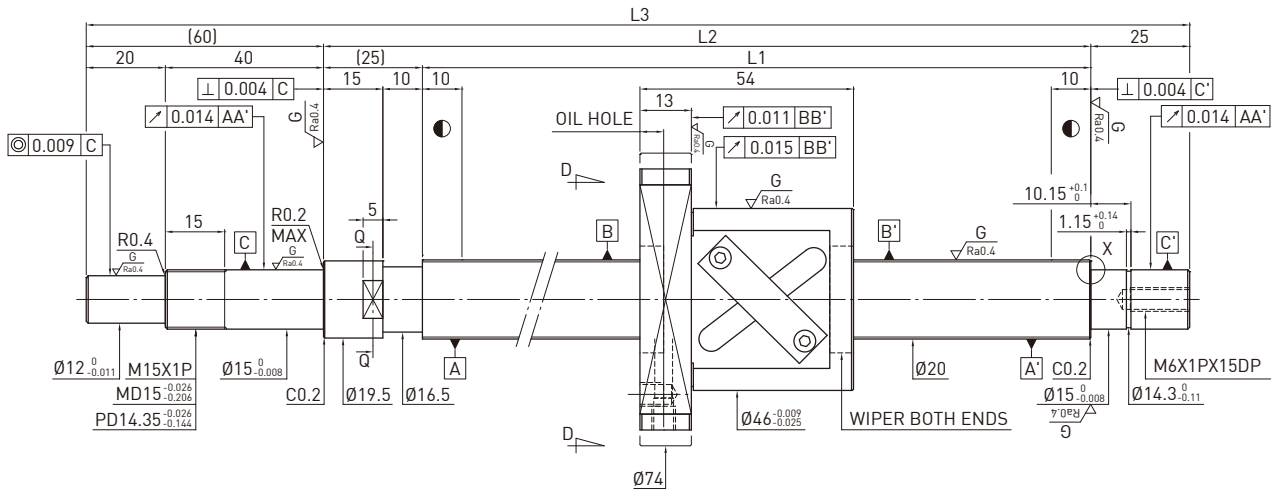
Ballscrew Data	
Direction	Right Hand
Lead (mm)	5
Lead Angle	4.42°
P.C.D (mm)	20.6
RD (mm)	17.324
Steel Ball (mm)	Ø3.175
Circuits	2.5x2
Dynamic Load C (kgf)	952
Static Load Co (kgf)	1732
Axial Play (mm)	0
Drag Torque (kgf-cm)	0.28-1.32
Spacer Ball	1 : 1



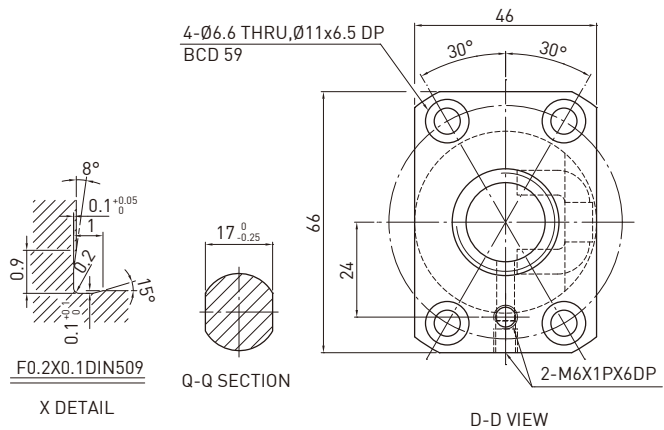
Unit : mm

Stroke	HIWIN Code	L1	L2	L3	Accuracy grade
150	R20-5B2-FSW-225-335-0.018	225	250	335	C5
200	R20-5B2-FSW-275-385-0.018	275	300	385	C5
300	R20-5B2-FSW-375-485-0.018	375	400	485	C5
400	R20-5B2-FSW-475-585-0.018	475	500	585	C5
500	R20-5B2-FSW-575-685-0.018	575	600	685	C5
700	R20-5B2-FSW-775-885-0.018	775	800	885	C5

**FSW Type** (SHAFT OD 20, LEAD 10) ◀ Standard



Ballscrew Data	
Direction	Right Hand
Lead (mm)	10
Lead Angle	8.7°
P.C.D (mm)	20.8
RD (mm)	16.744
Steel Ball (mm)	Ø3.969
Circuits	2.5x1
Dynamic Load C (kgf)	718      1139
Static Load Co (kgf)	1094      2187
Axial Play (mm)	0      0.005 MAX
Drag Torque (kgf-cm)	0.2~1.2      0.3 MAX
Spacer Ball	1 : 1      -

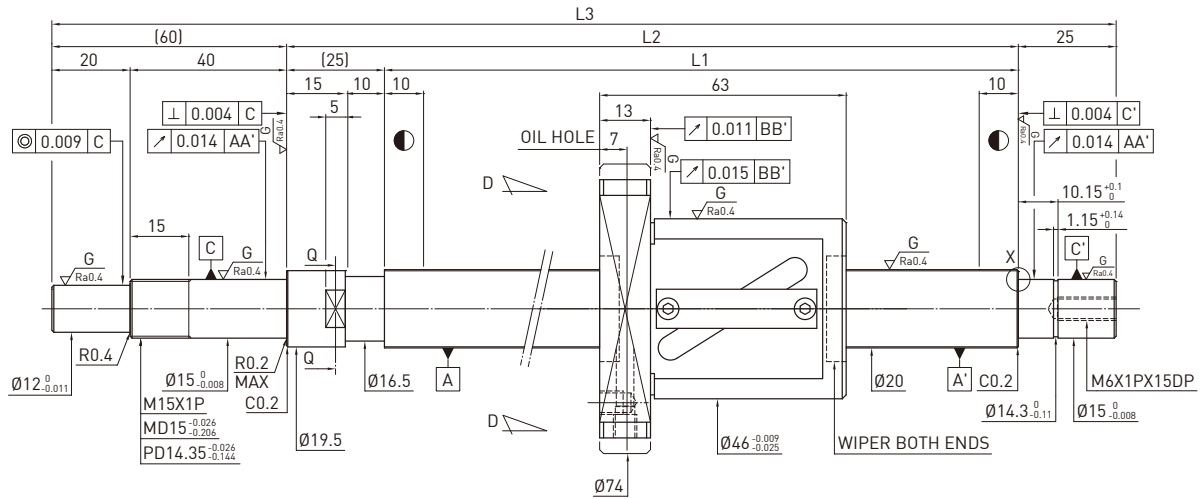


Unit : mm

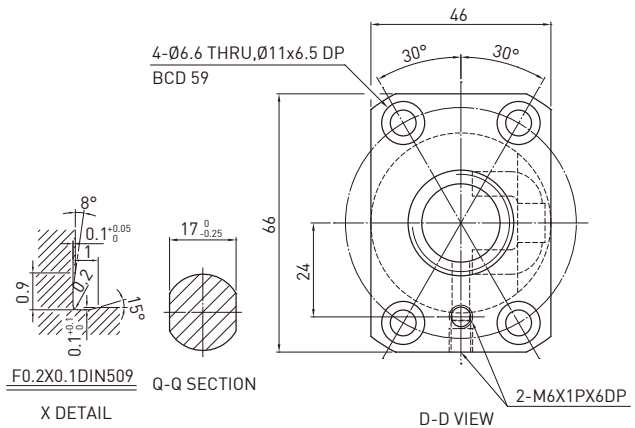
Stroke	HIWIN Code	L1	L2	L3	Accuracy grade
200	R20-10B1-FSW-289-399-0.018	289	314	399	C5
300	R20-10B1-FSW-389-499-0.018	389	414	499	C5
400	R20-10B1-FSW-489-599-0.018	489	514	599	C5
500	R20-10B1-FSW-589-699-0.018	589	614	699	C5
600	R20-10B1-FSW-689-799-0.018	689	714	799	C5
700	R20-10B1-FSW-789-899-0.018	789	814	899	C5
800	R20-10B1-FSW-889-999-0.018	889	914	999	C5
900	R20-10B1-FSW-989-1099-0.018	989	1014	1099	C5
1000	R20-10B1-FSW-1089-1199-0.018	1089	1114	1199	C5
1100	R20-10B1-FSW-1189-1299-0.018	1189	1214	1299	C5
1400	R20-10B1-FSW-1289-1399-0.018	1289	1314	1399	C5



**FSW Type** (SHAFT OD 20, LEAD 20) ◀ Standard



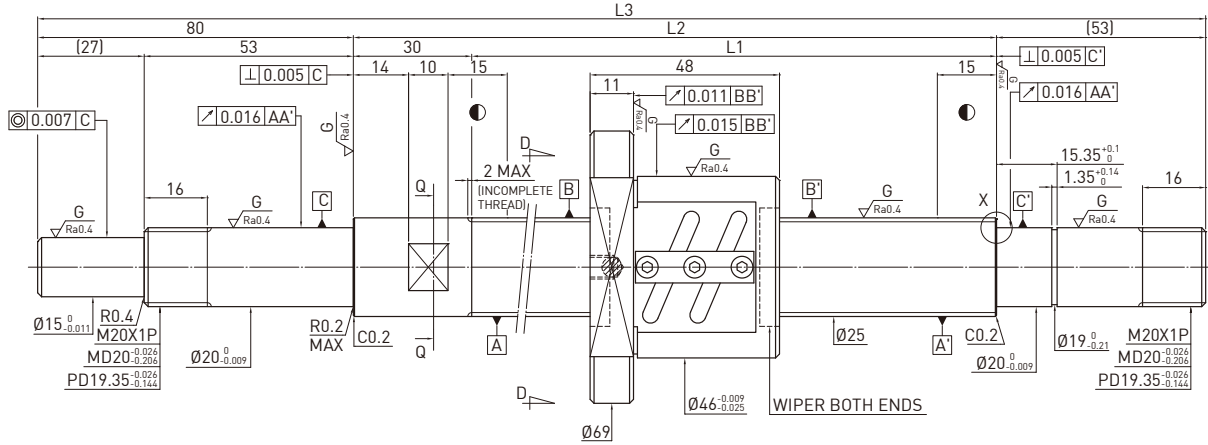
Ball screw Data	
Direction	Right Hand
Lead (mm)	20
Lead Angle	17.01°
P.C.D (mm)	20.8
RD (mm)	16.744
Steel Ball (mm)	Ø3.969
Circuits	1.5x1
Dynamic Load C (kgf)	453      719
Static Load Co (kgf)	641      1280
Axial Play (mm)	0      0.005 MAX
Drag Torque (kgf-cm)	0.2~1.2      0.3 MAX
Spacer Ball	1 : 1      -



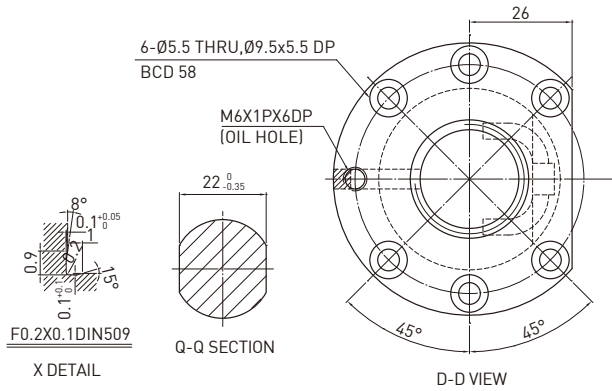
Unit : mm

Stroke	HIWIN Code	L1	L2	L3	Accuracy grade
200	R20-20A1-FSW-310-420-0.018	310	335	420	C5
300	R20-20A1-FSW-410-520-0.018	410	435	520	C5
400	R20-20A1-FSW-510-620-0.018	510	535	620	C5
500	R20-20A1-FSW-610-720-0.018	610	635	720	C5
600	R20-20A1-FSW-710-820-0.018	710	735	820	C5
700	R20-20A1-FSW-810-920-0.018	810	835	920	C5
800	R20-20A1-FSW-910-1020-0.018	910	935	1020	C5
900	R20-20A1-FSW-1010-1120-0.018	1010	1035	1120	C5
1000	R20-20A1-FSW-1110-1220-0.018	1110	1135	1220	C5
1100	R20-20A1-FSW-1210-1320-0.018	1210	1235	1320	C5
1400	R20-20A1-FSW-1510-1620-0.018	1510	1535	1620	C5

**FSW Type** (SHAFT OD 25, LEAD 4) ◀ Standard



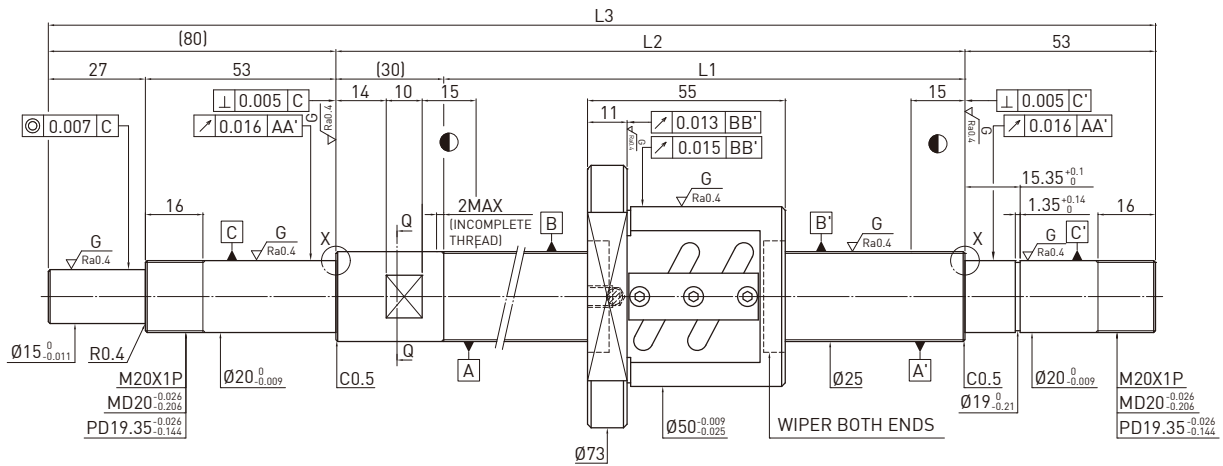
Ballscrew Data	
Direction	Right Hand
Lead (mm)	4
Lead Angle	2.89°
P.C.D (mm)	25.25
RD (mm)	22.792
Steel Ball (mm)	Ø2.381
Circuits	2.5x2
Dynamic Load C (kgf)	988
Static Load Co (kgf)	2752
Axial Play (mm)	0
Drag Torque (kgf-cm)	0.15-0.85
Spacer Ball	1 : 1



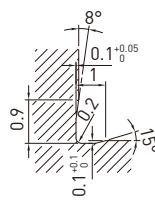
Unit : mm

Stroke	HIWIN Code	L1	L2	L3	Accuracy grade
150	R25-4B2-FSW-220-383-0.018	220	250	383	5
200	R25-4B2-FSW-270-433-0.018	270	300	433	5
300	R25-4B2-FSW-370-533-0.018	370	400	533	5
400	R25-4B2-FSW-470-633-0.018	470	500	633	5
500	R25-4B2-FSW-570-733-0.018	570	600	733	5
700	R25-4B2-FSW-770-933-0.018	770	800	933	5

**FSW Type** (SHAFT OD 25, LEAD 5) ◀ Standard

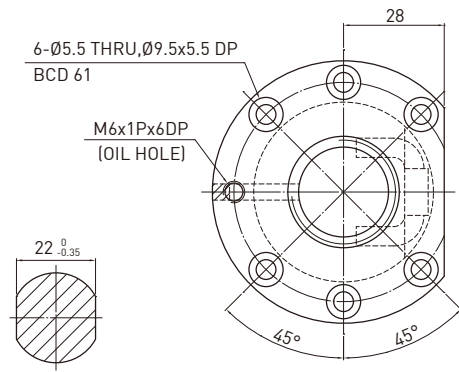


Ballscrew Data	
Direction	Right Hand
Lead (mm)	5
Lead Angle	3.56°
P.C.D (mm)	25.6
RD (mm)	22.324
Steel Ball (mm)	Ø3.175
Circuits	2.5x2
Dynamic Load C (kgf)	1073
Static Load Co (kgf)	2209
Axial Play (mm)	0
Drag Torque (kgf-cm)	0.36-1.44
Spacer Ball	1 : 1



F0.2X0.1DIN509

X DETAIL



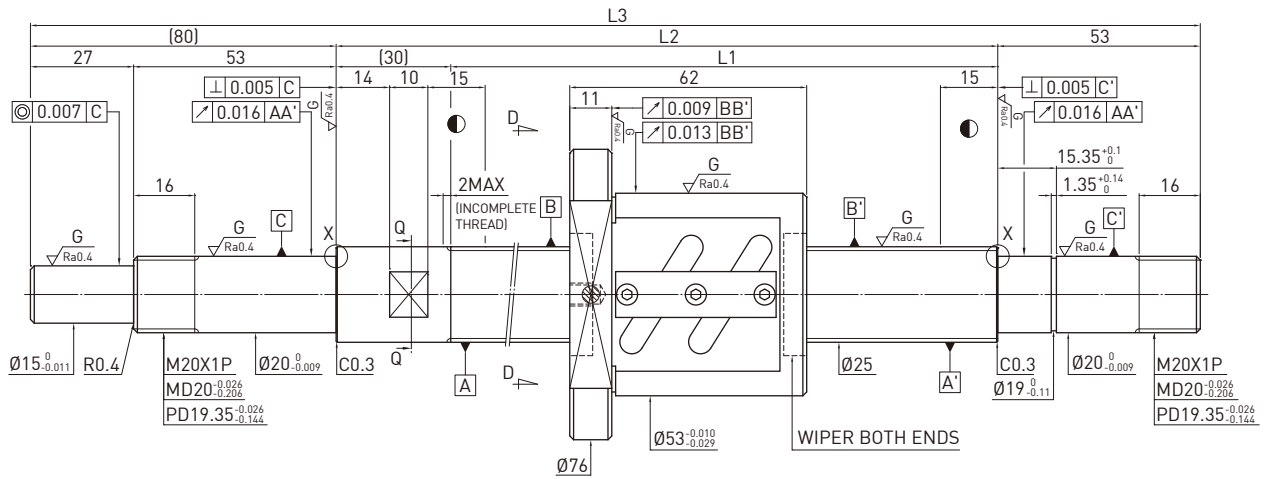
Q-Q SECTION

D-D VIEW

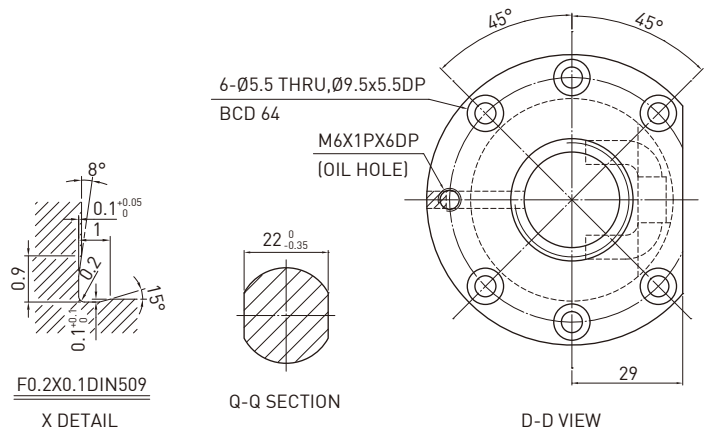
Unit : mm

Stroke	HIWIN Code	L1	L2	L3	Accuracy grade
150	R25-5B2-FSW-220-383-0.018	220	250	383	C5
200	R25-5B2-FSW-270-433-0.018	270	300	433	C5
300	R25-5B2-FSW-370-533-0.018	370	400	533	C5
400	R25-5B2-FSW-470-633-0.018	470	500	633	C5
500	R25-5B2-FSW-570-733-0.018	570	600	733	C5
600	R25-5B2-FSW-670-833-0.018	670	700	833	C5
700	R25-5B2-FSW-770-933-0.018	770	800	933	C5
900	R25-5B2-FSW-970-1133-0.018	970	1000	1133	C5
1000	R25-5B2-FSW-1170-1333-0.018	1170	1200	1333	C5

**FSW Type** (SHAFT OD 25, LEAD 6) ◀ Standard



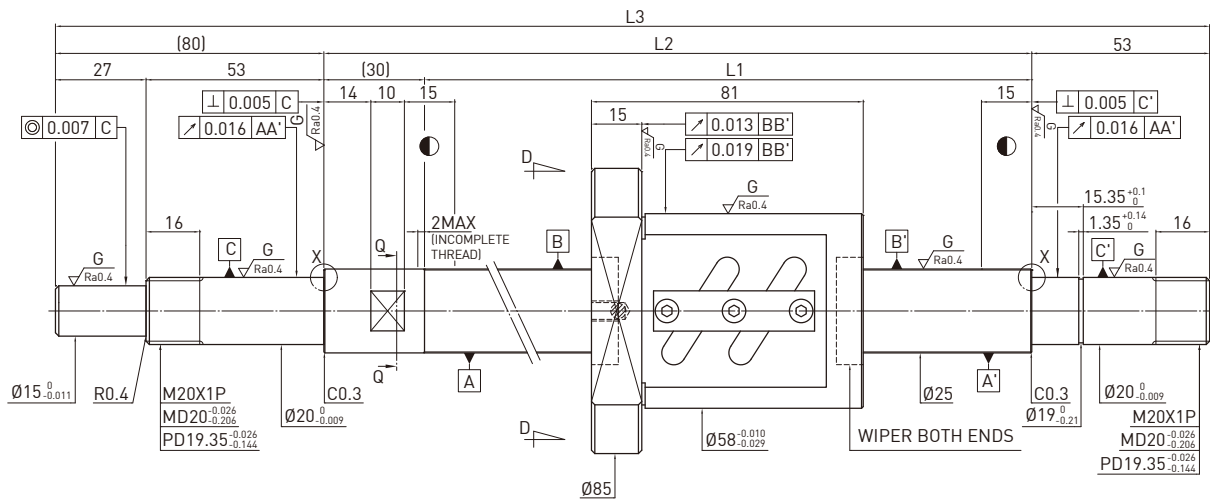
Ball screw Data	
Direction	Right Hand
Lead (mm)	6
Lead Angle	4.23°
P.C.D (mm)	25.8
RD (mm)	21.744
Steel Ball (mm)	Ø3.969
Circuits	2.5x2
Dynamic Load C (kgf)	1453
Static Load Co (kgf)	2761
Axial Play (mm)	0
Drag Torque (kgf-cm)	0.42~2.4
Spacer Ball	1 : 1



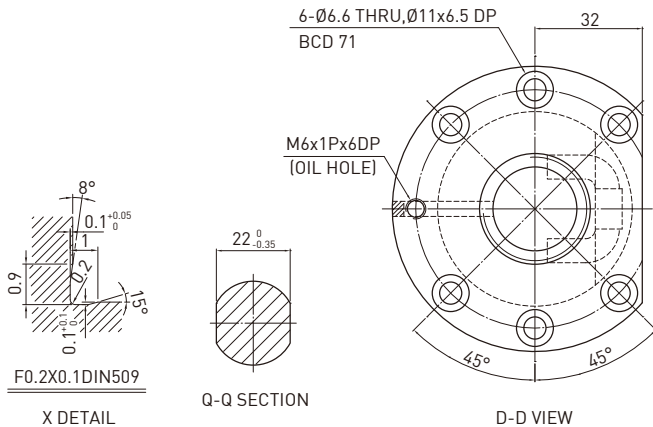
Unit : mm

Stroke	HIWIN Code	L1	L2	L3	Accuracy grade
250	R25-6B2-FSW-370-533-0.018	370	400	533	C5
450	R25-6B2-FSW-570-733-0.018	570	600	733	C5
650	R25-6B2-FSW-770-933-0.018	770	800	933	C5
1050	R25-6B2-FSW-1170-1333-0.018	1170	1200	1333	C5

**FSW Type** (SHAFT OD 25, LEAD 10) ◀ Standard



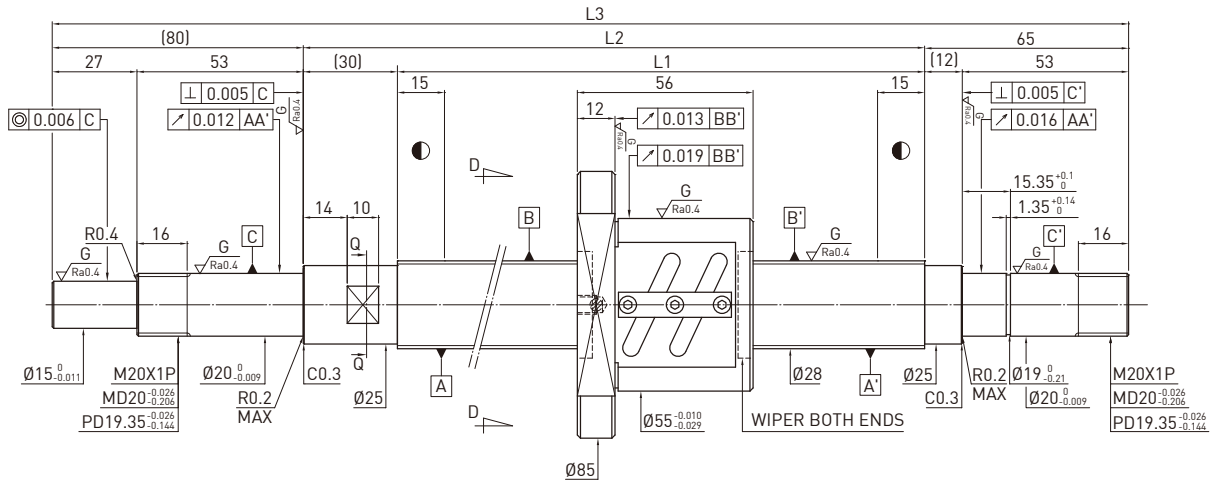
Ballscrew Data	
Direction	Right Hand
Lead (mm)	10
Lead Angle	10.98°
P.C.D (mm)	26
RD (mm)	21.132
Steel Ball (mm)	Ø4.763
Circuits	1.5x2
Dynamic Load C (kgf)	1164
Static Load Co (kgf)	1927
Axial Play (mm)	0
Drag Torque (kgf-cm)	0.42~2.4
Spacer Ball	1 : 1



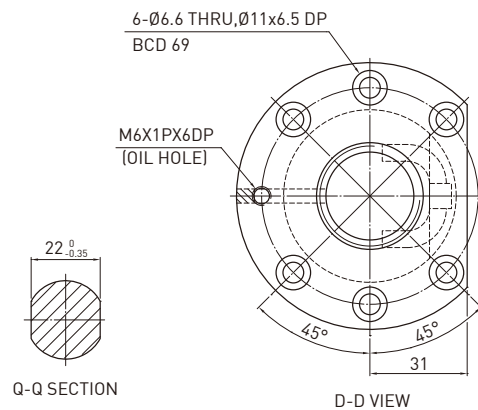
Unit : mm

Stroke	HIWIN Code	L1	L2	L3	Accuracy grade
250	R25-10A2-FSW-370-533-0.018	370	400	533	C5
450	R25-10A2-FSW-570-733-0.018	570	600	733	C5
650	R25-10A2-FSW-770-933-0.018	770	800	933	C5
850	R25-10A2-FSW-970-1133-0.018	970	1000	1133	C5
1050	R25-10A2-FSW-1170-1333-0.018	1170	1200	1333	C5
1350	R25-10A2-FSW-1470-1633-0.018	1470	1500	1633	C5

**FSW Type** (SHAFT OD 28, LEAD 5) ◀ Standard



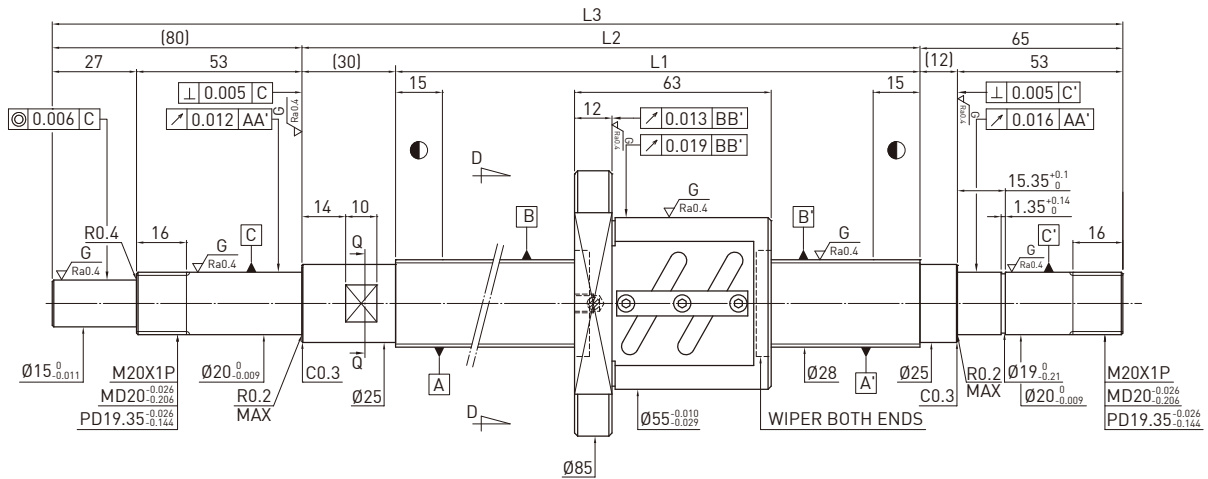
Ballscrew Data	
Direction	Right Hand
Lead (mm)	5
Lead Angle	3.19°
P.C.D (mm)	28.6
RD (mm)	25.324
Steel Ball (mm)	Ø3.175
Circuits	2.5x2
Dynamic Load C (kgf)	1124
Static Load Co (kgf)	2466
Axial Play (mm)	0
Drag Torque (kgf-cm)	0.3-1.7
Spacer Ball	1 : 1



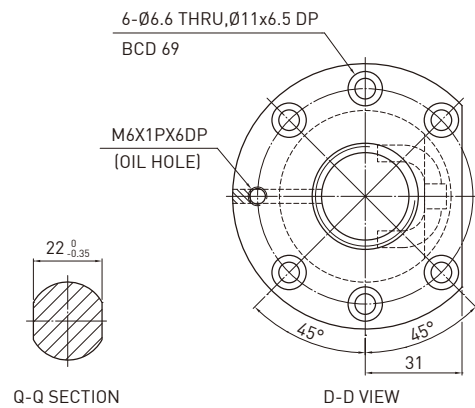
Unit : mm

Stroke	HIWIN Code	L1	L2	L3	Accuracy grade
200	R28-5B2-FSW-270-445-0.018	270	300	445	C5
300	R28-5B2-FSW-370-545-0.018	370	400	545	C5
400	R28-5B2-FSW-470-645-0.018	470	500	645	C5
450	R28-5B2-FSW-558-733-0.018	558	588	733	C5
650	R28-5B2-FSW-758-933-0.018	758	788	933	C5
850	R28-5B2-FSW-958-1133-0.018	958	988	1133	C5
1050	R28-5B2-FSW-1158-1333-0.018	1158	1188	1333	C5

**FSW Type** (SHAFT OD 28, LEAD 6) ◀ Standard



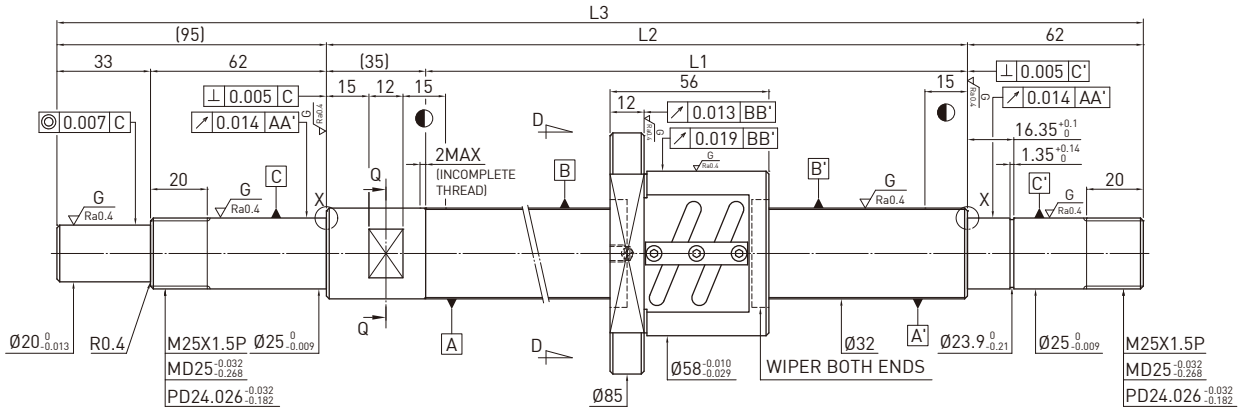
Ballscrew Data	
Direction	Right Hand
Lead (mm)	6
Lead Angle	3.82°
P.C.D (mm)	28.6
RD (mm)	25.324
Steel Ball (mm)	Ø3.175
Circuits	2.5x2
Dynamic Load C (kgf)	1124
Static Load Co (kgf)	2466
Axial Play (mm)	0
Drag Torque (kgf-cm)	0.36~2.04
Spacer Ball	1 : 1



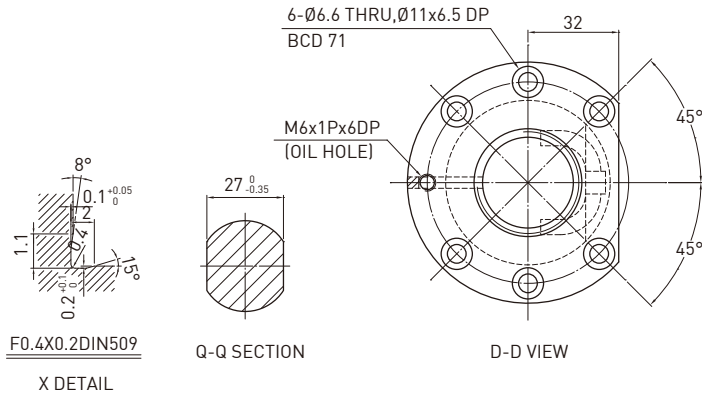
Unit : mm

Stroke	HIWIN Code	L1	L2	L3	Accuracy grade
250	R28-6B2-FSW-370-545-0.018	370	400	545	C5
450	R28-6B2-FSW-570-745-0.018	570	600	745	C5
650	R28-6B2-FSW-758-933-0.018	758	788	933	C5
850	R28-6B2-FSW-958-1133-0.018	958	988	1133	C5
1050	R28-6B2-FSW-1158-1333-0.018	1158	1188	1333	C5

**FSW Type (SHAFT OD 32, LEAD 5) ◀ Standard**



Ballscrew Data	
Direction	Right Hand
Lead (mm)	5
Lead Angle	2.79°
P.C.D (mm)	32.6
RD (mm)	29.324
Steel Ball (mm)	$\varnothing 3.175$
Circuits	2.5x2
Dynamic Load C (kgf)	1188
Static Load Co (kgf)	2833
Axial Play (mm)	0
Drag Torque (kgf-cm)	0.48-1.92
Spacer Ball	1 : 1

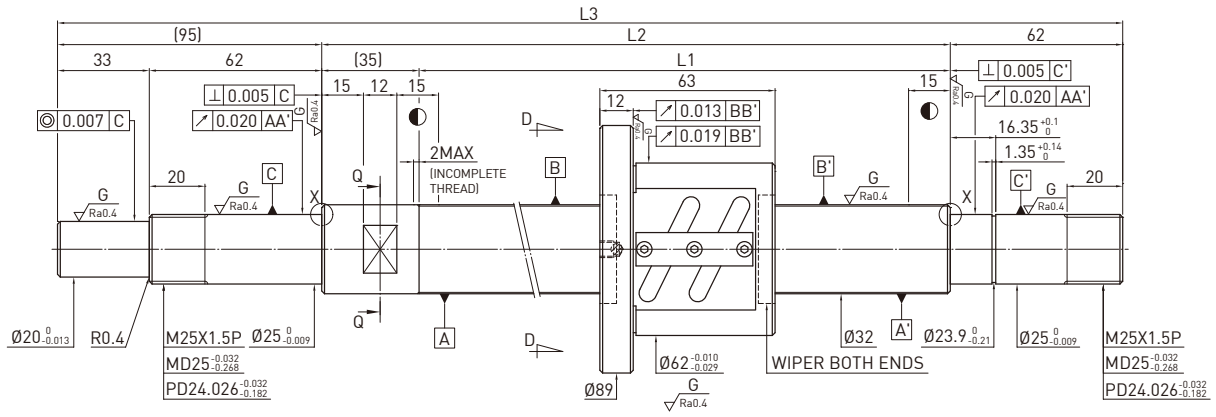


Unit : mm

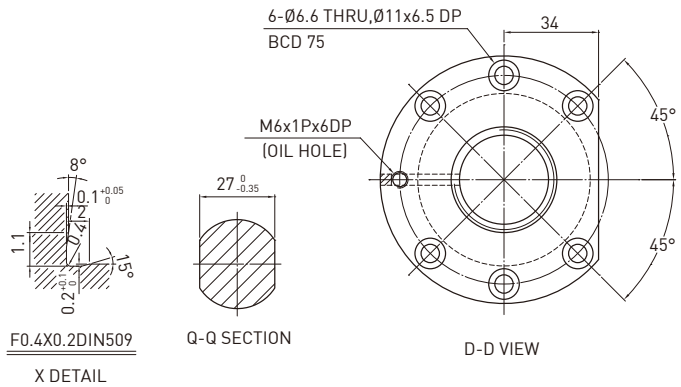
Stroke	HIWIN Code	L1	L2	L3	Accuracy grade
150	R32-5B2-FSW-265-457-0.018	265	300	457	C5
250	R32-5B2-FSW-365-557-0.018	365	400	557	C5
350	R32-5B2-FSW-465-657-0.018	465	500	657	C5
450	R32-5B2-FSW-565-757-0.018	565	600	757	C5
550	R32-5B2-FSW-665-857-0.018	665	700	857	C5
650	R32-5B2-FSW-765-957-0.018	765	800	957	C5
850	R32-5B2-FSW-965-1157-0.018	965	1000	1157	C5
1050	R32-5B2-FSW-1165-1357-0.018	1165	1200	1357	C5
1350	R32-5B2-FSW-1465-1657-0.018	1465	1500	1657	C5



**FSW Type** (SHAFT OD 32, LEAD 6) ◀ Standard



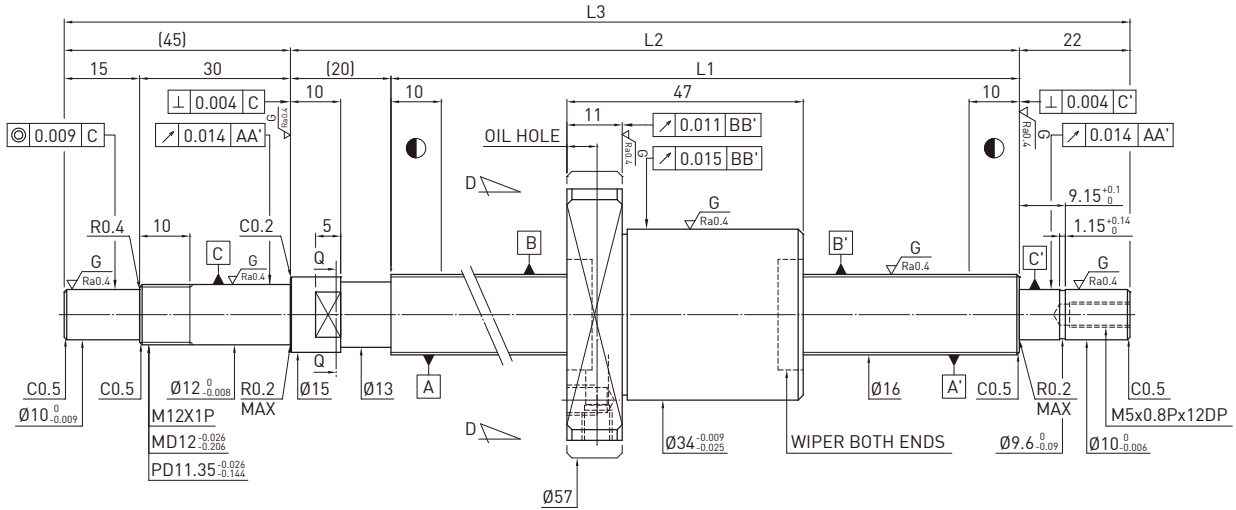
Ballscrew Data	
Direction	Right Hand
Lead (mm)	6
Lead Angle	3.33°
P.C.D (mm)	32.8
RD (mm)	28.744
Steel Ball (mm)	Ø3.969
Circuits	2.5x2
Dynamic Load C (kgf)	1610
Static Load Co (kgf)	3510
Axial Play (mm)	0
Drag Torque (kgf-cm)	0.48-2.72
Spacer Ball	1 : 1



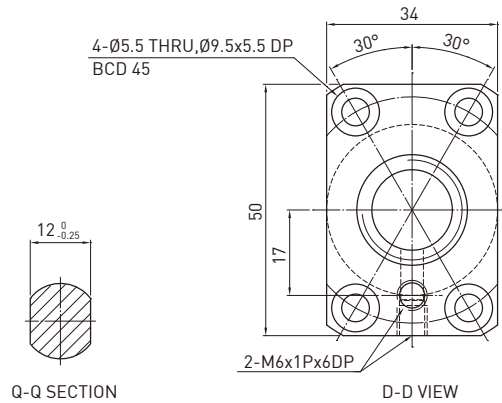
Unit : mm

Stroke	HIWIN Code	L1	L2	L3	Accuracy grade
250	R32-6B2-FSW-365-557-0.018	365	400	557	C5
450	R32-6B2-FSW-565-757-0.018	565	600	757	C5
650	R32-6B2-FSW-765-957-0.018	765	800	957	C5
850	R32-6B2-FSW-965-1157-0.018	965	1000	1157	C5
1050	R32-6B2-FSW-1165-1357-0.018	1165	1200	1357	C5
1350	R32-6B2-FSW-1465-1657-0.018	1465	1500	1657	C5

**FSC Type** (SHAFT OD 16, LEAD 16) ◀ Standard



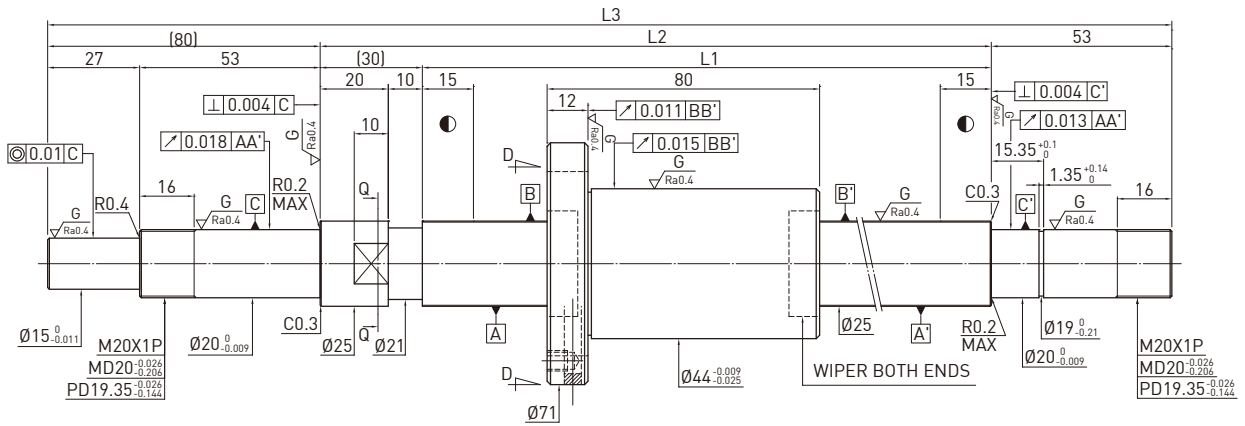
Ballscrew Data	
Direction	Right Hand
Lead (mm)	16
Lead Angle	17.06°
P.C.D (mm)	16.6
RD (mm)	13.324
Steel Ball (mm)	Ø3.175
Circuits	2
Dynamic Load C (kgf)	420      680
Static Load Co (kgf)	690      1385
Axial Play (mm)	0      0.005 MAX
Drag Torque (kgf-cm)	0.15-0.79      0.24 MAX
Spacer Ball	1 : 1      -



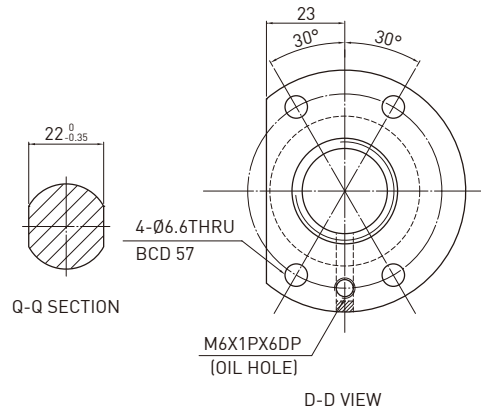
Unit : mm

Stroke	HIWIN Code	L1	L2	L3	Accuracy grade
100	R16-16K2-FSC-184- 271-0.018	184	204	271	C5
150	R16-16K2-FSC-234- 321-0.018	234	254	321	C5
200	R16-16K2-FSC-284- 371-0.018	284	304	371	C5
250	R16-16K2-FSC-334- 421-0.018	334	354	421	C5
300	R16-16K2-FSC-384- 471-0.018	384	404	471	C5
350	R16-16K2-FSC-434- 521-0.018	434	454	521	C5
400	R16-16K2-FSC-484- 571-0.018	484	504	571	C5
450	R16-16K2-FSC-534- 621-0.018	534	554	621	C5
500	R16-16K2-FSC-584- 671-0.018	584	604	671	C5
550	R16-16K2-FSC-634- 721-0.018	634	654	721	C5
600	R16-16K2-FSC- 684-771-0.018	684	704	771	C5
700	R16-16K2-FSC- 784-871-0.018	784	804	871	C5
800	R16-16K2-FSC- 884-971-0.018	884	904	971	C5
1000	R16-16K2-FSC- 1084-1171-0.018	1084	1104	1171	C5

**FSC Type** (SHAFT OD 25, LEAD 20) ◀ Standard



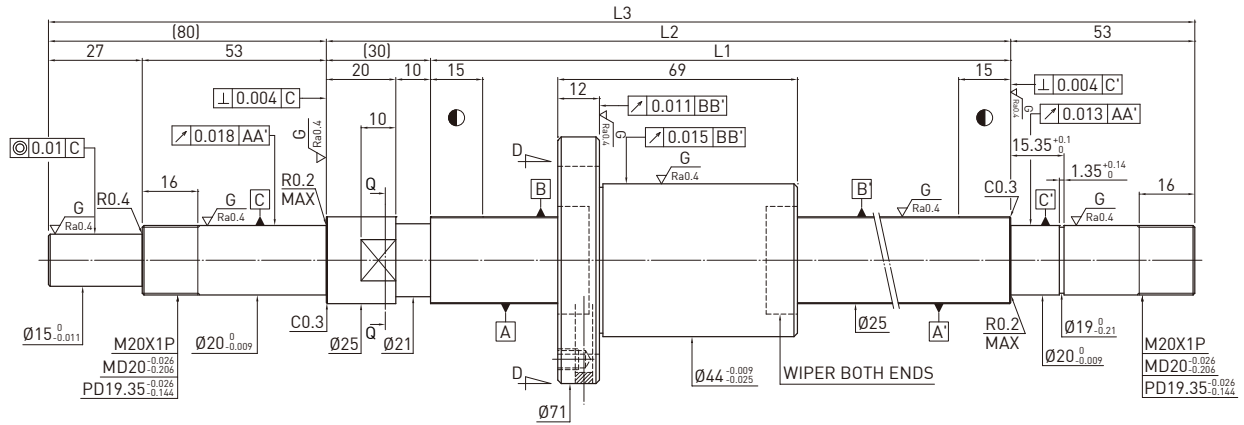
Ballscrew Data		
Direction	Right Hand	
Lead (mm)	20	
Lead Angle	13.97°	
P.C.D (mm)	25.6	
RD (mm)	22.324	
Steel Ball (mm)	Ø3.175	
Circuits	3	
Dynamic Load C (kgf)	790	1260
Static Load Co (kgf)	1715	3430
Axial Play (mm)	0	0.005 MAX
Drag Torque (kgf-cm)	0.4~2.5	0.5 MAX
Spacer Ball	1 : 1	-



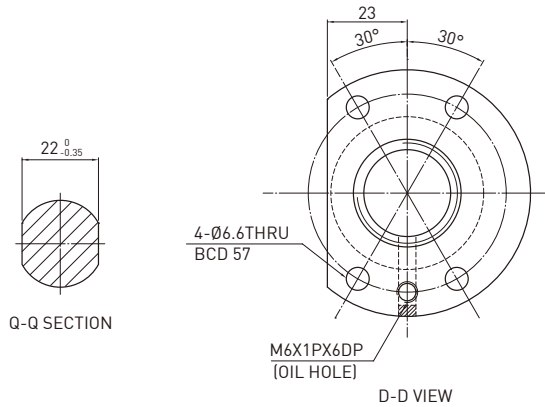
Unit : mm

Stroke	HIWIN Code	L1	L2	L3	Accuracy grade
600	R25-20K3-FSC- 750- 913-0.018	750	780	913	C5
800	R25-20K3-FSC- 950- 1113-0.018	950	980	1113	C5
1000	R25-20K3-FSC- 1150- 1313-0.018	1150	1180	1313	C5
1200	R25-20K3-FSC- 1350- 1513-0.018	1350	1380	1513	C5
1400	R25-20K3-FSC- 1550- 1713-0.018	1550	1580	1713	C5
1600	R25-20K3-FSC- 1750- 1913-0.018	1750	1780	1913	C5
2000	R25-20K3-FSC- 2150- 2313-0.018	2150	2180	2313	C5

**FSC Type** (SHAFT OD 25, LEAD 25) ◀ Standard



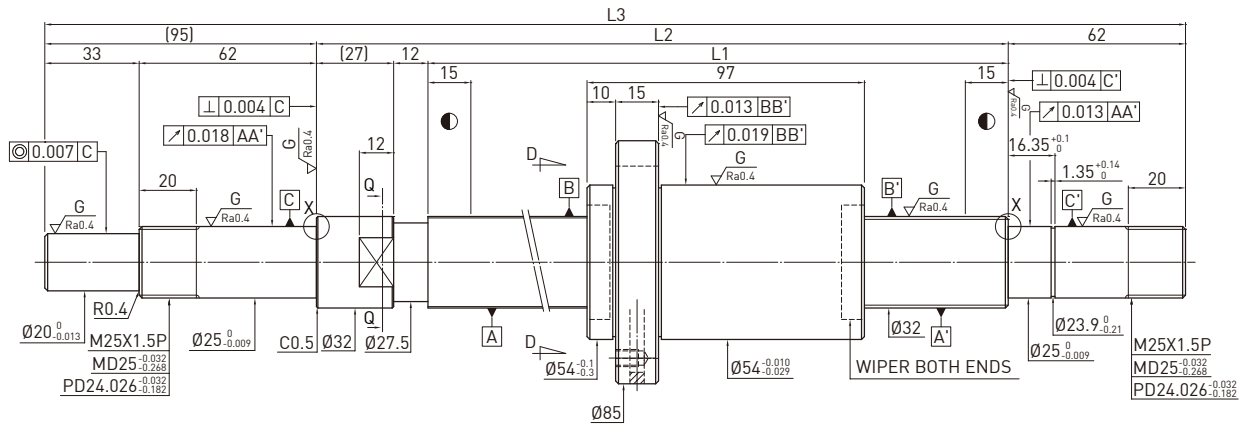
Ballscrew Data		
Direction	Right Hand	
Lead (mm)	25	
Lead Angle	17.27°	
P.C.D (mm)	25.6	
RD (mm)	22.324	
Steel Ball (mm)	Ø3.175	
Circuits	2	
Dynamic Load C (kgf)	520	840
Static Load Co (kgf)	1085	2170
Axial Play (mm)	0	0.005 MAX
Drag Torque (kgf-cm)	0.4~2.5	0.5 MAX
Spacer Ball	1 : 1	-



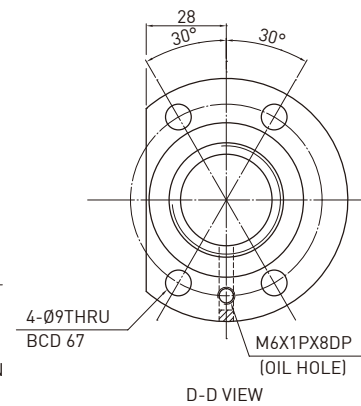
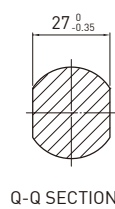
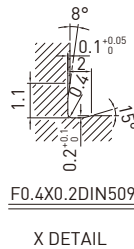
Unit : mm

Stroke	HIWIN Code	L1	L2	L3	Accuracy grade
600	R25-25K2-FSC-750-913-0.018	750	780	913	C5
800	R25-25K2-FSC-950-1113-0.018	950	980	1113	C5
1000	R25-25K2-FSC-1150-1313-0.018	1150	1180	1313	C5
1200	R25-25K2-FSC-1350-1513-0.018	1350	1380	1513	C5
1400	R25-25K2-FSC-1550-1713-0.018	1550	1580	1713	C5
1600	R25-25K2-FSC-1750-1913-0.018	1750	1780	1913	C5
2000	R25-25K2-FSC-2150-2313-0.018	2150	2180	2313	C5

**FSC Type** (SHAFT OD 32, LEAD 25) ◀ Standard



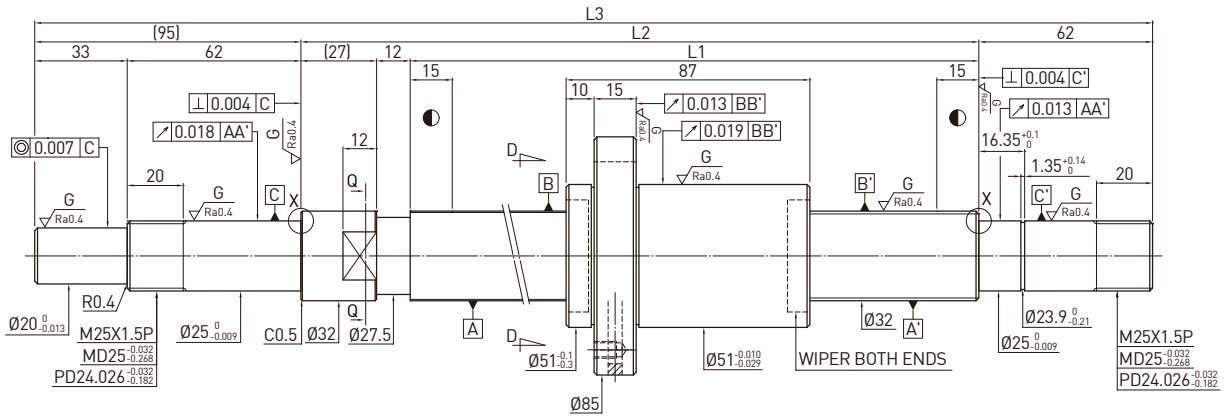
Ballscrew Data		
Direction	Right Hand	
Lead (mm)	25	
Lead Angle	13.56°	
P.C.D (mm)	33	
RD (mm)	28.132	
Steel Ball (mm)	Ø4.763	
Circuits	3	
Dynamic Load C (kgf)	1980	3150
Static Load Co (kgf)	4410	8820
Axial Play (mm)	0	0.005MAX
Drag Torque (kgf-cm)	0.69~3.21	0.8MAX
Spacer Ball	1 : 1	-



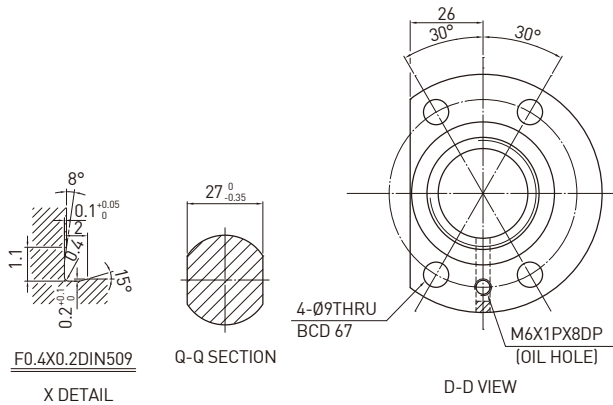
Unit : mm

Stroke	HIWIN Code	L1	L2	L3	Accuracy grade
1000	R32-25K3-FSC-1180-1376-0.018	1180	1219	1376	C5
1500	R32-25K3-FSC-1680-1876-0.018	1680	1719	1876	C5
2000	R32-25K3-FSC-2180-2376-0.018	2180	2219	2376	C5
2600	R32-25K3-FSC-2780-2976-0.018	2780	2819	2976	C5

**FSC Type** (SHAFT OD 32, LEAD 32) ◀ Standard



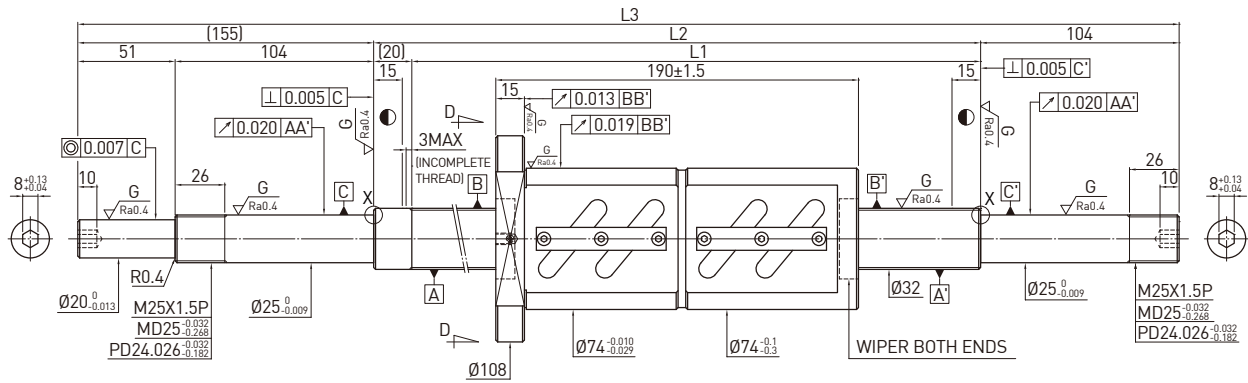
Ballscrew Data		
Direction	Right Hand	
Lead (mm)	32	
Lead Angle	17.25°	
P.C.D (mm)	32.8	
RD (mm)	28.744	
Steel Ball (mm)	Ø3.969	
Circuits	2	
Dynamic Load C (kgf)	800	1280
Static Load Co (kgf)	1765	3530
Axial Play (mm)	0	0.005MAX
Drag Torque (kgf-cm)	0.7~3.21	0.8MAX
Spacer Ball	1 : 1	-



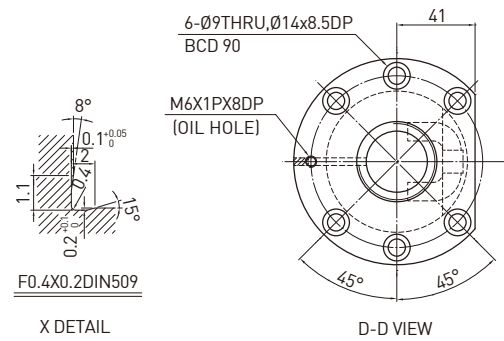
Unit : mm

Stroke	HIWIN Code	L1	L2	L3	Accuracy grade
1000	R32-32K2-FSC-1180-1376-0.018	1180	1219	1376	C5
1500	R32-32K2-FSC-1680-1876-0.018	1680	1719	1876	C5
2000	R32-32K2-FSC-2180-2376-0.018	2180	2219	2376	C5
2600	R32-32K2-FSC-2780-2976-0.018	2780	2819	2976	C5

**FDW Type** (SHAFT OD 32, LEAD 10) ◀ Standard



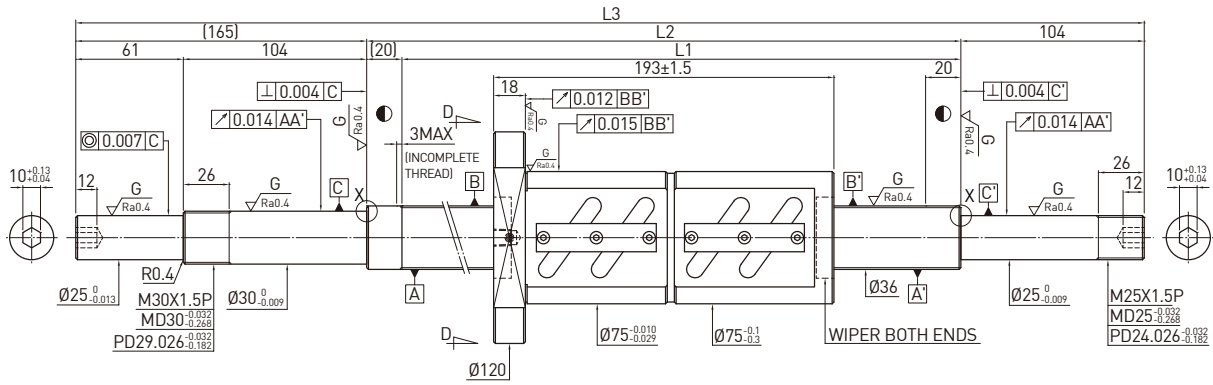
Ball screw Data	
Direction	Right Hand
Lead (mm)	10
Lead Angle	5.44°
P.C.D (mm)	33.4
RD (mm)	26.91
Steel Ball (mm)	Ø6.35
Circuits	2.5x2
Dynamic Load C (kgf)	4810
Static Load Co (kgf)	11199
Axial Play (mm)	0
Drag Torque (kgf-cm)	5.51-11.43
Spacer Ball	-



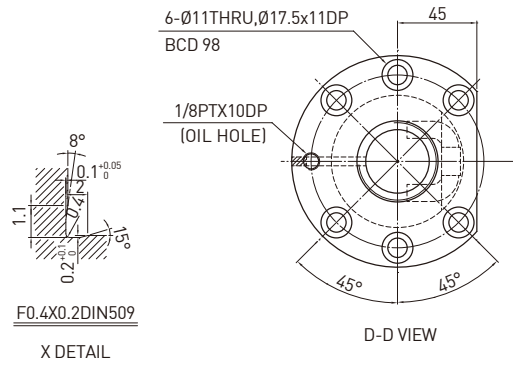
Unit : mm

Stroke	HIWIN Code	L1	L2	L3	Accuracy grade
150	R32-10B2-FDW-380-659-0.018	380	400	659	C5
250	R32-10B2-FDW-480-759-0.018	480	500	759	C5
350	R32-10B2-FDW-580-859-0.018	580	600	859	C5
450	R32-10B2-FDW-680-959-0.018	680	700	959	C5
550	R32-10B2-FDW-780-1059-0.018	780	800	1059	C5
750	R32-10B2-FDW-980-1259-0.018	980	1000	1259	C5
950	R32-10B2-FDW-1180-1459-0.018	1180	1200	1459	C5
1250	R32-10B2-FDW-1480-1759-0.018	1480	1500	1759	C5
1550	R32-10B2-FDW-1780-2059-0.018	1780	1800	2059	C5

**FDW Type** (SHAFT OD 36, LEAD 10) ◀ Standard



Ballscrew Data	
Direction	Right Hand
Lead (mm)	10
Lead Angle	4.86°
P.C.D (mm)	37.4
RD (mm)	30.91
Steel Ball (mm)	Ø6.35
Circuits	2.5x2
Dynamic Load C (kgf)	5105
Static Load Co (kgf)	12668
Axial Play (mm)	0
Drag Torque (kgf-cm)	6.64-12.34
Spacer Ball	-

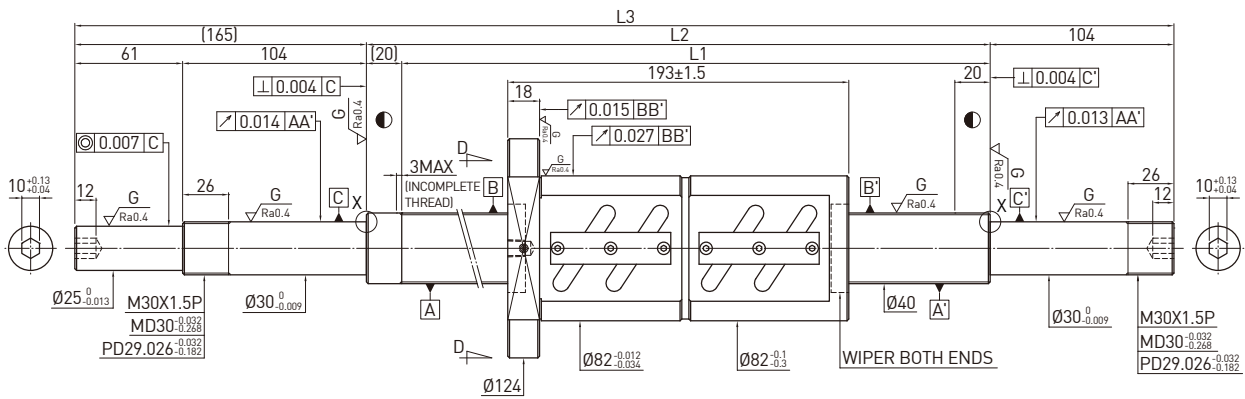


Unit : mm

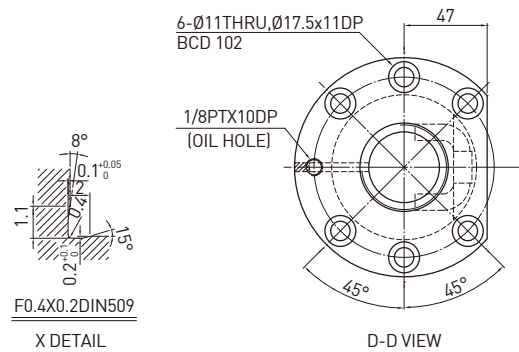
Stroke	HIWIN Code	L1	L2	L3	Accuracy grade
250	R36-10B2-FDW-480-769-0.018	480	500	769	C5
450	R36-10B2-FDW-680-969-0.018	680	700	969	C5
750	R36-10B2-FDW-980-1269-0.018	980	1000	1269	C5
1150	R36-10B2-FDW-1380-1669-0.018	1380	1400	1669	C5
1550	R36-10B2-FDW-1780-2069-0.018	1780	1800	2069	C5



**FDW Type** (SHAFT OD 40, LEAD 10) ◀ Standard



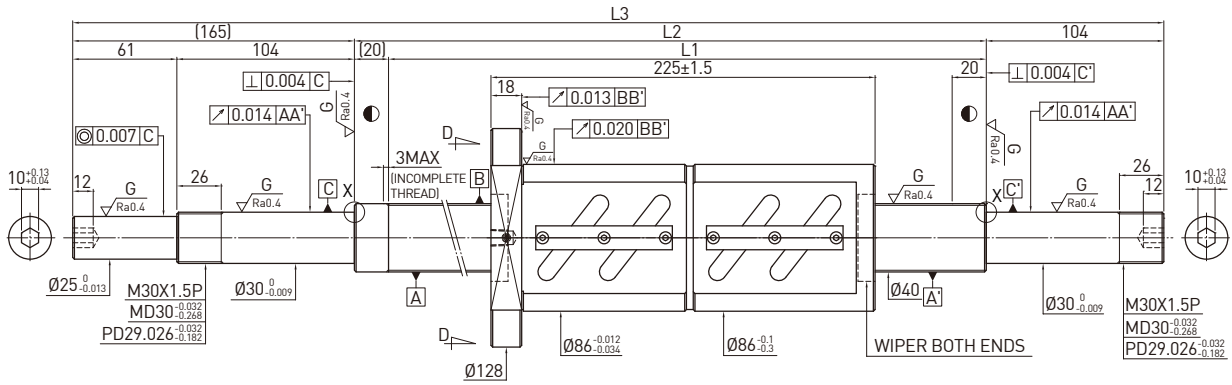
Ballscrew Data	
Direction	Right Hand
Lead (mm)	10
Lead Angle	4.4°
P.C.D (mm)	41.4
RD (mm)	34.91
Steel Ball (mm)	Ø6.35
Circuits	2.5x2
Dynamic Load C (kgf)	5369
Static Load Co (kgf)	14138
Axial Play (mm)	0
Drag Torque (kgf-cm)	8.26-13.78
Spacer Ball	-



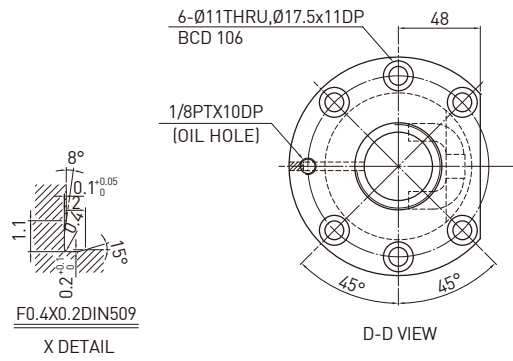
Unit : mm

Stroke	HIWIN Code	L1	L2	L3	Accuracy grade
250	R40-10B2-FDW-480-769-0.018	480	500	769	C5
350	R40-10B2-FDW-580-869-0.018	580	600	869	C5
450	R40-10B2-FDW-680-969-0.018	680	700	969	C5
550	R40-10B2-FDW-780-1069-0.018	780	800	1069	C5
750	R40-10B2-FDW-980-1269-0.018	980	1000	1269	C5
950	R40-10B2-FDW-1180-1469-0.018	1180	1200	1469	C5
1150	R40-10B2-FDW-1380-1669-0.018	1380	1400	1669	C5
1350	R40-10B2-FDW-1580-1869-0.018	1580	1600	1869	C5
1550	R40-10B2-FDW-1780-2069-0.018	1780	1800	2069	C5
2150	R40-10B2-FDW-2380-2669-0.018	2380	2400	2669	C5

**FDW Type** (SHAFT OD 40, LEAD 12) ◀ Standard



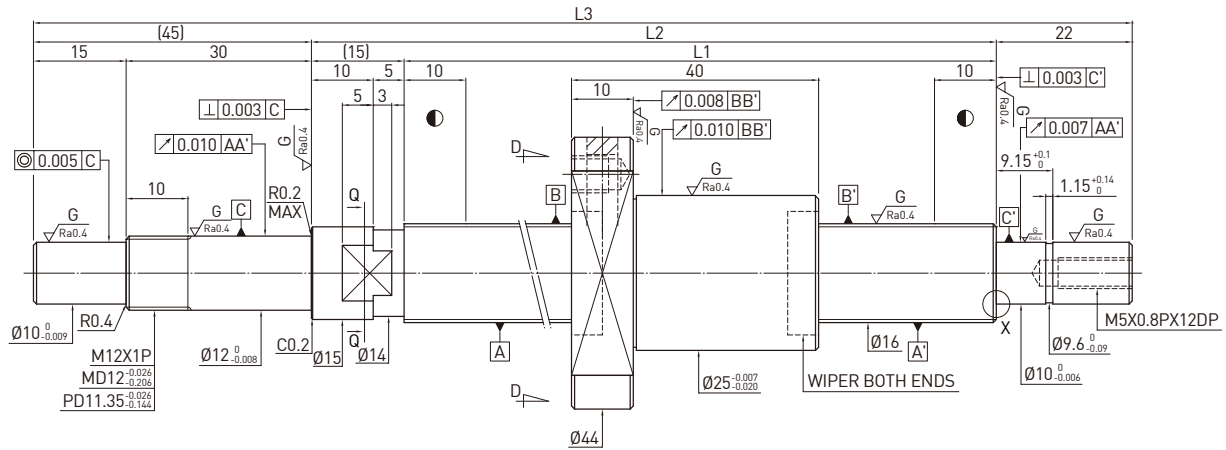
Ball screw Data	
Direction	Right Hand
Lead (mm)	12
Lead Angle	5.25°
P.C.D (mm)	41.6
RD (mm)	34.299
Steel Ball (mm)	$\varnothing 7.144$
Circuits	2.5x2
Dynamic Load C (kgf)	6216
Static Load Co (kgf)	15614
Axial Play (mm)	0
Drag Torque (kgf-cm)	9.79-18.17
Spacer Ball	-



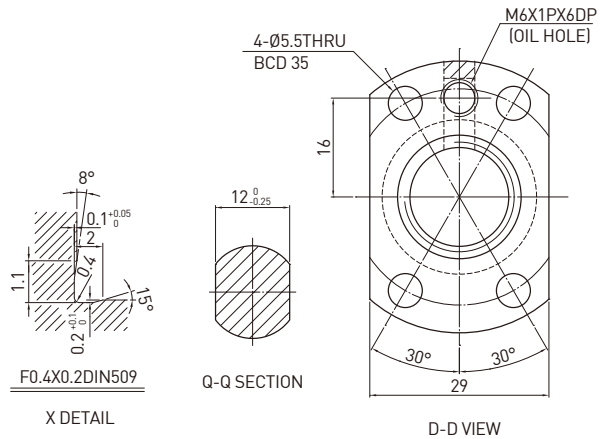
Unit : mm

Stroke	HIWIN Code	L1	L2	L3	Accuracy grade
400	R40-12B2-FDW-680-969-0.018	680	700	969	C5
700	R40-12B2-FDW-980-1269-0.018	980	1000	1269	C5
1100	R40-12B2-FDW-1380-1669-0.018	1380	1400	1669	C5
1500	R40-12B2-FDW-1780-2069-0.018	1780	1800	2069	C5
2200	R40-12B2-FDW-2480-2769-0.018	2480	2500	2769	C5

**FSI Type** (SHAFT OD 16, LEAD 2) ◀ Standard



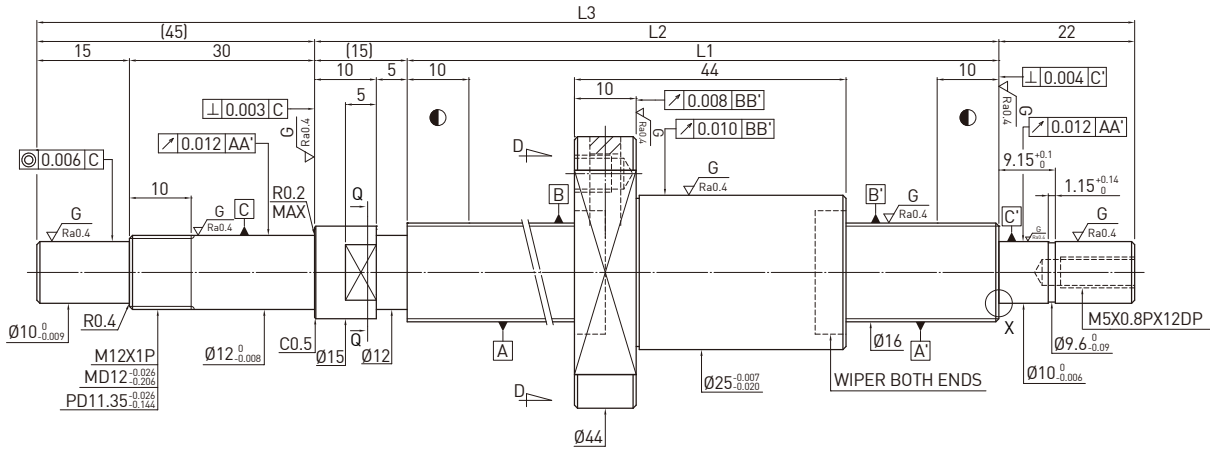
Ballscrew Data	
Direction	Right Hand
Lead (mm)	2
Lead Angle	2.25°
P.C.D (mm)	16.2
RD (mm)	14.652
Steel Ball (mm)	Ø1.5
Circuits	1x4
Dynamic Load C (kgf)	323
Static Load Co (kgf)	790
Axial Play (mm)	0      0.005MAX
Drag Torque (kgf-cm)	0.05~0.5      0.15MAX
Spacer Ball	-      -



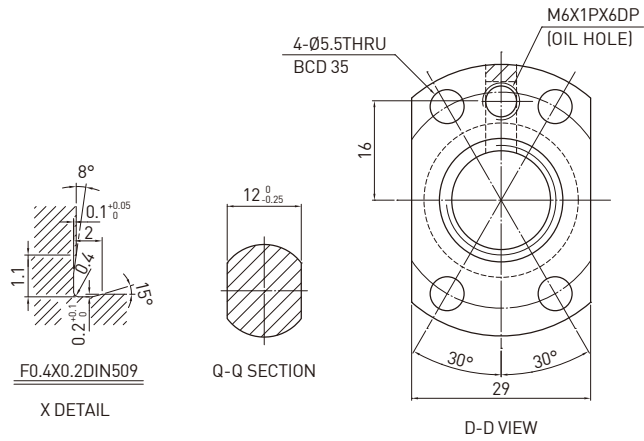
Unit : mm

Stroke	HIWIN Code	L1	L2	L3	Accuracy grade
50	R16-2T4-FSI-139-221-0.008	139	154	221	C3
100	R16-2T4-FSI-189-271-0.008	189	204	271	C3
150	R16-2T4-FSI-239-321-0.008	239	254	321	C3
200	R16-2T4-FSI-289-371-0.008	289	304	371	C3
300	R16-2T4-FSI-389-471-0.008	389	404	471	C3

**FSI Type** (SHAFT OD 16, LEAD 2.5) ◀ Standard



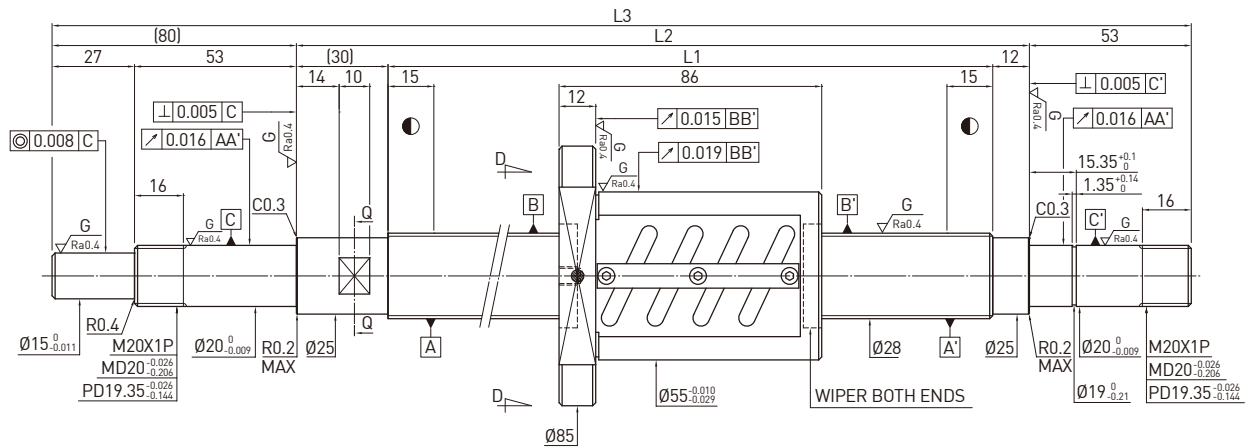
Ballscrew Data	
Direction	Right Hand
Lead (mm)	2.5
Lead Angle	2.81°
P.C.D (mm)	16.2
RD (mm)	14.652
Steel Ball (mm)	Ø1.5
Circuits	1x4
Dynamic Load C (kgf)	323
Static Load Co (kgf)	790
Axial Play (mm)	0      0.005MAX
Drag Torque (kgf-cm)	0.05~0.5      0.15MAX
Spacer Ball	-      -



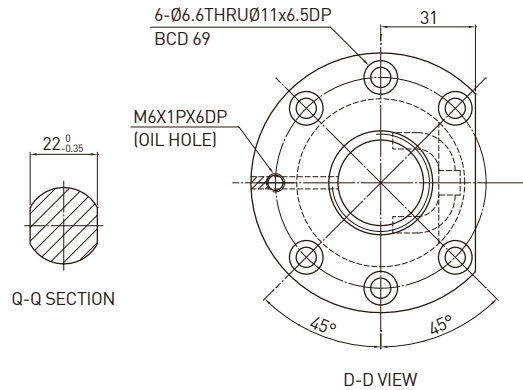
Unit : mm

Stroke	HIWIN Code	L1	L2	L3	Accuracy grade
50	R16-2.5T4-FSI-139-221-0.008	139	154	221	C3
100	R16-2.5T4-FSI-189-271-0.008	189	204	271	C3
150	R16-2.5T4-FSI-239-321-0.008	239	254	321	C3
200	R16-2.5T4-FSI-289-371-0.008	289	304	371	C3
300	R16-2.5T4-FSI-389-471-0.008	389	404	471	C3

**OFSW Type** (SHAFT OD 16, LEAD 2) ◀ Standard



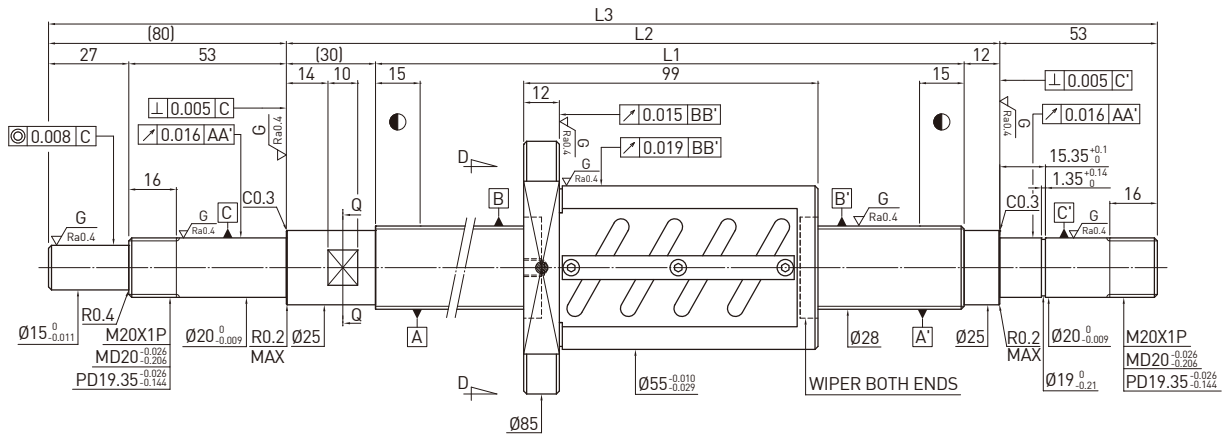
Ball screw Data	
Direction	Right Hand
Lead (mm)	5
Lead Angle	3.19°
P.C.D (mm)	28.6
RD (mm)	25.324
Steel Ball (mm)	Ø3.175
Circuits	2.5x2
Dynamic Load C (kgf)	1784
Static Load Co (kgf)	4932
Axial Play (mm)	0
Drag Torque (kgf-cm)	1.1~3.3
Spacer Ball	-



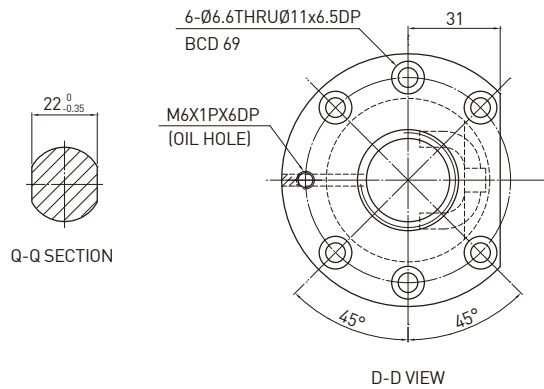
Unit : mm

Stroke	HIWIN Code	L1	L2	L3	Accuracy grade
150	R28-5B2-OFSW-270-445-0.018	270	312	445	C5
250	R28-5B2-OFSW-370-545-0.018	370	412	545	C5
350	R28-5B2-OFSW-470-645-0.018	470	512	645	C5
450	R28-5B2-OFSW-558-733-0.018	558	600	733	C5
650	R28-5B2-OFSW-758-933-0.018	758	800	933	C5
850	R28-5B2-OFSW-958-1133-0.018	958	1000	1133	C5
1050	R28-5B2-OFSW-1158-1333-0.018	1158	1200	1333	C5

**OFSW Type** (SHAFT OD 28, LEAD 6) ◀ Standard



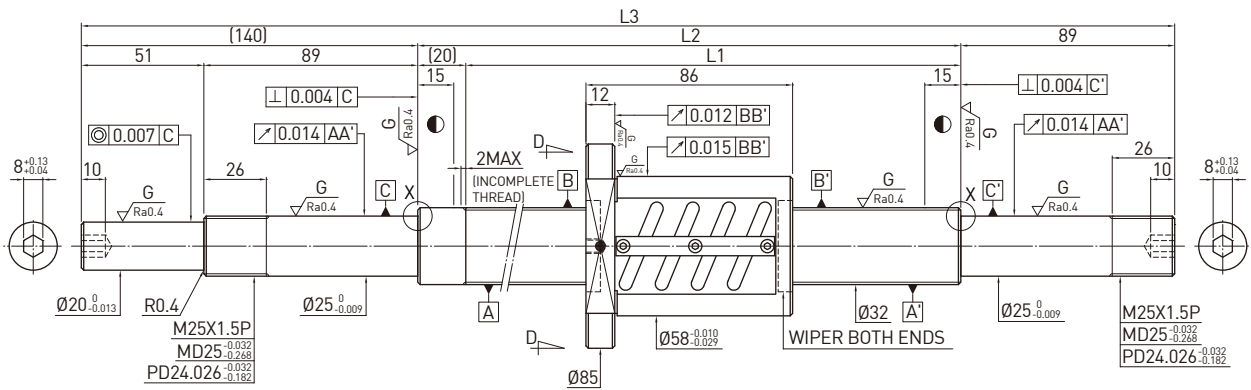
Ball screw Data	
Direction	Right Hand
Lead (mm)	6
Lead Angle	3.82°
P.C.D (mm)	28.6
RD (mm)	25.324
Steel Ball (mm)	Ø3.175
Circuits	2.5x2
Dynamic Load C (kgf)	1784
Static Load Co (kgf)	4932
Axial Play (mm)	0
Drag Torque (kgf-cm)	1.2~3.6
Spacer Ball	-



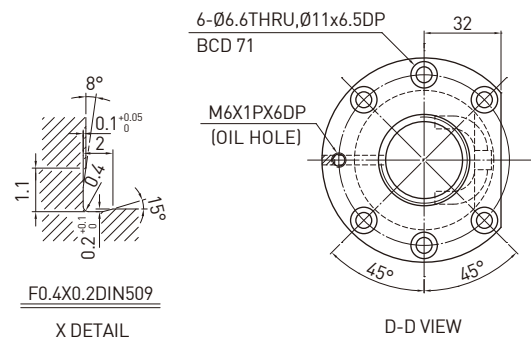
Unit : mm

Stroke	HIWIN Code	L1	L2	L3	Accuracy grade
250	R28-6B2-OFSW-370-545-0.018	370	412	545	C5
450	R28-6B2-OFSW-570-745-0.018	570	612	745	C5
650	R28-6B2-OFSW-758-933-0.018	758	800	933	C5
850	R28-6B2-OFSW-958-1133-0.018	958	1000	1133	C5
1050	R28-6B2-OFSW-1158-1333-0.018	1158	1200	1333	C5

**OFSW Type** (SHAFT OD 32, LEAD 5) ◀ Standard

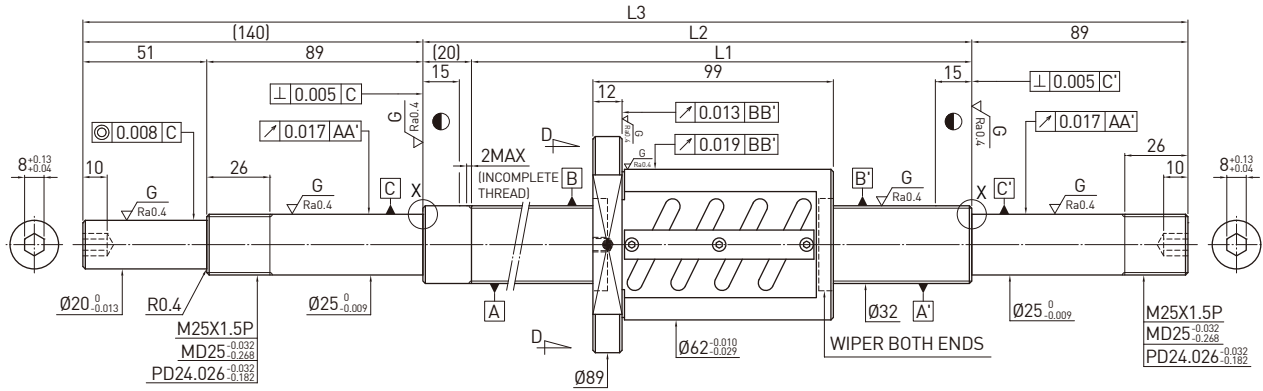


Ball screw Data	
Direction	Right Hand
Lead (mm)	5
Lead Angle	2.79°
P.C.D (mm)	32.6
RD (mm)	29.324
Steel Ball (mm)	Ø3.175
Circuits	2.5x2
Dynamic Load C (kgf)	1886
Static Load Co (kgf)	5666
Axial Play (mm)	0
Drag Torque (kgf-cm)	1.2~3.6
Spacer Ball	-

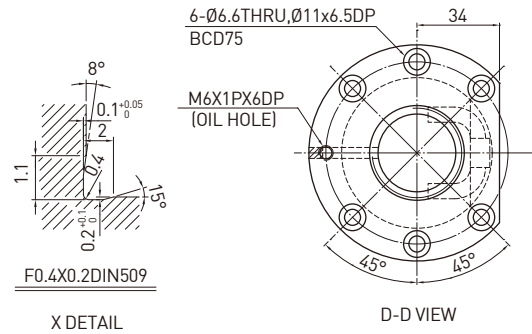


Unit : mm

Stroke	HIWIN Code	L1	L2	L3	Accuracy grade
150	R32-5B2-OFSW-280-529-0.018	280	300	529	C5
250	R32-5B2-OFSW-380-629-0.018	380	400	629	C5
350	R32-5B2-OFSW-480-729-0.018	480	500	729	C5
450	R32-5B2-OFSW-580-829-0.018	580	600	829	C5
550	R32-5B2-OFSW-680-929-0.018	680	700	929	C5
650	R32-5B2-OFSW-780-1029-0.018	780	800	1029	C5
850	R32-5B2-OFSW-980-1229-0.018	980	1000	1229	C5
1050	R32-5B2-OFSW-1180-1429-0.018	1180	1200	1429	C5
1350	R32-5B2-OFSW-1480-1729-0.018	1480	1500	1729	C5

**OFSW Type** (SHAFT OD 32, LEAD 6) ◀ Standard


Ball screw Data	
Direction	Right Hand
Lead (mm)	6
Lead Angle	3.33°
P.C.D (mm)	32.8
RD (mm)	28.744
Steel Ball (mm)	Ø3.969
Circuits	2.5x2
Dynamic Load C (kgf)	2556
Static Load Co (kgf)	7019
Axial Play (mm)	0
Drag Torque (kgf-cm)	2.32-4.82
Spacer Ball	-

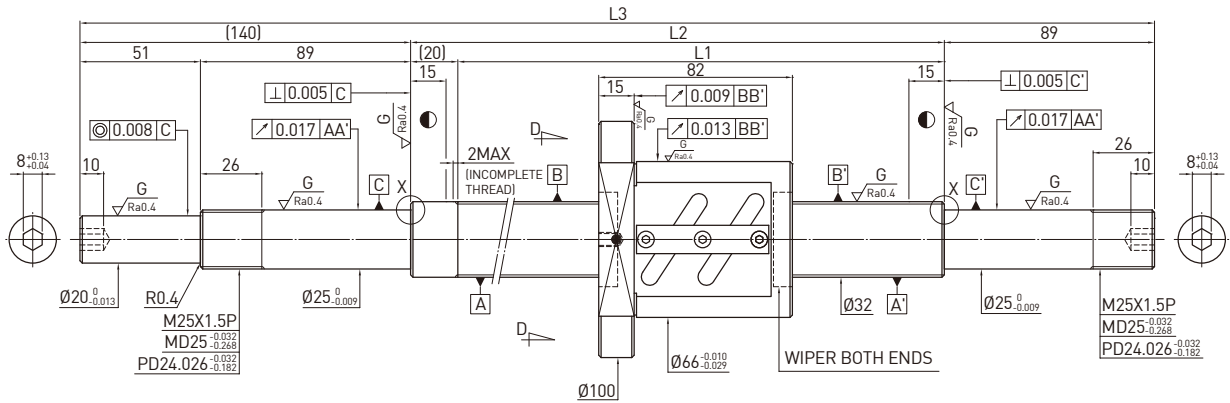


Unit : mm

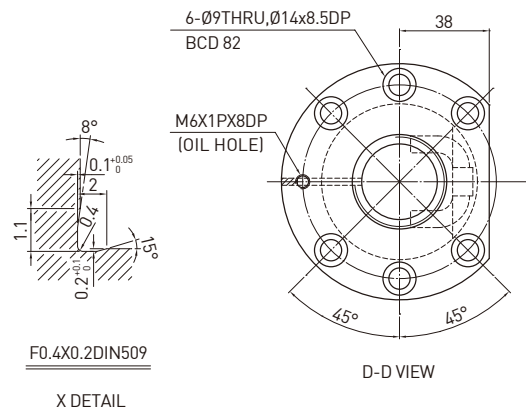
Stroke	HIWIN Code	L1	L2	L3	Accuracy grade
250	R32-6B2-OFSW-380-629-0.018	380	400	629	C5
450	R32-6B2-OFSW-580-829-0.018	580	600	829	C5
650	R32-6B2-OFSW-780-1029-0.018	780	800	1029	C5
850	R32-6B2-OFSW-980-1229-0.018	980	1000	1229	C5
1050	R32-6B2-OFSW-1180-1429-0.018	1180	1200	1429	C5
1350	R32-6B2-OFSW-1480-1729-0.018	1480	1500	1729	C5



**OFSW Type** (SHAFT OD 32, LEAD 8) ◀ Standard



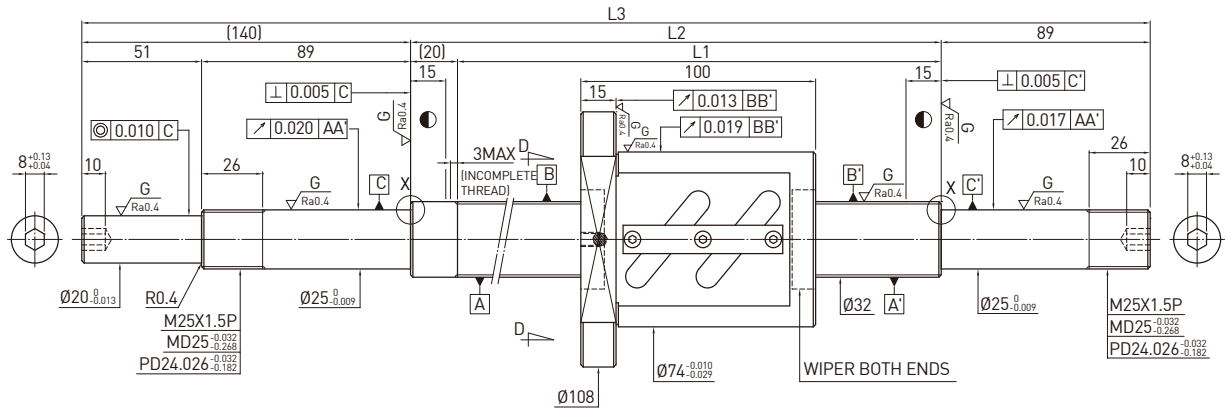
Ball screw Data	
Direction	Right Hand
Lead (mm)	8
Lead Angle	4.41°
P.C.D (mm)	33
RD (mm)	28.132
Steel Ball (mm)	Ø4.763
Circuits	2.5x1
Dynamic Load C (kgf)	2650
Static Load Co (kgf)	5599
Axial Play (mm)	0
Drag Torque (kgf-cm)	1.26-5.06
Spacer Ball	-



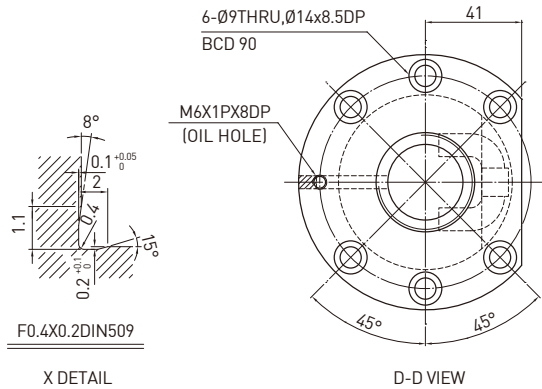
Unit : mm

Stroke	HIWIN Code	L1	L2	L3	Accuracy grade
250	R32-8B1-OFSW-380-629-0.018	380	400	629	C5
450	R32-8B1-OFSW-580-829-0.018	580	600	829	C5
650	R32-8B1-OFSW-780-1029-0.018	780	800	1029	C5
850	R32-8B1-OFSW-980-1229-0.018	980	1000	1229	C5
1350	R32-8B1-OFSW-1480-1729-0.018	1480	1500	1729	C5

**OFSW Type** (SHAFT OD 32, LEAD 10) ◀ Standard



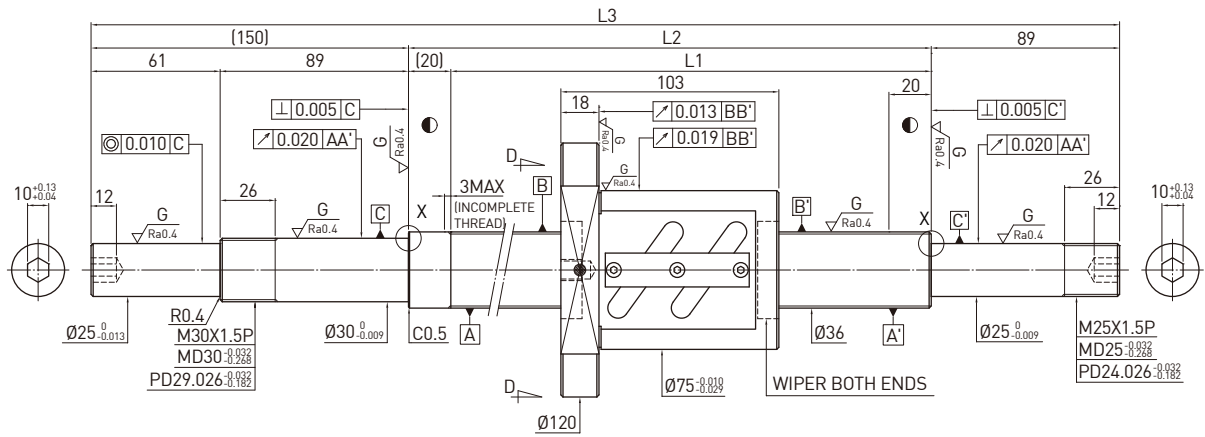
Ball screw Data	
Direction	Right Hand
Lead (mm)	10
Lead Angle	5.44°
P.C.D (mm)	33.4
RD (mm)	26.91
Steel Ball (mm)	Ø6.35
Circuits	2.5x1
Dynamic Load C (kgf)	2650
Static Load Co (kgf)	5599
Axial Play (mm)	0
Drag Torque (kgf-cm)	3.58-7.44
Spacer Ball	-



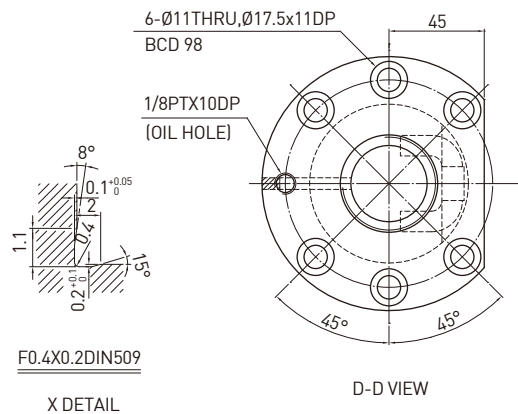
Unit : mm

Stroke	HIWIN Code	L1	L2	L3	Accuracy grade
250	R32-10B1-OFSW-380-629-0.018	380	400	629	C5
350	R32-10B1-OFSW-480-729-0.018	480	500	729	C5
450	R32-10B1-OFSW-580-829-0.018	580	600	829	C5
550	R32-10B1-OFSW-680-929-0.018	680	700	929	C5
650	R32-10B1-OFSW-780-1029-0.018	780	800	1029	C5
850	R32-10B1-OFSW-980-1229-0.018	980	1000	1229	C5
1050	R32-10B1-OFSW-1180-1429-0.018	1180	1200	1429	C5
1350	R32-10B1-OFSW-1480-1729-0.018	1480	1500	1729	C5
1650	R32-10B1-OFSW-1780-2029-0.018	1780	1800	2029	C5

**OFSW Type** (SHAFT OD 36, LEAD 10) ◀ Standard



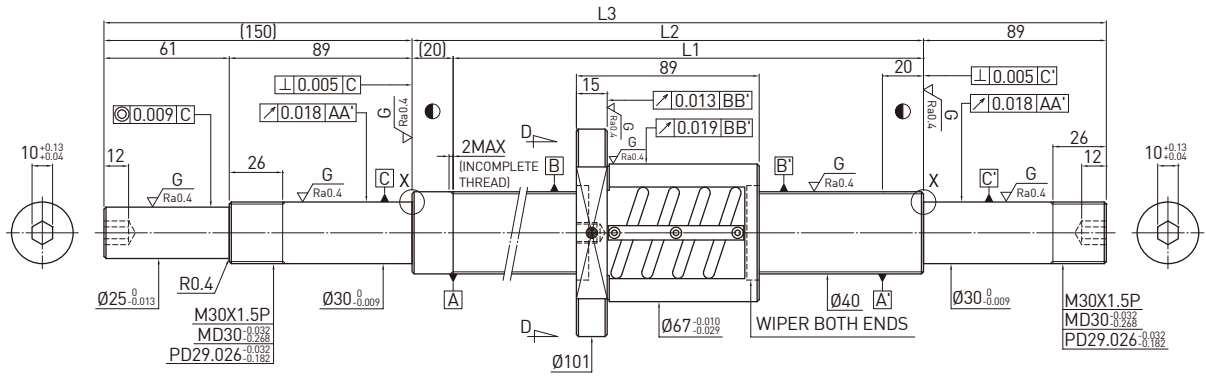
Ball screw Data	
Direction	Right Hand
Lead (mm)	10
Lead Angle	4.84°
P.C.D (mm)	37.4
RD (mm)	30.91
Steel Ball (mm)	Ø6.35
Circuits	2.5x1
Dynamic Load C (kgf)	2812
Static Load Co (kgf)	6334
Axial Play (mm)	0
Drag Torque (kgf-cm)	3.91-8.13
Spacer Ball	-



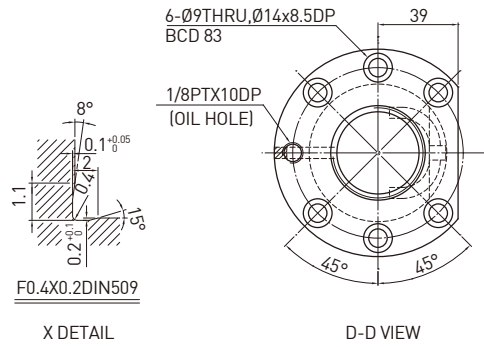
Unit : mm

Stroke	HIWIN Code	L1	L2	L3	Accuracy grade
350	R36-10B1-OFSW-480-739-0.018	480	500	739	C5
550	R36-10B1-OFSW-680-939-0.018	680	700	939	C5
850	R36-10B1-OFSW-980-1239-0.018	980	1000	1239	C5
1250	R36-10B1-OFSW-1380-1639-0.018	1380	1400	1639	C5
1650	R36-10B1-OFSW-1780-2039-0.018	1780	1800	2039	C5

**OFSW Type** (SHAFT OD 40, LEAD 5) ◀ Standard



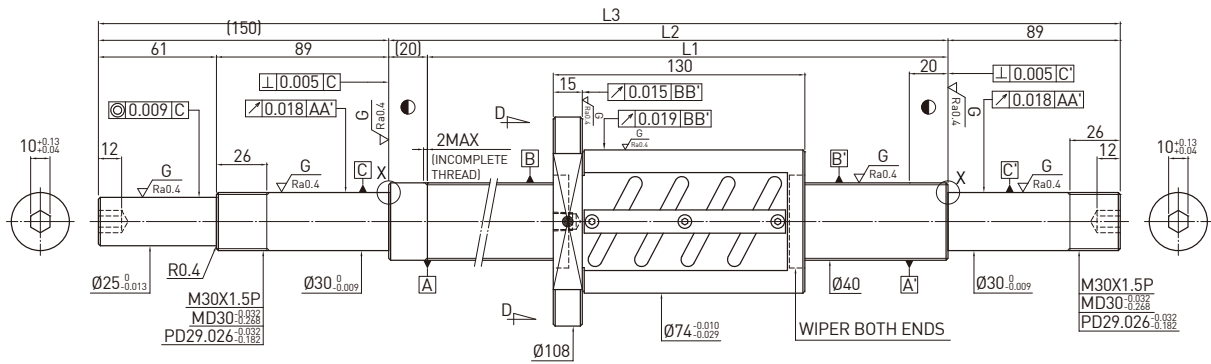
Ballscrew Data	
Direction	Right Hand
Lead (mm)	5
Lead Angle	2.24°
P.C.D (mm)	40.6
RD (mm)	37.324
Steel Ball (mm)	Ø3.175
Circuits	2.5x2
Dynamic Load C (Kgf)	2070
Static Load Co (Kgf)	7134
Axial Play (mm)	0
Drag Torque (Kgf-cm)	1.81~4.21
Spacer Ball	-



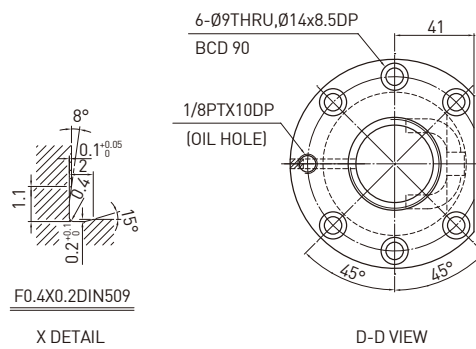
Unit : mm

Stroke	HIWIN Code	L1	L2	L3	Accuracy grade
250	R40-5B2-OFSW-380-639-0.018	380	400	639	C5
450	R40-5B2-OFSW-580-839-0.018	580	600	839	C5
650	R40-5B2-OFSW-780-1039-0.018	780	800	1039	C5
850	R40-5B2-OFSW-980-1239-0.018	980	1000	1239	C5
1050	R40-5B2-OFSW-1180-1439-0.018	1180	1200	1439	C5
1450	R40-5B2-OFSW-1580-1839-0.018	1580	1600	1839	C5

**OFSW Type** (SHAFT OD 40, LEAD 8) ◀ Standard



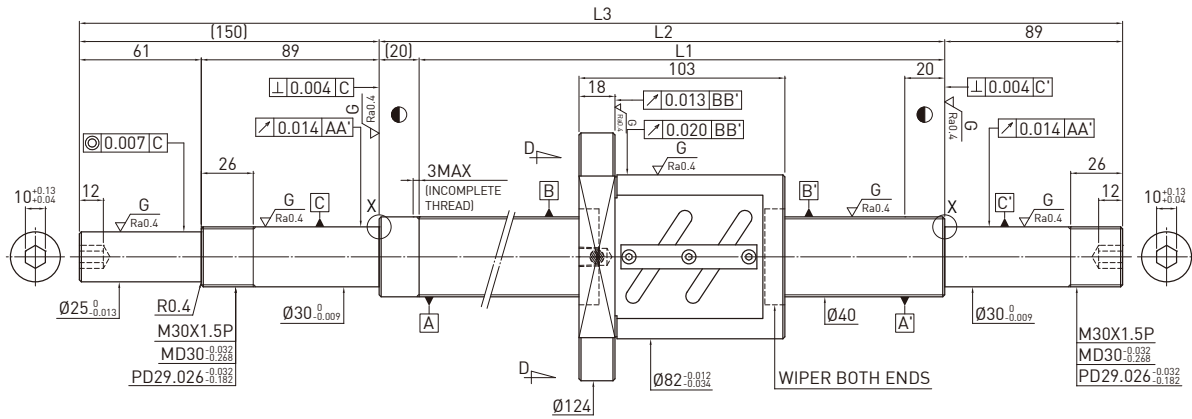
Ball screw Data	
Direction	Right Hand
Lead (mm)	8
Lead Angle	3.55°
P.C.D (mm)	41
RD (mm)	36.132
Steel Ball (mm)	Ø4.763
Circuits	2.5x2
Dynamic Load C (kgf)	3634
Static Load Co (kgf)	10603
Axial Play (mm)	0
Drag Torque (kgf-cm)	4.24-8.82
Spacer Ball	-



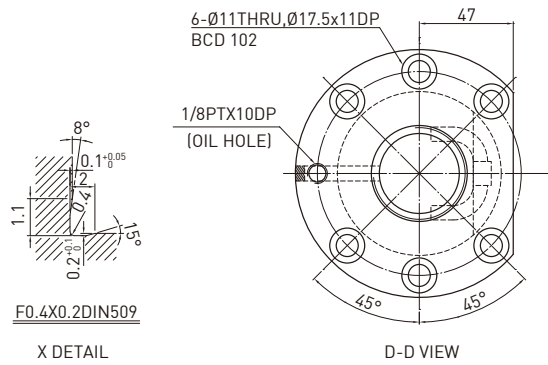
Unit : mm

Stroke	HIWIN Code	L1	L2	L3	Accuracy grade
200	R40-8B2-OFSW-380-639-0.018	380	400	639	C5
400	R40-8B2-OFSW-580-839-0.018	580	600	839	C5
600	R40-8B2-OFSW-780-1039-0.018	780	800	1039	C5
800	R40-8B2-OFSW-980-1239-0.018	980	1000	1239	C5
1000	R40-8B2-OFSW-1180-1439-0.018	1180	1200	1439	C5
1400	R40-8B2-OFSW-1580-1839-0.018	1580	1600	1839	C5

**OFSW Type** (SHAFT OD 40, LEAD 10) ◀ Standard



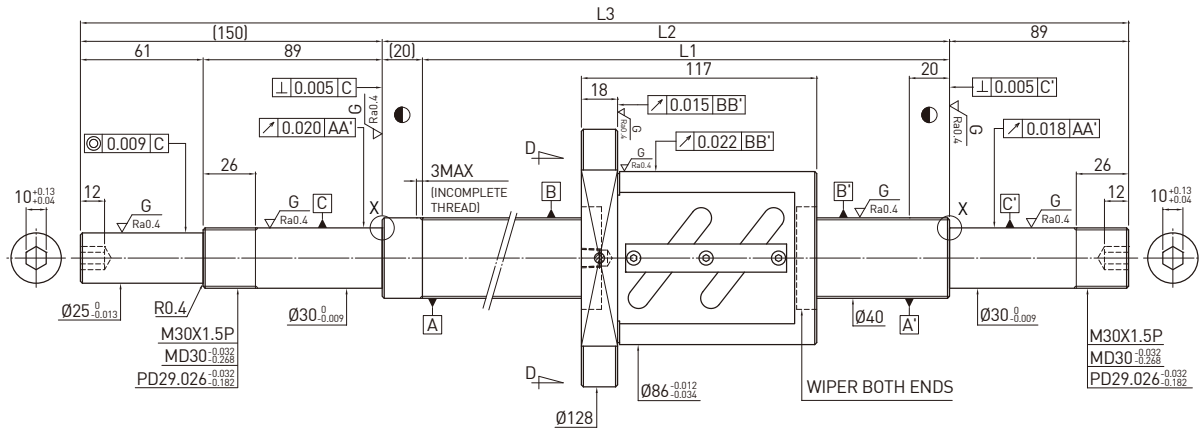
Ball screw Data	
Direction	Right Hand
Lead (mm)	10
Lead Angle	4.4°
P.C.D (mm)	41.4
RD (mm)	34.91
Steel Ball (mm)	Ø6.35
Circuits	2.5x1
Dynamic Load C (kgf)	2958
Static Load Co (kgf)	7069
Axial Play (mm)	0
Drag Torque (kgf-cm)	4.57-8.49
Spacer Ball	-



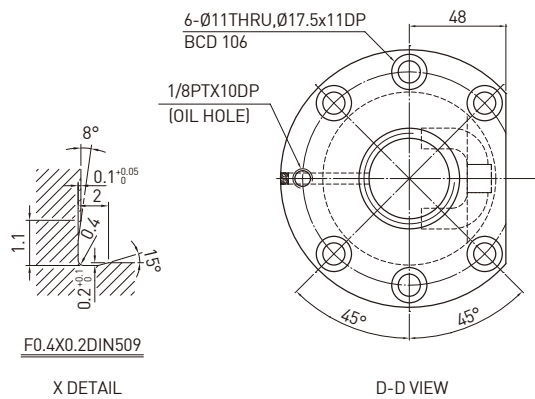
Unit : mm

Stroke	HIWIN Code	L1	L2	L3	Accuracy grade
350	R40-10B1-OFSW-480-739-0.018	480	500	739	C5
450	R40-10B1-OFSW-580-839-0.018	580	600	839	C5
550	R40-10B1-OFSW-680-939-0.018	680	700	939	C5
650	R40-10B1-OFSW-780-1039-0.018	780	800	1039	C5
850	R40-10B1-OFSW-980-1239-0.018	980	1000	1239	C5
1050	R40-10B1-OFSW-1180-1439-0.018	1180	1200	1439	C5
1250	R40-10B1-OFSW-1380-1639-0.018	1380	1400	1639	C5
1450	R40-10B1-OFSW-1580-1839-0.018	1580	1600	1839	C5
1650	R40-10B1-OFSW-1780-2039-0.018	1780	1800	2039	C5
2250	R40-10B1-OFSW-2380-2639-0.018	2380	2400	2639	C5

**OFSW Type** (SHAFT OD 40, LEAD 12) ◀ Standard



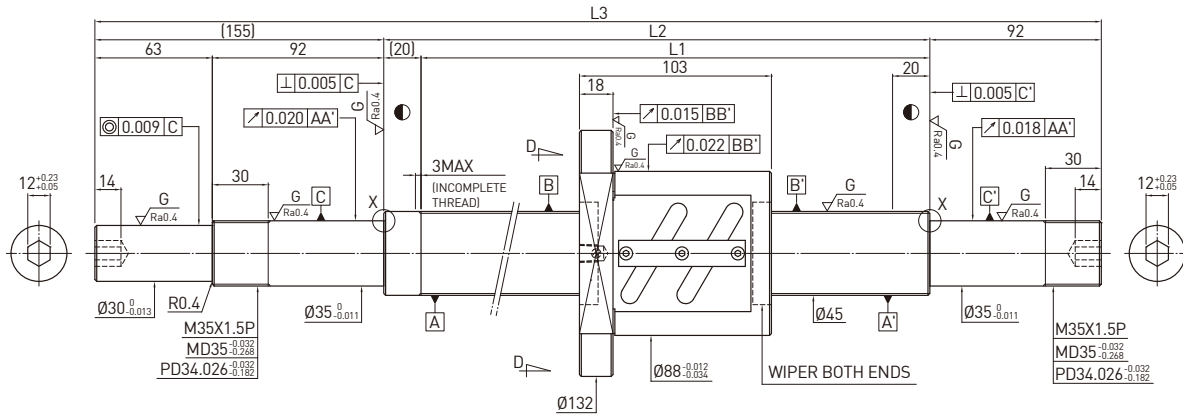
Ballscrew Data	
Direction	Right Hand
Lead (mm)	12
Lead Angle	5.25°
P.C.D (mm)	41.6
RD (mm)	34.299
Steel Ball (mm)	Ø7.144
Circuits	2.5x1
Dynamic Load C (kgf)	3425
Static Load Co (kgf)	7837
Axial Play (mm)	0
Drag Torque (kgf-cm)	5.93-11.01
Spacer Ball	-



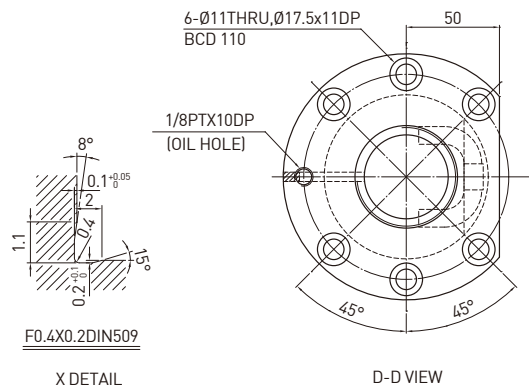
Unit : mm

Stroke	HIWIN Code	L1	L2	L3	Accuracy grade
500	R40-12B1-OFSW-680-939-0.018	680	700	939	C5
800	R40-12B1-OFSW-980-1239-0.018	980	1000	1239	C5
1200	R40-12B1-OFSW-1380-1639-0.018	1380	1400	1639	C5
1600	R40-12B1-OFSW-1780-2039-0.018	1780	1800	2039	C5
2300	R40-12B1-OFSW-2480-2739-0.018	2480	2500	2739	C5

**OFSW Type** (SHAFT OD 45, LEAD 10) ◀ Standard



Ball screw Data	
Direction	Right Hand
Lead (mm)	10
Lead Angle	3.92°
P.C.D (mm)	46.4
RD (mm)	39.91
Steel Ball (mm)	Ø6.35
Circuits	2.5x1
Dynamic Load C (kgf)	3115
Static Load Co (kgf)	7952
Axial Play (mm)	0
Drag Torque (kgf-cm)	4.58-9.5
Spacer Ball	-

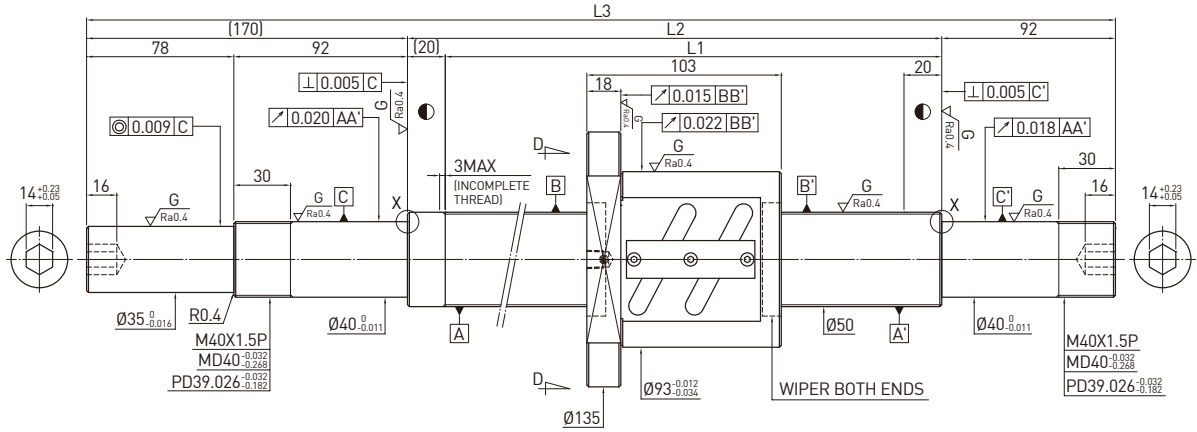


Unit : mm

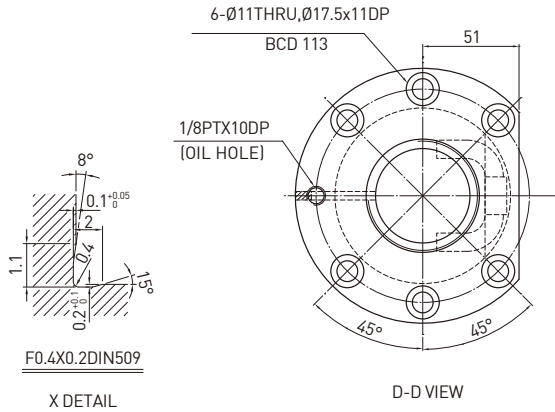
Stroke	HIWIN Code	L1	L2	L3	Accuracy grade
550	R45-10B1-OFSW-680-947-0.018	680	700	947	C5
850	R45-10B1-OFSW-980-1247-0.018	980	1000	1247	C5
1250	R45-10B1-OFSW-1380-1647-0.018	1380	1400	1647	C5
1650	R45-10B1-OFSW-1780-2047-0.018	1780	1800	2047	C5
2350	R45-10B1-OFSW-2480-2747-0.018	2480	2500	2747	C5



**OFSW Type** (SHAFT OD 50, LEAD 10) ◀ Standard



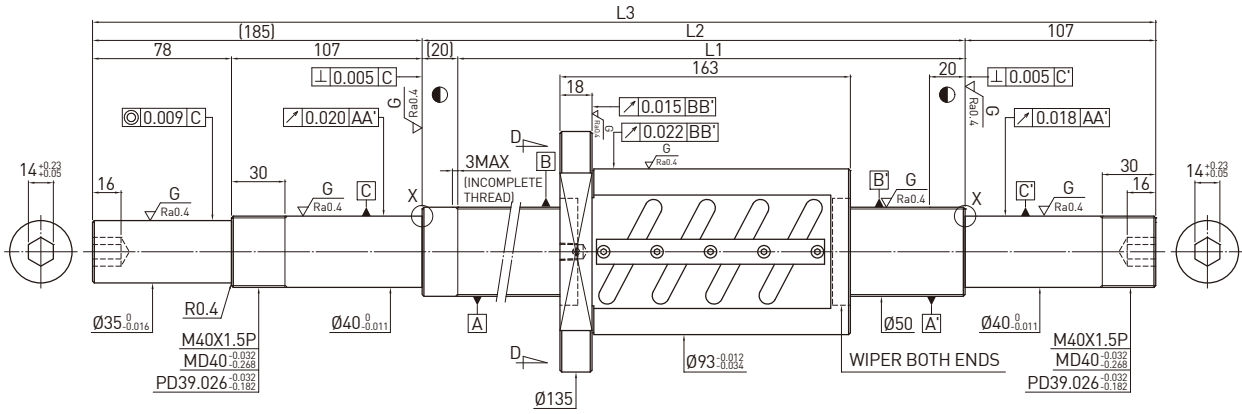
Ballscrew Data	
Direction	Right Hand
Lead (mm)	10
Lead Angle	3.54°
P.C.D (mm)	51.4
RD (mm)	44.91
Steel Ball (mm)	Ø6.35
Circuits	2.5x1
Dynamic Load C (kgf)	3263
Static Load Co (kgf)	8835
Axial Play (mm)	0
Drag Torque (kgf-cm)	4.84~11.28
Spacer Ball	-



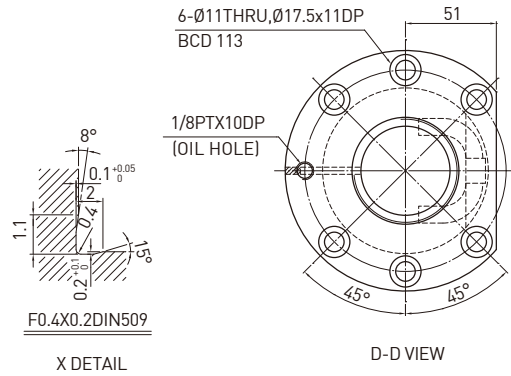
Unit : mm

Stroke	HIWIN Code	L1	L2	L3	Accuracy grade
450	R50-10B1-OFSW-580-862-0.018	580	600	862	C5
650	R50-10B1-OFSW-780-1062-0.018	780	800	1062	C5
850	R50-10B1-OFSW-980-1262-0.018	980	1000	1262	C5
1050	R50-10B1-OFSW-1180-1462-0.018	1180	1200	1462	C5
1350	R50-10B1-OFSW-1480-1762-0.018	1480	1500	1762	C5
1850	R50-10B1-OFSW-1980-2262-0.018	1980	2000	2262	C5
2450	R50-10B1-OFSW-2580-2862-0.018	2580	2600	2862	C5

**OFSW Type** (SHAFT OD 50, LEAD 10) ◀ Standard



Ballscrew Data	
Direction	Right Hand
Lead (mm)	10
Lead Angle	3.54°
P.C.D (mm)	51.4
RD (mm)	44.91
Steel Ball (mm)	Ø6.35
Circuits	2.5x2
Dynamic Load C (kgf)	5923
Static Load Co (kgf)	17670
Axial Play (mm)	0
Drag Torque (kgf-cm)	10.48-17.48
Spacer Ball	-

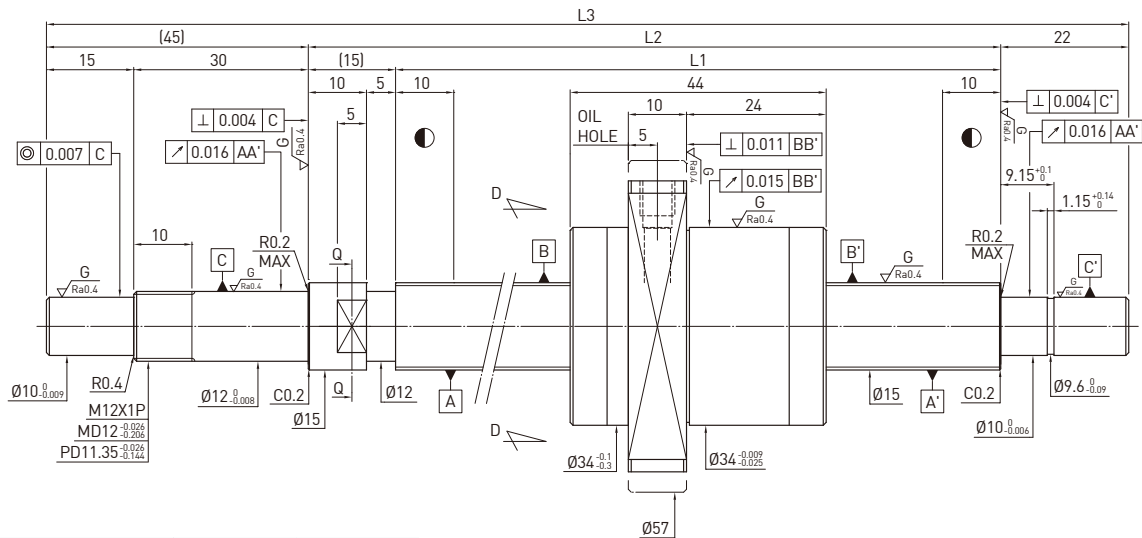


Unit : mm

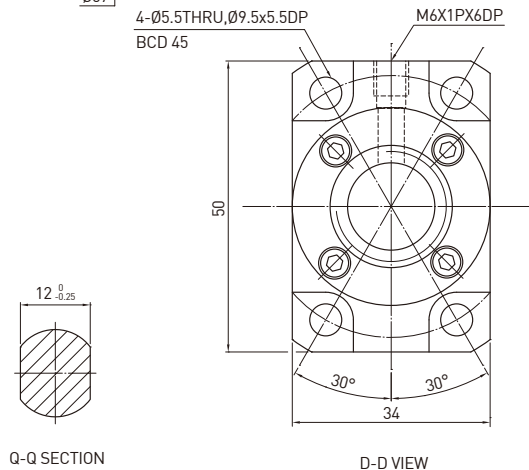
Stroke	HIWIN Code	L1	L2	L3	Accuracy grade
350	R50-10B2-OFSW-580-892-0.018	580	600	892	C5
550	R50-10B2-OFSW-780-1092-0.018	780	800	1092	C5
750	R50-10B2-OFSW-980-1292-0.018	980	1000	1292	C5
950	R50-10B2-OFSW-1180-1492-0.018	1180	1200	1492	C5
1250	R50-10B2-OFSW-1480-1792-0.018	1480	1500	1792	C5
1750	R50-10B2-OFSW-1980-2292-0.018	1980	2000	2292	C5
2350	R50-10B2-OFSW-2580-2892-0.018	2580	2600	2892	C5

## 6.5 High Lead Ground Ballscrew

### DFSH Type (SHAFT OD 15, LEAD 10) ◀ High Lead



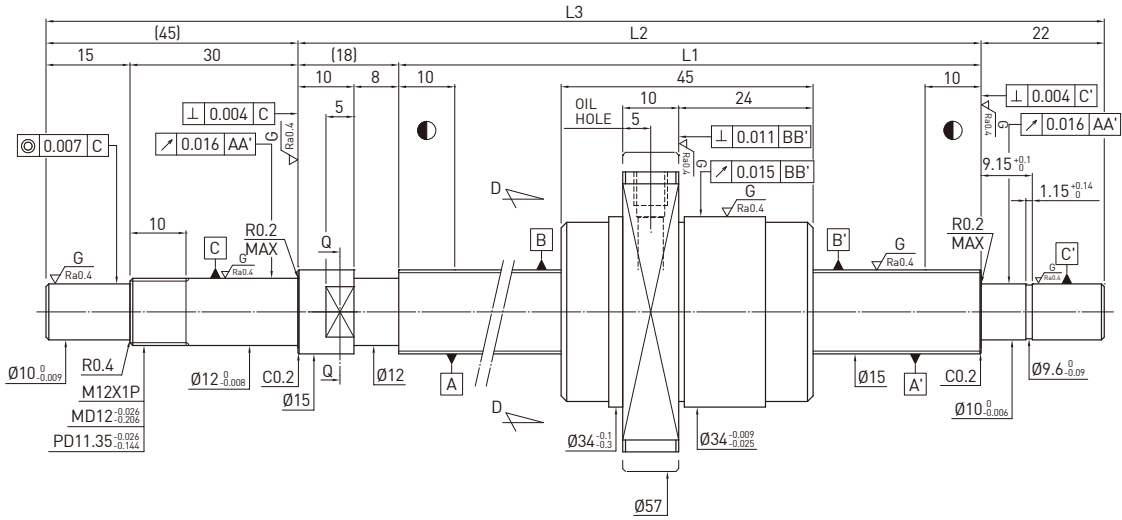
Ball screw Data	
Direction	Right Hand
Lead (mm)	10
Lead Angle	11.53°
P.C.D (mm)	15.6
RD (mm)	12.324
Steel Ball (mm)	Ø3.175
Circuits	2.8x2
Dynamic Load C (kgf)	940      1490
Static Load Co (kgf)	1590      3190
Axial Play (mm)	0      0.005MAX
Drag Torque (kgf-cm)	0.2~1      -
Spacer Ball	1 : 1      -



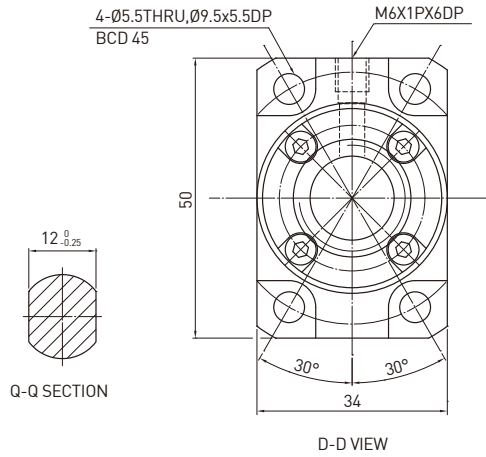
Unit : mm

Stroke	HIWIN Code	L1	L2	L3	Accuracy grade
150	2R15-10U2-DFSH-239-321-0.018	239	254	321	C5
200	2R15-10U2-DFSH-289-371-0.018	289	304	371	C5
250	2R15-10U2-DFSH-339-421-0.018	339	354	421	C5
300	2R15-10U2-DFSH-389-471-0.018	389	404	471	C5
350	2R15-10U2-DFSH-439-521-0.018	439	454	521	C5
400	2R15-10U2-DFSH-489-571-0.018	489	504	571	C5
450	2R15-10U2-DFSH-539-621-0.018	539	554	621	C5
500	2R15-10U2-DFSH-589-671-0.018	589	604	671	C5
550	2R15-10U2-DFSH-639-721-0.018	639	654	721	C5
600	2R15-10U2-DFSH-689-771-0.018	689	704	771	C5
700	2R15-10U2-DFSH-789-871-0.018	789	804	871	C5
800	2R15-10U2-D FSH-889-971-0.018	889	904	971	C5

**DFSH Type** (SHAFT OD 15, LEAD 20) ◀ High Lead



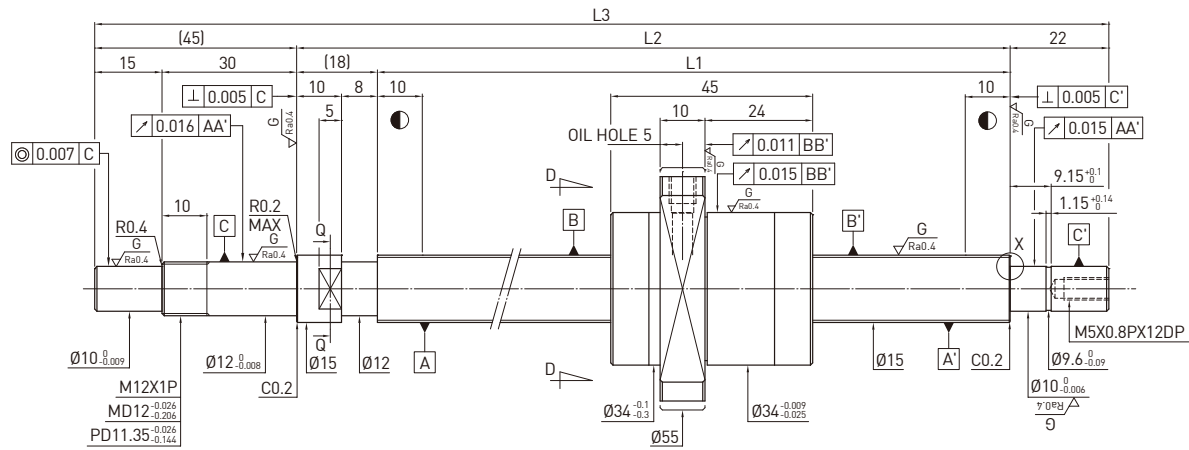
Ball screw Data	
Direction	Right Hand
Lead (mm)	20
Lead Angle	22.2°
P.C.D (mm)	15.6
RD (mm)	12.324
Steel Ball (mm)	Ø3.175
Circuits	1.8x2
Dynamic Load C (kgf)	620      990
Static Load Co (kgf)	1030      2070
Axial Play (mm)	0      0.005MAX
Drag Torque (kgf-cm)	0.2-0.9      -
Spacer Ball	1 : 1      -



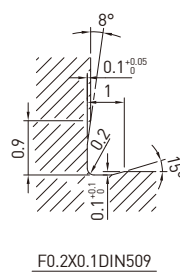
Unit : mm

Stroke	HIWIN Code	L1	L2	L3	Accuracy grade
150	2R15-20S2-DFSH-236-321-0.018	236	254	321	C5
200	2R15-20S2-DFSH-286-371-0.018	286	304	371	C5
250	2R15-20S2-DFSH-336-421-0.018	336	354	421	C5
300	2R15-20S2-DFSH-386-471-0.018	386	404	471	C5
350	2R15-20S2-DFSH-436-521-0.018	436	454	521	C5
400	2R15-20S2-DFSH-486-571-0.018	486	504	571	C5
450	2R15-20S2-DFSH-536-621-0.018	536	554	621	C5
500	2R15-20S2-DFSH-586-671-0.018	586	604	671	C5
550	2R15-20S2-DFSH-636-721-0.018	636	654	721	C5
600	2R15-20S2-DFSH-686-771-0.018	686	704	771	C5
700	2R15-20S2-DFSH-786-871-0.018	786	804	871	C5
800	2R15-20S2-DFSH-886-971-0.018	886	904	971	C5

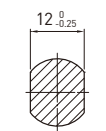
**FSH Type** (SHAFT OD 15, LEAD 20) ◀ High Lead



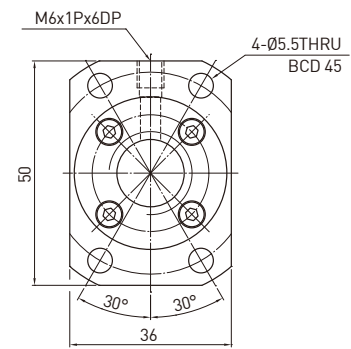
Ball screw Data		
Direction	Right Hand	
Lead (mm)	20	
Lead Angle	22.2°	
P.C.D (mm)	15.6	
RD (mm)	12.324	
Steel Ball (mm)	Ø3.175	
Circuits	1.8x1	
Dynamic Load C (kgf)	340	540
Static Load Co (kgf)	510	1030
Axial Play (mm)	0	0.005MAX
Drag Torque (kgf-cm)	0.15~0.8	0.24MAX
Spacer Ball	1 : 1	-



X-DETAIL



Q-Q SECTION

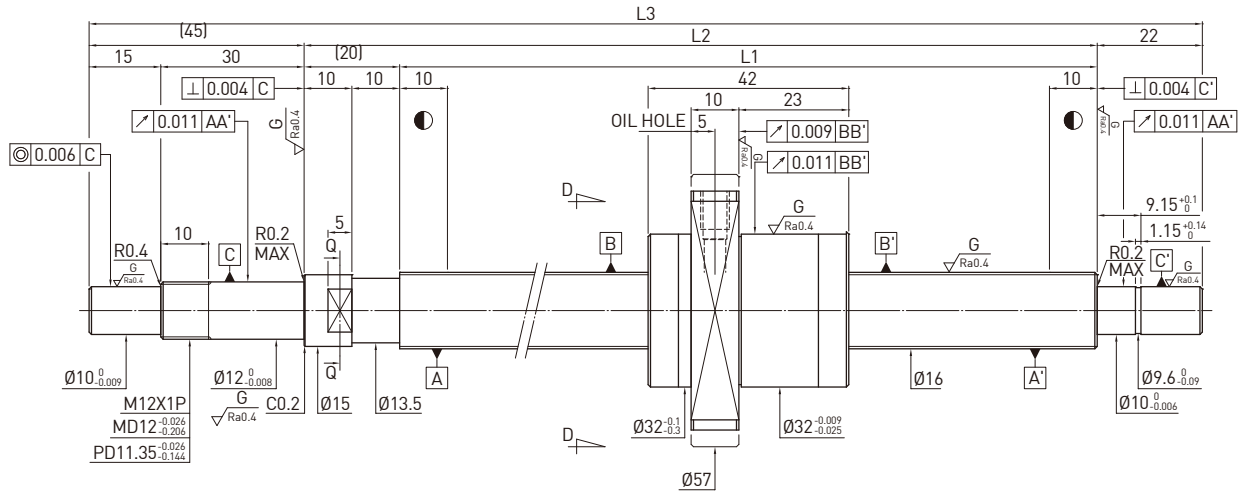


D-D VIEW

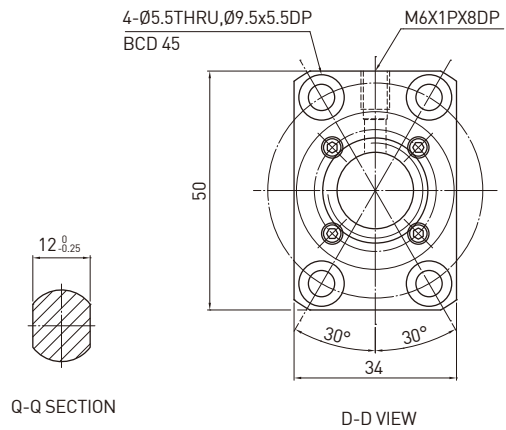
Unit : mm

Stroke	HIWIN Code	L1	L2	L3	Accuracy grade
100	R15-20S1-FSH-186-271-0.018	186	204	271	C5
150	R15-20S1-FSH-236-321-0.018	236	254	321	C5
200	R15-20S1-FSH-286-371-0.018	286	304	371	C5
250	R15-20S1-FSH-336-421-0.018	336	354	421	C5
300	R15-20S1-FSH-386-471-0.018	386	404	471	C5
350	R15-20S1-FSH-436-521-0.018	436	454	521	C5
400	R15-20S1-FSH-486-571-0.018	486	504	571	C5
450	R15-20S1-FSH-536-621-0.018	536	554	621	C5
500	R15-20S1-FSH-586-671-0.018	586	604	671	C5
550	R15-20S1-FSH-636-721-0.018	636	654	721	C5
600	R15-20S1-FSH-686-771-0.018	686	704	771	C5
700	R15-20S1-FSH-786-871-0.018	786	804	871	C5
800	R15-20S1-FSH-886-971-0.018	886	904	971	C5
1000	R15-20S1-FSH-1086-1171-0.018	1086	1104	1171	C5

**DFSH Type** (SHAFT OD 16, LEAD 16) ◀ High Lead



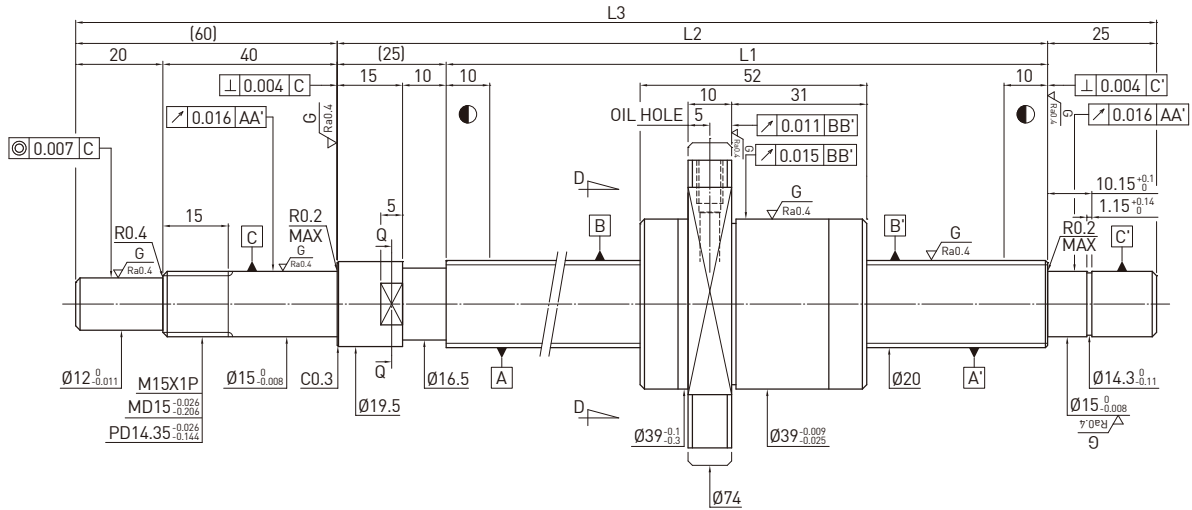
Ballscrew Data	
Direction	Right Hand
Lead (mm)	16
Lead Angle	17.06°
P.C.D (mm)	16.6
RD (mm)	13.324
Steel Ball (mm)	$\varnothing 3.175$
Circuits	1.8x2
Dynamic Load C (kgf)	670      1060
Static Load Co (kgf)	1140      2280
Axial Play (mm)	0      0.005MAX
Drag Torque (kgf-cm)	0.2~1      -
Spacer Ball	1 : 1      -



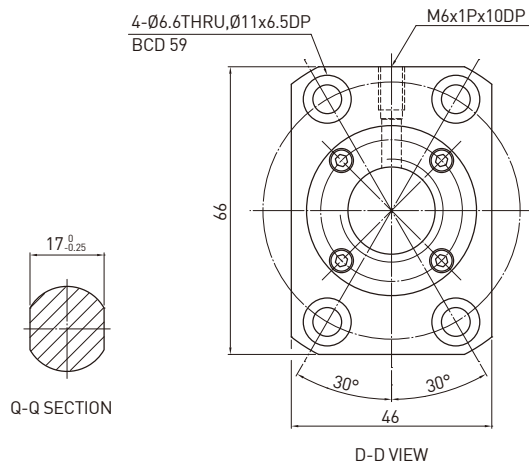
Unit : mm

Stroke	HIWIN Code	L1	L2	L3	Accuracy grade
150	2R16-16S2-DFSH-234-321-0.018	234	254	321	C5
200	2R16-16S2-DFSH-284-371-0.018	284	304	371	C5
250	2R16-16S2-DFSH-334-421-0.018	334	354	421	C5
300	2R16-16S2-DFSH-384-471-0.018	384	404	471	C5
350	2R16-16S2-DFSH-434-521-0.018	434	454	521	C5
400	2R16-16S2-DFSH-484-571-0.018	484	504	571	C5
450	2R16-16S2-DFSH-534-621-0.018	534	554	621	C5
500	2R16-16S2-DFSH-584-671-0.018	584	604	671	C5
550	2R16-16S2-DFSH-634-721-0.018	634	654	721	C5
600	2R16-16S2-DFSH-684-771-0.018	684	704	771	C5
700	2R16-16S2-DFSH-784-871-0.018	784	804	871	C5
800	2R16-16S2-DFSH-884-971-0.018	884	904	971	C5

**DFSH Type** (SHAFT OD 20, LEAD 20) ◀ High Lead



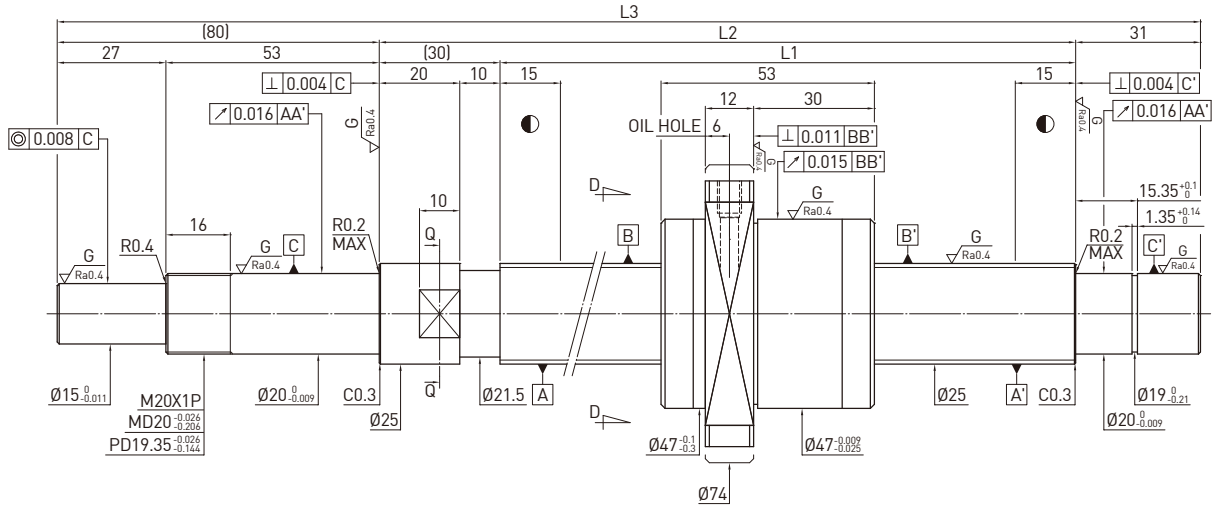
Ballscrew Data	
Direction	Right Hand
Lead (mm)	20
Lead Angle	17.17°
P.C.D (mm)	20.6
RD (mm)	17.324
Steel Ball (mm)	Ø3.175
Circuits	1.8x2
Dynamic Load C (kgf)	740      1180
Static Load Co (kgf)	1430      2860
Axial Play (mm)	0      0.005MAX
Drag Torque (kgf-cm)	0.1~1      -
Spacer Ball	1 : 1      -



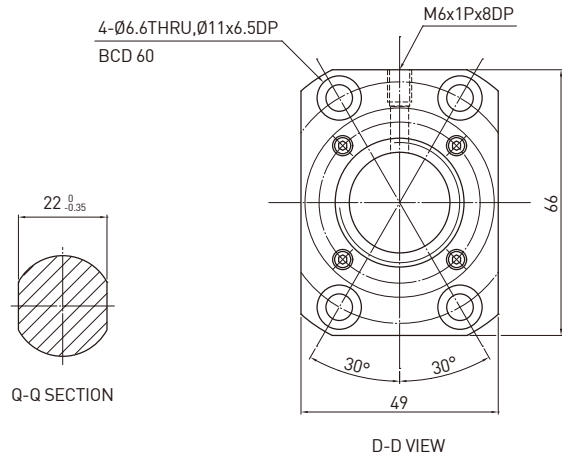
Unit : mm

Stroke	HIWIN Code	L1	L2	L3	Accuracy grade
300	2R20-20S2-DFSH-410-520-0.018	410	435	520	C5
400	2R20-20S2-DFSH-510-620-0.018	510	535	620	C5
500	2R20-20S2-DFSH-610-720-0.018	610	635	720	C5
600	2R20-20S2-DFSH-710-820-0.018	710	735	820	C5
700	2R20-20S2-DFSH-810-920-0.018	810	835	920	C5
800	2R20-20S2-DFSH-910-1020-0.018	910	935	1020	C5
900	2R20-20S2-DFSH-1010-1120-0.018	1010	1035	1120	C5
1000	2R20-20S2-DFSH-1110-1220-0.018	1110	1135	1220	C5
1100	2R20-20S2-DFSH-1210-1320-0.018	1210	1235	1320	C5

**DFSH Type** (SHAFT OD 25, LEAD 20) ◀ High Lead



Ballscrew Data	
Direction	Right Hand
Lead (mm)	20
Lead Angle	13.86°
P.C.D (mm)	25.8
RD (mm)	21.744
Steel Ball (mm)	Ø3.969
Circuits	1.8x2
Dynamic Load C (kgf)	1140      1810
Static Load Co (kgf)	2270      4540
Axial Play (mm)	0      0.005MAX
Drag Torque (kgf-cm)	0.2~1      -
Spacer Ball	1 : 1      -



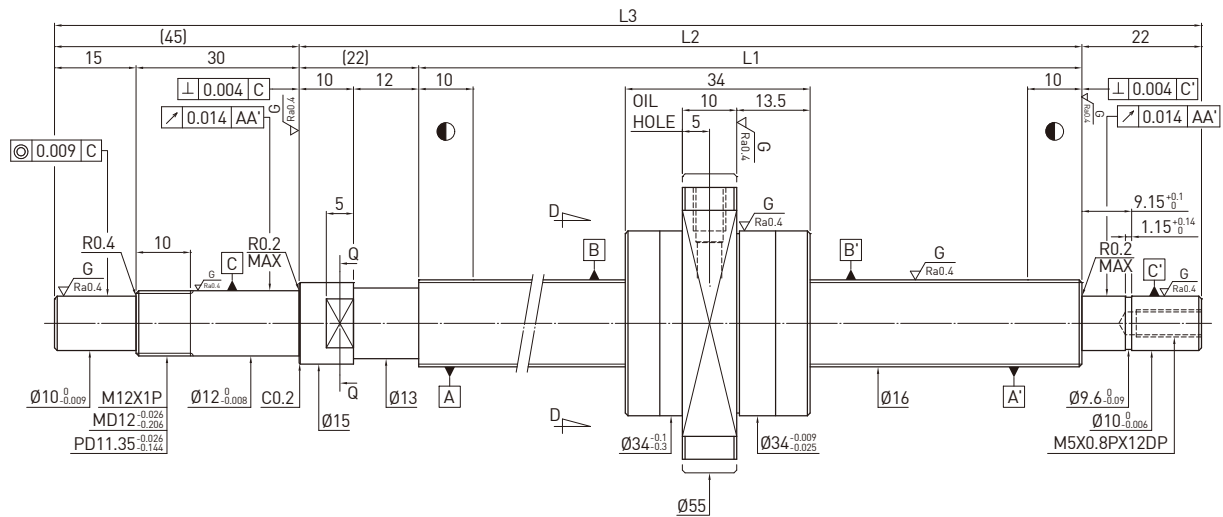
Unit : mm

Stroke	HIWIN Code	L1	L2	L3	Accuracy grade
500	2R25-20S2-DFSH-610-751-0.018	610	640	751	C5
600	2R25-20S2-DFSH-710-851-0.018	710	740	851	C5
800	2R25-20S2-DFSH-910-1051-0.018	910	940	1051	C5
1000	2R25-20S2-DFSH-1110-1251-0.018	1110	1140	1251	C5
1200	2R25-20S2-DFSH-1310-1451-0.018	1310	1340	1451	C5
1400	2R25-20S2-DFSH-1510-1651-0.018	1510	1540	1651	C5
1600	2R25-20S2-DFSH-1710-1851-0.018	1710	1740	1851	C5

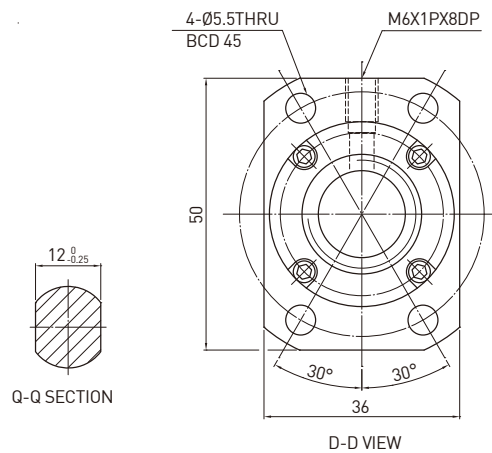


## 6.6 Ultra High Lead Ground Ballscrew

### DFSH Type (SHAFT OD 16, LEAD 32) ◀ Ultra High Lead



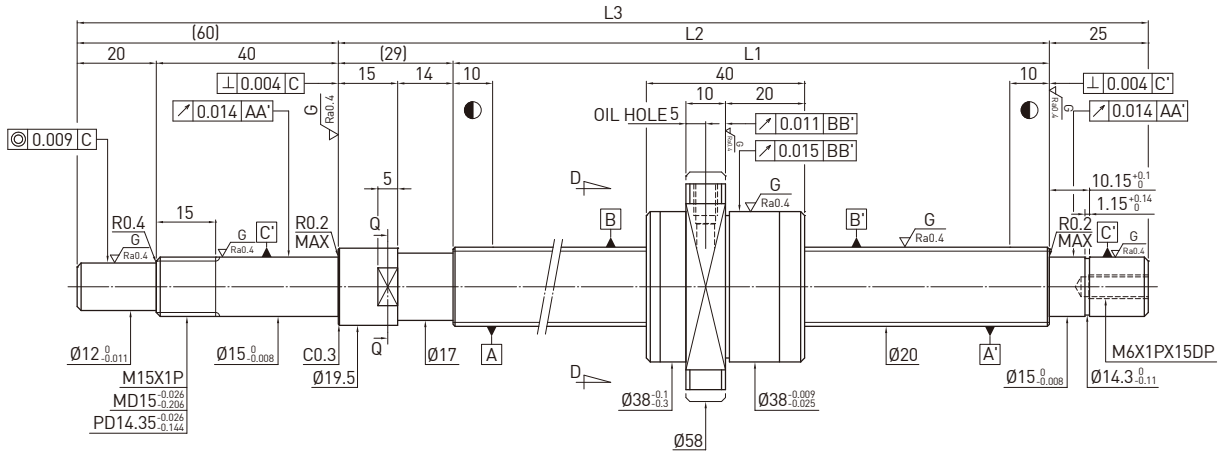
Ballscrew Data	
Direction	Right Hand
Lead (mm)	32
Lead Angle	31.53°
P.C.D (mm)	16.6
RD (mm)	13.324
Steel Ball (mm)	Ø3.175
Circuits	0.8x2
Dynamic Load C (kgf)	490
Static Load Co (kgf)	1010
Axial Play (mm)	0      0.005MAX
Drag Torque (kgf-cm)	0.15~1.0      0.24MAX
Spacer Ball	-      -



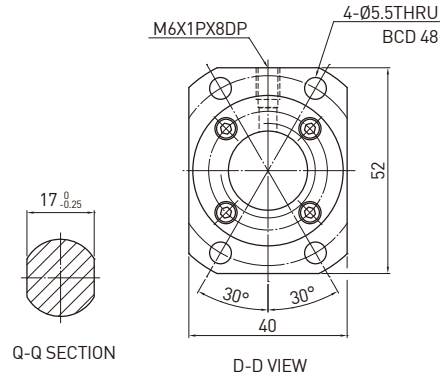
Unit : mm

Stroke	HIWIN Code	L1	L2	L3	Accuracy grade
300	2R16-32V2-DFSH-382-471-0.018	382	404	471	C5
500	2R16-32V2-DFSH-582-671-0.018	582	604	671	C5
800	2R16-32V2-DFSH-882-971-0.018	882	904	971	C5
1200	2R16-32V2-DFSH-1282-1371-0.018	1282	1304	1371	C5

**DFSH Type** (SHAFT OD 20, LEAD 40) ◀ Ultra High Lead



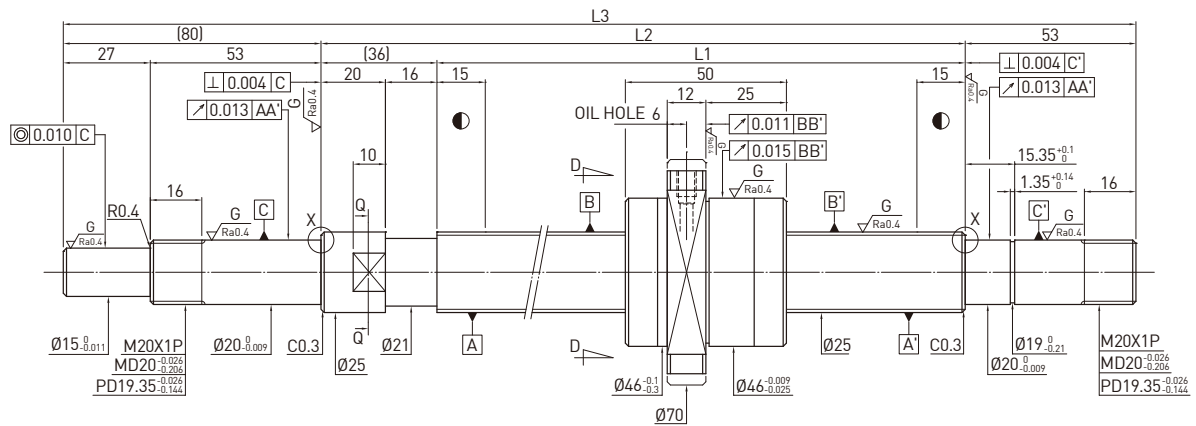
Ballscrew Data	
Direction	Right Hand
Lead (mm)	40
Lead Angle	31.47°
P.C.D (mm)	20.8
RD (mm)	17.324
Steel Ball (mm)	Ø3.175
Circuits	0.8x2
Dynamic Load C (kgf)	540
Static Load Co (kgf)	1240
Axial Play (mm)	0      0.005MAX
Drag Torque (kgf-cm)	0.2~1.2      0.3MAX
Spacer Ball	-      -



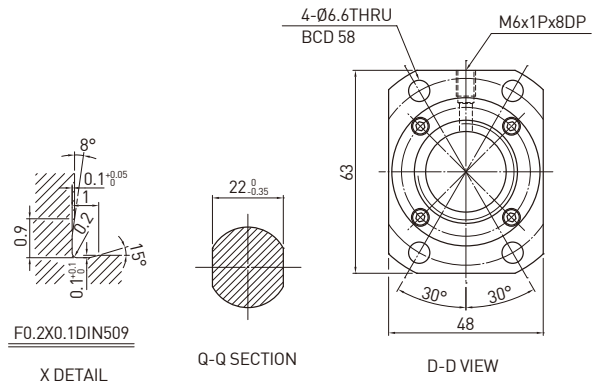
Unit : mm

Stroke	HIWIN Code	L1	L2	L3	Accuracy grade
400	2R20-40V2-DFSH-506- 620-0.018	506	535	620	C5
600	2R20-40V2-DFSH-706- 820-0.018	706	735	820	C5
800	2R20-40V2-DFSH-906- 1020-0.018	906	935	1020	C5
1000	2R20-40V2-DFSH-1106- 1220-0.018	1106	1135	1220	C5
1200	2R20-40V2-DFSH-1306- 1420-0.018	1306	1335	1420	C5
1600	2R20-40V2-DFSH-1706- 1820-0.018	1706	1735	1820	C5

**DFSH Type** (SHAFT OD 25, LEAD 50) ◀ Ultra High Lead



Ball screw Data	
Direction	Right Hand
Lead (mm)	50
Lead Angle	31.67°
P.C.D (mm)	25.8
RD (mm)	21.744
Steel Ball (mm)	Ø3.969
Circuits	0.8x2
Dynamic Load C (kgf)	800
Static Load Co (Kgf)	1930
Axial Play (mm)	0      0.005MAX
Drag Torque (kgf-cm)	0.3~2.19      0.5MAX
Spacer Ball	-      -



Unit : mm

Stroke	HIWIN Code	L1	L2	L3	Accuracy grade
700	2R25-50V2-DFSH-844-1013-0.018	844	880	1013	C5
1000	2R25-50V2-DFSH-1144-1313-0.018	1144	1180	1313	C5
1500	2R25-50V2-DFSH-1644-1813-0.018	1644	1680	1813	C5
2000	2R25-50V2-DFSH-2144-2313-0.018	2144	2180	2313	C5

## 7. Rolled Ballscrews

### 7.1 Introduction

HIWIN Rolled Ballscrews are made by a rolling process of the screw spindle instead of a grinding process. Rolled ballscrews not only have the benefit of low friction and smooth running for the linear feed system compared with traditional screws, but also can be supplied with quick stock delivery and lower production price.

HIWIN uses the most advanced technology in the ballscrew rolling process, and maintains the homogeneous manufacturing procedure of selecting materials, rolling, heat treating, machining and assembling.

In general, rolled ballscrews use the same preload method as the precision ground ballscrews, except that there are some differences in the lead error definition and the geometric tolerance. The grade of the rolled ballscrews can be ordered according to the same nut dimension of the precision ground ballscrew. If the ends of the spindle are unmachined, the geometric tolerance does not apply. The production scale of each type of the ballscrews and the accuracy classification are described in the following sections (the unit of length used is in mm).

### 7.2 Precision Rolled Ballscrews

Table 7.1 gives the lead accuracy of the precision rolled ballscrews. The lead accuracy is measured by the accumulated lead error of any portion of 300 mm in length. The maximum axial plays of the precision rolled ballscrews are shown in Table 7.2. These ballscrews can be preloaded as the precision ground ones. The categories of the precision rolled ballscrews are listed in Table 7.3.

Fig. 7.1 shows the geometric tolerance of the general rolled ballscrews. HIWIN has a variety of precision rolled ballscrews for our customers' urgent requirements.

Table 7.1 Accuracy grade of precision rolled ballscrew

Unit : 0.001mm

Cumulative	C6	C7	C8	C10
$v_{300}$	23	50	100	210
$e_p$	$e_p = \frac{\text{length measured}}{300} \times v_{300}$			

length measured $v_{300}$	Cumulative			
	C6	C7	C8	C10
0~100	18	44	84	178
101~200	20	48	92	194
201~315	23	50	100	210

Measuring length unit: mm

Table 7.2 Maximum axial play of precision rolled ballscrew

Unit : mm

Ball diameter (mm)	-1.2	2	3.175	4.763	6.35	7.938	9.525	12.7-
		2.381	3.969		7.144			
Axial play (mm)	0.01	0.02	0.04	0.05	0.07	0.08	0.09	0.11

Table 7.3 Category of HIWIN precision rolled ballscrew

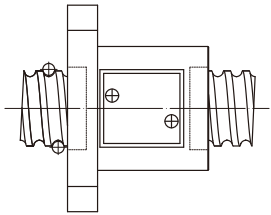
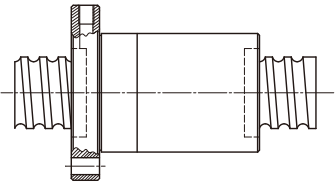
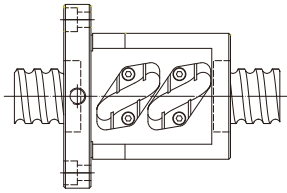
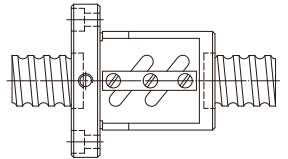
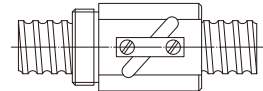
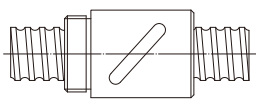
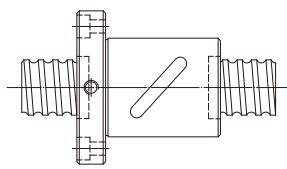
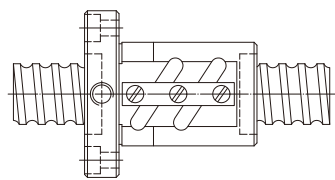
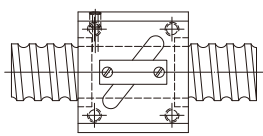
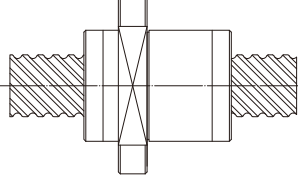
Unit : mm

Nominal diameter do (mm)	Lead																				Max.screw length	
	1	1.25	2	2.5	3	4	5	5.08	6	8	10	12	16	20	25	30	32	36	40	50		63
6	●	●																				800
8	●		●	■	●		●															800
10			●	■	●	●	●		●		●											1000
12			●	■	●	■	●	●		●	●	●										1200
14					●	●	●				●											2000
15											●											2000
16	●		■	■		●	■	●	●	●	■	●	●					●				3000
18										●												3000
20				■		●	■	■	●	●	●							■		●		3000
22							●				●											3000
25				●		●	■	■	●	●	■											4000
28							●		●													4000
32						■	■	■	●	●	■							●		●		4500
36							●		●	●	●	●	●					●				4500
38											■		●	●								5600
40							■		●	●	■	●	●	●	●						●	5600
45											●	●		●								5600
48											●			●								5600
50							●		●		■	●	●	●				●			●	5600
55									●		●											5600
63											■	●	●	■						●		5600
80											●		●	●				●				6500

■ : Right turn and left turn    ● : Right turn only. Please contact Hiwin for special request

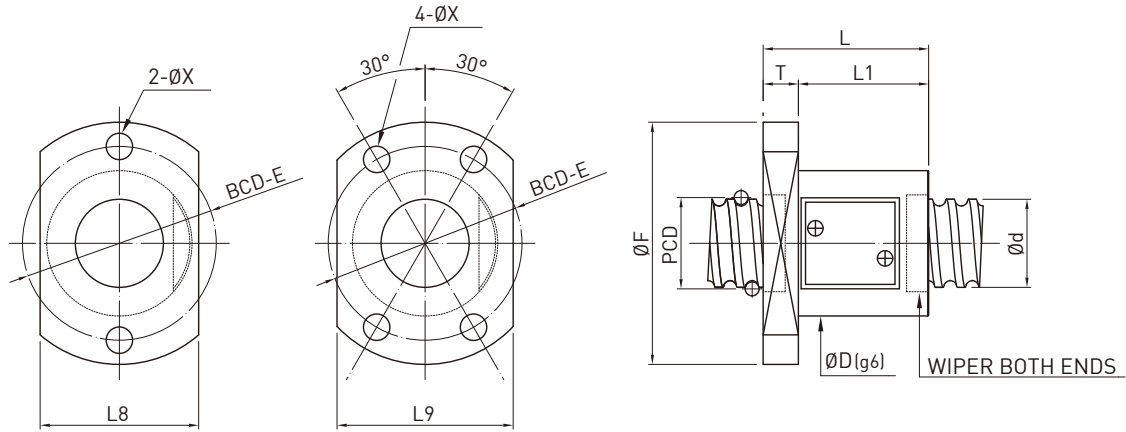
Note: The maximum length for ballscrew is based on grade C7. For rolled ballscrew, the maximum length varies according to lead accuracy grade.

### 7.3 General Type of Rolled Ballscrews

page	General Type		page
155	<p><b>FSZ</b></p>  <p>(F)Flange end, (S)single nut, (Z)Super Z</p>		155
156	<p><b>FSC</b></p>  <p>(F)Flange end, (S)single nut, (C)Super S</p>	<p><b>FST</b></p>  <p>(F)Flange end, (S)single nut, (T)Super T</p>	157
158	<p><b>FSW</b></p>  <p>(F)Flange end, (S)single nut, (W)tube within the nut diameter</p>	<p><b>RSV</b></p>  <p>(R)Round, (S)single nut, (V)tube above the nut diameter</p>	159
160	<p><b>RSB</b></p>  <p>(R)Round, (S)single nut, (B)bonded return tube</p>	<p><b>FSB</b></p>  <p>(F)Flange end, (S)single nut, (B)bonded return tube</p>	161
162	<p><b>FSV</b></p>  <p>(F)Flange end, (S)single nut, (V)tube above the nut diameter</p>	<p><b>SSV</b></p>  <p>(S)Square, (S)single nut, (V)tube above the nut diameter</p>	163
page	High Lead Type		page
164 2 165	<p><b>FSH</b></p>  <p>Large lead, (F)flange mounted, (S)single nut, (H)end cap</p>		164 2 165

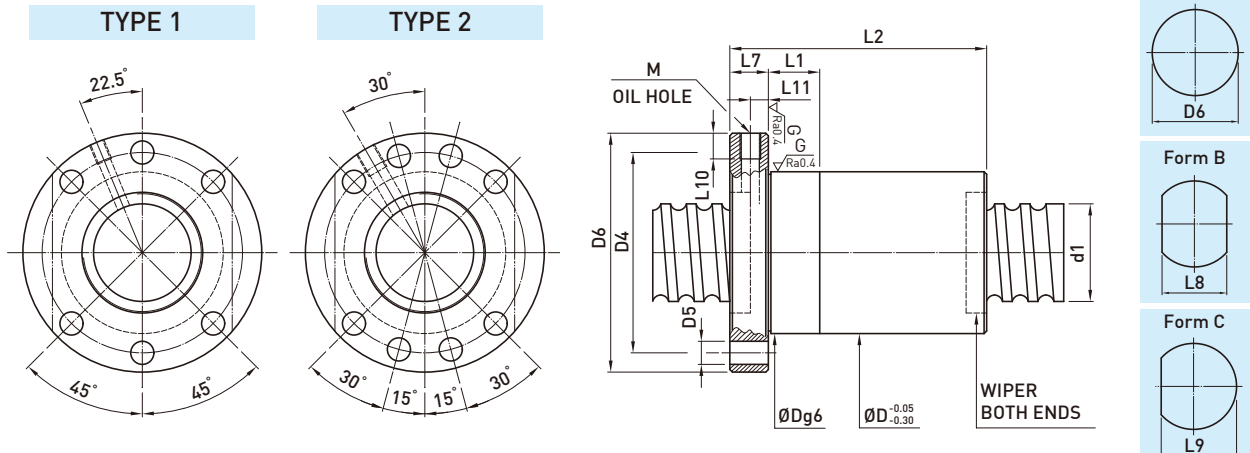
## 7.4 Dimensions for Rolled Ballscrews

### FSZ Type ◀ Standard Product



Model	Size		Ball Dia.	Circuits	Dynamic Load Ca (kgf)	Static Load Coa (kgf)	Nut			Flange				Bolt	
	Nominal Dia.	Lead					D	L	L1	F	T	BCD-E	L8		L9
6-2B1	6	2	1.5	2.6x1	200	340	15.5	20	16	29	4	23	17	18	3.4
8-2B1	8	2	1.5	2.6x1	220	390	15.5	20	16	30	4	23	18	18	3.4
8-2C1	8	2	1.5	3.6x1	290	540	15.5	22	18	30	4	23	18	18	3.4
8-2.5B1	8	2.5	1.5	2.6x1	220	390	15.5	22	18	28	4	21	16	17	3.4
10-2B1	10	2	1.5	2.6x1	250	500	17	24.5	19.5	34	5	26	19	21	4.5
10-2.5B1	10	2.5	2	2.6x1	370	690	20	23	18	37	5	29	21	22	4.5
10-2.5C1	10	2.5	2	3.6x1	490	960	20	25	20	37	5	29	21	22	4.5
10-3C1	10	3	2.381	3.6x1	450	790	21	27.5	22.5	38	5	29	21	22	4.5
10-4B1	10	4	2.381	2.6x1	450	780	21	30	25	38	5	29	21	22	4.5
12-2B1	12	2	1.5	2.6x1	280	630	19.5	22	17	37	5	29	22	24	4.5
12-2C1	12	2	1.5	3.6x1	370	870	19.5	24	19	37	5	29	22	24	4.5
12-2.5B1	12	2.5	2	2.6x1	410	840	22	23	18	38	5	30	22	24	4.5
12-2.5C1	12	2.5	2	3.6x1	540	1160	22	26	21	38	5	30	22	24	4.5
12-4B1	12	4	2.381	2.6x1	510	990	22.5	30	25	40	5	32	22	24	4.5
12-4C1	12	4	2.381	3.6x1	670	1370	22.5	34	29	40	5	32	22	24	4.5
12-5B1	12	5	2.381	2.6x1	510	980	22.5	35	29	40	6	32	27	27	4.5
14-2D1	14	2	1.5	4.6x1	480	1310	22	27	21	43	6	33	24	26	5.5
14-4B1	14	4	2.381	2.6x1	540	1120	24.5	29	23	46	6	35	26	27	5.5
14-4C1	14	4	2.381	3.6x1	720	1560	24.5	33	27	46	6	35	26	27	5.5
16-4B1	16	4	2.381	2.6x1	570	1260	26	31	25	47	6	37	28	28	5.5
16-5B1	16	5	3.175	2.6x1	860	1760	28	34	28	49	6	38	30	30	5.5
16-5C1	16	5	3.175	3.6x1	1140	2430	28	39	33	49	6	38	30	30	5.5
20-5B1	20	5	3.175	2.6x1	970	2230	32.5	35	29	53	6	43	34	34	5.5
20-5C1	20	5	3.175	3.6x1	1280	3100	32.5	40	34	53	6	43	34	34	5.5

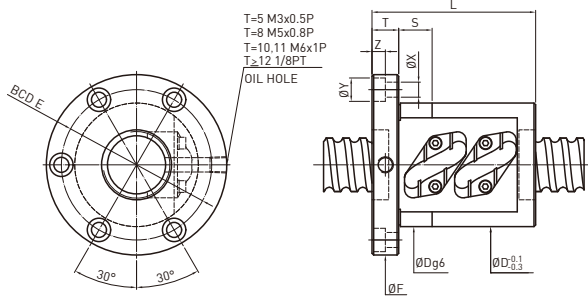
**FSC Type** ◀ Standard Product



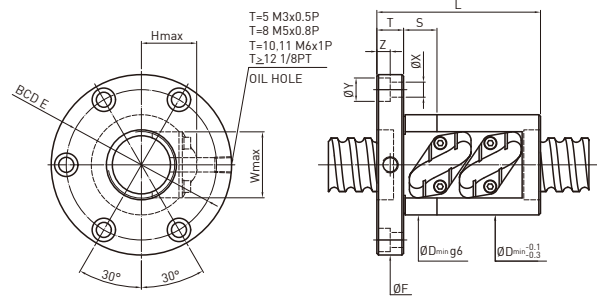
Model	Size		Ball Dia.	Circuits	Dynamic Load C (kgf)	Static Load Co (kgf)	Nut			Flange						Oil Hole			Double starts	Incomplete Thread	
	Nominal Dia.	Lead					D	L1	L2	TYPE	Form A (D6)	Form B (L8)	Form C (L9)	L7	D4	D5	M	L10			L11
14-10K3	14	10	3.175	3	830	1610	28	10	46	1	48	40	44	10	38	5.5	M5x0.8P	6	5		
15-16K2	15	16	3	2	550	1110	28	10	45	1	48	40	44	10	38	5.5	M5x0.8P	6	5	●	
15-20K2	15	20	3.175	2	570	1130	34	10	50	1	57	43	50	10	45	5.5	M5x0.8P	6	5	●	
16-16K2	16	16	3.175	2	620	1240	34	10	47	1	57	43	50	10	45	5.5	M5x0.8P	6	5		●
20-10K4	20	10	3	4	1220	3050	34	10	55	1	57	43	50	10	45	5.5	M5x0.8P	6	5		
20-20K2	20	20	3.175	2	690	1560	36	10	57	1	58	44	51	10	47	6.6	M6x1P	8	5	●	●
20-8K5	20	8	4.763	5	2670	5850	45	10	64	1	65	51	58	10	54	6.6	M6x1P	8	5		●
25-25K2	25	25	3.175	2	760	1950	40	10	69	1	62	48	55	10	51	6.6	M6x1P	8	5	●	
25-6K5	25	6	3.969	5	2440	6470	42	10	50	1	65	51	58	10	54	6.6	M6x1P	8	5		●
25-20K3	25	20	3.969	3	1490	3670	45	10	80	1	65	51	58	10	54	6.6	M6x1P	8	5	●	
25-8K5	25	8	4.763	5	3130	7820	50	10	64	1	70	56	63	10	60	6.6	M6x1P	8	5		●
28-6K5	28	6	3.969	5	2620	7500	50	10	49	1	80	62	71	12	65	6.6	M6x1P	8	6		●
32-20K3	32	20	3.969	3	1710	4890	50	20	87	1	80	62	71	12	65	9	M6x1P	8	6	●	
32-32K2	32	32	3.969	2	1160	3170	50	20	87	1	80	62	71	12	65	9	M6x1P	8	6	●	
32-40K2	32	40	3.969	2	1120	3100	50	20	94	1	80	62	71	12	65	9	M6x1P	8	6	●	
32-25K2	32	25	4.763	2	1490	3760	54	20	72	1	86	65	75.5	14	71	9	M6x1P	8	7	●	●
32-32K2	32	32	4.763	2	1450	3700	54	20	88	1	86	65	75.5	14	71	9	M6x1P	8	7	●	●
32-10K5	32	10	6.35	5	5270	13880	62	10	77	1	92	74	83	14	77	9	M6x1P	8	7		●
32-20K4	32	20	6.35	4	4240	10850	57	20	107	1	87	69	78	14	72	9	M6x1P	8	7	●	●
36-6K5	36	6	3.969	5	2860	9230	56	10	51	2	86	65	75.5	14	71	9	M8x1P	10	7		●
36-10K5	36	10	6.35	5	5400	14800	66	20	80	2	96	73	84.5	14	81	9	M8x1P	10	7		●
36-20K4	36	20	6.35	4	4360	11590	65	20	108	2	95	72	83.5	14	80	9	M8x1P	10	7	●	●
38-40K2	38	40	6.35	2	2330	5910	63	25	102	2	93	70	81.5	14	78	9	M8x1P	10	7	●	●
40-6K5	40	6	3.969	5	3040	10600	63	20	52	2	93	70	81.5	14	78	9	M8x1P	10	7		
40-8K5	40	8	4.763	5	3830	12300	63	20	68	2	93	70	81.5	14	78	9	M8x1P	10	7		●
40-10K5	40	10	6.35	5	5690	16580	70	20	83	2	100	75	87.5	14	85	9	M8x1P	10	7		●
40-16K5	40	16	6.35	5	5670	16490	70	20	108	2	100	75	87.5	14	85	9	M8x1P	10	7		●
40-20K4	40	20	6.35	4	4600	13010	70	20	110	2	100	75	87.5	14	85	9	M8x1P	10	7	●	●
40-40K2	40	40	6.35	2	2390	6260	67	25	101	2	95	72	83.5	14	80	9	M8x1P	10	7	●	●
40-12K5	40	12	7.144	5	6680	18730	75	20	90	2	110	85	97.5	14	93	9	M8x1P	10	7		●
45-10K5	45	10	6.35	5	6130	19180	75	20	78	2	110	85	97.5	16	93	11	M8x1P	10	8		●
45-12K5	45	12	7.144	5	7040	20960	80	20	88	2	117	92	104.5	16	100	11	M8x1P	10	8		●
45-20K4	45	20	7.144	4	5720	16490	80	25	113	2	117	92	104.5	16	100	11	M8x1P	10	8		●
50-10K5	50	10	6.35	5	6330	20980	82	25	80	2	118	92	105	16	100	11	M8x1P	10	8		●
50-16K5	50	16	6.35	5	6310	20910	82	25	109	2	118	92	105	16	100	11	M8x1P	10	8		●
50-12K5	50	12	7.938	5	8760	27250	85	25	97	2	121	95	108	16	103	11	M8x1P	10	8		●
50-50K2	50	50	7.938	2	3580	9800	85	25	124	2	121	95	108	16	103	11	M8x1P	10	8	●	●
50-20K4	50	20	9.525	4	8850	24750	88	25	120	2	121	95	108	16	103	11	M8x1P	10	8		●
63-10K5	63	10	6.35	5	6950	26280	95	25	84	2	135	100	117.5	20	115	13.5	M8x1P	10	10		●
63-40K2	63	40	6.35	2	2980	9990	95	25	110	2	135	100	117.5	20	115	13.5	M8x1P	10	10	●	
63-12K5	63	12	7.938	5	9690	34130	98	25	94	2	138	103	120.5	20	118	13.5	M8x1P	10	10		●
63-16K4	63	16	9.525	4	10180	32600	109	25	100	2	147	112	129.5	20	127	13.5	M8x1P	10	10		●
63-20K5	63	20	9.525	5	12430	41100	107	25	140	2	147	112	129.5	20	127	13.5	M8x1P	10	10		●
80-10K5	80	10	6.35	5	7760	34180	110	25	80	2	150	115	132.5	25	130	13.5	M8x1P	10	12.5		●
80-16K4	80	16	9.525	4	11140	40490	125	25	105	2	170	135	152.5	25	150	13.5	M8x1P	10	12.5		●
80-20K4	80	20	9.525	4	11140	40440	120	25	122	2	165	130	147.5	25	145	13.5	M8x1P	10	12.5		●



**FST Type** ◀ Standard Product



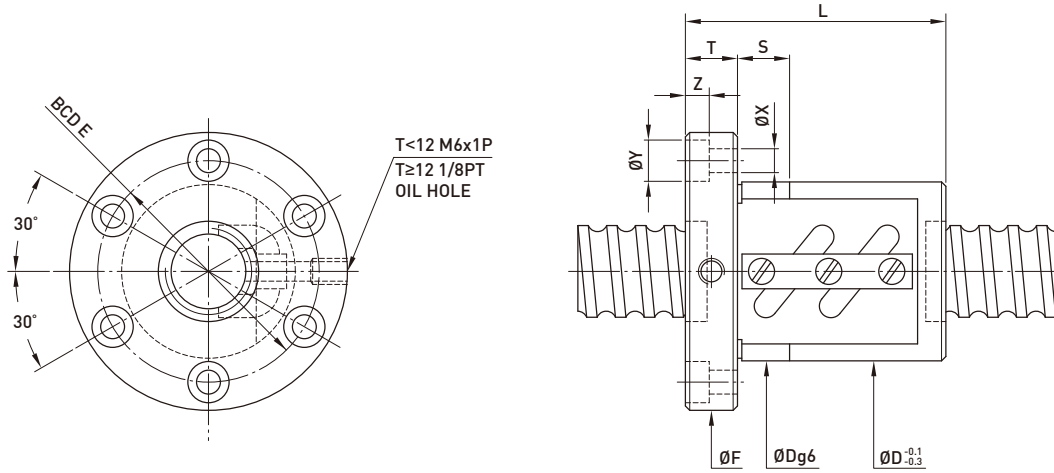
Re-circulation plate below the nut body



Re-circulation plate above the nut body

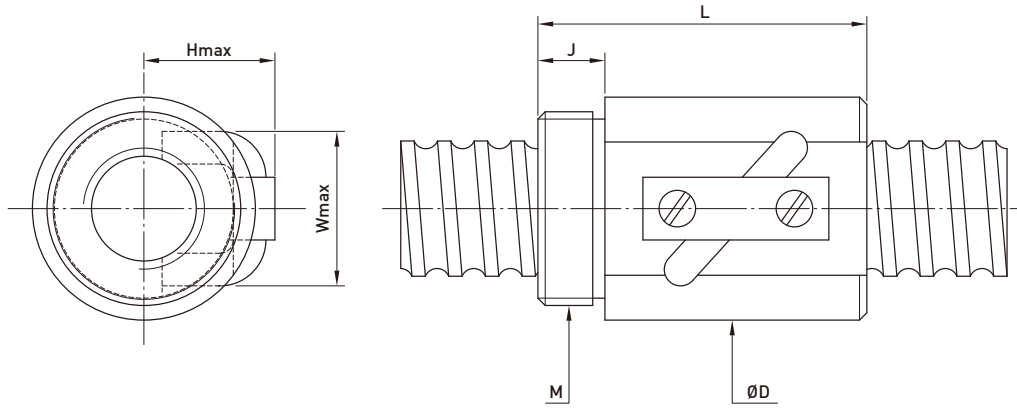
Model	Size		Ball Dia.	Circuits	Dynamic Load C (kgf)	Static Load Co (kgf)	Nut			Flange			Return Tube		Bolt			Fit
	Nominal Dia.	Lead					D	D <sub>min</sub>	L	F	T	BCD-E	W	H	X	Y	Z	
R8-3A1	8	3	2	1.6x1	200	310	21	17	28	36	5	28	14	12	4.5	0	0	0
R8-5B1	8	5	2	2.6X1	320	540	24	18	37	44	8	34	15	13	4.5	8	4	0
R10-4B1	10	4	2	2.6X1	350	650	24	20	39	46	10	36	16	13	4.5	8	4	10
R10-5A1	10	5	2	1.6x1	230	390	23	19	30	46	10	36	15	13	4.5	8	4	10
R10-4B1	10	4	2.381	2.6X1	450	780	27	23	41	49	10	37	17	16	4.5	8	4	10
R12-5B1	12	5	2.381	2.6X1	510	980	31	24	40	50	10	40	18	18	4.5	8	4	12
R12-6B1	12	6	2.381	2.6X1	500	980	29	24	43	50	10	40	20	16	4.5	8	4	12
R12-10A1	12	10	2.381	1.6x1	320	590	30	24	42	50	10	40	17	17	4.5	8	4	12
R12-10B1	12	10	2.381	2.6X1	490	960	31	25	50	50	10	40	19	18	4.5	8	4	12
R14-4B1	14	4	2.381	2.6X1	540	1120	32	26	41	52	10	42	20	17	4.5	8	4	12
R15-10B1	15	10	3.175	2.6X1	810	1620	34	30	55	57	11	45	24	19	5.5	9.5	5.5	12
R15-20A1	15	20	3.175	1.6x1	520	1000	40	32	64	60	11	47	25	22	5.5	9.5	5.5	12
R16-5B1	16	5	3.175	2.6X1	860	1760	38	31	45	64	12	51	24	20	5.5	9.5	5.5	12
R16-5B2	16	5	3.175	2.6X2	1560	3520	38	31	60	64	12	51	24	20	5.5	9.5	5.5	12
R20-5B1	20	5	3.175	2.6X1	970	2230	42	37	45	68	12	55	26	23	5.5	9.5	5.5	12
R20-5B2	20	5	3.175	2.6X2	1760	4470	42	37	60	68	12	55	26	23	5.5	9.5	5.5	12
R25-4B2	25	4	2.381	2.6X2	1290	4130	45	41	48	69	11	57	29	23	5.5	9.5	5.5	12
R25-5B2	25	5	3.175	2.6X2	1950	5670	49	44	60	74	12	62	33	25	5.5	9.5	5.5	12
R25-25A1	25	25	3.969	1.6X1	930	2170	55	50	78	82	12	69	37	29	6.6	11	6.5	12
R25-10A2	25	10	4.763	1.6X2	2200	5190	55	49	75	86	15	73	35	30	6.6	11	6.5	12
R25-10B1	25	10	4.763	2.6X1	1840	4220	55	49	65	86	15	73	35	30	6.6	11	6.5	12
R25-10B2	25	10	4.763	2.6X2	3340	8440	55	49	97	86	15	73	35	30	6.6	11	6.5	12
R28-5B1	28	5	3.175	2.6X1	1130	3190	54	48	45	85	12	69	34	28	6.6	11	6.5	12
R28-5B2	28	5	3.175	2.6X2	2050	6390	54	48	60	85	12	69	34	28	6.6	11	6.5	12
R32-4B2	32	4	2.381	2.6X2	1430	5340	52	49	55	84	12	71	34	27	6.6	11	6.5	12
R32-5B2	32	5	3.175	2.6X2	2180	7340	57	52	60	84	12	71	34	29	6.6	11	6.5	12
R32-6B2	32	6	3.969	2.6X2	2970	9240	60	56	63	88	12	75	39	31	6.6	11	6.5	12
R32-10B2	32	10	3.969	2.6X2	2890	8850	58	54	87	84	12	71	38	31	6.6	11	6.5	12
R32-8B2	32	8	4.763	2.6X2	3710	10640	62	58	86	96	16	78	40	33	9	14	8.5	15
R32-25B1	32	25	4.763	2.6X1	2040	5430	63	58	110	102	16	84	41	32	9	14	8.5	15
R32-10B2	32	10	6.35	2.6X2	5640	15040	74	65	98	108	16	90	48	39	9	14	8.5	15
R36-10B2	36	10	6.35	2.6X2	5790	16030	72	65	102	125	18	98	45	38	11	17.5	11	15
R36-20B1	36	20	6.35	2.6X1	3140	7930	76	66	100	120	18	98	47	39	11	17.5	11	15
R40-8B2	40	8	4.763	2.6X2	4100	13320	75	72	86	108	16	90	47	37	9	14	8.5	15
R40-10B2	40	10	6.35	2.6X2	6100	17960	78	74	102	125	18	104	53	41	11	17.5	11	15
R40-16B2	40	16	6.35	2.6X2	6070	17860	81	73	139	128	18	106	48	41	11	17.5	11	15
R40-12B1	40	12	7.144	2.6X1	3940	10140	82	74	81	128	18	106	51	42	11	17.5	11	20
R40-12B2	40	12	7.144	2.6X2	7150	20290	82	74	117	128	18	106	51	42	11	17.5	11	20
R45-10B1	45	10	6.35	2.6X1	3620	10390	84	77	74	132	18	110	53	44	11	17.5	11	15
R45-10B2	45	10	6.35	2.6X2	6570	20780	84	77	104	132	18	110	53	44	11	17.5	11	15
R55-10B2	55	10	6.35	2.6X2	7000	24650	95	92	103	144	18	122	62	48	11	17.5	11	20

**FSW Type** ◀ Standard Product

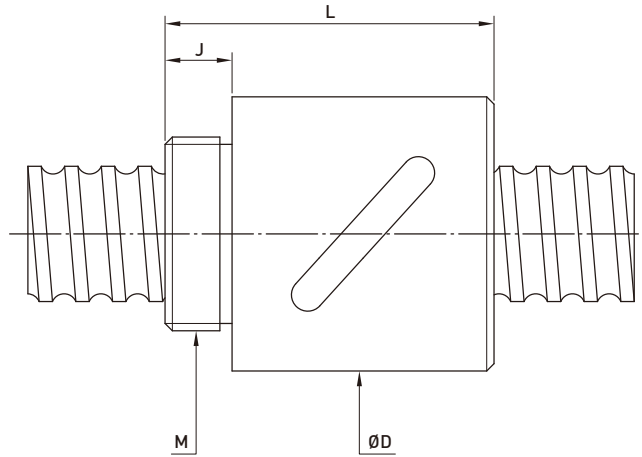


Model	Size		Ball Dia.	Circuits	Dynamic Load C (kgf)	Static Load Co (kgf)	Nut		Flange							Fit
	Nominal Dia.	Lead					L	D	F	BCD-E	T	Bolt				
												X	Y	Z	S	
8-2.5B1	8	2.5	2.000	2.5x1	218	317	34	26	47	35	8	5.5	9.5	5.5	8	
10-2.5B1	10	2.5	2.000	2.5x1	252	405	34	28	52	38	8	5.5	9.5	5.5	8	
10-4B1	10	4	2.381	2.5x1	304	466	41	30	53	41	10	5.5	9.5	5.5	10	
12-4B1	12	4	2.381	2.5x1	344	574	41	30	50	40	10	5.5	9.5	5.5	12	
16-4B1	16	4	2.381	2.5x1	390	744	39	36	59	48	10	5.5	9.5	5.5	12	
16-5B1	16	5	3.175	2.5x1	678	1226	45	40	64	51	12	5.5	9.5	5.5	12	
16-10B1	16	10	3.175	2.5x1	667	1194	60	42	66	54	10	5.5	9.5	5.5	12	
20-5B1	20	5	3.175	2.5x1	746	1526	45	44	68	55	12	5.5	9.5	5.5	12	
20-5B2	20	5	3.175	2.5x2	1353	3052	60	44	68	55	12	5.5	9.5	5.5	12	
20-5C1	20	5	3.175	3.5x1	1001	2149	50	44	68	55	12	5.5	9.5	5.5	12	
20-10B1	20	10	4.763	2.5x1	1280	2314	54	46	74	59	13	6.6	11	6.5	12	
25-5B2	25	5	3.175	2.5x2	1534	3975	60	50	74	62	12	5.5	9.5	5.5	12	
25-10B1	25	10	4.763	2.5x1	1459	2983	65	60	86	73	16	6.6	11	6.5	12	
25-10B2	25	10	4.763	2.5x2	2652	5966	97	58	85	71	15	6.6	11	6.5	12	
28-5B1	28	5	3.175	2.5x1	893	2252	43	54	76	64	12	6.6	11	6.5	12	
28-5B2	28	5	3.175	2.5x2	1621	4503	58	54	76	64	12	6.6	11	6.5	12	
28-6A2	28	6	3.969	1.5x2	1395	3337	55	55	85	65	12	6.6	11	6.5	12	
32-5B2	32	5	3.175	2.5x2	1702	5098	60	58	84	71	12	6.6	11	6.5	12	
32-5C1	32	5	3.175	3.5x1	1200	3205	50	58	84	71	12	6.6	11	6.5	12	
32-6B2	32	6	3.969	2.5x2	2328	6317	63	62	89	75	12	6.6	11	6.5	12	
32-10B1	32	10	6.350	2.5x1	2416	5172	68	74	108	90	16	9	14	8.5	15	
32-10B2	32	10	6.350	2.5x2	4379	10345	98	74	108	90	16	9	14	8.5	15	
40-5B2	40	5	3.175	2.5x2	1859	6354	65	68	102	84	16	9	14	8.5	15	
40-6B2	40	6	3.969	2.5x2	2542	7967	72	70	104	86	16	9	14	8.5	15	
40-10B2	40	10	6.350	2.5x2	4812	12732	102	84	125	104	18	11	17.5	11	15	
40-12B2	40	12	7.144	2.5x2	5675	14433	117	90	130	110	18	11	17.5	11	15	
40-16A2	40	16	6.350	1.5x2	3059	7486	118	86	128	106	15	11	17.5	11	15	
40-16B1	40	16	6.350	2.5x1	2660	6363	102	86	128	106	15	11	17.5	11	15	
50-6B3	50	6	3.969	2.5x3	3954	15048	93	84	118	100	16	9	14	8.5	15	
50-6C2	50	6	3.969	3.5x2	3726	14045	80	84	118	100	18	9	14	8.5	15	
50-12B2	50	12	7.938	2.5x2	7247	20315	123	100	152	125	22	13	20	13	20	
50-20A2	50	20	6.350	1.5x2	3436	9597	114	94	135	114	18	11	17.5	11	15	
63-10B2	63	10	6.350	2.5x2	5873	20135	130	110	154	130	22	11	17.5	11	15	
63-10B3	63	10	6.350	2.5x3	8324	30202	137	110	152	130	20	11	17.5	11	15	
63-10C2	63	10	6.350	3.5x2	7868	28291	128	110	152	130	20	11	17.5	11	15	
63-20B2	63	20	9.525	2.5x2	13494	42233	176	124	172	147	22	13	20	13	20	
80-10B3	80	10	6.350	2.5x3	9189	38525	137	130	176	152	22	13	20	13	20	
80-10B4	80	10	6.350	2.5x4	11768	51366	169	130	178	152	22	13	20	13	20	
80-12B3	80	12	7.144	2.5x3	10811	43246	159	136	185	159	22	13	20	13	20	
80-16B3	80	16	9.525	2.5x3	21186	80675	204	145	192	166	28	13	20	13	25	
80-20B2	80	20	9.525	2.5x2	14976	53774	185	144	210	174	28	18	26	17.5	25	

**RSV Type** ◀ Standard Product

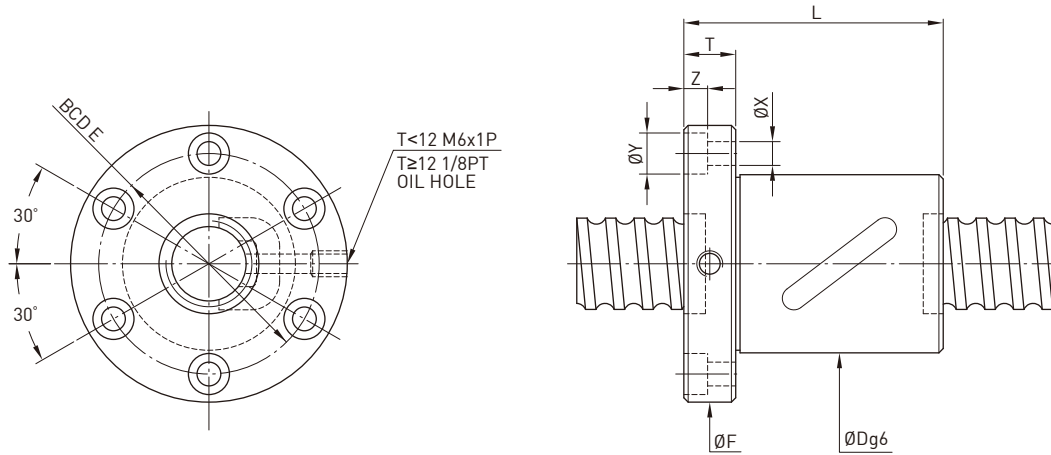


Model	Size		Ball Dia.	Circuits	Dynamic Load C (kgf)	Static Load Co (kgf)	Nut		Mounting Thread	Mounting Thread Length	Return Tube Width	Return Tube Height
	Nominal Dia.	Lead					L	D				
8-2.5B1	8	2.5	2.000	2.5x1	218	317	28	18	M18x1P	10	15	15
10-2.5B1	10	2.5	2.000	2.5x1	252	405	30	20	M18x1P	10	17	17
10-4B1	10	4	2.381	2.5x1	305	466	32	23	M22x1P	10	20	20
12-4B1	12	4	2.381	2.5x1	344	574	32	25	M24x1P	10	22	21
16-5B1	16	5	3.175	2.5x1	679	1226	40	31	M28x1.5P	10	23	25
16-5.08B1	16	5.08	3.175	2.5x1	678	1226	45	30	M25x1.5P	13	24	21
16-5.08C1	16	5.08	3.175	3.5x1	905	1717	45	30	M25x1.5P	13	24	21
20-5C1	20	5	3.175	3.5x1	1001	2149	45	35	M32x1.5P	12	27	22
25-5B2	25	5	3.175	2.5x2	1534	3975	58	40	M38x1.5P	16	31	25
25-10B2	25	10	4.763	2.5x2	2663	6123	94	45	M38x1.5P	16	38	32
32-5B2	32	5	3.175	2.5x2	1702	5098	60	54	M50x2P	18	38	29
32-10B2	32	10	6.350	2.5x2	4379	10345	95	58	M52x2P	18	44	36
40-10B2	40	10	6.350	2.5x2	4812	12732	102	65	M60x2P	25	52	41
50-10C2	50	10	6.350	3.5x2	7146	22477	130	80	M75x2P	30	62	46
63-10C2	63	10	6.350	3.5x2	7869	28290	132	95	M90x2P	40	74	52
63-12C3	63	12	7.938	3.5x3	15349	53903	205	102	M95x3P	35	75	59

**RSB Type** ◀ Standard Product


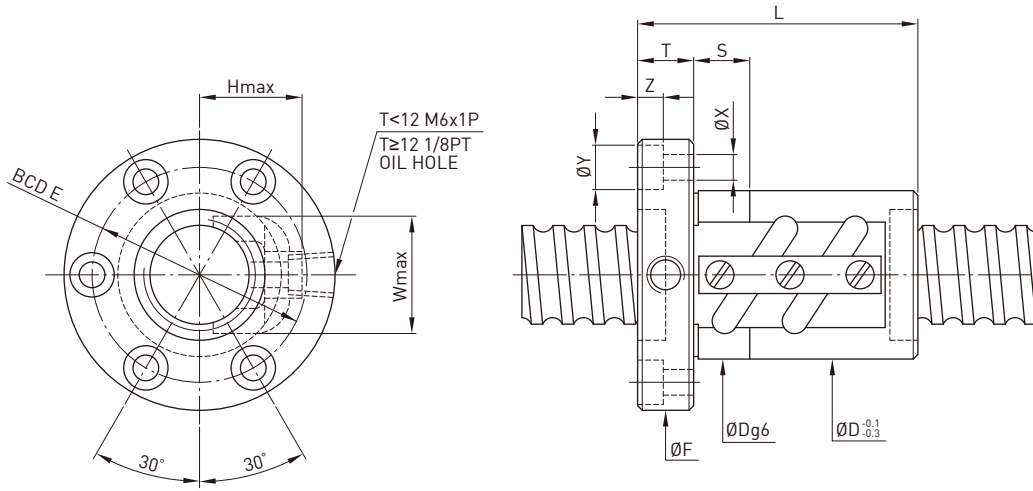
Model	Size		Ball Dia.	Circuits	Dynamic Load C (kgf)	Static Load Co (kgf)	Nut		Mounting Thread	Mounting Thread Length
	Nominal Dia.	Lead					L	D		
8-2.5B1	8	2.5	2.000	2.5x1	218	317	24	22	M18x1P	7.5
10-2.5B1	10	2.5	2.000	2.5x1	252	405	24	24	M20x1P	7.5
10-4B1	10	4	2.381	2.5x1	305	466	34	26	M22x1P	10
12-4B1	12	4	2.381	2.5x1	344	574	34	25.5	M20x1P	10
12-5B1	12	5	2.000	2.5x1	275	481	38	26	M20x1P	8
16-5B1	16	5	3.175	2.5x1	678	1226	42	36	M30x1.5P	12
16-10B1	16	10	3.175	2.5x1	667	1194	57	36	M30x1.5P	12
20-5B1	20	5	3.175	2.5x1	746	1526	45	38	M35x1.5P	15
20-5C1	20	5	3.175	3.5x1	1001	2149	54	40	M36x1.5P	14
20-10B1	20	10	4.763	2.5x1	1280	2314	60	52	M40x1.5P	15
25-5B2	25	5	3.175	2.5x2	1534	3975	69	46	M42x1.5P	19
32-5B2	32	5	3.175	2.5x2	1702	5098	69	54	M50x2P	19
32-10B2	32	10	6.350	2.5x2	4384	10345	105	68	M62x2P	19
40-5B2	40	5	3.175	2.5x2	1859	6354	62	66	M62x2P	19
40-10B2	40	10	6.350	2.5x2	4812	12732	110	76	M70x2P	24
50-5B2	50	5	3.175	2.5x2	2004	7941	70	79	M70x2P	24
50-10C2	50	10	6.350	3.5x2	7145	22477	135	88	M82x2P	29
63-10C2	63	10	6.350	3.5x2	7868	28291	135	104	M95x2P	29

**FSB Type** ◀ Standard Product



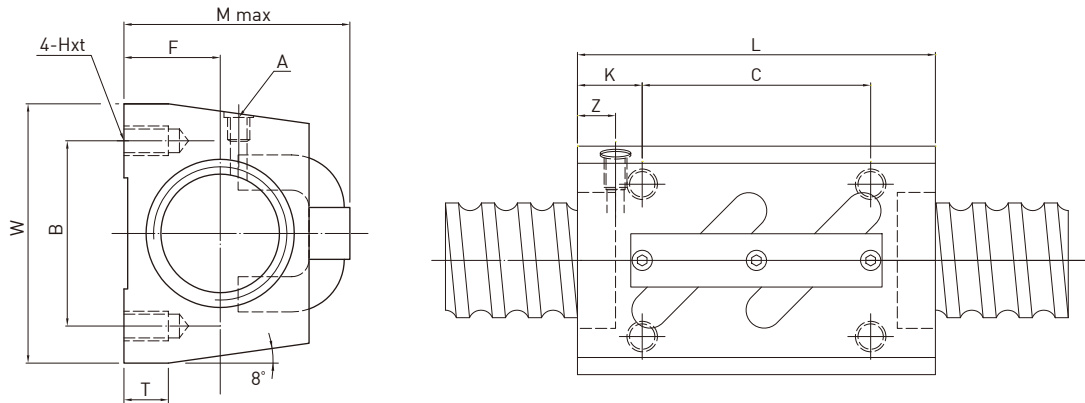
Model	Size		Ball Dia.	Circuits	Dynamic Load C (kgf)	Static Load Co (kgf)	Nut		Flange					
	Nominal Dia.	Lead					L	D	F	BCD-E	T	Bolt		
												X	Y	Z
8-2.5B1	8	2.5	2.000	2.5x1	218	317	34	22	43	31	8	5.5	9.5	5.5
10-2.5B1	10	2.5	2.000	2.5x1	252	405	34	24	46	34	8	5.5	9.5	5.5
10-4B1	10	4	2.381	2.5x1	304	466	41	26	49	37	10	5.5	9.5	5.5
12-4B1	12	4	2.381	2.5x1	344	574	41	28	51	39	10	5.5	9.5	5.5
12-4C1	12	4	2.381	3.5x1	459	803	44	30	50	40	10	4.5	8	4.5
14-4C1	14	4	2.381	3.5x1	498	943	40	31	50	40	10	4.5	8	4.5
14-5B1	14	5	3.175	2.5x1	636	1095	40	32	50	40	10	4.5	8	4.5
16-4B1	16	4	2.381	2.5x1	390	744	41	35	56	43	10	5.5	9.5	5.5
16-5B1	16	5	3.175	2.5x1	679	1226	43	36	60	47	10	5.5	9.5	5.5
16-10B1	16	10	3.175	2.5x1	667	1194	52	36	60	47	12	6.6	11	6.5
20-4C1	20	4	2.381	3.5x1	582	1329	40	40	60	50	10	4.5	8	4.5
20-5B1	20	5	3.175	2.5x1	745	1526	40	40	60	50	10	4.5	8	4.5
20-5C1	20	5	3.175	3.5x1	1001	2149	50	40	64	51	12	5.5	9.5	5.5
20-10B1	20	10	4.763	2.5x1	1280	2314	61	52	82	67	12	6.6	11	6.5
25-5B1	25	5	3.175	2.5x1	845	1987	40	43	67	55	10	5.5	9.5	5.5
25-5B2	25	5	3.175	2.5x2	1534	3975	60	46	70	58	12	5.5	9.5	5.5
25-10B2	25	10	4.763	2.5x2	2652	5966	98	60	96	78	15	5.5	9.5	5.5
32-5B2	32	5	3.175	2.5x2	1702	5098	60	54	80	67	12	6.6	11	6.5
32-10B1	32	10	6.350	2.5x1	2416	5172	68	68	102	84	16	9	14	8.5
32-10B2	32	10	6.350	2.5x2	4379	10345	98	68	102	84	16	9	14	8.5
40-10B2	40	10	6.350	2.5x2	4812	12732	102	76	117	96	18	11	17.5	11
50-10C2	50	10	6.350	3.5x2	7146	22477	126	88	129	108	18	11	17.5	11
63-10C2	63	10	6.350	3.5x2	7869	28290	128	104	146	124	20	11	17.5	11

**FSV Type** ◀ Standard Product



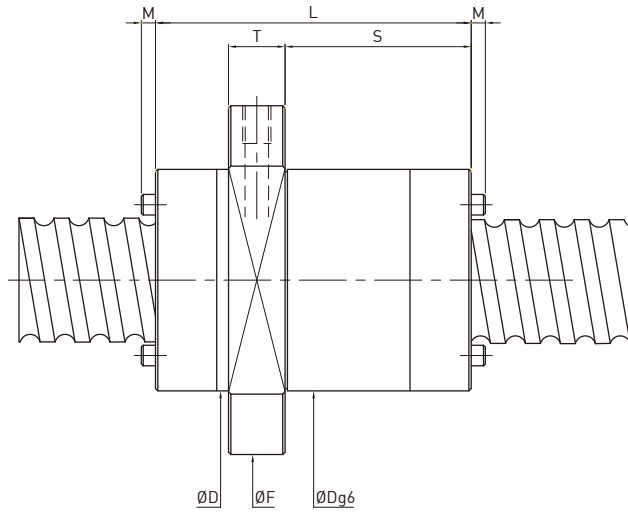
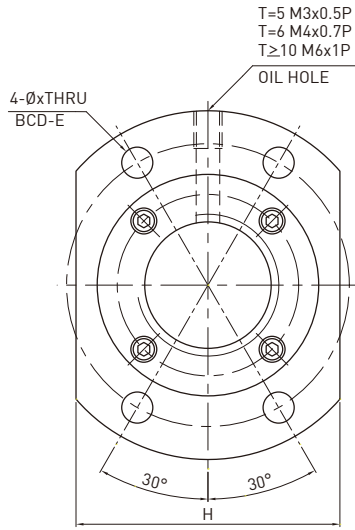
Model	Size		Ball Dia.	Circuits	Dynamic Load C (kgf)	Static Load Co (kgf)	Nut		Flange		Return Tube			Bolt		Fit	
	Nominal Dia.	Lead					L	D	F	BCD-E	T	X	Y	Z	W		H
8-2.5B1	8	2.5	2.000	2.5x1	218	317	34	18	41	29	8	5.5	9.5	5.5	15	15	8
10-2.5B1	10	2.5	2.000	2.5x1	252	405	34	20	43	31	8	5.5	9.5	5.5	17	17	8
10-4B1	10	4	2.381	2.5x1	304	466	41	23	46	34	10	5.5	9.5	5.5	20	20	10
12-4B1	12	4	2.381	2.5x1	344	574	41	25	48	36	10	5.5	9.5	5.5	22	21	12
16-5B1	16	5	3.175	2.5x1	679	1226	43	31	55	42	10	5.5	9.5	5.5	23	25	12
16-10B1	16	10	3.175	2.5x1	667	1194	54	30	53	41	10	5.5	9.5	5.5	23	22	12
20-5B1	20	5	3.175	1.5x1	746	1526	46	34	58	46	12	5.5	9.5	5.5	28	25	12
20-5B2	20	5	3.175	2.5x2	1353	3052	60	34	58	46	12	5.5	9.5	5.5	28	25	12
20-5C1	20	5	3.175	3.5x1	1001	2149	50	35	59	46	12	5.5	9.5	5.5	27	22	12
25-5B2	25	5	3.175	2.5x2	1534	3975	60	40	64	52	12	5.5	9.5	5.5	31	25	12
32-5B2	32	5	6.350	2.5x2	1702	5098	60	54	80	67	12	6.6	11	6.5	38	29	12
32-10B2	32	10	6.350	2.5x2	4379	10345	98	58	92	74	16	9	14	8.5	44	36	15
32-20B1	32	20	6.350	2.5x1	2415	5173	100	54	88	70	15	9	14	8.5	43	35	15
40-5B2	40	5	3.175	2.5x2	1859	6354	65	58	92	72	16	9	14	8.5	46	34	15
40-10B2	40	10	6.350	2.5x2	4812	12732	102	65	106	85	18	11	17.5	11	52	41	15
40-10C2	40	10	6.350	3.5x2	6473	17975	120	65	114	90	20	11	17.5	11	53	42	15
50-10C2	50	10	6.350	3.5x2	7146	22477	126	80	121	100	18	11	17.5	11	62	46	20
63-10C2	63	10	6.350	3.5x2	7869	28290	128	95	137	115	20	11	17.5	11	74	52	20
63-16B2	63	16	9.525	2.5x2	13676	43030	153	100	150	123	22	13	20	13	78	62	20
80-10B3	80	10	6.350	2.5x3	9189	38525	139	115	163	137	22	14	20	13	90	64	20
80-20B2	80	20	9.525	2.5x2	14976	53774	225	125	190	152	28	18	26	17.5	95	75	20
80-20B3	80	20	9.525	2.5x3	21224	80661	245	125	190	152	28	18	26	17.5	95	72	20

**SSV Type** ◀ Standard Product



Model	Size		Ball Dia.	Circuits	Dynamic Load C (kgf)	Static Load Co (kgf)	W	Hxt	F	L	B	C	K	T	A	M (max)	Z
	Nominal Dia.	Lead															
14-4B1	14	4	2.381	2.5x1	376	682	34	M4x7	13	35	26	22	6.5	6	M6	30	6
14-4C1	14	4	2.381	3.5x1	498	943	34	M4x7	13	35	26	22	6.5	6	M6	30	6
14-5B1	14	5	3.175	2.5x1	636	1095	34	M4x7	13	35	26	22	6.5	6	M6	31	6
16-5B1	16	5	3.175	2.5x1	679	1226	42	M5x8	16	36	32	22	7	21.5	M6	36	6
20-5B1	20	5	3.175	2.5x1	745	1526	48	M6x10	17	35	35	22	6.5	9	M6	39	5
20-10B1	20	10	4.763	2.5x1	1280	2314	48	M6x10	18	58	35	35	11.5	9	M6	46	10
25-5B1	25	5	3.175	2.5x1	845	1987	60	M8x12	20	35	40	22	6.5	9.5	M6	45	7
25-10B2	25	10	6.350	2.5x2	3816	7968	60	M8x12	23	94	40	60	17	10	M6	54	10
28-6B1	28	6	3.969	2.5x1	1203	2796	60	M8x12	22	42	40	18	12	10	M6	50	8
28-6B2	28	6	3.969	2.5x2	2184	5592	60	M8x12	22	67	40	40	13.5	10	M6	50	8
32-10B1	32	10	6.350	2.5x1	2413	5172	70	M8x12	26	64	50	45	9.5	12	M6	62	10
32-10B2	32	10	6.350	2.5x2	4379	10345	70	M8x12	26	94	50	60	17	12	M6	67	10
36-10B2	36	10	6.350	2.5x2	4592	11403	86	M10x16	29	96	60	60	18	17	M6	67	11
45-12B2	45	12	7.144	2.5x2	5963	16110	100	M12x20	36	115	75	75	20	20.5	M6	80	13

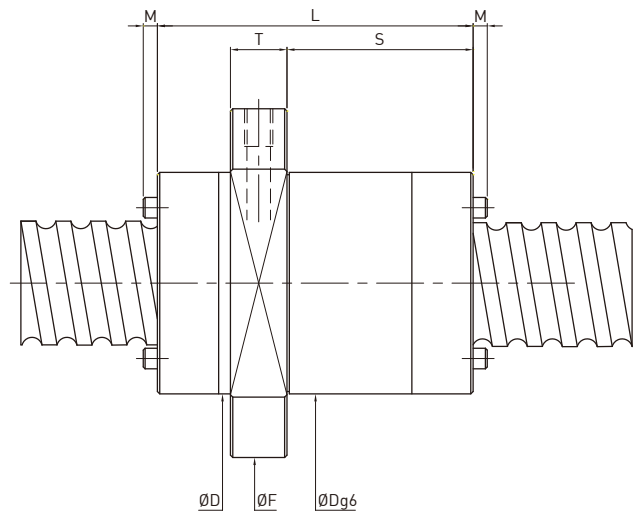
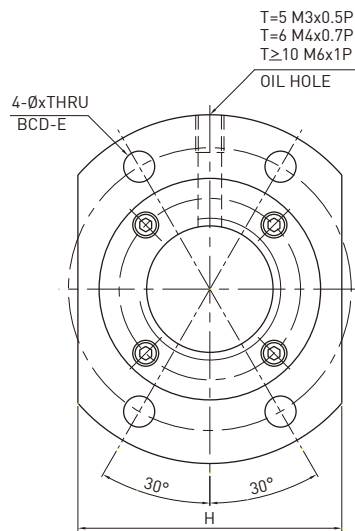
**DFSH Type** ◀ High Lead



Model	Size		Ball Dia.	Circuits	Dynamic Load C (kgf)	Static Load Co (kgf)	Nut		Flange				Bolt X	Fit	
	Nominal Dia.	Lead					D	L	F	T	BCD-E	H		S	M
10-20V2	10	20	1.5	0.8x2	100	240	20	23	37	5	29	22	4.5	13	0
12-12S2	12	12	2.381	1.8x2	460	1030	26	30	44	6	35	28	4.5	15	0
15-10U2	15	10	3.175	2.8x2	1090	2570	34	44	57	10	45	40	5.5	24	0
15-30S2	15	30	3.175	1.8x2	700	1720	34	63	51	10	42	36	4.5	43	0
16-16S2	16	16	3.175	1.8x2	780	1830	32	38	53	10	42	38	4.5	21.5	0
16-16S2	16	16	3.175	1.8x2	780	1830	32	48	53	10	42	38	4.5	26	0
16-16S2	16	16	3.175	1.8x2	780	1830	33	48	58	10	45	38	6.6	26	0
16-32V2	16	32	3.175	0.8x2	340	760	34	34	55	10	45	36	5.5	13.5	0
20-20S2	20	20	3.175	1.8x2	870	2290	38	45	62	10	50	46	5.5	23.6	0
20-20S2	20	20	3.175	1.8x2	870	2290	38	58	62	10	50	46	5.5	32.5	3
20-40V2	20	40	3.175	0.8x2	390	980	35	41	58	10	48	40	5.5	20	0
25-20S2	25	20	3.969	1.8x2	1280	3470	47	53	74	12	60	49	6.6	30	0
25-25S2	25	25	3.969	1.8x2	1300	3600	47	55	74	12	60	56	6.6	35	0
25-25S2	25	25	3.969	1.8x2	1300	3600	47	67	74	12	60	56	6.6	39.5	3
32-32S2	32	32	4.763	1.8x2	1840	5450	58	70	92	12	74	60	9	42	0
32-32S2	32	32	4.763	1.8x2	1840	5450	58	85	92	15	74	68	9	48	0
32-64V2	32	64	4.763	0.8x2	860	2460	58	62	89	15	71	58	9	37	0
38-40S2	38	40	3.969	1.8x2	1530	5360	63	85	93	14	78	70	9	64	0
40-40S2	40	40	6.350	1.8x2	3030	9220	72	102	114	17	93	84	11	60	0
50-50S2	50	50	7.938	1.8x2	4520	14440	90	107	135	20	112	92	14	66.5	0
50-50S2	50	50	7.938	1.8x2	4520	14440	90	125	135	20	112	104	14	83.5	0



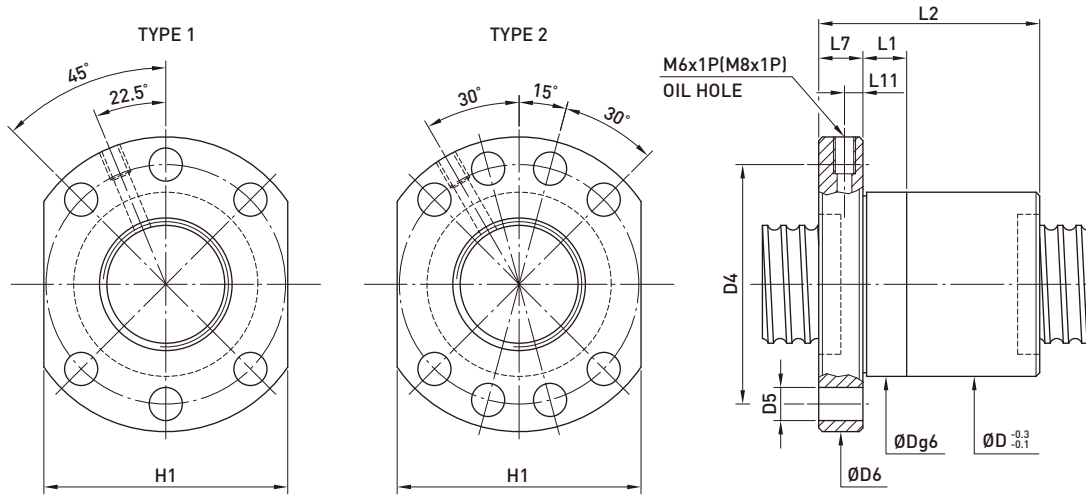
**QFSH Type** ◀ High Lead



Model	Size		Ball Dia.	Circuits	Dynamic Load C (kgf)	Static Load Co (kgf)	Nut		Flange				Bolt X	Fit	
	Nominal Dia.	Lead					D	L	F	T	BCD-E	H		S	M
10-20V4	10	20	1.5	0.8x4	190	480	20	23	37	5	29	22	4.5	13	0
12-12S4	12	12	2.381	1.8x4	840	2060	26	30	44	6	35	28	4.5	15	0
15-30S4	15	30	3.175	1.8x4	1280	3450	34	63	51	10	42	36	4.5	43	0
16-16S4	16	16	3.175	1.8x4	1420	3670	32	38	53	10	42	38	4.5	21.5	0
16-16S4	16	16	3.175	1.8x4	1420	3670	32	48	53	10	42	38	4.5	26	0
16-16S4	16	16	3.175	1.8x4	1420	3670	33	48	58	10	45	38	6.6	26	0
16-32V4	16	32	3.175	0.8x4	620	1520	34	34	55	10	45	36	5.5	13.5	0
20-20S4	20	20	3.175	1.8x4	1580	4590	38	45	62	10	50	46	5.5	23.6	0
20-20S4	20	20	3.175	1.8x4	1580	4590	38	58	62	10	50	46	5.5	32.5	3
20-40V4	20	40	3.175	0.8x4	710	1970	35	41	58	10	48	40	5.5	20	0
25-25S4	25	25	3.969	1.8x4	2360	7200	47	55	74	12	60	56	6.6	35	0
25-25S4	25	25	3.969	1.8x4	2360	7200	47	67	74	12	60	56	6.6	39.5	3
32-32S4	32	32	4.763	1.8x4	3340	10900	58	70	92	12	74	60	9	42	0
32-32S4	32	32	4.763	1.8x4	3340	10900	58	85	92	15	74	68	9	48	0
32-64V4	32	64	4.763	0.8x4	1560	4930	58	62	89	15	71	58	9	37	0
38-40S4	38	40	3.969	1.8x4	2790	10720	63	85	93	14	78	70	9	64	0
40-40S4	40	40	6.350	1.8x4	5500	18450	72	102	114	17	93	84	11	60	0
50-50S4	50	50	7.938	1.8x4	8220	28880	90	107	135	20	112	92	14	66.5	0
50-50S4	50	50	7.938	1.8x4	8220	28880	90	125	135	20	112	104	14	83.5	0

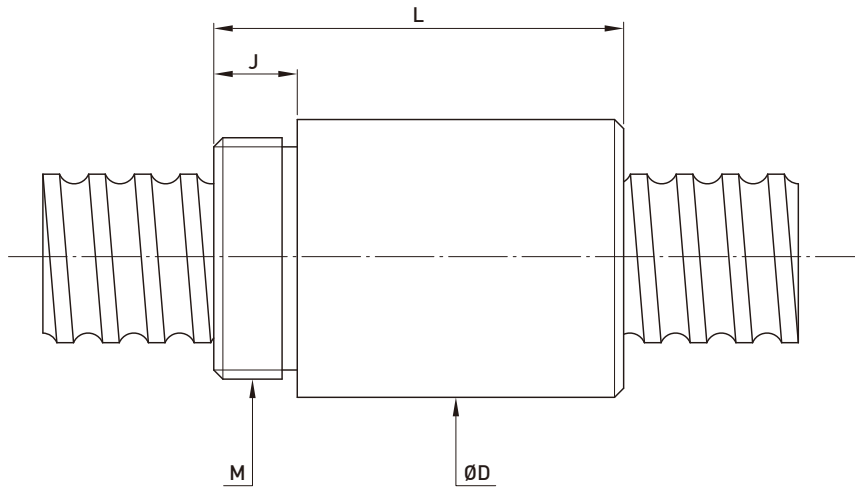
## 7.5 Dimensions for DIN Rolled Ballscrews

### FSC / FSI Type (DIN 69051 part 5 form B) ◀ Stock



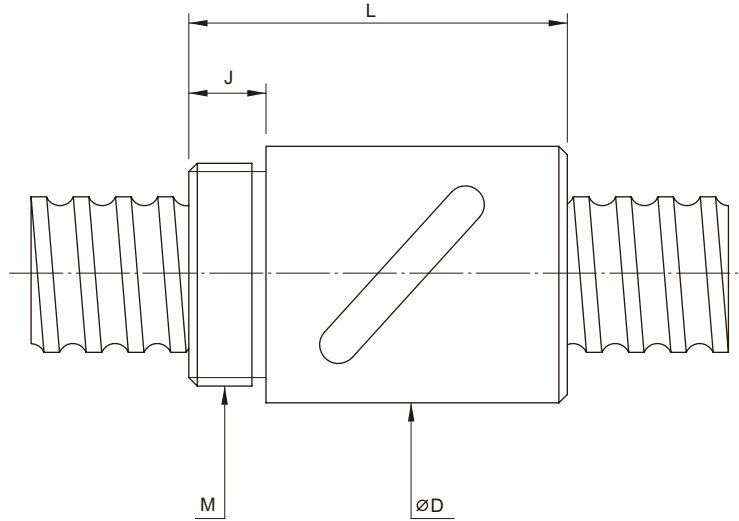
Model	Size		PCD	Ball Dia.	Circuits	Dynamic Load C (kgf)	Static Load Co (kgf)	Nut		Flange								M-Oil Hold
	Nominal Dia.	Lead						L2	D	D4	D5	D6	H1	L7	TYPE	L1	L11	
15-5K3	15	5	14.93	3	3	990	1580	38	28	38	5.5	48	40	10	1	10	5	M6×1P
16-5T3	16	5	16.175	3.175	3	1000	2000	40	28	38	5.5	48	40	10	1	10	5	M6×1P
20-5K3	20	5	20.2	3.175	3	1280	2410	36	36	47	6.6	58	44	10	1	10	5	M6×1P
20-5K4	20	5	20.2	3.175	4	1670	3270	40	36	47	6.6	58	44	10	1	10	5	M6×1P
25-5K3	25	5	25.57	3.175	3	1420	3050	38	40	51	6.6	62	48	10	1	10	5	M6×1P
25-5K4	25	5	25.57	3.175	4	1850	4150	43	40	51	6.6	62	48	10	1	10	5	M6×1P
25-10K5	25	10	25.1	3.175	5	2260	5200	70	40	51	6.6	62	48	10	1	10	5	M6×1P
32-5K4	32	5	32.4	3.175	4	2070	5360	38	50	65	9	80	62	12	1	10	6	M6×1P
32-5K6	32	5	32.4	3.175	6	2980	8190	48	50	65	9	80	62	12	1	10	6	M6×1P
32-10T3	32	10	34.25	6.35	3	3650	8660	74	50	65	9	80	62	12	1	16	6	M6×1P
32-10T4	32	10	34.26	6.35	4	4680	11550	85	50	65	9	80	62	12	1	16	6	M6×1P
32-10K5	32	10	32.62	3.969	5	3390	8160	73	50	65	9	80	62	12	1	10	6	M6×1P
32-10K6	32	10	32.62	3.969	6	3990	9860	83	50	65	9	80	62	12	1	10	6	M6×1P
40-5K4	40	5	40.03	3.175	4	2240	6590	40	63	78	9	93	70	14	2	10	7	M8×1P
40-5K6	40	5	40.03	3.175	6	3220	10060	50	63	78	9	93	70	14	2	10	7	M8×1P
38-10K3	38	10	39.3	6.35	3	4350	9140	60	63	78	9	93	70	14	2	20	7	M8×1P
40-10T3	40	10	41.85	6.35	3	4030	10680	74	63	78	9	93	70	14	2	16	7	M8×1P
38-10K4	38	10	39.3	6.35	4	5660	12410	70	63	78	9	93	70	14	2	20	7	M8×1P
40-10T4	40	10	41.85	6.35	4	5170	14240	87	63	78	9	93	70	14	2	16	7	M8×1P
50-5K4	50	5	50.05	3.175	4	2450	8330	40	75	93	11	110	85	16	2	10	8	M8×1P
50-5K6	50	5	50.05	3.175	6	3530	12720	50	75	93	11	110	85	16	2	10	8	M8×1P
50-10K3	50	10	51.93	6.35	3	4960	12240	60	75	93	11	110	85	16	2	20	8	M8×1P
50-10K4	50	10	51.93	6.35	4	6450	16610	70	75	93	11	110	85	16	2	20	8	M8×1P
50-10K6	50	10	51.93	6.35	6	9280	25350	90	75	93	11	110	85	16	2	20	8	M8×1P
63-10K6	63	10	64.534	6.35	6	10180	31750	94	90	108	11	125	95	18	2	10	9	M8×1P

**RSI Type** (with V-thread) ◀ Stock



Model	Size		Ball Dia.	Circuits	Dynamic Load C (kgf)	Static Load Co (kgf)	L	D	M	J
	Nominal Dia.	Lead								
8-2.5T2	8	2.5	2.000	2	133	178	23.5	17.5	M15x1P	7.5
10-2.5T2	10	2.5	2.000	2	178	263	25	19.5	M17x1P	7.5
10-4T2	10	4	2.381	2	198	282	32	24	M22x1P	10

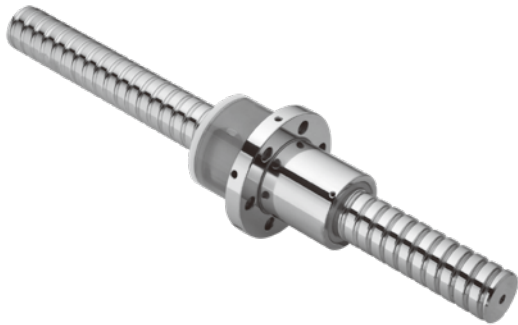
**RSB Type** (with V-thread) ◀ Stock



Model	Size		Ball Dia.	Circuits	Dynamic Load C (kgf)	Static Load Co (kgf)	L	D	M	J
	Nominal Dia.	Lead								
12-4B1	12	4	2.381	2.5x1	344	574	34	25.5	M20x1P	10

## 8. Composite Ball Screw

### 8.1 E2 Self-lubricant



#### • Features:

##### • Cost savings:

The E2 series saves cost by eliminating piping joint systems, change and waste disposal, and by reducing oil purchases.

##### • Greatly extends the maintenance period:

The E2 series will supply proper lubrication for long periods of time extending the maintenance period.

##### • Easy maintenance:

The special construction of the E2 design requires no tools to replace the oil cartridge. There is no disassembly required when adding the E2 option.

##### • Ideal lubrication position:

The lubrication point is located inside the ball nut allowing for the lubrication to be firmly applied onto the ball tracks.

##### • Effortless and flexible installation:

The lubrication performs properly in every direction so there are no restrictions when installing the E2.

##### • Clean and environmentally friendly:

Prevents oil leakage, making the E2 the ideal solution for clean room environments.

##### • Interchangeable oil selection:

The replaceable oil cartridge can be refilled with any approved lubrication oil.

##### • Applications for special environments:

The lubrication oil can be combined with grease for better results, especially in dusty, dirty, or wet environments.

#### • Design Structure:

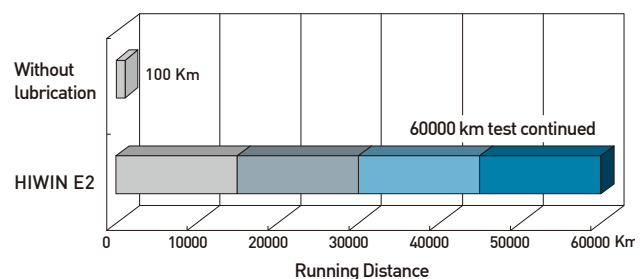
Developed by HIWIN for the purpose of extending the service cycle of a ball screw, this self-lubricant ball screw with a removable oil kit is easy to remove and refill without the need for uninstalling the ball screw from the machine, thus saving the time for service and maintenance.

#### • Performance:

The E2 series will extend the maintenance period by supplying proper lubrication for long periods of time.

Test condition :	
Specification	R40-40K2-FSC
Oil	Mobil SHC 636 [50C.C.]
Speed	3000 rpm
Stroke	1000mm

E2 Performance Test



\* Note : above test with no grease added

#### • Lubricant oil characteristics:

The E2 self-lubricant cartridge is equipped with synthetic hydrocarbon based oil. The lubricant oil has a viscosity grade of ISO VG680.

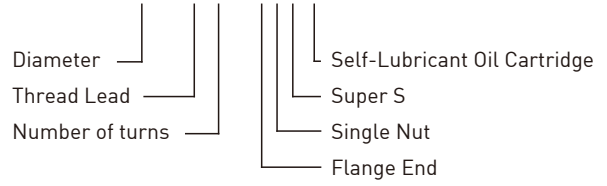
- The E2 is compatible with mineral, hydrocarbon, and ester based greases.
- The E2 can accept synthetic oils with stable characteristics.
- A high viscosity grade will work well in conditions where there are high and low temperatures.
- The low fluid draft factor prevents excessive power consumption.
- Anti-corrosion and rust.
  - ◇ A compatible lubricate oil with the same viscosity grade can also be used in the replaceable cartridge.

• **Application:**

- Industrial machinery : printing machine, paper-processing machine, automatic machine, textile machine, etc.
- Electronic machinery : robots, measuring equipment, X-Y tables, etc.
- Miscellaneous: medical equipment, factory automation equipment, etc.

• **Specification number:**

Example: R40 - 20K3 - FSCE2 - 1200 - 1600 - 0.008



• **Temperature range:**

The ideal E2 temperature range is from -10°C to 60°C, please notify Hiwin engineers if the temperature requirement is out of this range.

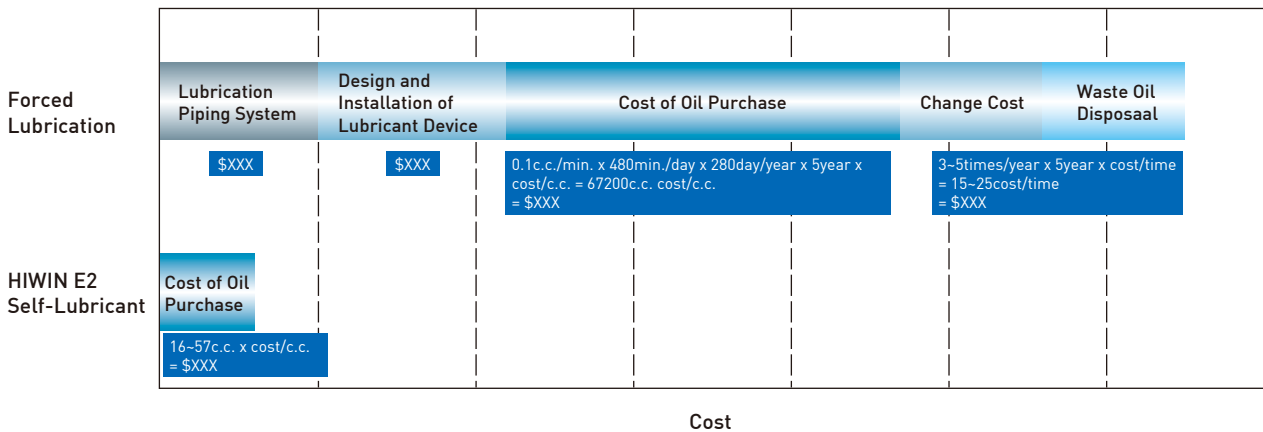
• **Specification:**

Nut type : FSV, FDV, FSW, FDW, PFDW, OFSW, Super S  
Please contact HIWIN engineers for other specification needs.

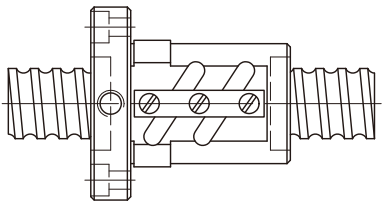
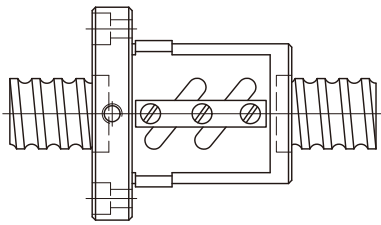
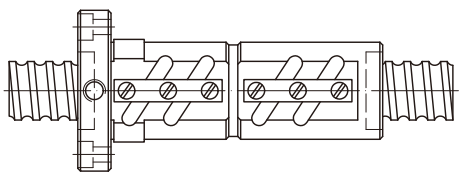
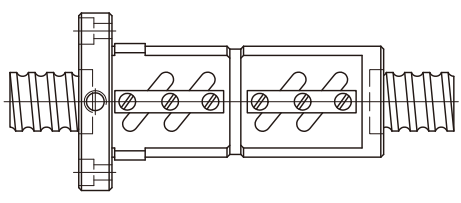
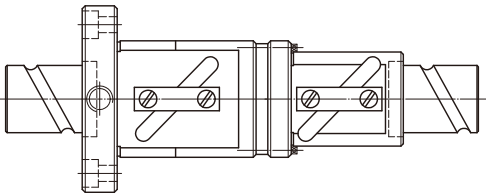
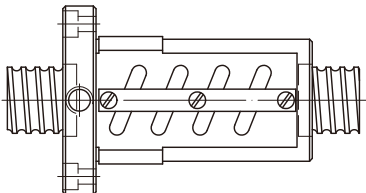
In order to get good lubrication efficiency; please notify HIWIN engineers of the ballscrew installation direction.

• **Cost saving:**

The E2 series saves cost by eliminating piping joint systems, change and waste disposal, and by reducing oil purchases.

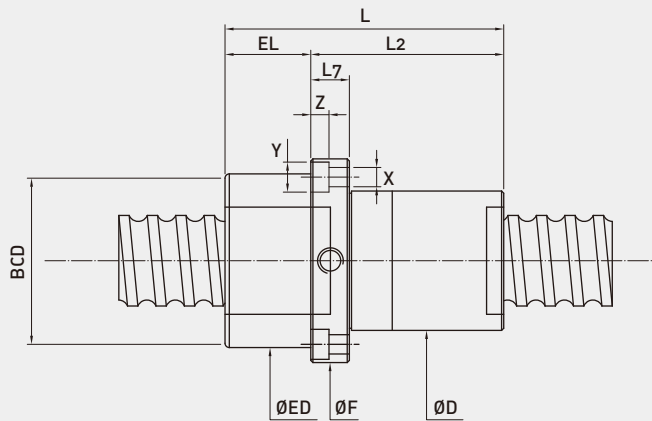


HIWIN E2 Precision Ground Ballscrews

General Type	
<p><b>FSV</b></p>  <p>(F)Flange end, (S)single nut, (V)tube above nut diameter</p>	<p><b>FSW</b></p>  <p>(F)Flange end, (S)single nut, (W)tube within nut diameter</p>
<p><b>FDV</b></p>  <p>(F)Flange end, (D)double nut, (V)tube above nut diameter</p>	<p><b>FDW</b></p>  <p>(F)Flange end, (D)double nut, (W)tube within nut diameter</p>
<p><b>PFDW</b></p>  <p>(PF)Flange to flange, (D)double nut, (W)tube within nut diameter</p>	<p><b>OFSW</b></p>  <p>(O)Offset pitch preload, (F)flange end, (S)single nut, (W)tube within nut diameter</p>

**Dimension table for E2**

(Nut diameter is smaller than the oil cartridge)



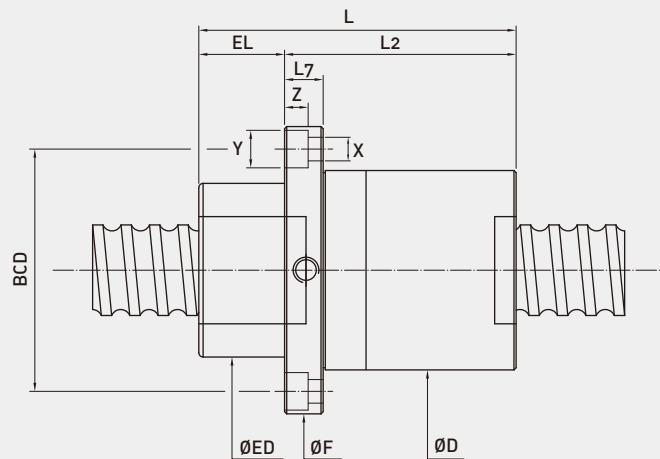
Please remove oil cartridge when installing the nut

Model	Specification			Nut Size									E2 Size		
	Nominal Dia.	Lead	Ball Dia.	D	L2	F	L7	BCD	X	Y	Z	EL	ED	L	
20-10K3	20	10	3.175	36	47	62	12	47	6.6	11	6.5	40	49	87	
20-20K2	20	20	3.175	36	56	62	12	47	6.6	11	6.5	40	49	96	
25-10K3	25	10	3.175	40	50	66	12	51	6.6	11	6.5	40	49	90	
25-25K2	25	25	3.175	40	69	66	12	51	6.6	11	6.5	40	49	109	
25-12K4	25	12	3.969	45	67	69	12	54	6.6	11	6.5	40	49	107	
32-5K4	32	5	3.175	48	38	77	12	59	9	14	8.5	40	62	78	
32-8K5	32	8	3.969	50	59	83	12	65	9	14	8.5	40	62	99	
32-10K5	32	10	3.969	50	73	83	12	65	9	14	8.5	40	62	113	
32-20K3	32	20	3.969	50	87	83	12	65	9	14	8.5	40	62	127	
32-32K2	32	32	3.969	50	87	83	12	65	9	14	8.5	40	62	127	
32-10K5	32	10	4.763	56	79	89	14	71	9	14	8.5	40	62	119	
32-12K5	32	12	4.763	56	88	89	14	71	9	14	8.5	40	62	128	
32-10K5	32	10	6.35	62	77	95	18	77	9	14	8.5	36	81	113	
32-12K5	32	12	6.35	62	87	95	18	77	9	14	8.5	36	81	123	
32-16K4	32	16	6.35	62	92	95	18	77	9	14	8.5	36	81	128	
32-20K3	32	20	6.35	62	87	95	18	77	9	14	8.5	36	81	123	
36-8K5	36	8	4.763	59	64	92	14	74	9	14	8.5	36	81	100	
36-10K5	36	10	6.35	66	80	99	18	81	9	14	8.5	36	81	116	
36-12K5	36	12	6.35	66	87	99	18	81	9	14	8.5	36	81	123	
36-16K5	36	16	6.35	66	109	99	18	81	9	14	8.5	36	81	145	
36-20K4	36	20	6.35	61	108	94	18	76	9	14	8.5	36	81	144	
36-36K2	36	36	6.35	61	95	94	18	76	9	14	8.5	36	81	131	
38-8K5	38	8	4.763	61	64	94	14	76	9	14	8.5	36	81	100	
38-16K5	38	16	6.35	63	108	96	18	78	9	14	8.5	36	81	144	
38-20K4	38	20	6.35	63	108	96	18	78	9	14	8.5	36	81	144	
38-25K4	38	25	6.35	63	127	96	18	78	9	14	8.5	36	81	162	
38-40K2	38	40	6.35	63	103	96	18	78	9	14	8.5	36	81	137	
40-8K5	40	8	4.763	63	64	96	14	78	9	14	8.5	36	81	100	
40-10K5	40	10	6.35	70	83	103	18	85	9	14	8.5	36	81	119	
40-12K5	40	12	6.35	70	86	103	18	85	9	14	8.5	36	81	122	
40-16K5	40	16	6.35	70	108	103	18	85	9	14	8.5	36	81	144	
40-20K4	40	20	6.35	70	110	103	18	85	9	14	8.5	36	81	146	
40-25K4	40	25	6.35	65	127	98	18	80	9	14	8.5	36	81	163	
40-40K2	40	40	6.35	65	101	98	18	80	9	14	8.5	36	81	137	
45-10K5	45	10	6.35	75	78	115	18	93	11	17.5	11	36	92	114	
45-12K5	45	12	6.35	75	89	115	18	93	11	17.5	11	36	92	125	
45-16K5	45	16	6.35	75	108	115	18	93	11	17.5	11	36	92	144	
45-20K4	45	20	6.35	75	108	115	18	93	11	17.5	11	36	92	144	
45-25K4	45	25	6.35	70	129	110	18	88	11	17.5	11	36	92	165	
45-40K3	45	40	6.35	70	145	110	18	88	11	17.5	11	36	92	181	
50-10K5	50	10	6.35	82	80	122	18	100	11	17.5	11	36	92	116	
50-12K5	50	12	6.35	82	90	122	18	100	11	17.5	11	36	92	126	
50-16K5	50	16	6.35	82	109	122	18	100	11	17.5	11	36	92	145	
50-20K4	50	20	6.35	82	106	122	18	100	11	17.5	11	36	92	142	
50-25K4	50	25	6.35	75	129	115	18	93	11	17.5	11	36	92	165	
50-30K4	50	30	6.35	75	147	115	18	93	11	17.5	11	36	92	183	
50-40K3	50	40	6.35	75	145	115	18	93	11	17.5	11	36	92	181	
50-30K2	50	30	7.144	82	92	122	18	100	11	17.5	11	36	92	128	



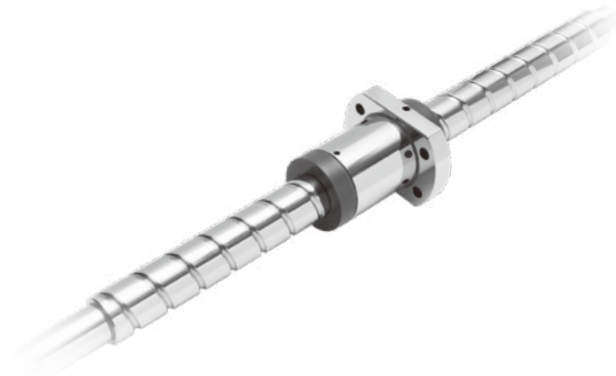
Dimension table for E2

(Nut diameter is larger than the oil cartridge)



Model	Specification			Nut Size								E2 Size		
	Nominal Dia.	Lead	Ball Dia.	D	L2	F	L7	BCD	X	Y	Z	EL	ED	L
20-10K3	20	10	3.175	51	47	76	12	62	6.6	11	6.5	40	49	87
20-20K2	20	20	3.175	51	56	76	12	62	6.6	11	6.5	40	49	96
25-10K3	25	10	3.175	51	50	76	12	62	6.6	11	6.5	40	49	90
25-25K2	25	25	3.175	51	69	76	12	62	6.6	11	6.5	40	49	109
25-12K4	25	12	3.969	51	67	76	12	62	6.6	11	6.5	40	49	107
32-5K4	32	5	3.175	64	38	95	12	78	9	14	8.5	40	62	78
32-8K5	32	8	3.969	64	59	95	12	78	9	14	8.5	40	62	99
32-10K5	32	10	3.969	64	73	95	12	78	9	14	8.5	40	62	113
32-20K3	32	20	3.969	64	87	95	12	78	9	14	8.5	40	62	127
32-32K2	32	32	3.969	64	87	95	12	78	9	14	8.5	40	62	127
32-10K5	32	10	4.763	64	79	95	14	78	9	14	8.5	40	62	119
32-12K5	32	12	4.763	64	88	95	14	78	9	14	8.5	40	62	128
32-10K5	32	10	6.35	83	77	114	18	97	9	14	8.5	36	81	113
32-12K5	32	12	6.35	83	87	114	18	97	9	14	8.5	36	81	123
32-16K4	32	16	6.35	83	92	114	18	97	9	14	8.5	36	81	128
32-20K3	32	20	6.35	83	87	114	18	97	9	14	8.5	36	81	123
36-8K5	36	8	4.763	83	64	114	14	97	9	14	8.5	36	81	100
36-10K5	36	10	6.35	83	80	114	18	97	9	14	8.5	36	81	116
36-12K5	36	12	6.35	83	87	114	18	97	9	14	8.5	36	81	123
36-16K5	36	16	6.35	83	109	114	18	97	9	14	8.5	36	81	145
36-20K4	36	20	6.35	83	108	114	18	97	9	14	8.5	36	81	144
36-36K2	36	36	6.35	83	95	114	18	97	9	14	8.5	36	81	131
38-8K5	38	8	4.763	83	64	114	14	97	9	14	8.5	36	81	100
38-16K5	38	16	6.35	83	108	114	18	97	9	14	8.5	36	81	144
38-20K4	38	20	6.35	83	108	114	18	97	9	14	8.5	36	81	144
38-25K4	38	25	6.35	83	127	114	18	97	9	14	8.5	36	81	162
38-40K2	38	40	6.35	83	103	114	18	97	9	14	8.5	36	81	137
40-8K5	40	8	4.763	83	64	114	14	97	9	14	8.5	36	81	100
40-10K5	40	10	6.35	83	83	114	18	97	9	14	8.5	36	81	119
40-12K5	40	12	6.35	83	86	114	18	97	9	14	8.5	36	81	122
40-16K5	40	16	6.35	83	108	114	18	97	9	14	8.5	36	81	144
40-20K4	40	20	6.35	83	110	114	18	97	9	14	8.5	36	81	146
40-25K4	40	25	6.35	83	127	114	18	97	9	14	8.5	36	81	163
40-40K2	40	40	6.35	83	101	114	18	97	9	14	8.5	36	81	137
45-10K5	45	10	6.35	94	78	133	18	112	11	17.5	11	36	92	114
45-12K5	45	12	6.35	94	89	133	18	112	11	17.5	11	36	92	125
45-16K5	45	16	6.35	94	108	133	18	112	11	17.5	11	36	92	144
45-20K4	45	20	6.35	94	108	133	18	112	11	17.5	11	36	92	144
45-25K4	45	25	6.35	94	129	133	18	112	11	17.5	11	36	92	165
45-40K3	45	40	6.35	94	145	133	18	112	11	17.5	11	36	92	181
50-10K5	50	10	6.35	94	80	133	18	112	11	17.5	11	36	92	116
50-12K5	50	12	6.35	94	90	133	18	112	11	17.5	11	36	92	126
50-16K5	50	16	6.35	94	109	133	18	112	11	17.5	11	36	92	145
50-20K4	50	20	6.35	94	106	133	18	112	11	17.5	11	36	92	142
50-25K4	50	25	6.35	94	129	133	18	112	11	17.5	11	36	92	165
50-30K4	50	30	6.35	94	147	133	18	112	11	17.5	11	36	92	183
50-40K3	50	40	6.35	94	145	133	18	112	11	17.5	11	36	92	181
50-30K2	50	30	7.144	94	92	133	18	112	11	17.5	11	36	92	128

## 8.2 EL Auxiliary Lubrication Module



HIWIN's EL auxiliary lubrication module is installed at both ends of the nut or block, to provide a proper amount of lubricating oil supply, avoiding environmental pollution caused by oil dripping; providing the best long-term lubrication, and extending maintenance cycle greatly.

### • Features:

- Provide auxiliary lubrication extending maintenance period up to 10,000km
- Environment friendly
- Direct lubrication in rolling groove
- Compatible with most ballscrews
- Fulfill cleanroom class 1000

Note:

1. The actual operating life will change according to different installation status or operating conditions, please based on the actual configuration.
2. The recommended operating temperature is 25~50°C.

### • Product performance

Test specification: R20-10K3-FSCCL-742-815

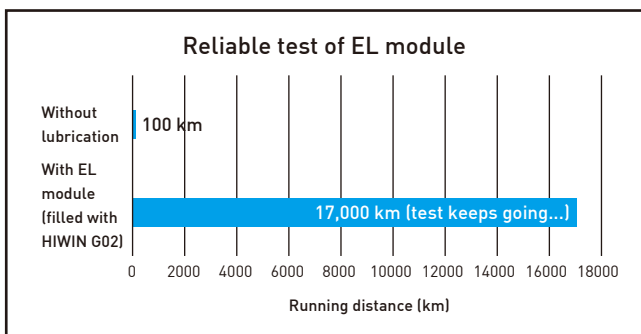
Test speed: 3000rpm

Load: 75kg

Lubrication conditions: The nut is only initially filled with HIWIN G02 grease & both ends are matched with EL lubrication module.

Test stroke: 450mm

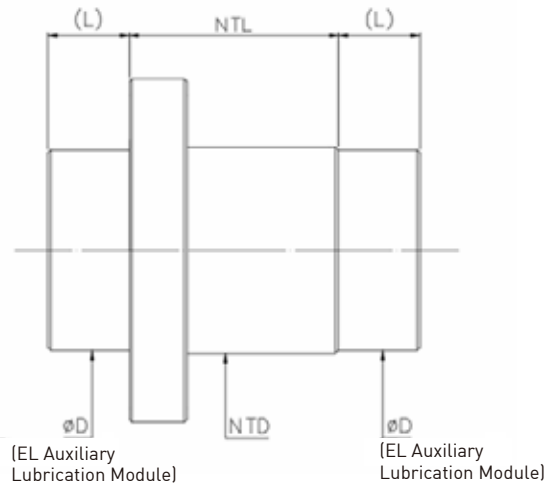
The test results are shown in the figure below



### • Application:

Automation/transportation /SPM/semiconductor/ inspection

### • Specification:



Specification (According to The Diameter of Ballscrew)	Diameter of EL Module (D)	Single Side Extend Length of EL Module (L)
Ø15, Ø16	28	14
Ø20	35	14
Ø25	39	12
Ø32	55	15
	47	12
Ø36	65	15
	55	15
Ø40	62.5	15

Note: Please contact HIWIN if you have special request.

## 8.3 Rotating Nut

### 8.3.1 R1 Rotating Nut



• **Application:**

Semi-conductor industries, Robots, Wood Processing machines, Laser cutting machines, Transporting equipment.

• **Features:**

R1 series ball screw integrates the ball nut with a bearing.

**1. Compact and high positioning:**

A compact design using nut and support bearing as an integrated unit. A 45-degree steel ball contact angle provides a better axial load. Zero backlash and high stiffness construction for highly accurate positioning.

**2. Simple installation:**

Nut easily bolts directly to housing.

**3. Rapid feed:**

The integrated unit rotating on a fixed shaft produces no inertial resistance allowing rapid feed with lower power requirements.

**4. Stiffness:**

The integrated unit has an angular contact construction and zero backlash when rotating for increased load and moment stiffness.

**5. Quiet:**

A special end cap design allows steel balls to circulate inside the nut. Noise generated by high speed operation is lower than in an ordinary ballscrew.

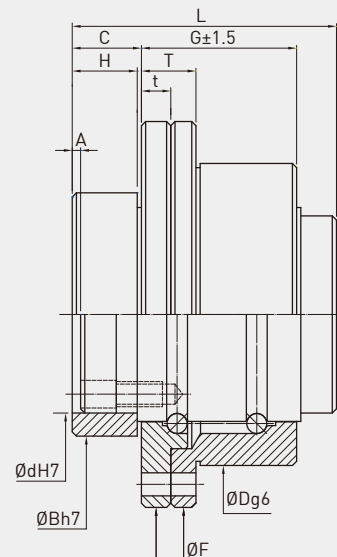
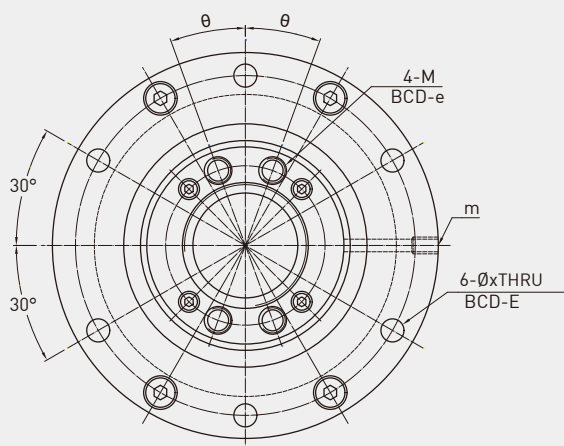
• **Specification:**

Example: 2R40-40S2-DFSHR1-800-1000-0.018



**HIWIN** R1 code

## R1 ROTATING NUT



Model	Dynamic Load (kgf)	Static Load (kgf)	Bearing		Nut				Flange			Bolt				Bush				Oil hole	
			Dynamic Load(kgf)	Static Load(kgf)	D	G	L	C	F	T	t	BCD-E	BCD-e	θ	M	X	d	B	H		A
16-16S2	780	1830	798	1392	52	25	44	11.4	68	13	6	60	26	20	M4x0.7P	4.5	33	40	11	2	M4x0.7P
20-20S2	870	2290	1115	2005	62	30	50	12	78	13	6	70	31	20	M5x0.8P	4.5	39	50	11	2	M4x0.7P
25-25S2	1300	3600	1228	2486	72	37	63	16.5	92	13	7	81	38	20	M6x1P	5.5	47	58	15.5	2	M4x0.7P
32-32S2	1840	5450	2010	4134	80	47	80	21	105	20	10	91	48	25	M6x1P	6.6	58	66	20	3	M6x0.75P
40-40S2	3030	9220	3127	6906	110	62	98	22.5	140	20	10	123	61	25	M8x1.25P	9	73	90	21.5	3	M6x0.75P
50-50S2	4520	14440	4280	9623	120	77	126	29	156	20	10	136	75	25	M10x1.5P	11	90	100	28	4	M6x0.75P

### 8.3.2 R2 Rotating Nut



**• Application:**

Semi-conductor industries, Robots, Wood Processing machines, Laser cutting machines, Transporting equipment.

**• Features:**

**1. Compact:**

The integrated nut/ bearing and reduced flange thickness design offers a compact assembly much smaller than conventional designs.

**2. Simple installation:**

Nut easily bolts directly to housing.

**3. Energy saving:**

The fixed screw creates no inertial force

reducing the need for additional motor drive force on long strokes.

**4. Increased outer ring rigidity:**

The outer ring bearing has a back-to back-design. The longer support distance resists bending moments and increases rigidity 20-30% above traditional face-to-face bearings.

**5. Improved dust resistance**

A dustproof component has been added between the bearing and the nut body to reduce the gap present in traditional designs and improve contamination resistance.

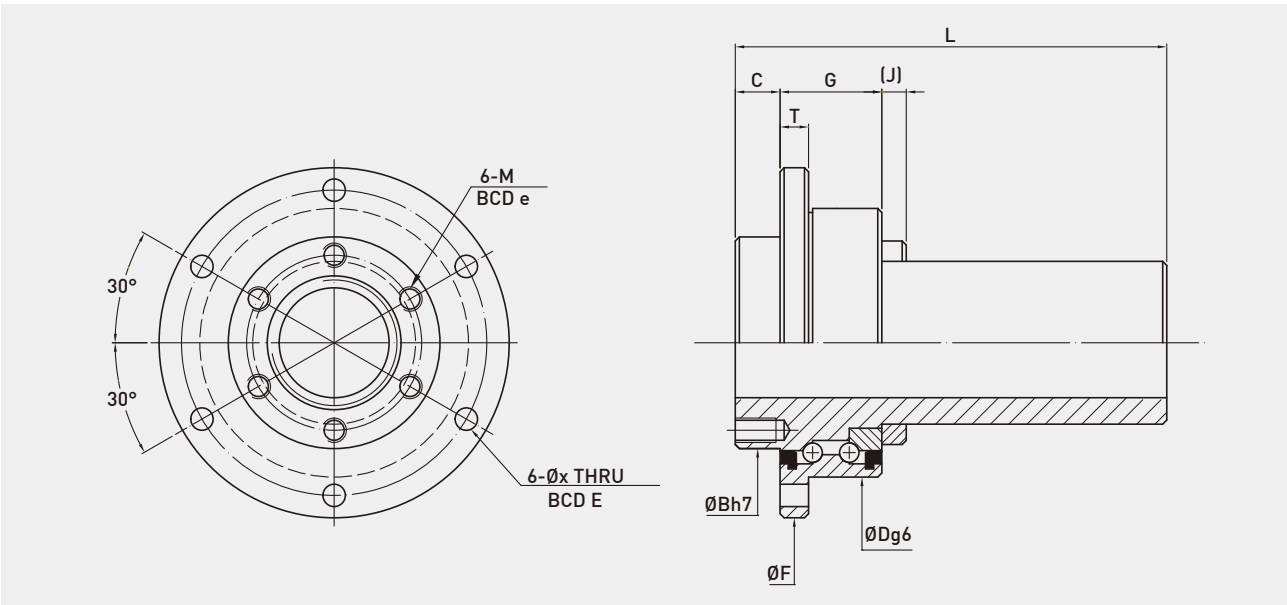
**• Specification:**

Example: 4R25 - 25K4 - DFSCR2EW - 800 - 1000 - 0.05

↓  
**HIWIN R2 code**

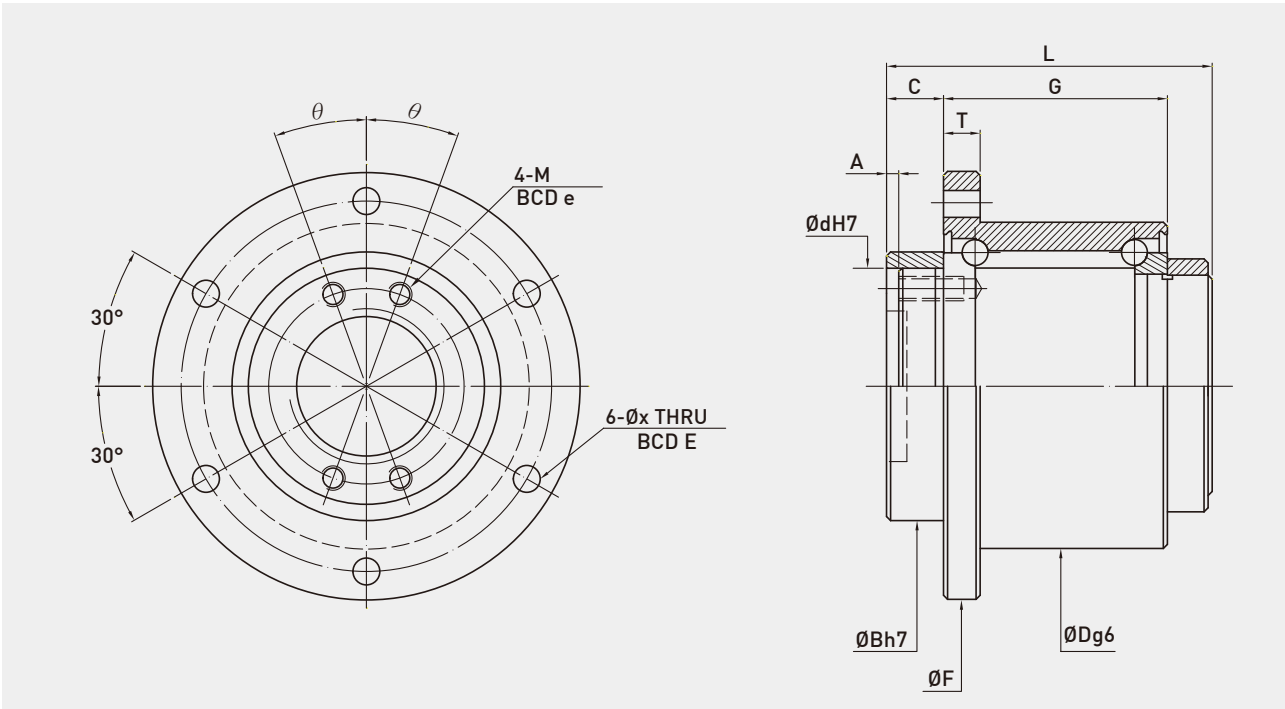


## R2 ROTATING NUT



Model	Dynamic Load(kgf)	Static Load(kgf)	Bearing		Nut			Flange			Bolt				
			Dynamic Load(kgf)	Static Load(kgf)	D	G	L	C	J	F	T	BCD-E	BCD-e	M	X
25-5T6	1597	4164	1243	2567	66	25	92	13	6	86	7	75	43	M6x1P	5.5
25-10T6	3515	7244	1243	2567	66	25	123	11	6	86	7	75	43	M6x1P	5.5
32-5T6	1829	5544	2050	4277	78	25	94	11	10	103	8	89	53	M6x1P	6.6
32-6T6	2450	6812	2050	4277	78	25	102	11	10	103	8	89	53	M6x1P	6.6
32-10T6	4109	9606	2050	4277	78	25	134	11	10	103	8	89	53	M6x1P	6.6
36-10T6	4506	11155	2574	5594	92	33	151	14	10	122	10	105	61	M8x1.25P	9

R2 ROTATING NUT



Model	Dynamic Load(kgf)	Static Load(kgf)	Bearing		Nut				Flange		Bolt				Collar			
			Dynamic Load(kgf)	Static Load(kgf)	D	G	L	C	F	T	BCD-E	BCD-e	θ	M	X	d	B	A
25-25K4	1380	3900	1243	2567	72	43	65	8	92	8	81	38	20	M6x1P	5.5	47	58	3
32-32K4	2100	6350	2050	4277	80	55	80	9	105	9	91	48	20	M6x1P	6.6	58	66	3
50-50K4	6500	19600	4368	10264	120	80	126	12	156	12	136	75	25	M10x1.5P	11	90	100	2

## 8.4 Heavy Load Ballscrew HL Series

HIWIN Heavy load ballscrews come with a special thread and return design which improves the load force a ballscrew can sustain. Compared to a normal ballscrew, it has a higher service life when applied under heavy load force.

### • Application:

Heavy Load ballscrews can be used on All-electric injection molding machines, Die-cast machines, Semi-conductor manufacturing machines, Heavy duty actuators, Forging machines etc.

### • Features:

#### 1. Heavy Load:

Load Capacity can be up to 2-3 times higher compared to standard series. It sustains a much heavier axial load and higher acceleration and deceleration.

#### 2. Accuracy:

JIS grade C7 accuracy.

#### 3. High Speed:

Super S and RD Series adopt tangent return design, DN Value is up to 160,000.

#### 4. Quietness:

RD Series Heavy Load Ballscrews adopt a tangent return design with spacers inserted in between the balls to help reduce noise created by friction between the balls.



Nominal Diameter:  $\varnothing 50\sim\varnothing 80\text{mm}$   
 Lead:  $30\sim 50\text{mm}$   
 DN Value: Max. 160,000

Cassette return type Heavy Load Ballscrew  
 (Super S Type)

Nominal Diameter:  $\varnothing 40\sim\varnothing 125\text{mm}$   
 Lead:  $10\sim 25\text{mm}$   
 DN Value: Max. 130,000



External return type Heavy Load Ballscrew  
 (External Return Type)

Nominal Diameter:  $\varnothing 36\sim\varnothing 125\text{mm}$   
 Lead:  $10\sim 50\text{mm}$   
 DN Value: Max. 160,000  
 (can include Q1 spacers)



External type Heavy Load Ballscrew  
 (RD Series)

### • Technical Illustration:

#### 1. High Load Design

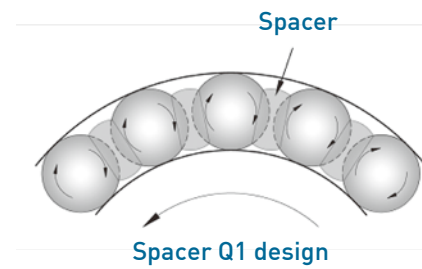
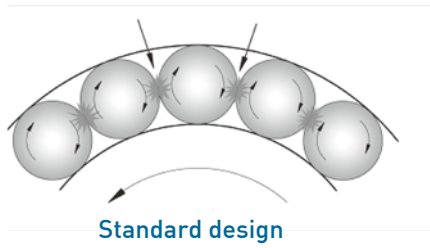
(1) Special Groove design:

Heavy Load ballscrew HL Series uses special groove and optimum geometric design to reduce the axial load it can sustain and also improve its service life.

(2) Spacer (Q1)

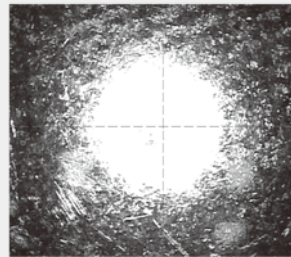
In high load operation, strong friction will lower the service life of ballscrews. The Q1 spacer design eliminates the impact between the balls and further to improve the service life.

Friction between balls    Impact between balls

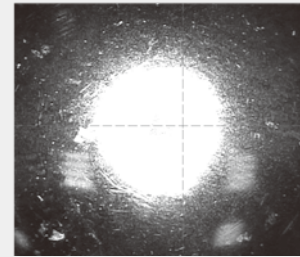


High Load sustainability test

Specification: R80-20Z2-FSPQ1  
 Max. Load: 277kN  
 Max. Speed: 1200RPM  
 Cycle time: 4s  
 Test distance: 1 million times  
 Lubricant: HIWIN G01



Ball surface without spacer

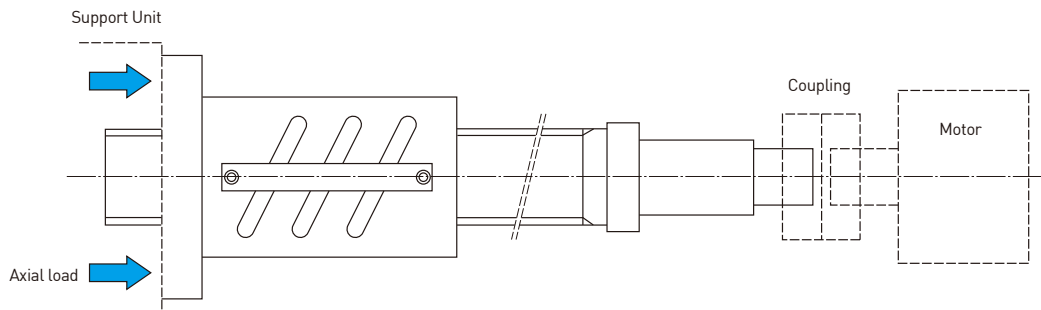


Ball surface with spacer

※ Recommend for temperatures not exceeding 70°C.

2.Recommended Installation

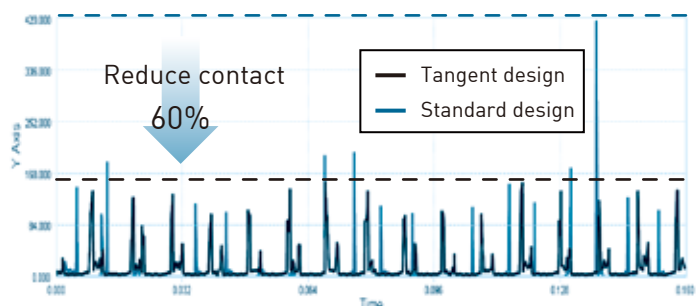
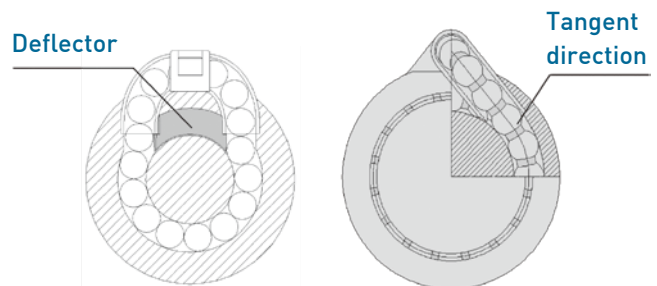
It is recommended to install the heavy load ball screws as per the picture illustrated below in order to protect balls from excessive wear and increase the service life of the ballscrew.



3.High Dm-N Design

(1) External Return Type  
 To reduce the wear caused by external force when at high speed, the return system is designed with a strong structure deflector and its DmN value can reach up to 130,000 MAX.

(2) Super S & RD Series  
 Super S and RD series uses tangent path recirculation design which helps to minimize the impact when balls pass through the return element and also improve the smoothness of the ballscrew. It can also reduce the operation noise, the DmN value can reach 160,000 max.



### 3. Quietness

RD series uses tangent return design and spacers between the balls which eliminates the contact of balls with the return element and also between the balls. It can reduce the noise of the ballscrew 5~7dBA as compared to the traditional external return design.

## • Precautions:

### 1. Lubrication

Sufficient lubrication is required for ballscrew operation in order to achieve the service life of the ballscrew. The grease will gradually deteriorate with use so it is important to periodically lubricate in order to maintain the efficiency of the ballscrew.

- ※ It is recommended that the grease used for lubrication to contains extreme pressure additives or use HIWIN G01 series grease.
- ※ To ensure the grease can lubricate the ball screw directly, it is recommended to have a lubrication hole on each circuit.

### 2. Lead Accuracy and Axial backlash

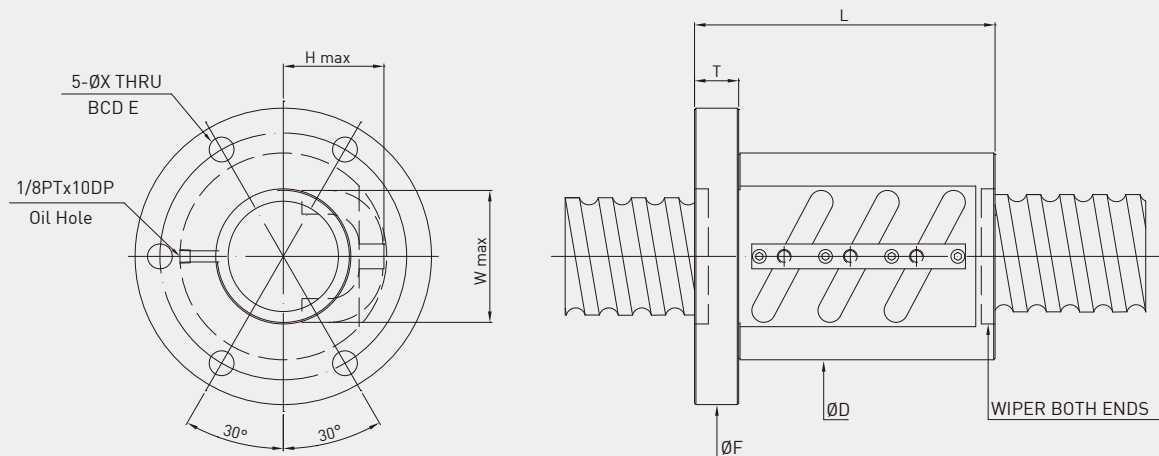
The standard accuracy for Heavy load ball screw (HL Series) is JIS C7 (0.05). To ensure the service life of the ball screw and avoid excessive rise in temperature, nuts are not preloaded. Standard backlash is 0.02~0.05mm MAX.

### 3. Axial Load

The dynamic load rating of the ballscrew should be about 3 to 5 times the expected axial load on the ballscrew in order to achieve a good service life.



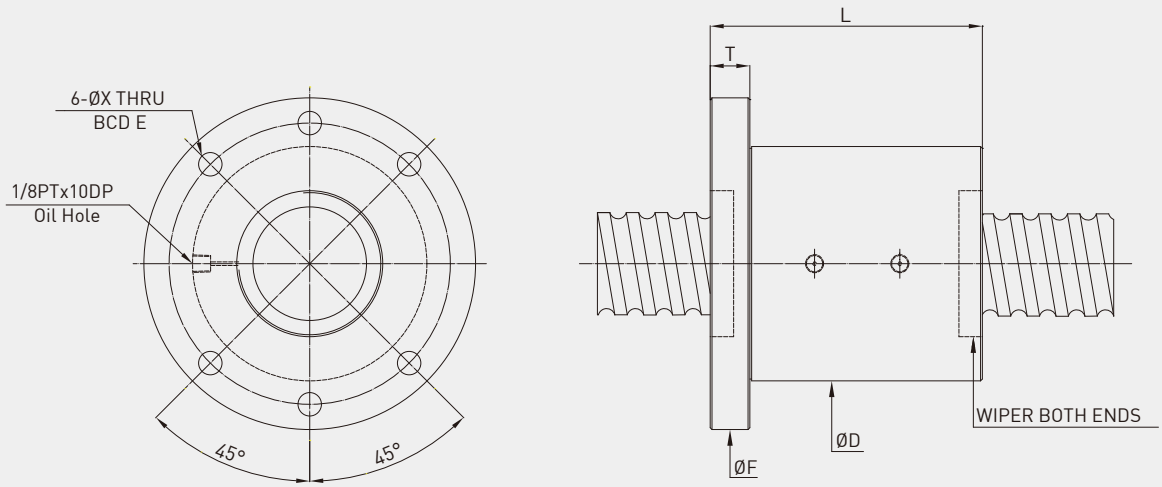
## External return type Heavy Load Ballscrew (FSV)



Model No.	Shaft diameter	Lead	Ball Dia.	Turns Circuits	Dynamic C		Static Co		D	L	F	T	E	X	H	W	Allowable axial load kN
					kgf	kN	kgf	kN									
R40-10B3	40	10	7.144	2.5X3	14150	138	44530	436	66	135	100	18	82	9	46	54	42.2
R45-10B3	45	10	7.144	2.5X3	14840	145	49820	488	70	143	104	18	87	9	47	57	48.6
R45-12B3	45	12	7.144	2.5X3	17050	167	55000	539	72	155	104	22	89	9	47	57	48.6
R50-10B3	50	10	7.144	2.5X3	15470	151	55090	539	75	143	109	18	92	9	49	57	55.3
R50-12B3	50	12	7.938	2.5X3	17930	175	61480	602	77	152	114	18	96	9	52	62	60
R50-16B3	50	16	12.7	2.5X3	33680	330	99140	971	95	223	129	28	112	9	61	66	84.9
R55-10B3	55	10	7.144	2.5X3	16050	157	60360	591	80	143	114	18	97	9	52	67	61.7
R55-12B3	55	12	7.938	2.5X3	18740	183	67960	666	82	160	114	22	97	9	54	69	67.3
R55-16B3	55	16	12.7	2.5X3	35040	343	107620	1054	99	223	133	28	116	9	71	70	96.2
R63-12B3	63	12	7.938	2.5X3	19790	193	77710	761	92	171	126	22	109	9	59	70	79.1
R63-16B3	63	16	12.7	2.5X3	37610	368	124230	1217	105	213	139	28	122	9	73	82	114.9
R63-16C3	63	16	12.7	3.5X3	50230	492	173920	1704	105	271	139	28	122	9	73	82	161.1
R63-20B3	63	20	15.875	2.5X3	50290	492	155020	1519	117	243	157	32	137	11	80	81	134.5
R80-14B3	80	14	9.525	2.5X3	28550	279	121130	1187	116	200	150	28	133	9	72	94	121.7
R80-16B3	80	16	12.7	2.5X3	41820	409	157530	1543	120	218	158	32	139	9	81	98	153.9
R80-20B3	80	20	15.875	2.5X3	56060	549	194320	1904	130	270	170	32	150	11	89.5	96	183.4
R80-20C3	80	20	15.875	3.5X3	74870	733	272050	2666	130	333	170	32	150	11	89.5	96	257.3
R80-25B3	80	25	19.05	2.5X3	72920	714	241490	2366	145	338	185	40	165	11	102	100	208
R100-16B3	100	16	12.7	2.5X3	46230	453	198970	1949	145	227	185	32	165	11	91	117	201.3
R100-20C3	100	20	15.875	3.5X3	83460	817	344600	3377	145	320	185	32	165	11	98	113	337.8
R100-25B3	100	25	19.05	2.5X3	80480	788	298050	2920	159	338	199	40	179	11	109	118	278.1
R100-25C3	100	25	19.05	3.5X3	107490	1053	417280	4089	159	413	199	40	179	11	109	118	390.1
R120-25B3	120	25	19.05	2.5X3	86740	850	354400	3473	173	316	213	40	193	11	111	135	348.4
R120-25C3	120	25	19.05	3.5X3	115850	1135	496160	4862	173	400	213	40	193	11	111	135	486.4

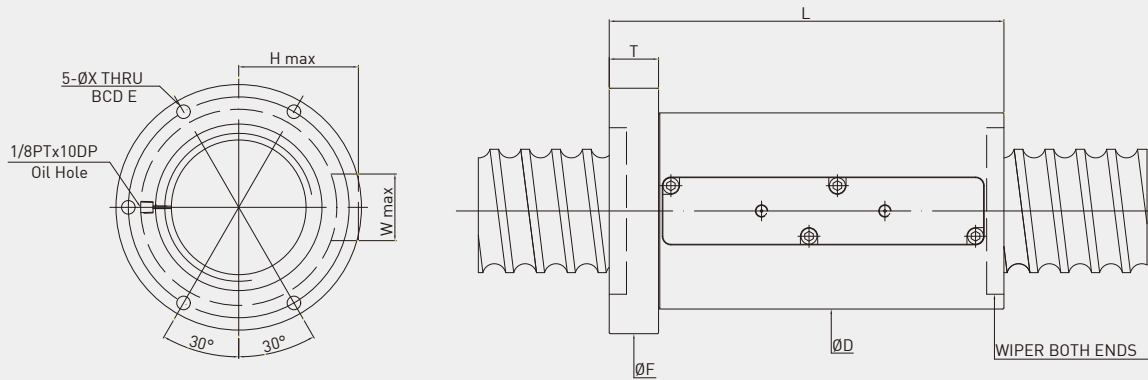
Note: If the using condition over the allowable axial load, please contact HIWIN.

## Cassette return type Heavy Load Ballscrew (FSC)



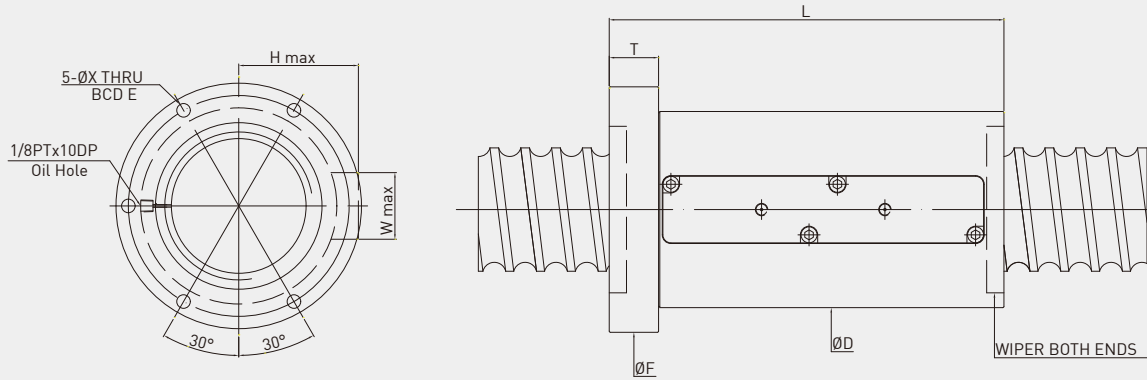
Model No.	Shaft diameter	Lead	Ball Dia.	Turns Circuits	Dynamic C		Static Co		D	L	F	T	E	X	Pmax kN
					kgf	kN	kgf	kN							
2R50-30K6	50	30	7.144	6	12160	119.2	42360	415.1	85	123	135	20	115	12	43.6
2R50-40K6	50	40	12.7	6	25410	249	72310	708.6	115	159	165	28	140	14	66.0
2R50-40K8	50	40	12.7	8	33040	323.8	98130	961.7	115	199	165	28	140	14	88.0
2R63-40K6	63	40	15.875	6	38440	376.7	114220	1119.4	140	163	200	32	170	18	105.9
2R63-40K8	63	40	15.875	8	49990	489.9	155010	1519.1	140	203	200	32	170	18	140.8
2R80-50K6	80	50	15.875	6	42770	419.1	142960	1401	175	194	250	40	210	22	144.2
2R80-50K8	80	50	15.875	8	55620	545.1	194010	1901.3	175	244	250	40	210	22	192.3

## External type Heavy Load Ballscrew (FSP)



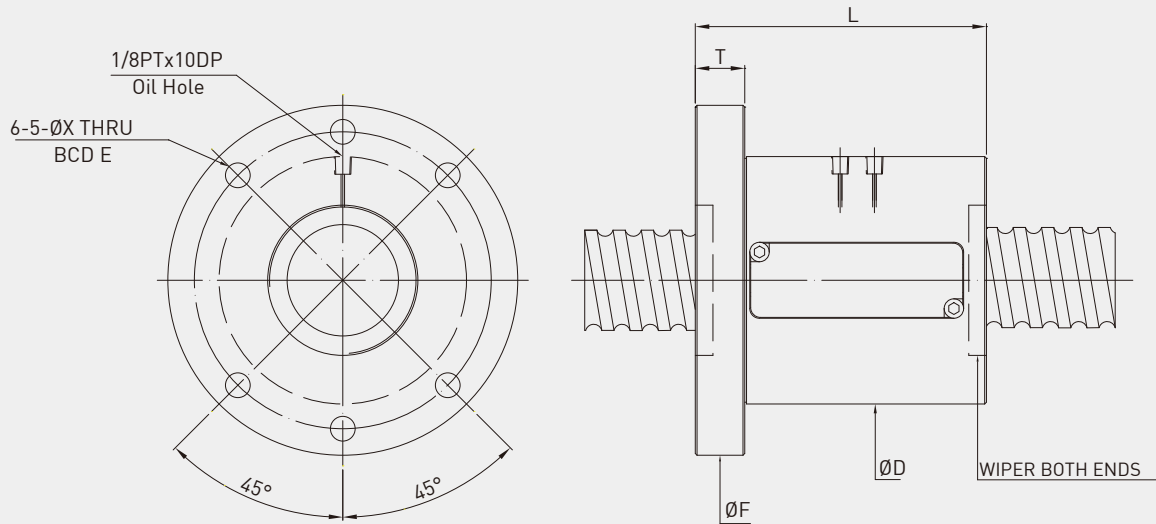
Model No.	Shaft diameter	Lead	Ball Dia.	Turns Circuits	Dynamic C		Static Co		D	L	F	T	E	X	H	W	Pmax kN
					kgf	kN	kgf	kN									
R32-10X2	32	10	7.144	2.8×2	9630	94.4	25460	249.5	58	116	92	18	75	9	40.5	26	23.6
R36-10X2	36	10	7.144	2.8×2	10350	101.4	29350	287.6	62	116	96	18	79	9	42	26	27.5
R36-10Z1	36	10	7.144	4.8×1	9070	88.9	25160	246.6	62	96	96	18	79	9	42	26	23.6
R36-12X2	36	12	7.144	2.8×2	10330	101.2	29310	287.2	66	129	100	18	80	9	45	27	27.5
R40-10Y2	40	10	7.144	3.8×2	14310	140.2	45130	442.3	66	135	100	18	82	9	45	27	42.8
R40-10Z1	40	10	7.144	4.8×1	9640	94.5	28500	279.3	66	95	100	18	82	9	45	27	26.8
R50-10X1	50	10	7.144	2.8×1	6630	65.0	20560	201.5	75	76	109	18	92	9	49	26	20.5
R50-12Y2	50	12	7.938	3.8×2	18140	177.8	62300	610.5	77	161	111	22	94	9	49.5	29	60.8
R50-12Z2	50	12	7.938	4.8×2	22170	217.3	78700	771.3	77	185	111	22	94	9	49.5	27	76.9
R50-14Y2	50	14	9.525	3.8×2	23360	228.9	75440	739.3	80	189	114	28	97	9	54	32	69.9
R50-16X3	50	16	12.7	2.8×3	37130	363.9	111030	1088.1	95	243	129	28	112	9	59.5	36	95.3
R50-16Y2	50	16	12.7	3.8×2	34060	333.8	100460	984.5	95	209	129	28	112	9	61	36	85.8
R50-16Y3	50	16	12.7	3.8×3	48280	473.1	150690	1476.8	95	291	129	28	112	9	61	36	129.1
R50-16Z1	50	16	12.7	4.8×1	22940	224.8	63450	621.8	95	145	129	28	112	9	61	33	53.7
R63-10Y2	63	10	7.144	3.8×2	17420	170.7	71750	703.2	93	139	125	18	109	9	55	27	73.1
R63-14Z2	63	14	9.525	4.8×2	31490	308.6	119310	1169.2	94	217	128	28	111	9	60.5	32	117.7
R63-16X2	63	16	12.7	2.8×2	29250	286.7	92760	909.0	105	179	139	28	122	9	67	37	85.7
R63-16Y2	63	16	12.7	3.8×2	38040	372.8	125880	1233.6	105	209	139	28	122	9	65.5	37	116.8
R63-16Y3	63	16	12.7	3.8×3	53910	528.3	188830	1850.5	105	289	139	28	122	9	65.5	37	175.2
R63-16Z2	63	16	12.7	4.8×2	46500	455.7	159010	1558.3	105	243	139	28	122	9	67	36	146.9
R63-20X2	63	20	15.875	2.8×2	39120	383.4	115750	1134.4	117	217	157	32	137	11	72.5	41	100.5
R63-20Y2	63	20	15.875	3.8×2	50870	498.5	157090	1539.5	117	257	157	32	137	11	72.5	41	135.9
R63-20Z2	63	20	15.875	4.8×2	62180	609.4	198430	1944.6	117	299	157	32	137	11	75.5	42	171.2
R63-25Y2	63	25	12.7	3.8×2	37830	370.7	125350	1228.4	117	294	157	32	137	11	66	37	116.3
R80-16Y2	80	16	12.7	3.8×2	42300	414.5	159630	1564.4	120	215	154	32	137	9	74	39	156.9
R80-16Y3	80	16	12.7	3.8×3	59950	587.5	239440	2346.5	120	295	154	32	137	9	74	39	235.3
R80-16Z2	80	16	12.7	4.8×2	51710	506.8	201630	1976.0	120	247	154	32	137	9	74	39	198.1
R80-16Z3	80	16	12.7	4.8×3	73290	718.2	302450	2964.0	120	343	154	32	137	9	74	39	296.6
R80-20Y2	80	20	15.875	3.8×2	56700	555.7	196910	1929.7	130	259	170	32	150	11	80	45	186.3

## External Type Heavy Load Ballscrew (FSP)



Model No.	Shaft diameter	Lead	Ball Dia.	Turns Circuits	Dynamic C		Static Co		D	L	F	T	E	X	H	W	Pmax kN
					kgf	kN	kgf	kN									
R80-20Y3	80	20	15.875	3.8×3	80360	787.5	295370	2894.6	130	359	170	32	150	11	80	45	279.5
R80-20Z2	80	20	15.875	4.8×2	69320	679.3	248730	2437.6	130	299	170	32	150	11	80	45	235.1
R80-25Y2	80	25	19.05	3.8×2	73750	722.8	244710	2398.2	145	320	185	40	165	11	90	54	212.0
R80-25Y3	80	25	19.05	3.8×3	104520	1024.3	367070	3597.3	145	445	185	40	165	11	90	54	318.0
R80-25Z2	80	25	19.05	4.8×2	90160	883.6	309110	3029.3	145	372	185	40	165	11	90	54	266.0
R100-20Y2	100	20	15.875	3.8×2	63210	619.5	249430	2444.4	145	255	185	32	165	11	90	49	245.1
R100-20Y3	100	20	15.875	3.8×3	89580	877.9	374140	3666.6	145	355	185	32	165	11	90	49	367.7
R100-20Z1	100	20	15.875	4.8×1	42570	417.2	157530	1543.8	145	175	185	32	165	11	90	49	154
R100-20Z2	100	20	15.875	4.8×2	77270	757.2	315070	3087.7	145	295	185	32	165	11	90	49	309.5
R100-20Z3	100	20	15.875	4.8×3	109510	1073.2	472600	4631.5	145	415	185	32	165	11	90	49	463.5
R100-25X2	100	25	19.05	2.8×2	62600	613.5	222540	2180.9	159	266	199	40	179	11	100	55	206.9
R100-25Y2	100	25	19.05	3.8×2	81410	797.8	302030	2959.9	159	320	199	40	179	11	100	59	282.4
R100-25Y3	100	25	19.05	3.8×3	115370	1130.6	453040	4439.8	159	445	199	40	179	11	100	59	422.5
R100-25Z2	100	25	19.05	4.8×2	99520	975.3	381510	3738.8	159	366	199	40	179	11	98	58	355.7
R120-25Y2	120	25	19.05	3.8×2	87740	859.9	359120	3519.4	173	316	213	40	193	11	109	56	352.9
R120-25Y3	120	25	19.05	3.8×3	124340	1218.5	538690	5279.2	173	441	213	40	193	11	109	59	529.4
R120-25Z2	120	25	19.05	4.8×2	107260	1051.1	453630	4445.6	173	366	213	40	193	11	110	62	445.7
R125-20Y2	125	20	15.875	3.8×2	69870	684.7	315040	3087.4	173	267	213	40	193	11	102.5	46	317.9
R125-20Y3	125	20	15.875	3.8×3	99030	970.5	472570	4631.2	173	367	213	40	193	11	102.5	46	477.6
R125-20Z2	125	20	15.875	4.8×2	85420	837.1	397950	3899.9	173	307	213	40	193	11	102.5	46	401.9
R125-25Y2	125	25	19.05	3.8×2	89890	880.9	377880	3703.2	180	316	220	40	200	11	114	56	370
R125-25Z2	125	25	19.05	4.8×2	109890	1076.9	477320	4677.7	180	366	220	40	200	11	114	56	468.2

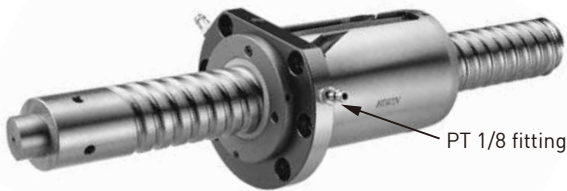
## External Type Heavy Load Ballscrew (FSS)



Model No.	Shaft diameter	Lead	Ball Dia.	Turns Circuits	Dynamic C		Static Co		D	L	F	T	E	X	Pmax kN
					kgf	KN	kgf	KN							
2R50-40X2	50	40	12.7	2.8×2	25410	249.0	72310	708.6	115	189	165	32	140	14	61.8
R63-32X1	63	32	15.875	2.8×1	21350	209.2	57470	563.2	140	173	190	32	165	14	49.9
R63-32Y1	63	32	15.875	3.8×1	27770	272.1	78000	764.4	140	206	190	32	165	14	67.5
R63-32Z1	63	32	15.875	4.8×1	33950	332.7	98520	965.5	140	238	190	32	165	14	85.0
2R63-40X2	63	40	12.7	2.8×2	28670	281.0	91350	895.2	130	189	190	32	160	18	84.4
2R63-40Y2	63	40	12.7	3.8×2	37290	365.4	123970	1214.9	130	229	190	32	160	18	115.0
2R63-50Y2	63	50	12.7	3.8×2	36810	360.7	122740	1202.9	130	275	190	36	160	18	113.9
2R70-40X2	70	40	12.7	2.8×2	30590	299.8	103750	1016.8	142	191	210	32	175	18	96.9
2R80-50X2	80	50	15.875	2.8×2	42770	419.1	142960	1401.0	175	233	250	40	210	22	134.0
2R80-50Y2	80	50	15.875	3.8×2	55620	545.1	194010	1901.3	175	283	250	40	210	22	183.6

## 8.5 Cool Type

### 8.5.1 Extra High Dm-N Value Ballscrew - Cool Type I



#### • Cool type I:

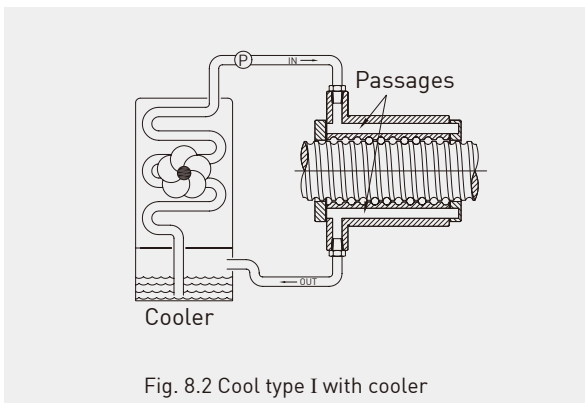
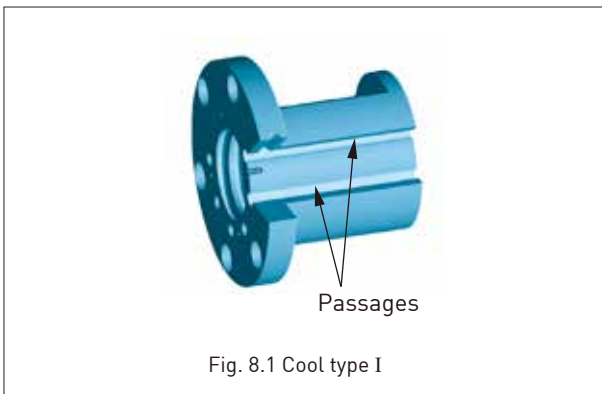
- New era for high speed ballscrew - achieving extra high Dm-N value (up to 200,000) and high positioning accuracy.
- Cool type I and a hollow shaft design.
- High speed machine tools and machining center.

#### • Design Principle:

The cool type series features forced cooling fluid passing through the nut, to minimize heat generation and thermal expansion during ballscrew operation.

##### • Cool type I as shown in the Figure 8.1:

Flowing fluids are circulated in passages inside the nut, and exchanges heat with the cooler as shown in the Figure 8.2. In cooperation with the hollow shaft design, it creates high quality thermal control and maintains high accuracy. This combination is most suitable for high-speed machine tools.



#### • Specification:

1. We recommend shaft a diameter above  $\varnothing 32\text{mm}$  for cool type design.
2. Nut type: FSV, FSW, PFDW, OFSW, DFSV, FSH, FSI, etc.
3. Please contact HIWIN with other specifications you need.
4. The cool type I, compared with standard specifications, will cause a minor external dimension change of the nut, please contact HIWIN.

#### • Specification number:

Example: R50 - 30C1 - OFSWC1 - 1180 - 1539 - 0.008



C1: HIWIN cool type ballscrew for type I

#### • Performance Comparison:

For high-speed machine tools, the hollow shaft design only is not enough protection against heat generation and thermal expansion, because nut itself is a heat source, as shown in Figure 8.3.

##### Test condition :

specification :  $\varnothing 50$ , lead 30 mm

speed : 2500 rpm ( 75 m/min),

back and forth feed continuously

acceleration :  $9.8 \text{ m/sec}^2$

stroke : 1180 mm

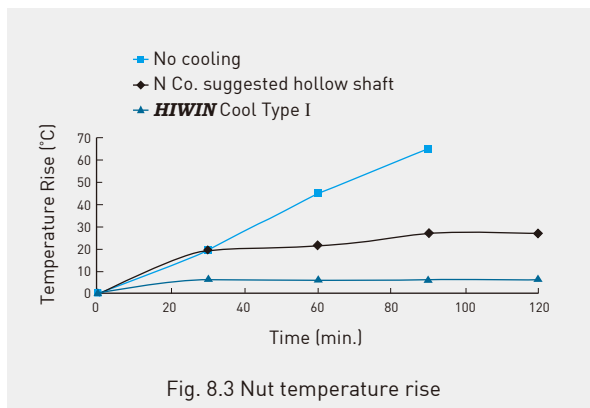
preload : 205 kgf

moving weight : 300 kgf

cooling rate : oil 2.5 liter/min

inlet temperature :  $16^\circ\text{C}$

room temperature :  $25^\circ\text{C}$



### Cool type I Performance (1)

Specification: Ø50, lead 30 mm  
Dm-N value: 150,000  
Acceleration: 9.8 m/sec<sup>2</sup>

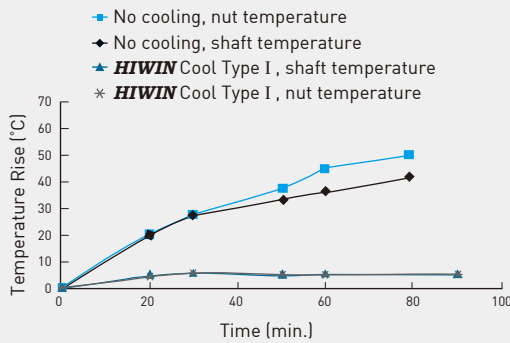


Fig. 8.4 Cool type I : Temperature rise of ballscrew

### Cool type I Performance (2)

Specification: Ø50, lead 30 mm  
Dm-N value: 200,000  
Acceleration: 9.8 m/sec<sup>2</sup>

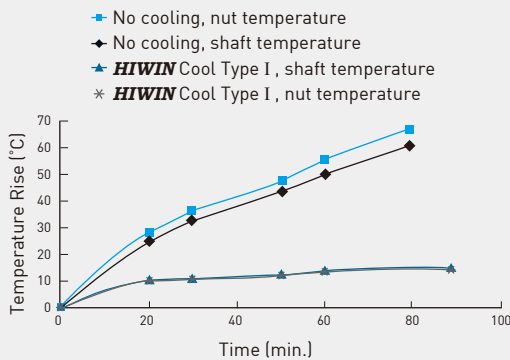


Fig. 8.5 Cool type I : Temperature rise of ballscrew

### • Features:

- 1. Optimized design for high reliability:**  
Through use of computer simulation and FEM analysis, the cool type ballscrew features excellent thermal protection and high reliability.
- 2. Promote higher speed rotation and extra high Dm-N value (up to 200,000):**  
Cool type ballscrews will eliminate high-speed rotation aftereffect, i. e., thermal problems, and promote higher speed rotation.
- 3. Prevent thermal distortion:**  
Optimized heat transfer design minimizes heat generation and prevents thermal distortion.
- 4. Strengthen durability:**  
When operating repeatedly, friction between balls causes heat generation. That may cause balls to oxidize or decarburize, and shorten the service life. Cool type ballscrews will strengthen durability under a cooling environment.
- 5. Extended lubricant life cycle:**  
When using lubrication, minimum heat generation further inhibits deterioration in the quality of lubrication and extends the lubricant life cycle.
- 6. Keep temperature uniform and reduce warm-up time:**  
During high-speed operation, nut and shaft cooling effect keeps feed-system temperature constant and reduces warm-up time.
- 7. Higher feeding accuracy:**  
Cooling effect of cool type ballscrew will stabilize against thermal expansion and equalize feeding accuracy.

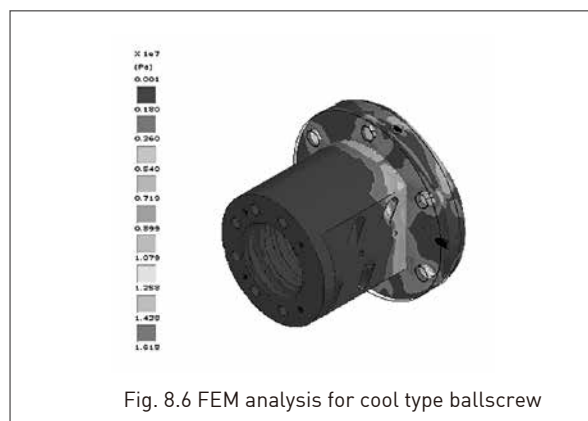


Fig. 8.6 FEM analysis for cool type ballscrew

## 8.5.2 High Load Ballscrew - Cool Type II



### • Cool type II:

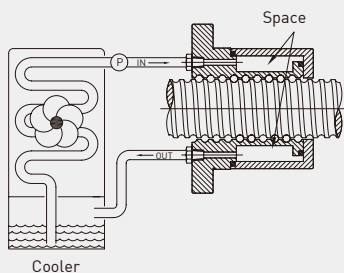
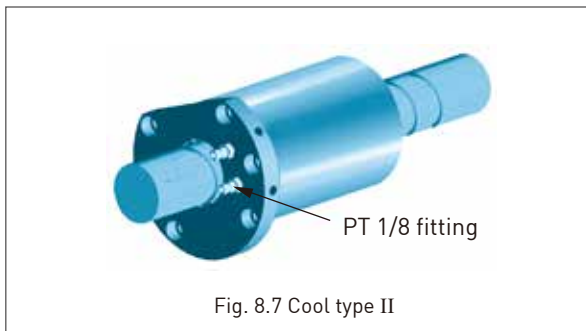
- New era for ballscrews applied in electric - driven injection machines, presses, power units, and other replaceable hydraulic drives.
- Electric-driven injection machines, presses, power units and other replaceable hydraulic drives.

### • Design Principle:

The cool type series features forced cooling fluid passing through the nut, to minimize heat generation and thermal expansion during ballscrew operation.

#### • Cool type II as shown in the Figure 8.7:

Flowing fluids are circulated through a space, inside the nut, and exchanges heat with the cooler as shown in the Figure 8.8. It is most suitable for electric-driven injection machines, presses, and power units. The cool type II, compared with the standard specifications, will cause a minor external dimension change of the nut. Please contact HIWIN .



### • Specification:

1. We recommend a shaft diameter above  $\varnothing 32\text{mm}$  for cool type design.
2. Nut type: FSV, FSW, PFDW, OFSW, DFSV, FSH, FSI, etc.
3. Please contact HIWIN with other specifications you need.
4. The cool type II, compared with standard specifications, will cause a minor external dimension change of the nut, please contact HIWIN.

### • Specification number:

Example: R63 - 16B3 - RSWC2 - 400 - 600 - 0.05



C2 : HIWIN cool type ballscrew for type II

### • Performance Comparison:

#### Test condition :

specification :  $\varnothing 50$ , lead 30 mm  
 speed : 1500 rpm ( 45 m/min),  
 back and forth feed continuously  
 acceleration : 4.9 m/sec<sup>2</sup>  
 stroke : 300 mm  
 preload : 205 kgf  
 moving weight : 300 kgf  
 cooling rate : oil 2.5 liter/min  
 inlet temperature : 16°C  
 room temperature : 25°C

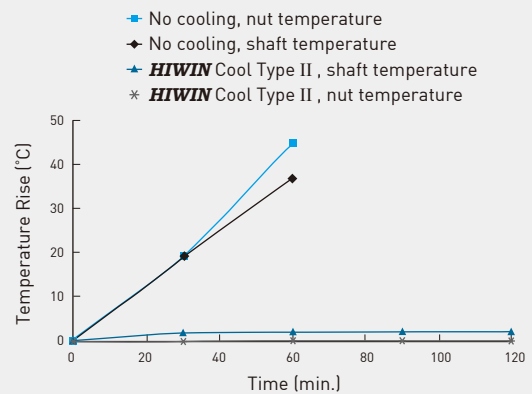


Fig. 8.9 Cool type II : Temperature rise of ballscrew



• **Features:**

**1. Optimized design for high reliability:**

Through use of computer simulation and FEM analysis, the cool type ballscrew features excellent thermal protection and high reliability.

**2. Promote higher speed rotation and extra high Dm-N value (up to 200,000):**

Cool type ballscrews will eliminate high-speed rotation aftereffect, i. e., thermal problems, and promote higher speed rotation.

**3. Prevent thermal distortion:**

Optimized heat transfer design minimizes heat generation and prevents thermal distortion.

**4. Strengthen durability:**

When operating repeatedly, friction between balls causes heat generation, It may cause oxidization and decarburization of the rolling elements, which will affect service life of ballscrews. Cool type ballscrews will strengthen durability under a cooling environment.

**5. Extended lubricant life cycle:**

When using lubrication, minimum heat generation further inhibits deterioration in the quality of lubrication and extends the lubricant life cycle.

**6. Higher feeding accuracy:**

Cooling effect of cool type ballscrew will stabilize against thermal expansion and equalize feeding accuracy.

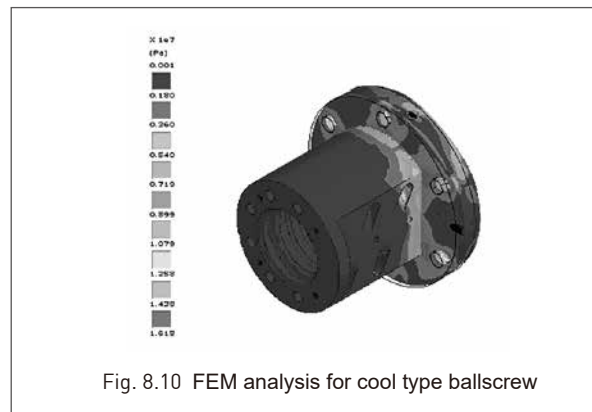


Fig. 8.10 FEM analysis for cool type ballscrew

**Average Life Cycle for Injection Machine Ballscrew**

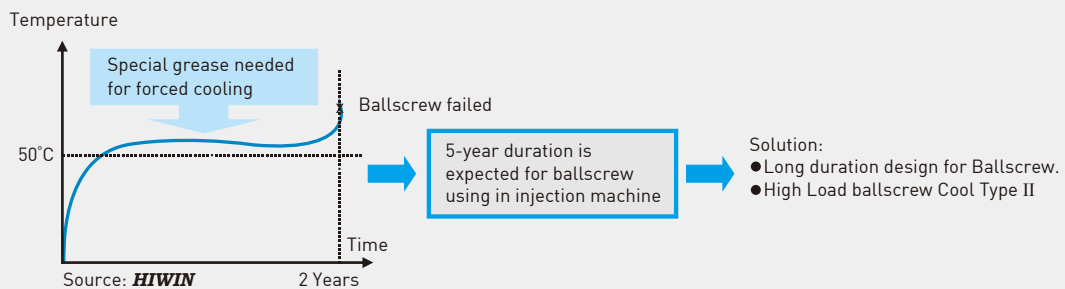


Fig 8.11 Life cycle for ballscrew using in general injection machine

## 8.6 Dust-proof Type



• **Features:**

The dust-proof ballscrew is designed to prevent particles or debris entering the ballnut, especially under special operating conditions such as saw dust, iron filings, etc.

• **Dust-proof specification:**

4R25-25K2-FSCSH-1835-1959-0.023



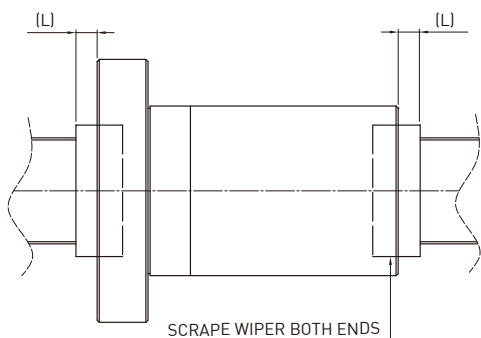
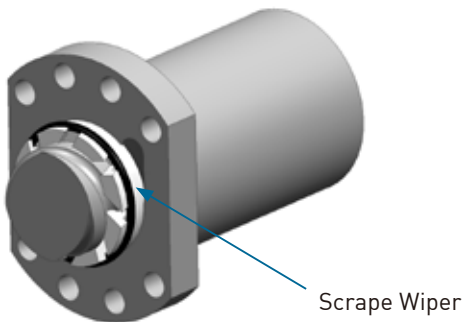
**HIWIN** Dust-Proof Code (SS, SH, NW, EW)

• **Dust-proof Type**

1. SS (Scrape Wiper)

Protruding from the end surface of a ball nut, flexible finger parts are pressed by a spring to eliminate the gap, fit the shaft surface perfectly, and improve the dustproof ability dramatically.

The slit between the fingers can remove the particles scraped from the shaft surface. Available sizes for SS type ballscrew are shown in the table.

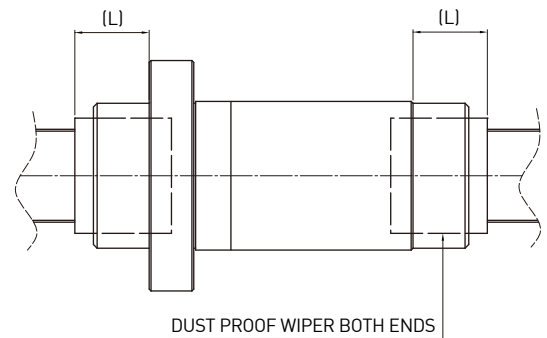
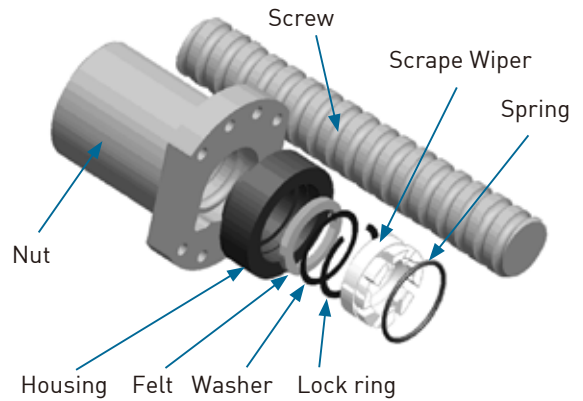


Nominal diameter	Lead	L Max.
25	-	5
32	-	5
36	< 10	5
	≥ 10	6
40	< 10	5
	≥ 10	6
45	< 10	5
	≥ 10	6
50	< 10	5
	≥ 10	6

Unit:mm

2. SH (Felt + Scrape Wiper)

Finger wiper and high dense felt prevents powdery dust and improve dustproof effect.

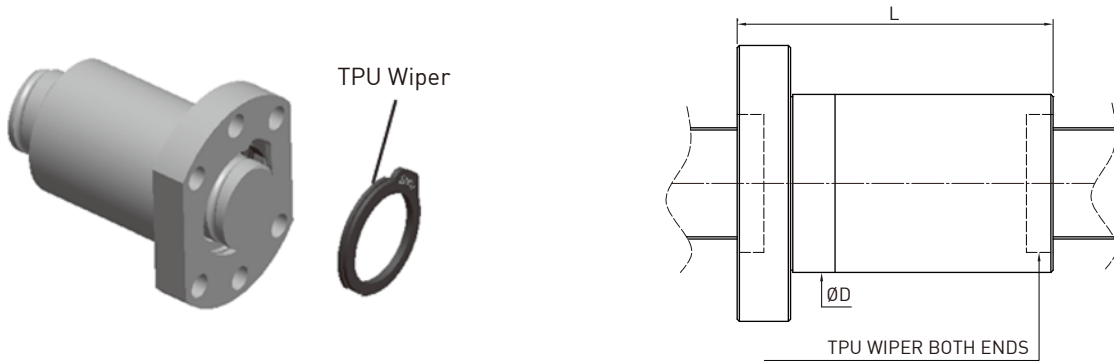


Unit:mm

Nominal diameter	Lead	L Max.
25	-	20
32	< 10	20
	≥ 10	25
36	< 10	20
	≥ 10	25
40	< 10	20
	≥ 10	30
45	< 10	20
	≥ 10	30
50	< 10	20
	≥ 10	30

### 3. EW (Wiper)

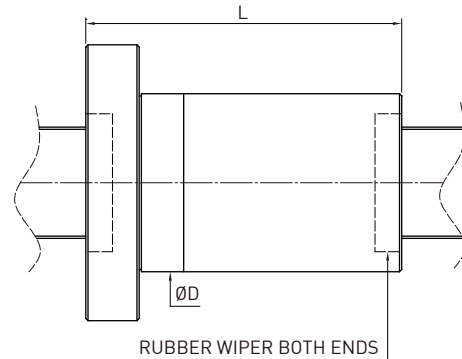
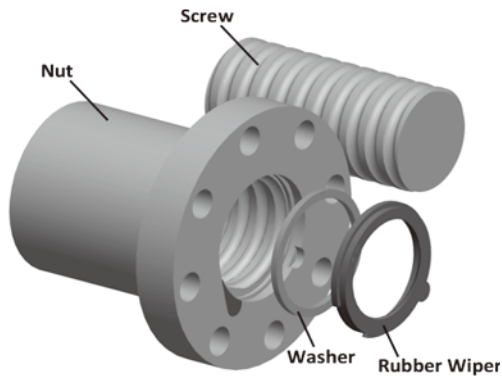
High dust-proof EW wiper is designed for standard DIN nut of Roller ballscrew, suited for applications like woodworking machining, graphite machining etc.



Model	Ball Dia. (mm)	Nominal Dia. (mm)	Lead (mm)	Dynamic Load C(kgf)	Static Load Co(kgf)	ØD	L
R12-5K3	2	12	5	540	900	24	28
2R12-10K2	2.381	12	10	440	660	24	33
R15-5K4	3	15	5	1290	2140	28	38
L15-5K4	3	15	5	1290	2140	28	38
2R15-10K3	3	15	10	1010	1670	28	45
4R15-16K3	3	15	16	1010	1730	28	61
R20-5K4	3	20	5	1500	2930	36	40
2R20-10K4	3	20	10	1520	3050	36	60
4R20-20K3	3.175	20	20	1250	2420	36	77
R25-5K5	3	25	5	2040	4680	38	57
R25-10K4	3	25	10	1660	3680	40	64
4R25-25K4	3.175	25	25	1380	3990	40	71
R32-5K4	3.175	32	5	2070	5360	50	48
R32-10K5	3.969	32	10	3390	8160	50	77
2R32-20K3	3.969	32	20	2130	4890	50	84
4R32-32K2	3.969	32	32	1440	3170	50	88
R38-10K4	6.35	38	10	5660	12410	63	70
2R38-20K3	6.35	38	20	4300	9060	63	88
4R38-40K2	6.35	38	20	2900	5910	63	108

#### 4. NW (Wiper)

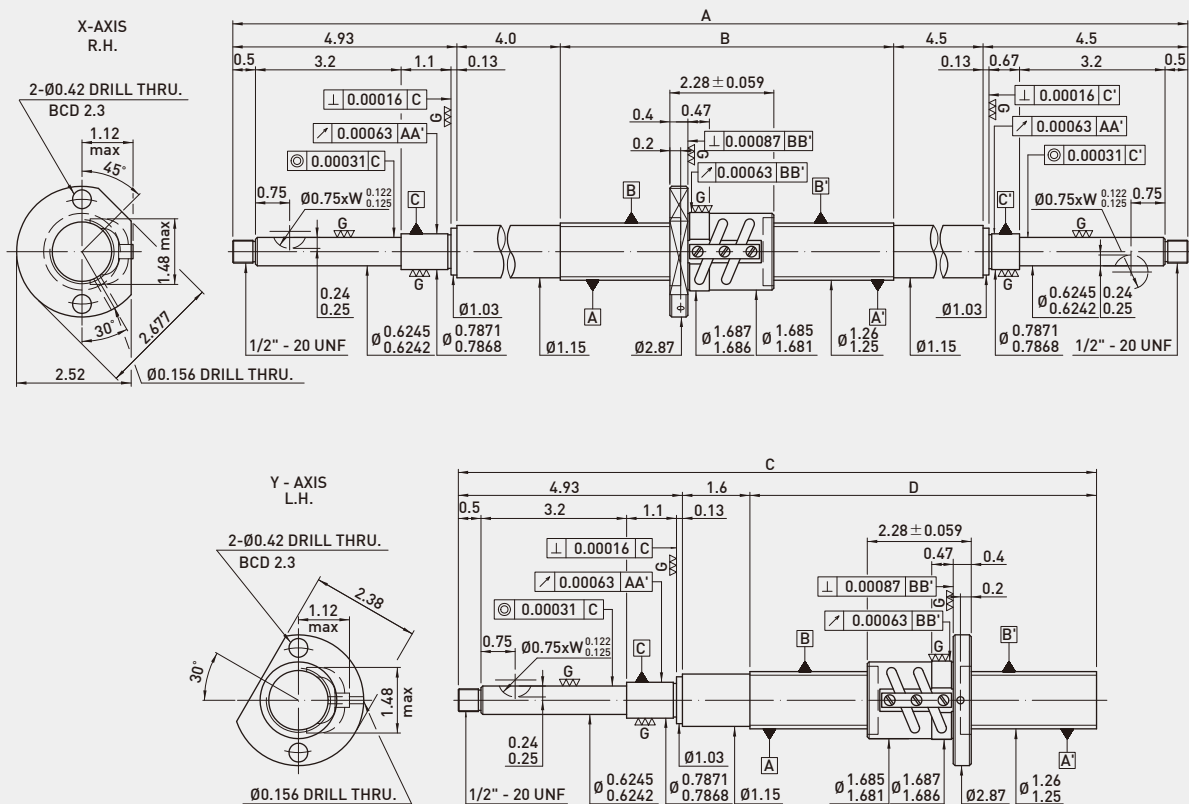
Seal type NW wiper is designed for standard DIN nut of Roller ballscrew, suited for applications like transport equipment, automation equipment etc.



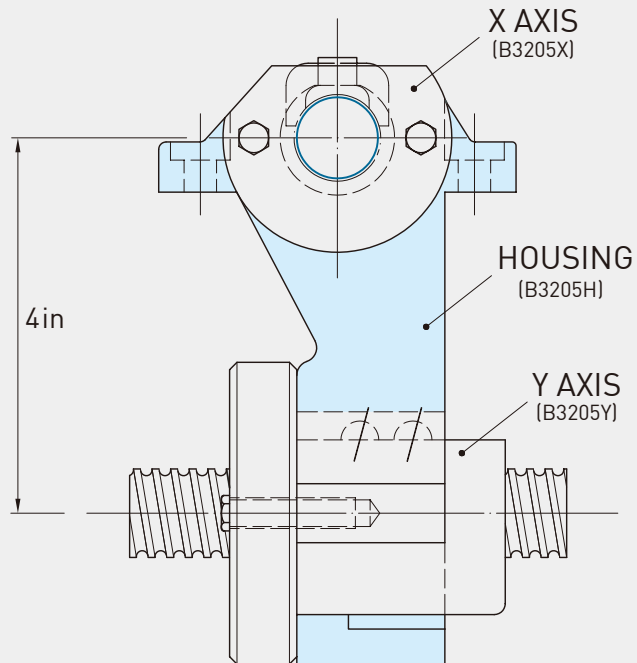
Model	Ball Dia. (mm)	Nominal Dia. (mm)	Lead (mm)	Dynamic Load C(kgf)	Static Load Co(kgf)	ØD	L
2R12-10K3	2.381	12	10	520	1030	24	43
2R15-10K3	3.175	15	10	860	1740	34	44
4R15-16K3	3	15	16	810	1730	28	61
4R15-20K2	3.175	15	20	570	1130	34	50
R16-5T3	3.175	16	5	664	1195	28	40
R16-10T3	3.175	16	10	623	1102	28	60
R20-5K4	3.175	20	5	1340	3270	36	40
R20-10K3	3.175	20	10	990	2260	36	47
4R20-20K2	3.175	20	20	690	1560	36	57
R25-5K5	3.175	25	5	1820	5240	40	48
R25-10K4	3.175	25	10	1480	4120	40	61
4R25-25K2	3.175	25	25	760	1950	40	70
R32-5K4	3.175	32	5	1660	5370	50	38
R32-10K4	3.969	32	10	2210	6470	50	63
2R32-20K3	3.969	32	20	1710	4890	50	88
4R32-32K2	3.969	32	32	1160	3170	50	88
R38-10K4	6.35	38	10	4550	12410	63	70
2R38-20K4	6.35	38	20	4490	12290	63	108
4R38-40K2	6.35	38	40	2330	5910	63	102
R40-5K5	3.175	40	5	2200	8320	63	45
R40-10T3	6.35	40	10	2651	6366	63	74
4R40-40K2	6.35	40	40	2390	6260	70	102
R48-10K6	6.35	48	10	7330	24280	75	90
R50-5K6	3.175	50	5	2830	12720	75	50
R50-10T4	6.35	50	10	3899	11112	75	89
R63-10T4	6.35	63	10	4369	14273	90	91

## 8.7 Ballscrew Retrofit Kits for Manual Milling Machine

1. Precision ground, lead accuracy within  $\pm 0.0005''$  /ft.
2. Stock size meet various CNC systems' requirements.
3. High strength and long service life.



unit: inch



Traverse Screw (X Axis) in			
Traverse Screw	A	B	Part Number
32	42	24.07	B3205X-32
36	46	28.07	B3205X-36
42	52	34.07	B3205X-42
48	58	40.07	B3205X-48

Crossfeed Screw (Y Axis) in.			
Table Size	C	D	Part Number
9	20.3	13.77	B3205Y-9
12	23.3	16.77	B3205Y-12
16	27.3	20.77	B3205Y-16

P.C.Dia.	1.28"
Ball Dia.	0.125"
Lead Angle	2.84°
Circuits	2.5x2
Lead	5TPI
Static Load	12491 lbf
Dynamic Load(1x10 <sup>6</sup> revs)	4158 lbf
Lead Accuracy	0.0003"/2n; 0.0005"/ft
Drag Torque(Preload)	3.5in-lb (280lbs)

# 9. HIWIN GREASE

## 9.1 HIWIN G01 Heavy-load Grease

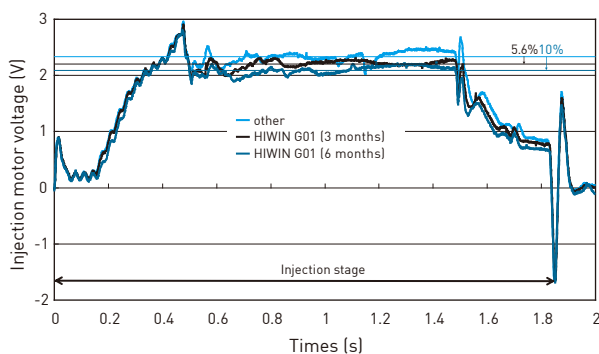
### • Features

1. Excellent wear resistance and extreme pressure resistance under heavy load conditions.
2. Low friction in low temperatures.
3. Water resistant.
4. Can be applied by a central lubrication system.
5. Suitable for all-electric injection molding machine, die-stamping machines, semi-conductor manufacturing equipment, heavy load actuator, industry machine and forging machine.

### • Basic Properties

		HIWIN G01	
Color		Light yellow	
Base Oil		Mineral oil	
Consistency Enhancer		Polyurea	
Additive		Solid lubricant	
Service Temp. (°C)		-15~115	
NLGI-grade (0.1mm)		310-340	
Viscosity (cst)	40°C	500	
	100°C	30	
Drop Point (°C)		> 170	
4-ball test	Load on boundary lubrication when 900rpm (N)	>1700	
	Load on boundary lubrication when 1770rpm (N)	>1300	
	HIWIN G01	other	Note
Property of anti extreme pressure	●	▲	4-ball test 900rpm 42%more 1770rpm 30%more
	●	▲	4-ball test 80kgf 30rpm 23%more
Anti wear	●	▲	Injection motor votage 10%lower
Low friction	●	●	
Water resistance	●	●	
Rust proof	●	●	Corrosion on copper test
Service temperature range	-15 ~115	-20 ~130	

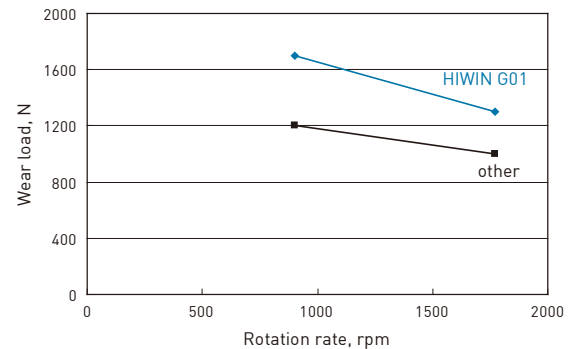
### • All-electric injection molding machine(80ton) — motor driving voltage of injection unit BS



### • Test of Resistance to Extreme Pressure

#### Test Condition and Measurement

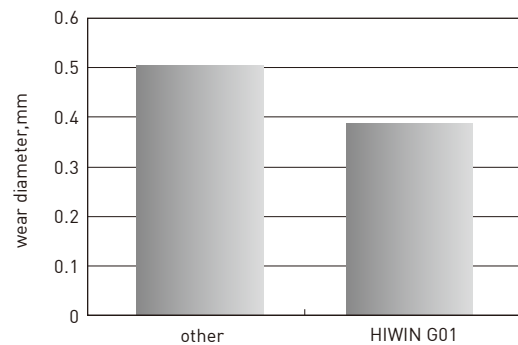
Ball diameter	1/2 in
Temperature	27°C
Test time	10 sec
Rotational speed	900、1770 rpm
measurement	Load when ball wear diameter become 500μm



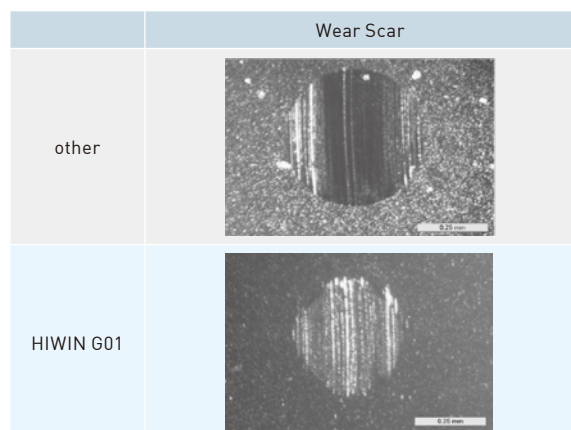
### • Test of Anti-wear

#### Test Condition and Measurement

Ball diameter	1/2 in
Temperature	75°C
Test time	60 min
Rotational speed	30 rpm
load	80 kgf
measurement	Wear diameter of ball contact point



Comparison of wear diameter



Comparison of wear scar

## 9.2 HIWIN G02 Low Particle-emitting Grease

### • Features

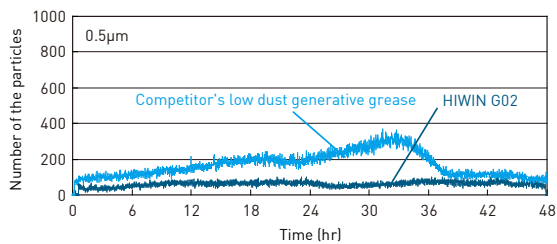
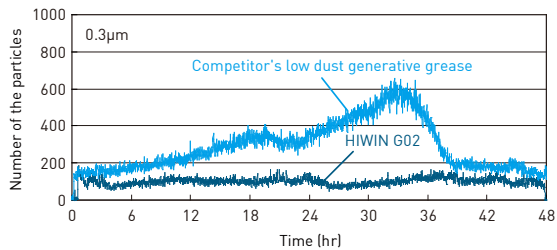
- 1.Low dust generation, suitable for clean room environment.
- 2.Wear resistant.
- 3.Long term grease, suitable for wide temperature range.
- 4.Consists of synthetic hydrocarbon oil and special calcium soap. resistant to oxidation and aging.
- 5.Can be used in plastic/steel and plastic/plastic components, compatible with elastomers and plastic materials.

### • Basic Properties

		HIWIN G02
Color		Beige
Base Oil		Synthetic hydrocarbon oil
Consistency Enhancer		Special calcium soap
Service Temp. [°C]		-30~140
NLGI-grade (0.1mm)		265-295
Viscosity (cst)	40°C	100
	100°C	15
Drop Point [°C]		>180
4-ball test (ASTM D2266)		474μ

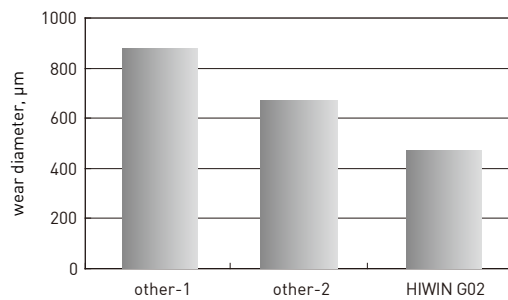
	HIWIN G02	other	Note
Anti wear	●	▲	4-ball test (ASTM D2266) 46%more
Dust generation	●	▲	Dust generation of KK in clean room
Anti-Corrosion	●	●	
Service Temperature Range	-30~140	-30~120	

### • Dust generation



### • 4-ball test(ASTM D2266)

	Wear Scar	Diameter (µm)
other-1		879
other-2		669
HIWIN G02		474





## 9.3 HIWIN G03 Low Particle-emitting (High Speed) Grease

### • Features

- 1.Low dust generation characteristics and suitable for clean room environment.
- 2.Wear resistant under high speed conditions.
- 3.Long term grease, well wear resistance under high speed conditions.
- 4.Low starting and running torques particularly at low temperatures, to ensure high efficiency and conserve energy.
- 5.Compatible with plastic components.

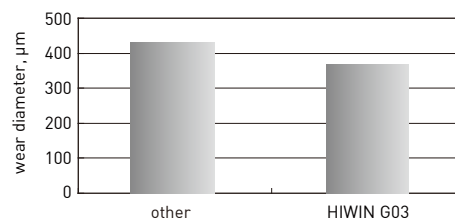
### • Basic Properties

		HIWIN G03
Color		Beige
Base Oil		Synthetic hydrocarbon oil
Consistency Enhancer		Special calcium soap
Service Temp. (°C)		-45~125
NLGI-grade (0.1mm)		265-295
Viscosity (cst)	40°C	30
	100°C	5.9
Drop Point (°C)		>210
4-ball test (ASTM D2266)		366µm

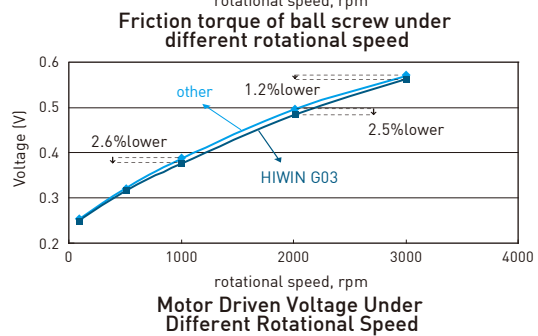
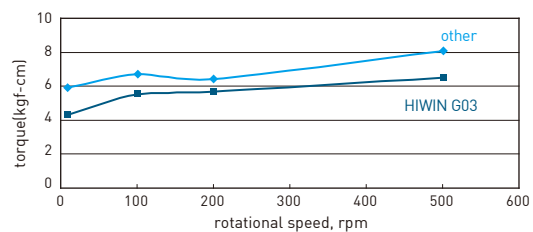
	HIWIN G03	other	Note
Anti wear	●	●	4-ball test (ASTM D2266) 15%more
Dust generation	●	●	Dust generation of KKin clean room
Friction torque at low speed	●	▲	7~15 % lower less than 500rpm
Friction resistance at high speed	●	▲	Motor voltage 1.2~2.6% lower
Service Temperature Range	-45~125	-10~80	

### • 4-ball test (ASTM D2266)

	Wear Scar	Diameter (µm)
other		432
HIWIN G03		366

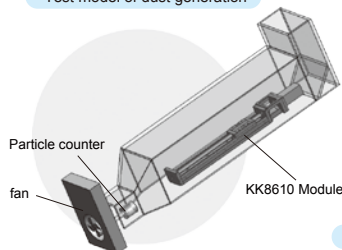


### • Wear resistance

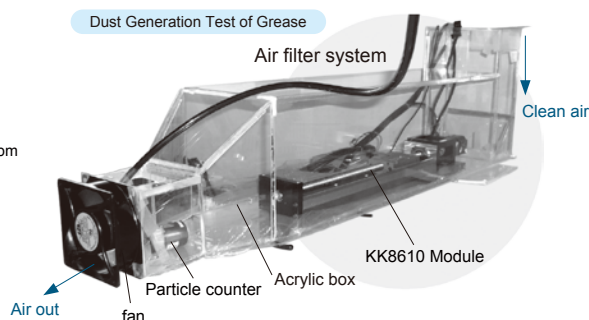


### • Dust generation

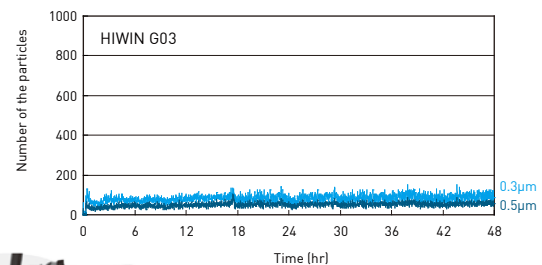
Test model of dust generation



Dust Generation Test of Grease



Test Condition : Air speed 2.5m/s  
Rotational Speed of Screw : 1000rpm  
Stroke : 210mm



## 9.4 HIWIN G04 High Speed Grease

- **Features**

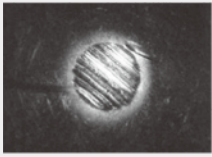
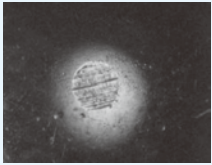
1. Wear resistant under high speed conditions
2. Low friction force under high speed conditions
3. Water resistant

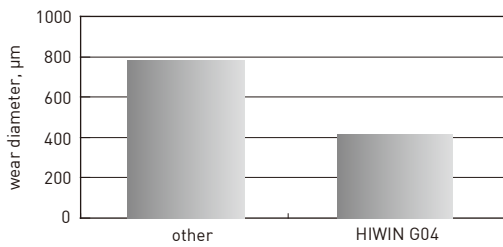
- **Basic Properties**

		HIWIN G04
Color		Beige
Base Oil		ESTER/PAO
Consistency enhancer		LITHIUM SOAP
Service Temp. (°C)		-35~120
NLGI-grade (0.1mm)		260-280
Viscosity (cst)	40°C	25
	100°C	6
Drop Point (°C)		>225
4-ball test (ASTM D2266)		418µm

	HIWIN G04	other	Note
Anti-wear	●	▲	4-ball test (ASTM D2266) 46% more
Low Friction	●	▲	motor voltage 4.6% lower at 3000rpm
Service Temperature Range	-45~125	-10~80	

- **4-ball test (ASTM D2266)**

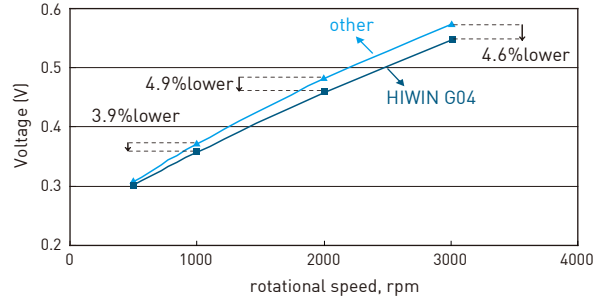
	Wear Scar	Diameter (µm)
other		781
HIWIN G04		418



- **Wear resistance**

Screw Type : 40-10

Test Condition : motor driven voltage by different grease and rotational speed



## 9.5 HIWIN G05 General Type Grease

### • Features

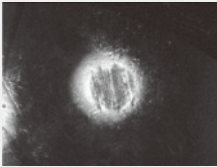
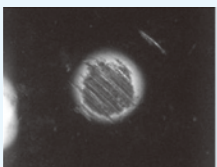
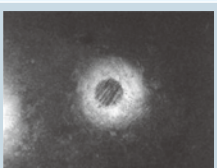
1. Wear resistant under high speed conditions
2. Low friction force under high speed conditions
3. Water resistant

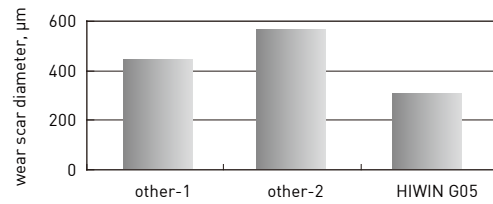
### • Basic Properties

		HIWIN G05
Color		Brown
Base Oil		MINERAL
Consistency enhancer		LITHIUM SOAP
Service Temp. [°C]		-15~120
NLGI-grade (0.1mm)		270-285
Viscosity (cst)	40°C	200
Drop Point [°C]		190
4-ball test	Wear scar diameter (μm) (ASTM D-2266)	291μm
	Welding load (N) (DIN 51350-4)	2600/2800

	HIWIN G05	other	Note
Anti-wear	●	▲	4-ball test (ASTM D2266) increases 38%~49%
Low Friction	●	▲	increases 16%~19%
Service Temperature Range	●	●	

### • 4-ball test (ASTM D2266)

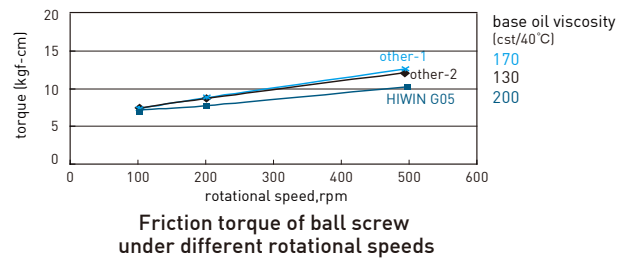
	Wear Scar	Diameter (μm)
other-1		468
other-2		567
HIWIN G05		291



### • Wear resistance

Screw diameter : 40mm

Lead : 10mm



Friction torque of ball screw under different rotational speeds

## 9.6 HIWIN G06 High Frequency or Short-stroke Condition Grease

### • Features

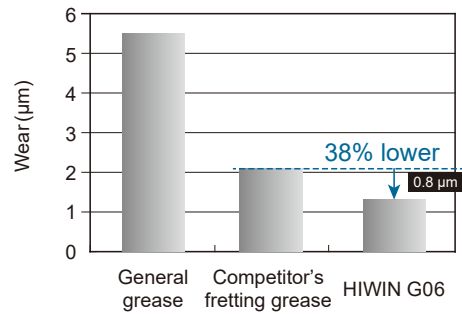
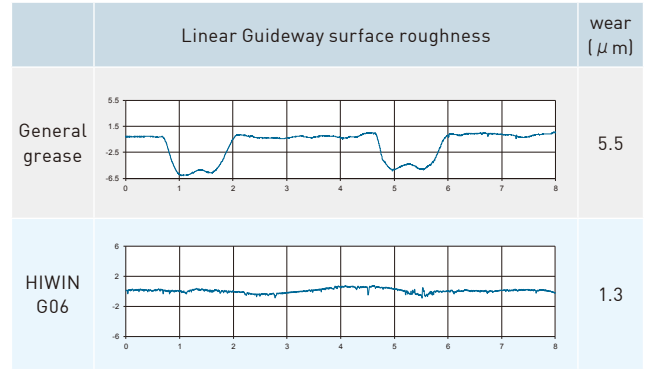
1. Well wear resistance under high frequency(1.5~3G) or short-stroke condition.
2. Long term grease, suitable for wide temperature range.
3. Can be used in plastic/steel and plastic/plastic components, compatible with elastomers and plastic materials.

### • Basic Properties

		HIWIN G06
Color		Beige
Base Oil		PAO
Consistency enhancer		Special Lithium Soap
Service Temp. (°C)		-45~130
NLGI-grade (0.1mm)		265-295
Viscosity (cst)	40°C	32
	100°C	6
Drop Point (°C)		190

	HIWIN G06	Another general grease	Note
Anti wear	●	✘	High frequency & short-stroke 3mm, 600 cycles/min increases 300%
Service temperature range	●	▲	

### • High frequency & short-stroke condition test (stroke 3mm, 600 cycles/min)



## 9.7 HIWIN G07 Low Temperature Condition Grease

### • Features

1. For low temperature condition: -50°C to 0°C.
2. Low starting and running torques particularly at low temperatures

### • Basic Properties

		HIWIN G07
Color		Beige
Base Oil		Mineral
Consistency enhancer		Lithium- calcium soap
Service Temp. (°C)		-50~80
NLGI-grade (0.1mm)		310-340
Viscosity (cst)	40°C	14
	100°C	3

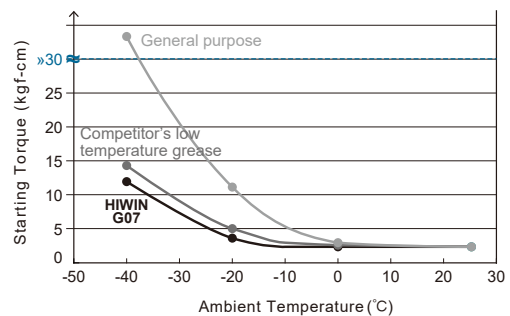
	HIWIN G07	Competitor's low temperature grease	Note
Low starting torque (at low temperature condition)	●	▲	Ballscrew starting torque 20% lower at -40°C
Low Temperature Adaptability	●	●	

### • Low temperature torque test

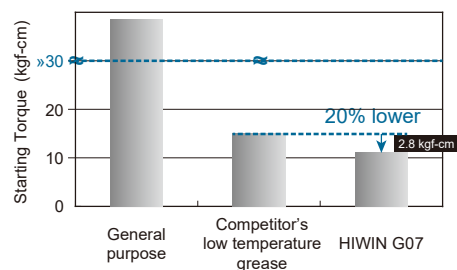
Sample : Ballscrew

Model : Diameter Ø25 mm, Lead 5mm

Test Conditions : -40°C~25°C



Comparison of different starting torque caused by grease at -40°C



# A. Ballscrew Failure Analysis

## A1 Preface

In recent years, more and more ballscrews are installed in various machines to meet the requirements of higher accuracy and better performance. Ballscrews have become one of the most widely used power transmission components. In CNC machines, ballscrews help improve positioning accuracy and elongate service life. Ballscrews are also increasingly used to replace ACME screws in manually operated machines.

A ballscrew is normally preloaded to minimize the backlash of machine movement. Even a high precision ballscrew will not provide good accuracy and long service life if it is not installed properly.

This article discusses primary ballscrew problems and their precautions. Some measuring procedures are also discussed to help users locate the cause of an abnormal backlash.

## A2 Causes and Precautions for Ballscrew Problems

Three major categories of ballscrew problems and their precautions are discussed as follows.

### A2-1 Too much play

#### 1. No preload or insufficient preload :

The ball nut will rotate and move downward by its own weight when a non-preloaded ballscrew is held vertically with the screw spindle constrained. A significant backlash may exist in a non-preloaded ballscrew unit. Therefore non-preload ballscrews are only used in machinery, where low operation resistance but not positioning accuracy is the major concern.

HIWIN can determine the correct amount of preload based on different applications. We can also preset the amount of preload before shipment. Be sure to clearly specify the operation condition of your application when you order a ballscrew unit.

#### 2. Too much torsional displacement :

(1) Incorrect heat treatment, hardened layer too thin, non-homogeneous hardness distribution, or material too soft: Standard hardness of steel balls, ball nuts, and screw spindles are HRC 62-66, 58-62, and 58-62, respectively.

(2) Incorrect design-L/D ratio too high, etc:

The lower the L/D (length/diameter) ratio, the more rigid the spindle is. L/D ratio should be limited to under 60. (The accuracy grade related to this L/D range is shown in Table 4.10) There will be a significant deflection (torsional displacement ) if the L/D ratio is too high. The ballscrew installation shown in Fig A-1 is supported at one end only. This kind of "non-rigid" design should be avoided if possible.

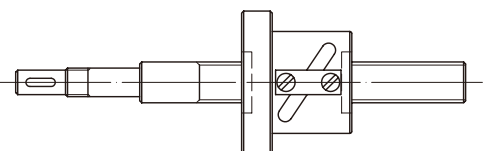


Fig. A-1 The installation of ballscrews.

#### 3. Inappropriate bearing selection :

Angular ball bearings should be used in ballscrew installation. A ball bearing with high pressure angle specially designed for ballscrew installation is an even a better choice. A regular deep groove ball bearing will generate a significant amount of axial play when axially loaded. It should not be used in this application.

#### 4. Inappropriate bearing installation :

(1) If the bearing is not attached to the screw spindle properly, it will cause axial play under load. This problem may be caused by the bearing journal of the screw spindle being too long or the non-threaded part of the screw spindle being too short.

(2) The perpendicularity between the bearing seating face and the thread axis of the bearing locknut on the ballscrew, or the parallelism between the opposite faces of the locknut is out of tolerance causing the bearing to tilt. The thread for bearing lock nut and the seating face of a bearing in the ballscrew journal should be machined in one setting to ensure the perpendicularity. It is even better if they can be ground.

(3) Two lock nuts and a spring washer should be used in the bearing installation to prevent them from getting loose in operation.

**5. The ball nut housing or the bearing housing is not rigid enough :**

The ball-nut-mounted housing or the bearing-mounted housing may deflect under components' weight or machining load if it is not rigid enough. The test illustrated in Fig A-4 (d) can be used to check the rigidity of the ball-nut-mounted housing. Similar tests can be used to check the rigidity of the bearing-mounted housing.

**6. The ball nut housing or the bearing housing is not mounted properly :**

- (1) Components may become loose due to vibration or lack of locating pin(s). Solid pins instead of spring pins should be used for locating purposes.
- (2) Ball-nut-seated screws are not seated firmly because the screws are too long or the thread holes on housing are too short.
- (3) Ball-nut-seated screws become loose due to vibration and lack of a spring washer.

**7. Parallelism or flatness of the housing surface is out of tolerance :**

In a machine assembly, a shim bar is frequently located between the housing location surface and the machine body for adjustment purpose. The clearance of table movement may vary at different locations if the parallelism or flatness of any matching component is out of tolerance no matter they are ground or scraped.

**8. The motor and the ballscrew spindle are not assembled properly :**

- (1) There will be a relative rotation between the motor shaft and the ballscrew spindle if the connecting coupling is not installed firmly or the coupling itself is not rigid enough.
- (2) Driving gears are not engaged properly or driving mechanism is not rigid. A timing belt should be used to prevent slipping if the ballscrew is to be driven by a belt.
- (3) Key is loose in the groove. Any inappropriate match among the hub, key, and key seat may cause these components to generate backlash.

## A2-2 Unsmooth operation

**1. Defects from ballscrew manufacturing :**

- (1) The track surface of the ballscrew spindle or the ball nut is too rough.
- (2) The roundness of the bearing balls, the ball nut or the ballscrew spindle is out of tolerance.
- (3) The lead or the pitch circle diameter of the ball nut / the spindle is out of tolerance.
- (4) The return tube is not attached to the ball nut appropriately.
- (5) Uneven bearing ball size or hardness. The above problems should not be found in the manufacturers of top quality.

**2. Foreign objects enter the ball path :**

- (1) Packing material is trapped in the ball path. Various materials and anti-rust paper are normally used to pack ballscrew units for shipment. It is possible to have these foreign materials or other objects trapped in the ball path if proper procedures are not followed while installing or aligning the ballscrew unit. This may cause the bearing balls to slide instead of rolling or even cause the ball nut to freeze completely.
- (2) Machined chips get in the ball track. The chips or dust generated during machining processes may be trapped in the bearing ball track if wiper kits are not used to keep them away from the surface of the ballscrew unit. This may cause unsmooth operation, deteriorate accuracy and reduce service life.

**3. Over-travel :**

Over-travel can damage the return tube and cause it to collapse or even break. When this happens, the bearing balls will not circulate smoothly. They may break and damage the groove on the ball nut or the ballscrew spindle under severe circumstances. Over-travel may happen during set-up or as the result of a limit switch failure or a machine collision. To prevent further damage, an over-traveled ballscrew should be checked or repaired by the manufacturer before it goes back into service.

**4. Damaged return tube:**

The return tube may collapse and cause the same problems as mentioned above if it is hit heavily during installation.

**5. Misalignment:**

Radial load exists if the center line of the ball nut's housing and the screw spindle's bearing support housing are

not aligned properly. The ballscrew unit may bend if this misalignment is too large. An abnormal wear may still happen even if the misalignment is not significant enough to cause a noticeable bending. The accuracy of a ballscrew unit will deteriorate rapidly if it is misaligned. The higher the preload is set in the nut, the more demanding the alignment accuracy is required in the ballscrew.

**6. The ball nut is not mounted properly on the nut housing:**

Eccentric load exists when the mounted ball nut is tilted or misaligned. If this is the case, the motor current may fluctuate during rotation.

**7. Ballscrew unit is damaged during transportation**

**A2-3 Fracture**

**1. Broken bearing ball :**

Cr-Mo steel is the most commonly used material for bearing balls. It takes about 1,400kg (3,080LB) to 1,600kg (3,520LB) to break a steel ball of 3.175 mm (1/8 in) diameter. The temperature of an under-lubricated or non-lubricated ballscrew raises substantially during operation. This temperature rise could make the bearing balls brittle or break which causes damage to the grooves of the ball nut or the ballscrew spindle consequently.

Therefore, lubricant replenishment should be considered during the design process. If an automatic lubricating system is not available, a periodic grease replenishment should be scheduled as part of maintenance program.

**2. Collapsed or broken return tube :**

Over-travel of the ball nut or an impact on the return tube could cause the return tube to collapse or break. This may block the path of bearing balls and cause them to slide instead of rolling and eventually break.

**3. Ballscrew spindle end breaks :**

(1) Inappropriate design: Sharp corners on the ballscrew spindle should be avoided to reduce local stress concentration. (Fig. A2) shows some of the appropriate screw end designs.

(2) Bend of screw spindle journal: The seating surface of the bearing of the ballscrew and the thread axis of the bearing's lock nut are not perpendicular to each other or the opposite sides of the lock nut are not parallel to each other. This will cause the end of screw spindle to bend and eventually break. The amount of deflection at the end of the ballscrew spindle (Fig A-3) before and after the bearing's lock nut being tightened should not exceed 0.01 mm (0.0004 in).

(3) Radial force or fluctuating stress: Misalignment in the ballscrew installation creates abnormal fluctuating shear stress and causes the ballscrew to fail prematurely.

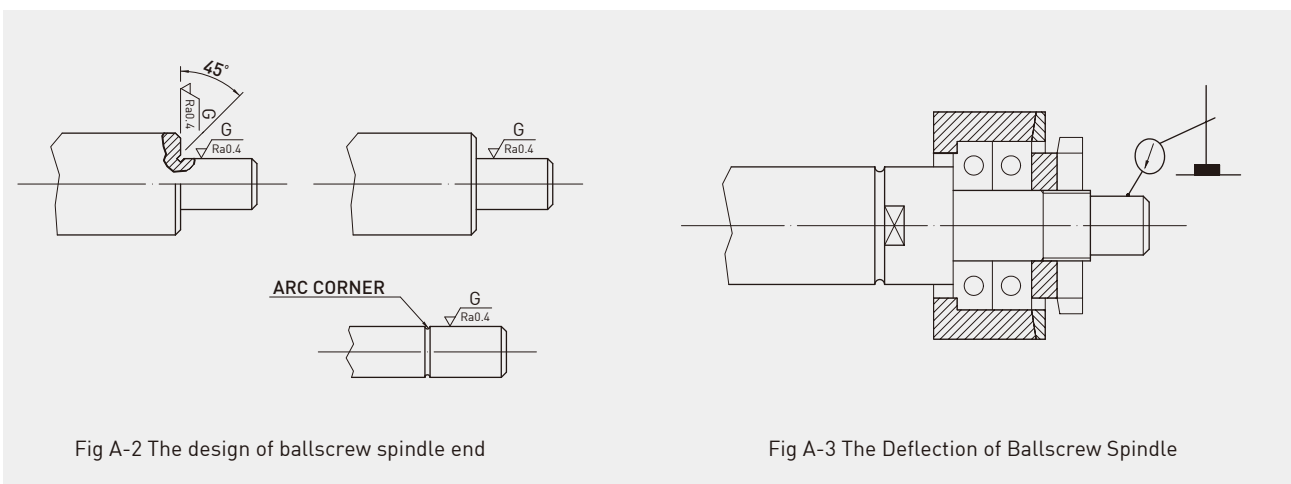


Fig A-2 The design of ballscrew spindle end

Fig A-3 The Deflection of Ballscrew Spindle

## A3 Locating the Cause of an Abnormal Backlash

The following measurement procedures can be performed to locate the cause of an abnormal backlash in the ballscrew installation.

1. Glue a gauge ball in the center hole at one end of the screw spindle. Use the flat plate of a dial indicator to check the axial movement of this gauge ball in axial direction while rotating the screw spindle (Fig A-4(a)). The movement should not exceed 0.003mm (0.00012 in), if the bearing hub, the ball nut, and the ball nut housing are all installed properly.

2. Use a dial indicator to check the relative movement between the bearing housing and the bearing seat while rotating the ballscrew (Fig A-4(b)). Any dial indicator reading other than zero indicates that either the bearing hub is not rigid enough or it is not installed properly.

3. Check the relative movement between the machine table and the ball nut housing (Fig A-4(c)).

4. Check the relative movement between the ball nut housing and the ball nut flange (Fig A-4(d)).

Contact the ballscrew manufacturer if an unsatisfactory backlash still exits while all the above checks are ok. The preload or the rigidity of the ballscrew may have to be increased.

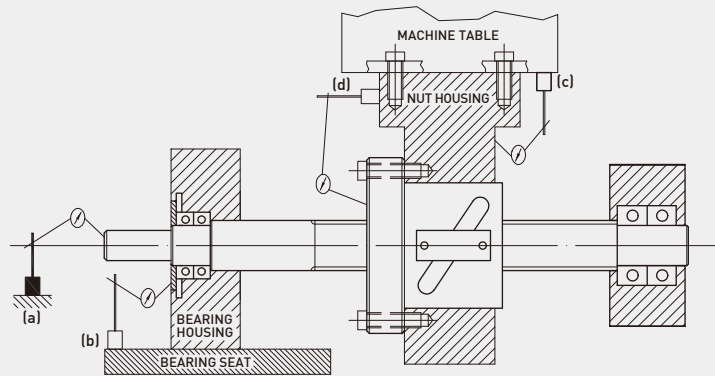


Fig. A-4 Locating the cause of an Abnormal Backlash



## B. Standard Housing Dimension Tolerance

Unit:  $\mu\text{m}=0.001\text{mm}$

Dimensional range (mm)	E		F			G			H						Js		J		K		M		N		P		R		Dimensional range (mm)			
	Over	Incl.	E10	E11	F6	F7	F8	F6	G6	G7	H5	H6	H7	H8	H9	H10	Js6	Js7	J6	J7	K6	K7	M6	M7	N6	N7	P6	P7	R6	R7	Over	Incl.
3		6	+68 +20	+95 +20	+18 +10	+22 +10	+28 +10	+12 +4	+16 +4	+5 0	+8 0	+12 0	+18 0	+30 0	+48 0	$\pm 4$	$\pm 6$	+5 -3	+6 -6	+2 -6	+3 -9	-1 -9	0 -12	-4 -16	-8 -20	-7 -17	-8 -20	-11 -23	-12 -20	-11 -23	3	6
6		10	+83 +25	+115 +25	+22 +13	+28 +13	+35 +13	+14 +5	+20 +5	+6 0	+9 0	+15 0	+22 0	+36 0	+58 0	$\pm 4.5$	$\pm 7.5$	+5 -4	+8 -7	+2 -7	+5 -10	-3 -12	0 -15	-4 -19	-4 -16	-9 -21	-12 -24	-9 -24	-16 -28	-13 -28	6	10
10		14	+102	+142	+27	+34	+43	+17	+24	+8	+11	+18	+27	+43	+70	$\pm 5.5$	$\pm 9$	+6 +10	+10 +10	+2 +6	+6 +6	-4 -4	0 0	-9 -5	-5 -20	-11 -23	-15 -26	-11 -24	-16 -24	-16 -24	10	14
14		18	+32	+32	+16	+16	+16	+6	+6	0	0	0	0	0	0	$\pm 6.5$	$\pm 10.5$	-5 +8	-8 +12	-9 +2	-12 +6	-15 -4	-18 0	-23 -7	-23 -7	-26 -18	-29 -14	-31 -24	-24 -20	-24 -18	14	18
18		24	+124	+170	+33	+41	+53	+20	+29	+9	+13	+21	+33	+52	+84	$\pm 8$	$\pm 12.5$	+8 -5	+12 +14	+2 +3	+6 +7	-4 -4	-4 -4	-11 -24	-7 -8	-14 -17	-18 -31	-14 -35	-20 -41	-20 -41	18	24
24		30	+40	+40	+20	+20	+20	+7	+7	0	0	0	0	0	0	$\pm 8$	$\pm 12.5$	+10 -6	+14 -11	+3 -13	+7 -18	-4 -20	0 -25	-8 -33	-8 -33	-17 -42	-21 -42	-29 -45	-25 -50	-30 -40	30	40
30		40	+150	+210	+41	+50	+64	+25	+34	+11	+16	+25	+39	+62	+100	$\pm 9.5$	$\pm 15$	+13 -6	+18 -12	+4 -15	+9 -21	-5 -24	0 -30	-14 -33	-9 -39	-26 -45	-21 -51	-30 -45	-60 -80	-60 -80	40	50
40		50	+50	+50	+25	+25	+25	+9	+9	0	0	0	0	0	0	$\pm 11$	$\pm 17.5$	+16 -6	+22 -13	+4 -18	+10 -25	-6 -28	0 -35	-16 -45	-10 -45	-30 -52	-24 -59	-38 -76	-38 -76	50	65	
50		65	+180	+250	+49	+60	+76	+29	+40	+13	+19	+30	+46	+74	+120	$\pm 9.5$	$\pm 15$	+13 -6	+18 -12	+4 -15	+9 -21	-5 -24	0 -30	-14 -33	-9 -39	-26 -45	-21 -51	-30 -45	-60 -80	-60 -80	65	80
65		80	+60	+60	+30	+30	+30	+10	+10	0	0	0	0	0	0	$\pm 11$	$\pm 17.5$	+16 -6	+22 -13	+4 -18	+10 -25	-6 -28	0 -35	-16 -45	-10 -45	-30 -52	-24 -59	-38 -76	-38 -76	80	100	
80		100	+212	+292	+58	+71	+90	+34	+47	+15	+22	+35	+54	+87	+140	$\pm 11$	$\pm 17.5$	+16 -6	+22 -13	+4 -18	+10 -25	-6 -28	0 -35	-16 -45	-10 -45	-30 -52	-24 -59	-38 -76	-38 -76	100	120	
100		120	+72	+72	+36	+36	+36	+12	+12	0	0	0	0	0	0	$\pm 12.5$	$\pm 20$	+18 -7	+26 -14	+4 -21	+12 -28	-8 -33	0 -40	-20 -45	-12 -52	-36 -61	-28 -68	-50 -90	-50 -90	120	140	
120		140														$\pm 12.5$	$\pm 20$	+18 -7	+26 -14	+4 -21	+12 -28	-8 -33	0 -40	-20 -45	-12 -52	-36 -61	-28 -68	-50 -90	-50 -90	140	160	
140		160	+245	+335	+68	+83	+106	+39	+54	+18	+25	+40	+63	+100	+160	$\pm 12.5$	$\pm 20$	+18 -7	+26 -14	+4 -21	+12 -28	-8 -33	0 -40	-20 -45	-12 -52	-36 -61	-28 -68	-50 -90	-50 -90	160	180	
160		180	+85	+85	+43	+43	+43	+14	+14	0	0	0	0	0	0	$\pm 12.5$	$\pm 20$	+18 -7	+26 -14	+4 -21	+12 -28	-8 -33	0 -40	-20 -45	-12 -52	-36 -61	-28 -68	-50 -90	-50 -90	180	200	
180		200														$\pm 14.5$	$\pm 23$	+22 -7	+30 -16	+5 -24	+13 -33	-8 -37	0 -37	-22 -51	-14 -60	-41 -70	-33 -79	-63 -109	-63 -109	200	225	
200		225	+285	+390	+89	+96	+122	+44	+61	+20	+29	+46	+72	+115	+185	$\pm 14.5$	$\pm 23$	+22 -7	+30 -16	+5 -24	+13 -33	-8 -37	0 -37	-22 -51	-14 -60	-41 -70	-33 -79	-63 -109	-63 -109	225	250	
225		250	+100	+100	+50	+50	+50	+15	+15	0	0	0	0	0	0	$\pm 14.5$	$\pm 23$	+22 -7	+30 -16	+5 -24	+13 -33	-8 -37	0 -37	-22 -51	-14 -60	-41 -70	-33 -79	-63 -109	-63 -109	250	250	

# C. Standard Spindle Dimension Tolerance

Unit:  $\mu\text{m}=0.001\text{mm}$

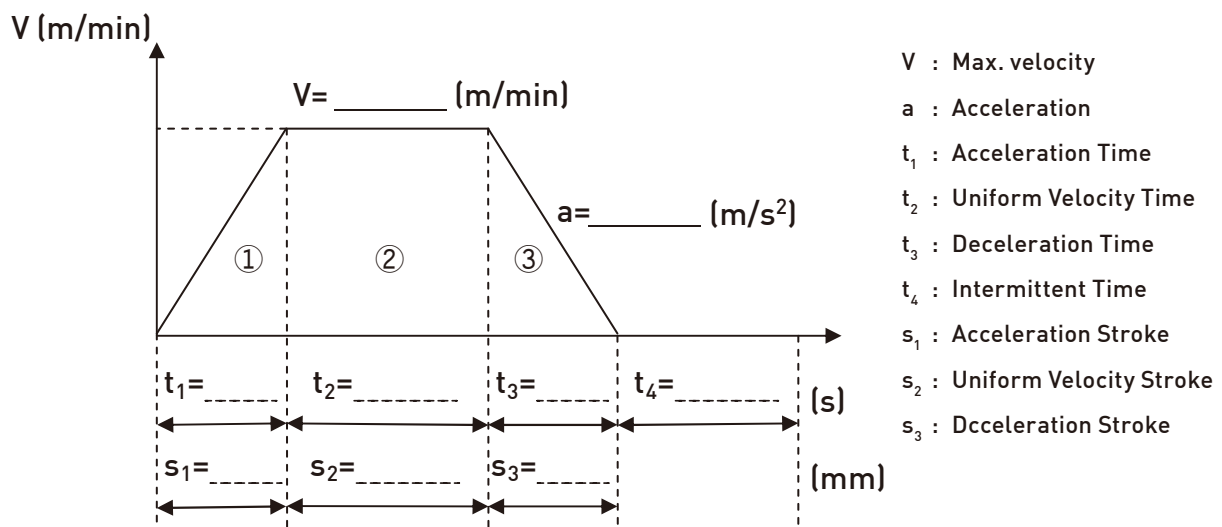
Dimensional range (mm)		a		c		d		e		f		g		h						js		j		k		m		n		p		r		Dimensional range (mm)	
Over	Incl.	a13	c12	d6	e6	f5	f6	g5	g6	h5	h6	h7	h8	h9	h10	js5	js6	j5	j6	k5	k6	m5	m6	n5	n6	p5	p6	r6	r7	Over	Incl.				
3	6	-270	-70	-30	-20	-10	-10	-4	-4	0	0	0	0	0	0	$\pm 2.5$	$\pm 4$	+3	+6	+6	+9	+9	+12	+13	+16	+17	+20	+23	+27	3	6				
6	10	-450	-190	-38	-28	-15	-18	-9	-12	-5	-8	-12	-18	-30	-48	$\pm 3$	$\pm 4.5$	+4	+7	+7	+10	+12	+15	+16	+19	+21	+24	+28	+34	6	10				
10	14	-500	-230	-49	-34	-19	-22	-11	-14	-6	-9	-15	-22	-36	-58	$\pm 4$	$\pm 5.5$	+5	+8	+9	+12	+15	+18	+20	+23	+26	+29	+34	+41	10	14				
14	18	-290	-95	-50	-32	-16	-16	-6	-6	0	0	0	0	0	0	$\pm 4.5$	$\pm 6.5$	+5	+9	+11	+15	+17	+21	+24	+28	+31	+35	+41	+49	18	24				
18	24	-560	-275	-61	-43	-20	-27	-14	-17	-8	-11	-18	-27	-43	-70	$\pm 4.5$	$\pm 6.5$	+4	+7	+7	+10	+12	+15	+18	+21	+24	+28	+34	+41	14	18				
24	30	-300	-110	-65	-40	-20	-20	-7	-7	0	0	0	0	0	0	$\pm 4.5$	$\pm 6.5$	+5	+9	+11	+15	+17	+21	+24	+28	+31	+35	+41	+49	18	24				
30	40	-630	-320	-78	-53	-29	-33	-16	-20	-9	-13	-21	-33	-52	-84	$\pm 5.5$	$\pm 8$	+6	+11	+13	+18	+20	+25	+28	+33	+37	+42	+50	+59	30	40				
40	50	-310	-120	-700	-370	-80	-50	-25	-25	0	0	0	0	0	0	$\pm 6.5$	$\pm 9.5$	+6	+12	+15	+21	+24	+30	+33	+39	+45	+51	+60	+60	50	65				
50	65	-360	-170	-119	-79	-43	-49	-23	-29	-13	-19	-30	-46	-74	-120	$\pm 7.5$	$\pm 11$	+6	+13	+18	+25	+28	+35	+38	+45	+52	+59	+73	+73	80	100				
65	80	-820	-450	-119	-79	-43	-49	-23	-29	-13	-19	-30	-46	-74	-120	$\pm 9$	$\pm 12.5$	+7	+14	+21	+28	+33	+40	+45	+52	+61	+68	+90	+105	140	160				
80	100	-380	-170	-120	-72	-36	-36	-12	-12	0	0	0	0	0	0	$\pm 9$	$\pm 12.5$	+6	+13	+18	+25	+28	+35	+38	+45	+52	+59	+76	+76	100	120				
100	120	-920	-520	-142	-94	-51	-58	-27	-34	-15	-22	-35	-54	-87	-140	$\pm 9$	$\pm 12.5$	+7	+14	+21	+28	+33	+40	+45	+52	+61	+68	+90	+105	140	160				
120	140	-410	-180	-142	-94	-51	-58	-27	-34	-15	-22	-35	-54	-87	-140	$\pm 9$	$\pm 12.5$	+7	+14	+21	+28	+33	+40	+45	+52	+61	+68	+90	+105	140	160				
120	140	-950	-530	-170	-110	-61	-68	-32	-39	-18	-25	-40	-63	-100	-160	$\pm 9$	$\pm 12.5$	+7	+14	+21	+28	+33	+40	+45	+52	+61	+68	+90	+105	140	160				
140	160	-460	-200	-145	-85	-43	-45	-14	-14	0	0	0	0	0	0	$\pm 9$	$\pm 12.5$	+7	+14	+21	+28	+33	+40	+45	+52	+61	+68	+90	+105	140	160				
140	160	-1090	-600	-170	-110	-61	-68	-32	-39	-18	-25	-40	-63	-100	-160	$\pm 9$	$\pm 12.5$	+7	+14	+21	+28	+33	+40	+45	+52	+61	+68	+90	+105	140	160				
160	180	-520	-210	-170	-110	-61	-68	-32	-39	-18	-25	-40	-63	-100	-160	$\pm 9$	$\pm 12.5$	+7	+14	+21	+28	+33	+40	+45	+52	+61	+68	+90	+105	140	160				
160	180	-1150	-610	-170	-110	-61	-68	-32	-39	-18	-25	-40	-63	-100	-160	$\pm 9$	$\pm 12.5$	+7	+14	+21	+28	+33	+40	+45	+52	+61	+68	+90	+105	140	160				
160	180	-580	-230	-170	-110	-61	-68	-32	-39	-18	-25	-40	-63	-100	-160	$\pm 9$	$\pm 12.5$	+7	+14	+21	+28	+33	+40	+45	+52	+61	+68	+90	+105	140	160				
160	180	-1210	-630	-170	-110	-61	-68	-32	-39	-18	-25	-40	-63	-100	-160	$\pm 9$	$\pm 12.5$	+7	+14	+21	+28	+33	+40	+45	+52	+61	+68	+90	+105	140	160				
160	180	-580	-230	-170	-110	-61	-68	-32	-39	-18	-25	-40	-63	-100	-160	$\pm 9$	$\pm 12.5$	+7	+14	+21	+28	+33	+40	+45	+52	+61	+68	+90	+105	140	160				
160	180	-1210	-630	-170	-110	-61	-68	-32	-39	-18	-25	-40	-63	-100	-160	$\pm 9$	$\pm 12.5$	+7	+14	+21	+28	+33	+40	+45	+52	+61	+68	+90	+105	140	160				

## D. HIWIN Ballscrew Inquiry (1/2)

Company \_\_\_\_\_ Date \_\_\_\_ Day \_\_\_\_ Month \_\_\_\_ Year  
 Address \_\_\_\_\_  
 Telephone \_\_\_\_\_ Fax \_\_\_\_\_  
 Machine Type \_\_\_\_\_ Application  X axis  Y axis  Z axis  
 Guide way  Rolling  Sliding  Hardened slideway  
 Attached  Yes ( Drawing No. \_\_\_\_\_ )  No

### 1.Operation conditions:

Life Expectancy	_____ hr	Shock/Vibration	<input type="checkbox"/> Smooth
Lubricant	<input type="checkbox"/> Oil <input type="checkbox"/> Grease <input type="checkbox"/> Other _____		<input type="checkbox"/> Normal <input type="checkbox"/> Vibration
Environment	<input type="checkbox"/> General environment <input type="checkbox"/> High dust <input type="checkbox"/> Clean room <input type="checkbox"/> Other _____ <input type="checkbox"/> In vacuum (Value of Pressure _____ Torr/mmHg) <input type="checkbox"/> High Temperature (Temperature _____ °C _____ °F)		



Operation conditions diagram

### 2. Specification factors of the ballscrew:

Operation Conditions	<input type="checkbox"/> Rotation Shaft <input type="checkbox"/> Rotation nut	Ballscrew Classification	<input type="checkbox"/> Rolled <input type="checkbox"/> Ground	Preload	_____ kgf
Turning Direction	<input type="checkbox"/> Right <input type="checkbox"/> Left	Accuracy Grade		Drag Torque	_____ kgf-cm
Seal	<input type="checkbox"/> Yes <input type="checkbox"/> No	Support Bearing			<input type="checkbox"/> Ball _____ <input type="checkbox"/> Roller _____
		Supplemental explanation			

## E. HIWIN Ballscrew Inquiry (2/2)

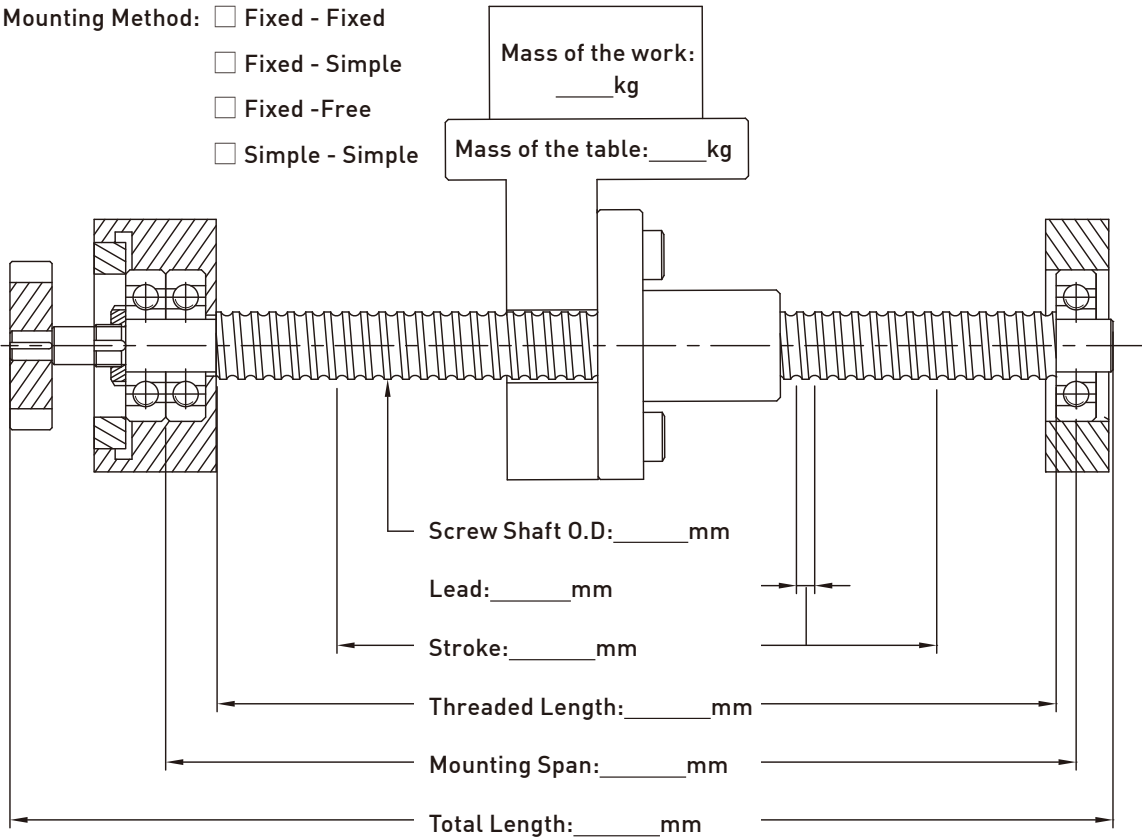
### 3. Horizontal Type:

Mounting Method:  Fixed - Fixed

Fixed - Simple

Fixed - Free

Simple - Simple



### 4. Vertical Type:

Mounting Method:

Fixed - Fixed

Fixed - Simple

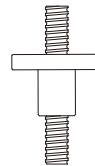
Fixed - Free

Simple - Simple

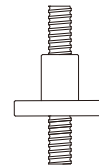
Flange installation direction:

Flange at the top

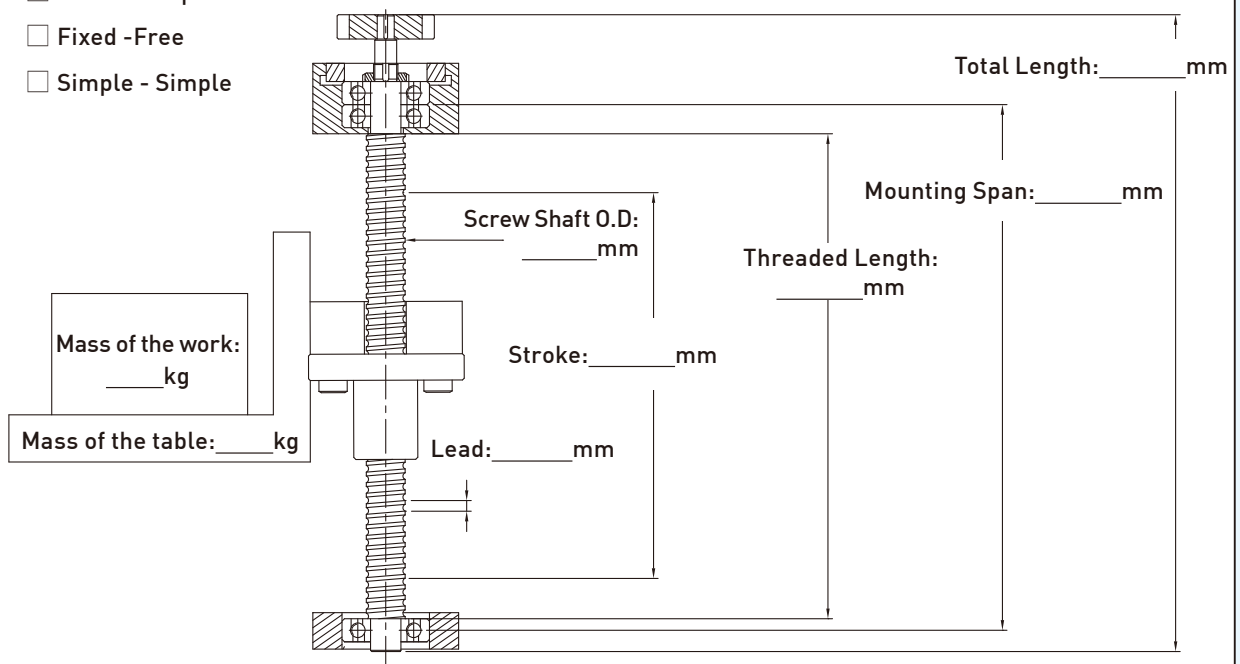
Flange at the bottom



Flange at the top



Flange at the bottom

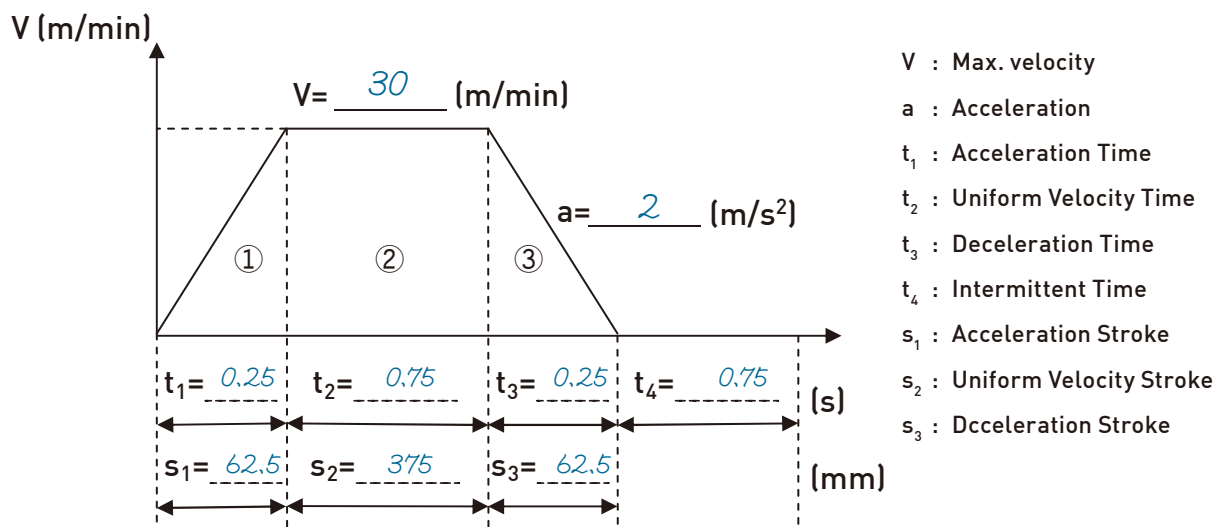


## F. HIWIN Ballscrew Inquiry Sample (1/2)

Company \_\_\_\_\_ Date \_\_\_\_ Day \_\_\_\_ Month \_\_\_\_ Year  
 Address \_\_\_\_\_  
 Telephone \_\_\_\_\_ Fax \_\_\_\_\_  
 Machine Type Three axis machine Application  X axis  Y axis  Z axis  
 Guide way  Rolling  Sliding  Hardened slideway  
 Attached  Yes ( Drawing No. \_\_\_\_\_ )  No

### 1. Operation conditions:

Life Expectancy	<u>20,000</u> hr	Shock/Vibration	<input type="checkbox"/> Smooth
Lubricant	<input checked="" type="checkbox"/> Oil <input type="checkbox"/> Grease <input type="checkbox"/> Other _____		<input checked="" type="checkbox"/> Normal <input type="checkbox"/> Vibration
Environment	<input checked="" type="checkbox"/> General environment <input type="checkbox"/> High dust <input type="checkbox"/> Clean room <input type="checkbox"/> Other _____ <input type="checkbox"/> In vacuum (Value of Pressure _____ Torr/mmHg) <input type="checkbox"/> High Temperature (Temperature _____ °C _____ °F)		



Operation conditions diagram

### 2. Specification factors of the ballscrew:

Operation Conditions	<input checked="" type="checkbox"/> Rotation Shaft <input type="checkbox"/> Rotation nut	Ballscrew Classification	<input type="checkbox"/> Rolled <input checked="" type="checkbox"/> Ground	Preload	<u>146</u> kgf
Turning Direction	<input checked="" type="checkbox"/> Right <input type="checkbox"/> Left	Accuracy Grade	<u>C3</u>	Drag Torque	_____ kgf-cm
Seal	<input checked="" type="checkbox"/> Yes <input type="checkbox"/> No	Support Bearing	Supplemental explanation	<input checked="" type="checkbox"/> Ball _____ <input type="checkbox"/> Roller _____	

## G. HIWIN Ballscrew Inquiry Sample (2/2)

### 3. Horizontal Type:

Mounting Method:  Fixed - Fixed

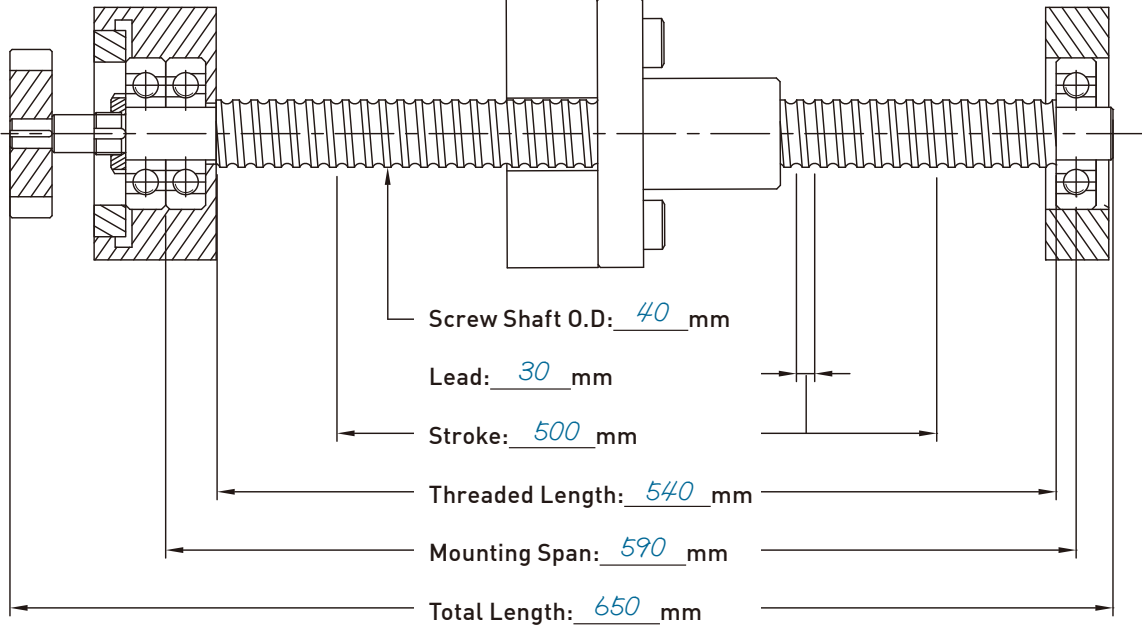
Fixed - Simple

Fixed - Free

Simple - Simple

Mass of the work: 40 kg

Mass of the table: 10 kg



### 4. Vertical Type:

Mounting Method:

Fixed - Fixed

Fixed - Simple

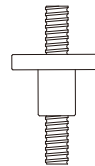
Fixed - Free

Simple - Simple

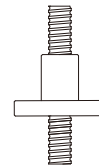
Flange installation direction:

Flange at the top

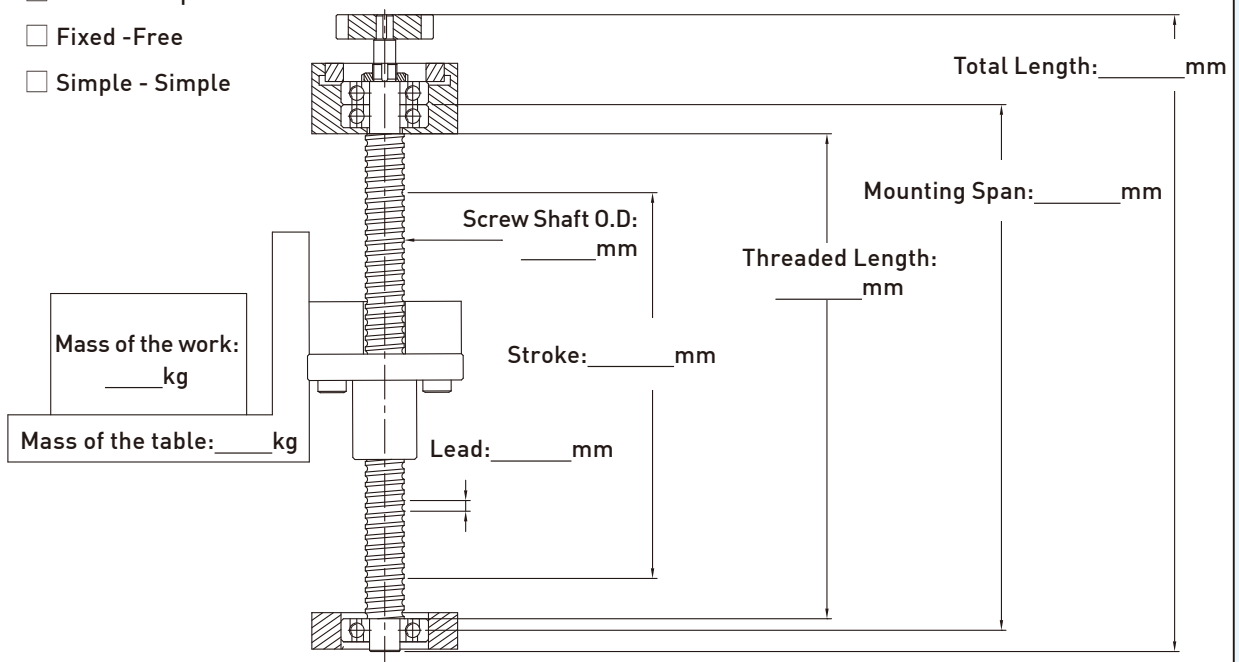
Flange at the bottom



Flange at the top



Flange at the bottom



## H. HIWIN Heavy Load Ballscrew Data Inquiry (1/2)

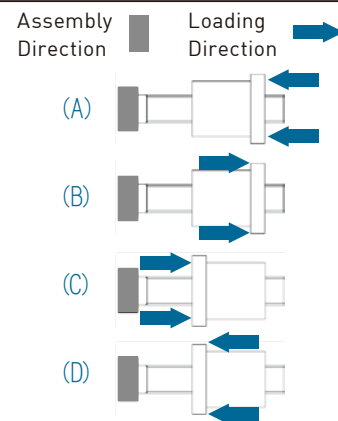
Company \_\_\_\_\_ Date \_\_\_\_ Day \_\_\_\_ Month \_\_\_\_ Year  
 Address \_\_\_\_\_  
 Telephone \_\_\_\_\_ Fax \_\_\_\_\_  
 Machine Type\* \_\_\_\_\_ Axis\* \_\_\_\_\_  
 Attached  Yes  No

※ For Injection or pressing machine, please provide the "ton" of machine.

※ For Injection machine, please provide the ballscrew is being used on injection, clamp or ejector.

### 1. Application Condition:

Movement Type:  Rotating shaft  Rotating nut  
 Mounting Method:  fix-fix  fix -support  fix -free  
 Installation:  Horizontal  Vertical  
 Loading Direction:  (A)  (B)  (C)  (D) (see the drawing)  
 Lubrication:  Grease  Oil  
 ※ Grease name: \_\_\_\_\_ Supplier: \_\_\_\_\_  
 Lubrication hole position:  HIWIN decide  special position  
 Spacer[Q1]:  Yes  No  
 Environment temperature: \_\_\_\_\_ °C



### 2. Ballscrew Specification:

Shaft diameter: \_\_\_\_\_ mm Turning direction:  Right  Left  
 Lead: \_\_\_\_\_ mm Start:  Single  Double  
 Nut type: \_\_\_\_\_ Circulation: \_\_\_\_\_ Axial backlash:  0.02MAX  0.05MAX  Other: \_\_\_\_\_  
 Thread Length: \_\_\_\_\_ mm Shaft Length: \_\_\_\_\_ mm

### 3. Loading Condition: (If there are more than one ballscrew used in the machine, please provide single ballscrew loading condition.)

Max. Dynamic Load: \_\_\_\_\_ kgf Max. Static Load: \_\_\_\_\_ kgf  
 Normal use stroke: \_\_\_\_\_ mm Max. stroke: \_\_\_\_\_ mm  
 Cycle time: \_\_\_\_\_ s Life requirement: \_\_\_\_\_ hours or cycles

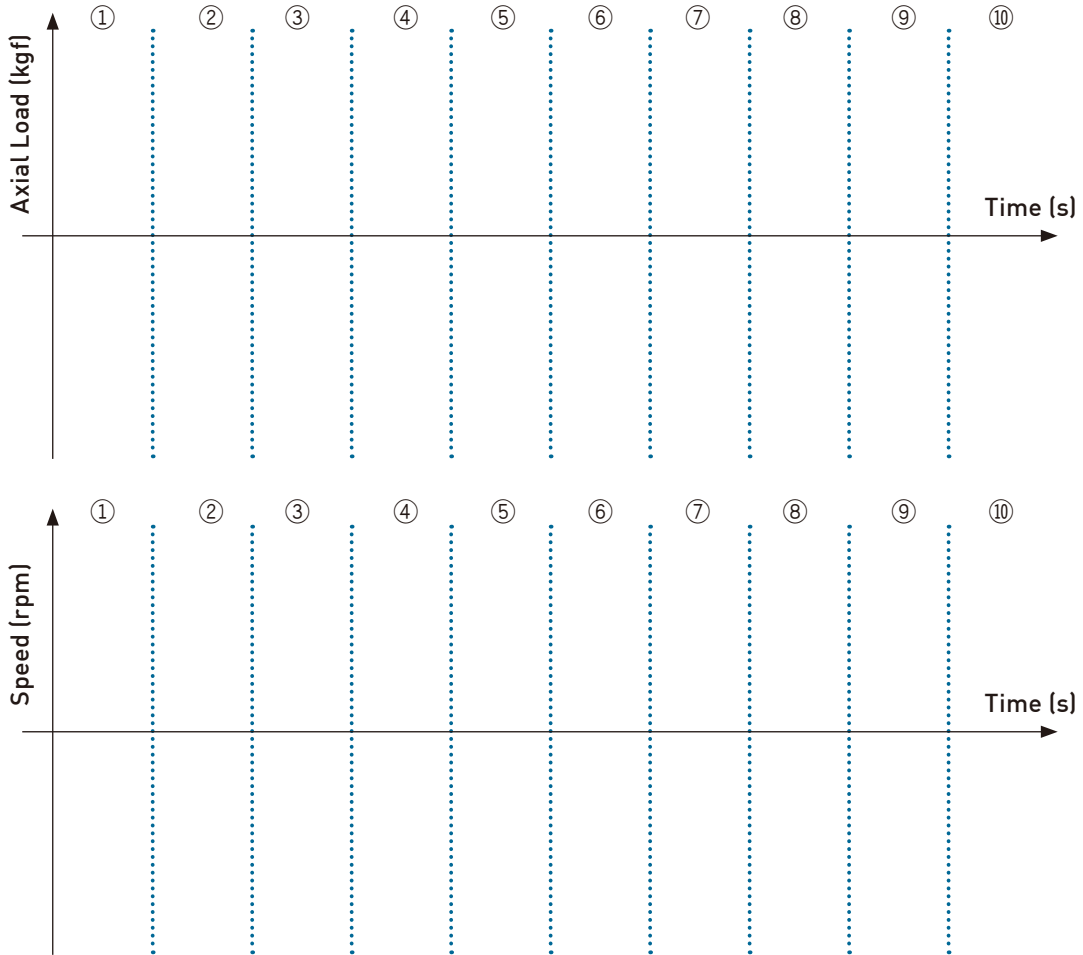
※ In order to make sure the ballscrew is suitable for your machine, please provide load conditions.

### 4. Other Remark:

# I. HIWIN Heavy Load Ballscrew Data Inquiry (2/2)

## 5. Loading curve drawing:

(If there is more than one ballscrew used in the machine, please provide single ballscrew loading conditions.)



	Axial Load (kgf)	Speed (rpm)	Time (s)	Distance (mm)	Remark
①					
②					
③					
④					
⑤					
⑥					
⑦					
⑧					
⑨					
⑩					

### Remark

- ※ Ballscrew' s actual life will be affected by assembly condition, lubrication and use condition.
- ※ Under high temperature the grease may not perform as it should.



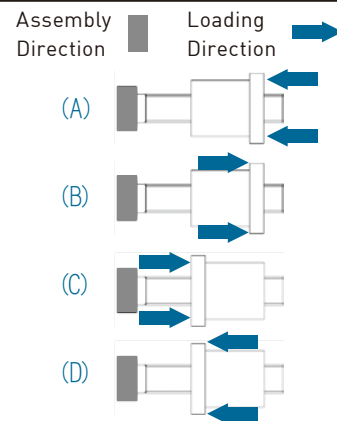
## J. HIWIN Heavy Load Ballscrew Data Inquiry Sample (1/2)

Company \_\_\_\_\_ Date \_\_\_\_ Day \_\_\_\_ Month \_\_\_\_ Year  
 Address \_\_\_\_\_  
 Telephone \_\_\_\_\_ Fax \_\_\_\_\_  
 Machine Type\* All electric injection molding machine [50ton] Axis\* clamping  
 Attached  Yes  No

※ For Injection or pressing machine, please notify the "ton" of machine.  
 ※ For Injection machine, please notify the ballscrew is being used on injection, clamp or ejector.

### 1. Application Condition:

Movement Type:  Rotating shaft  Rotating nut  
 Mounting Method:  fix-fix  fix -support  fix -free  
 Installation:  Horizontal  Vertical  
 Loading Direction:  (A)  (B)  (C)  (D) (see the drawing)  
 Lubrication:  Grease  Oil  
 ※ Grease name: HIWIN GO1 Supplier: \_\_\_\_\_  
 Lubrication hole position:  HIWIN decide  special position  
 Spacer[Q1]:  Yes  No  
 Environment temperature: 50 °C



### 2. Ballscrew Specification:

Shaft diameter: 63 mm Turning direction:  Right  Left  
 Lead: 20 mm Start:  Single  Double  
 Nut type: FSS Circulation: 3.8x2 Axial backlash:  0.02MAX  0.05MAX  Other: \_\_\_\_\_  
 Thread Length: 1,000 mm Shaft Length: 1,500 mm

### 3. Loading Condition: (If there are more than one ballscrew used in the machine, please provide single ballscrew loading condition.)

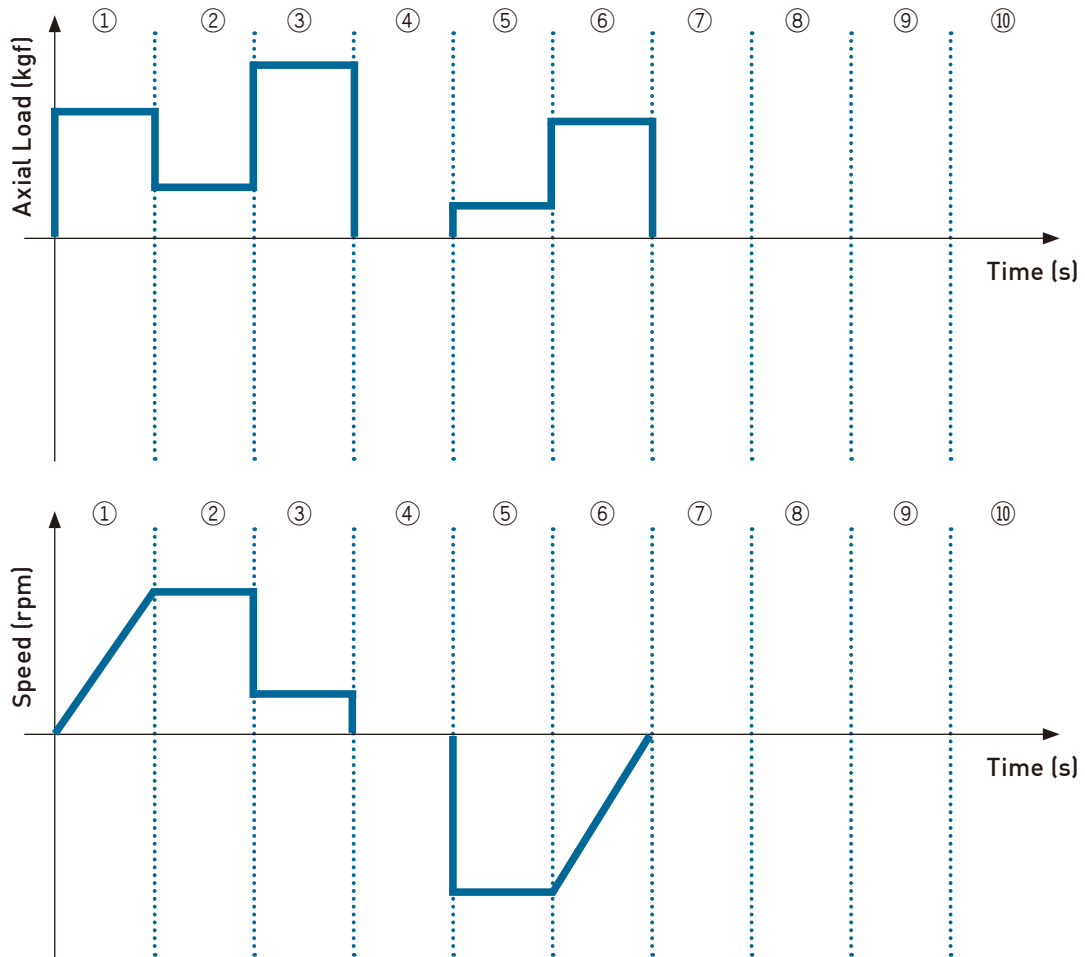
Max. Dynamic Load: 8,000 kgf Max. Static Load: 2,500 kgf  
 Normal use stroke: 300 mm Max. stroke: 500 mm  
 Cycle time: 13 s Life requirement: 6,000,000 hours or cycles  
 ※ In order to make sure the ballscrew is suitable for your machine, please provide loading condition.

### 4. Other Remark:

## K. HIWIN Heavy Load Ballscrew Data Inquiry Sample (2/2)

### 5. Loading curve drawing:

(If there is more than one ballscrew used in the machine, please provide single ballscrew loading condition.)



	Axial Load (kgf)	Speed (rpm)	Time (s)	Distance (mm)	Remark
①	2500	600	1	60	
②	400	1200	2	100	
③	8000	300	3	70	Instant peak load
④	0	0	4	0	
⑤	400	1200	2	100	
⑥	2500	600	1	60	
⑦					
⑧					
⑨					
⑩					

### Remark

- ※ Ballscrew' s actual life will be affected by assembly condition, lubrication and use condition.
- ※ Under high temperature the grease may not perform as it should.

## Ballscrew Technical Information

Publication Date : June 1998, first edition

Print Date : September 2020, 22th edition

- 
1. HIWIN is a registered trademark of HIWIN Technologies Corp. For your protection, avoid buying counterfeit products from unknown sources.
  2. Actual products may differ from specifications and photos provided in this catalog. These differences may be the result of various factors including product improvements.
  3. HIWIN website for patented product directory: [http://www.hiwin.tw/Products/Products\\_patents.aspx](http://www.hiwin.tw/Products/Products_patents.aspx)
  4. HIWIN will not sell or export products or processes restricted under the “Foreign Trade Act” or related regulations. Export of restricted products should be approved by proper authorities in accordance with relevant laws and shall not be used to manufacture or develop nuclear, biochemical, missiles or other weapons.



## Global Sales And Customer Service Site

### HIWIN GmbH

OFFENBURG, GERMANY  
www.hiwin.de  
www.hiwin.eu  
info@hiwin.de

### HIWIN JAPAN

KOBE · TOKYO · NAGOYA · NAGANO ·  
TOHOKU · SHIZUOKA · HOKURIKU ·  
HIROSHIMA · FUKUOKA · KUMAMOTO,  
JAPAN  
www.hiwin.co.jp  
info@hiwin.co.jp

### HIWIN USA

CHICAGO, U.S.A.  
www.hiwin.com  
info@hiwin.com

### HIWIN Srl

BRUGHERIO, ITALY  
www.hiwin.it  
info@hiwin.it

### HIWIN Schweiz GmbH

JONA, SWITZERLAND  
www.hiwin.ch  
info@hiwin.ch

### HIWIN s.r.o.

BRNO, CZECH REPUBLIC  
www.hiwin.cz  
info@hiwin.cz

### HIWIN FRANCE

STRASBOURG, FRANCE  
www.hiwin.fr  
info@hiwin.de

### HIWIN SINGAPORE

SINGAPORE  
www.hiwin.sg  
info@hiwin.sg

### HIWIN KOREA

SUWON · CHANGWON, KOREA  
www.hiwin.kr  
info@hiwin.kr

### HIWIN CHINA

SUZHOU, CHINA  
www.hiwin.cn  
info@hiwin.cn

### Mega-Fabs Motion Systems, Ltd.

HAIFA, ISRAEL  
www.mega-fabs.com  
info@mega-fabs.com

### HIWIN TECHNOLOGIES CORP.

No. 7, Jingke Road,  
Taichung Precision Machinery Park,  
Taichung 40852, Taiwan  
Tel: +886-4-23594510  
Fax: +886-4-23594420  
www.hiwin.tw  
business@hiwin.tw