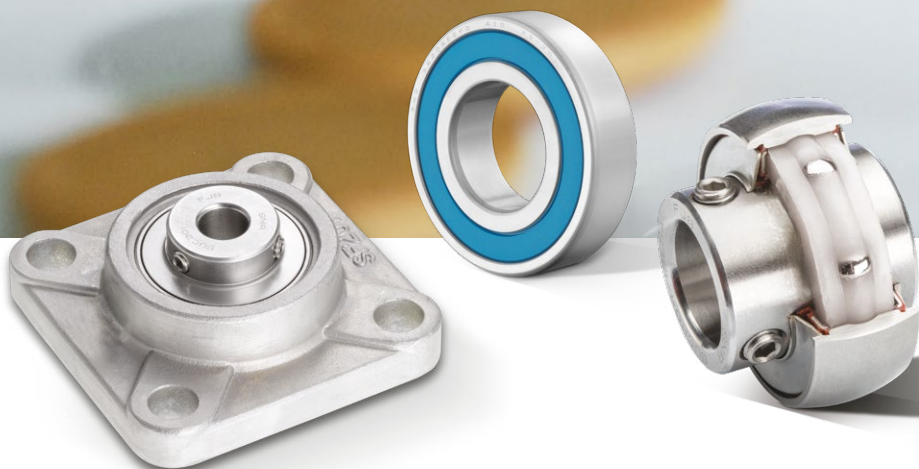




FOOD-PROCESSING INDUSTRY

The taste of expertise



In line with developments in the Codex Alimentarius and GFSI* requirements, version 9 of the BRCGS** global standard, puts the emphasis on food safety culture, by integrating new requirements, notably relating to equipment (7 requirements instead of 2). For the latter, particular emphasis is placed on hygienic design as recommended by the EHEDG*** food safety and quality standard.
(Source: Food Process, February 9, 2023)

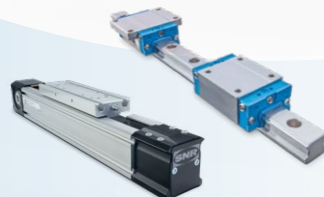
Fully convinced by this strong trend in the food industry, NTN Europe continues to strengthen its bearing ranges for this demanding market.



In this new catalogue update, you will discover:



Our new SNR series of stainless steel ball bearings with food-grade grease or solid lubrication.



Our extensive range of linear axis, linear guides and ball bushings from the Linear product range.



Our SENTINEL range of bearings with solid lubrication, which has enjoyed major success in the North American food industry since 2016 and in Europe since 2021.

CONTENTS

Introducing the SENTINEL range and solid lubrication	4
Ball bearings	6
Stainless steel bearing inserts for bearing units	28
Self-aligning bearing units	40
Linear product range	70
Lubrication solutions	84

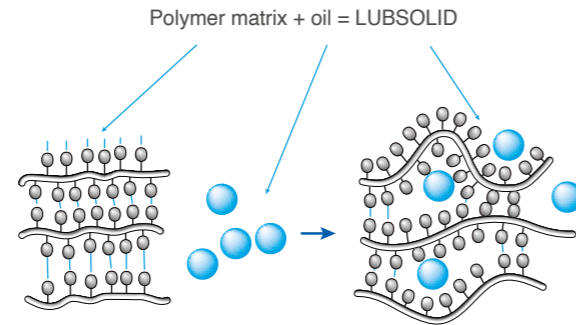
* Global Food Safety Initiative
** Brand Reputation through Compliance of Global Standards
*** European Hygienic Engineering & Design Group

SENTINEL, the range of bearings for the food industry with solid lubrication



What is LUBSOLID solid lubrication?

- It is a porous polymer matrix containing a large quantity of oil (4 times more compared to standard grease).
- Due to its solid nature, this lubricant cannot leak out of the bearing.
- The main benefits of this solution:
 - ▶ Keeping your environment clean
 - ▶ No need to re-lubricate
 - ▶ Improves bearing life through constant and preserved lubrication



2 concepts:

- LUBSOLID "Full Pack": The matrix fills the entire bearing free space, providing optimal protection and preventing the ingress of contaminants and water.
Examples: insert bearings or SNR deep groove ball bearings
Suffix used: FG1
- SOLID GREASE "Spot Pack": The matrix is placed in the pockets between each ball, ensuring constant lubrication while maintaining high speed capability
- Example: NTN stainless steel ball bearings
Suffix used: LP09



What is SENTINEL?

A range of premium quality bearings with solid lubrication for greater safety and productivity in an environmentally responsible way.



What are the advantages and benefits?

Safety:

- Enhanced safety for food production due to the elimination of grease leakage and the additional barrier of solid lubrication against contaminant ingress
- Enhanced safety for production operatives as the slipping hazard of grease leakage is removed
- Greater convenience and safety for maintenance personnel as there is no need to routinely access hard-to-reach relubrication points
- Sanitary, LUBSOLID is NSF-H1 approved
- Improves resistance of production equipment to high pressure washing

Productivity:

- Longer bearing life
- Maintenance teams save time by eliminating re-greasing schedules and reducing bearing replacements
- Less production downtime

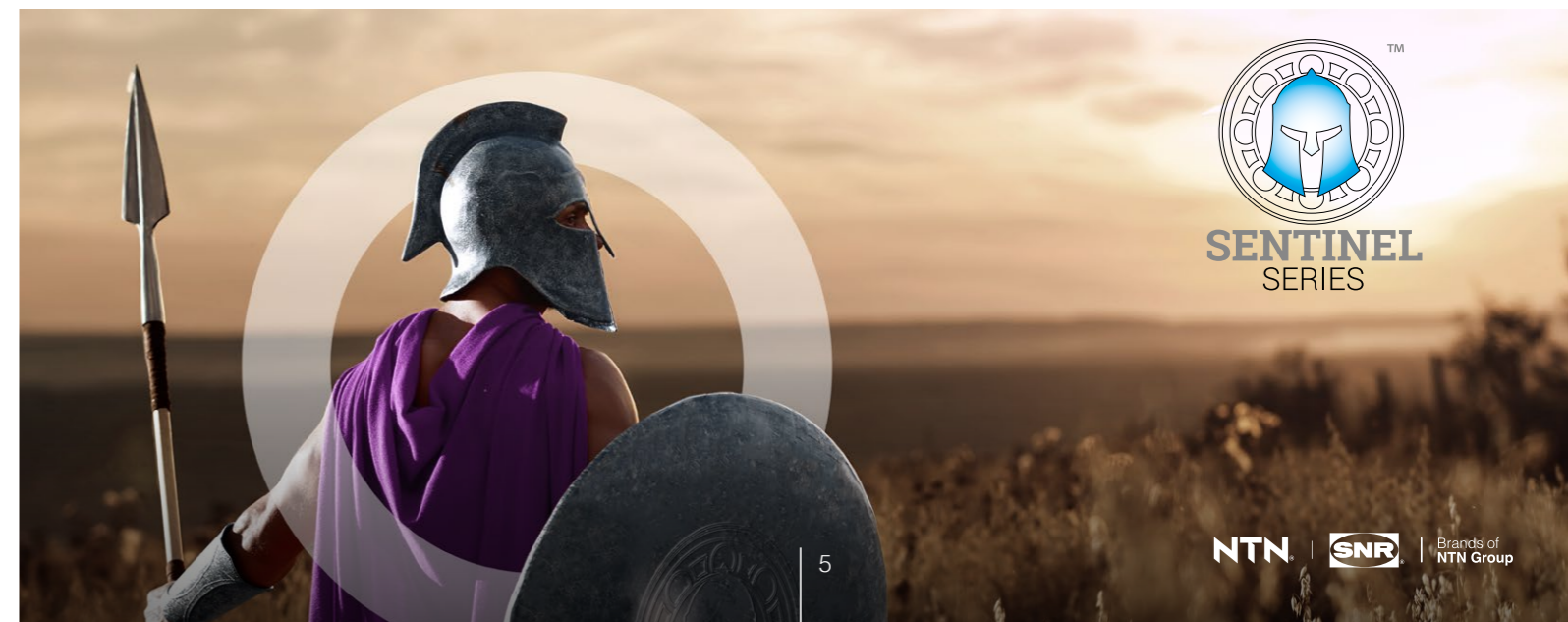
Eco-responsibility:

- A responsible approach to the environment and compliant with corporate CSR* initiatives, thanks to a sustainable bearing design leading to significant reductions in grease and bearing consumption.

You can find all our SENTINEL bearings in this catalogue in Chapters:

NTN stainless steel ball bearings	page 8
SNR stainless steel ball bearings	page 10
SNR stainless steel bearing inserts	page 30
SNR thermoplastic bearing units	page 42
SNR stainless steel bearing units	page 50

* Corporate Social Responsibility



BALL BEARINGS

In stainless steel

An essential reference in the bearing offering for food processing applications, NTN and SNR stainless steel ball bearings meet the highest expectations in this market.

SENTINEL range food industry

NTN SSNxxxLL/LP09 SOLID GREASE "SPOT PACK" page 8

SNR S6xxxEEFG1 LUBSOLID "FULL PACK" page 10

Standard range food processing

SNR S6xxxEEFD food grade grease page 12

In steel

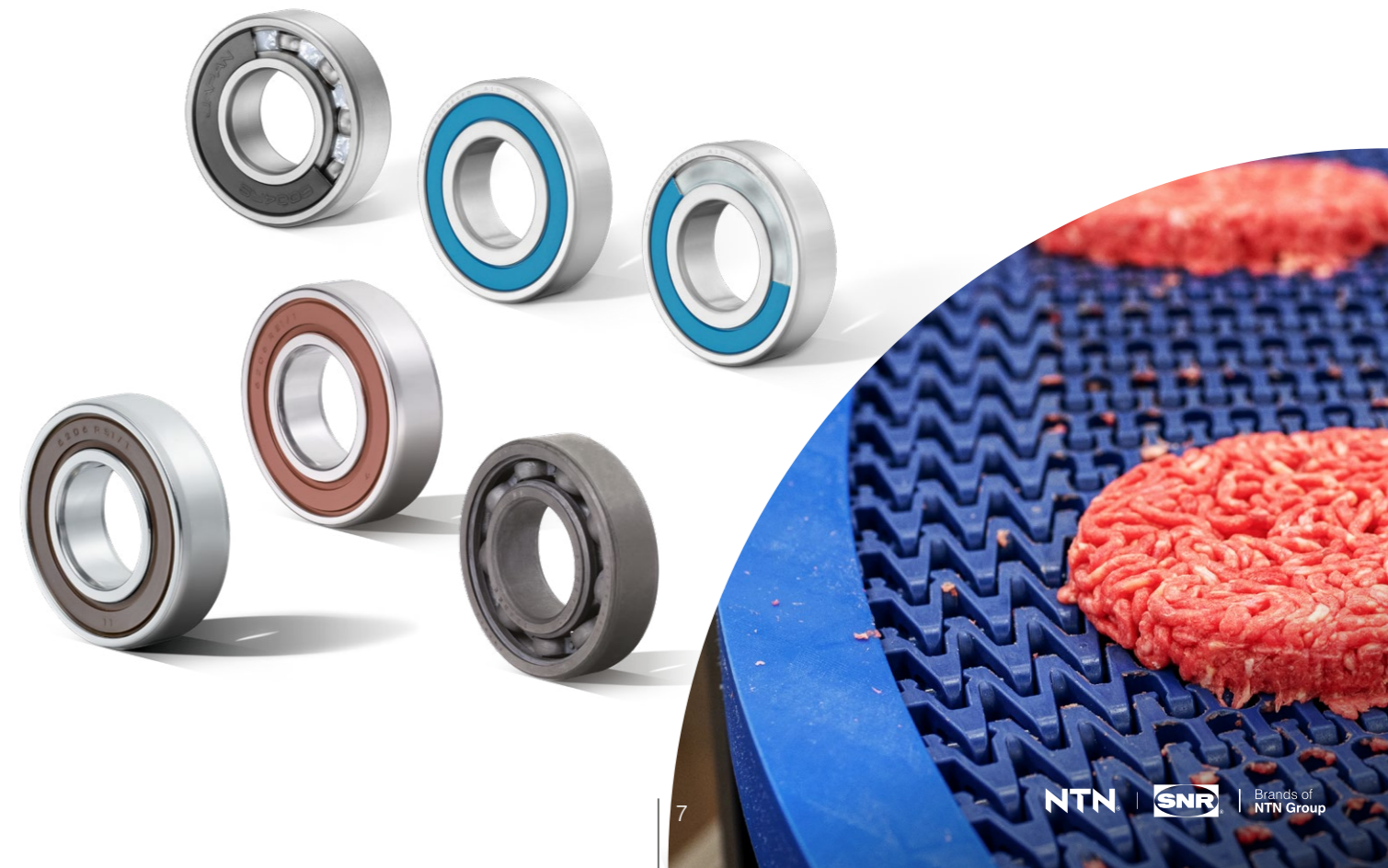
Complementing the stainless steel range, the TOPLINE range of steel ball bearings covers extreme temperature applications.

TOPLINE range

SNR 6xxx LT/FT/HT/F60x non-food grease page 14

Ball bearings selection guide

Page 26



Stainless steel ball bearings NTN SSNxxx LP09 Solid Grease



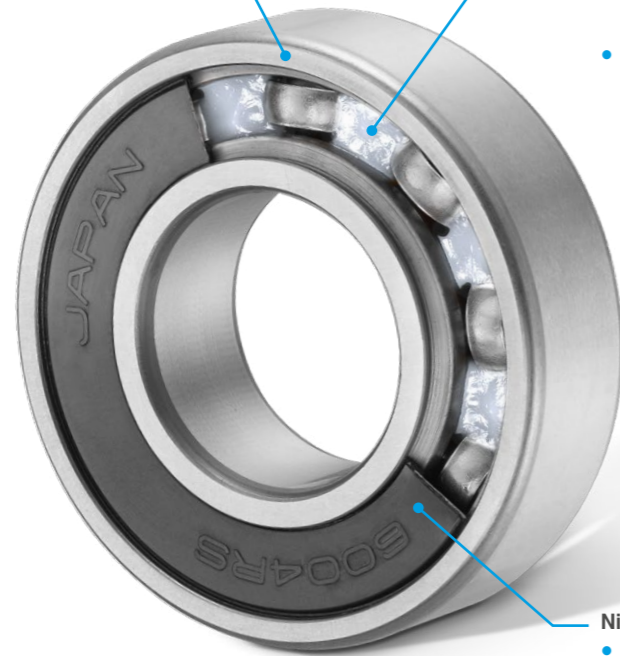
SENTINEL range for food industry

NTN stainless steel deep groove ball bearings with solid lubrication are the perfect combination of safety and cleanliness, with extended operating life on production equipment.

Description

100% stainless steel bearings

- Rings
- Rolling elements
- Cage



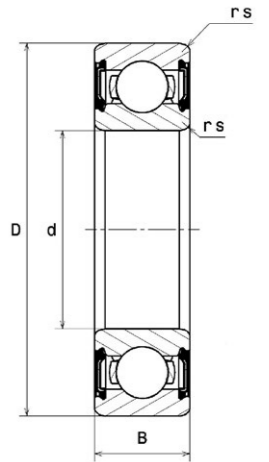
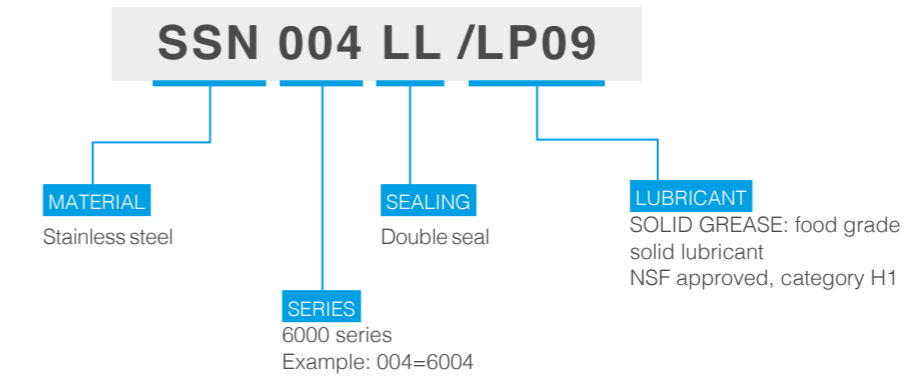
NTN SOLID GREASE

- "Spot Pack» application (pocket between each rolling element)
- NSF category H1-approved solid lubricant
Registration number 158287 (NSF white book)
- Operating temperature:
- 10°C to +80°C continuous
- +100°C peak

Nitrile seal

- Reinforced galvanised metal frame
- Low torque for longer life

Designation



Product references

Reference	Dimensions (mm)				Basic load rating (kN)		* Limiting speed	Weight (kg)	Basic reference
	d	D	B	rs	Dynamic C _r	Static C _{0r}			
SSN000LL/LP09	10	26	8	0,3	3,5	1,96	10000	0,019	S6000
SSN001LL/LP09	12	28	8	0,3	3,95	2,39	8300	0,021	S6001
SSN002LL/LP09	15	32	9	0,3	4,3	2,86	6600	0,030	S6002
SSN003LL/LP09	17	35	10	0,3	4,6	3,25	5800	0,066	S6003
SSN004LL/LP09	20	42	12	0,6	7,2	5,05	5000	0,069	S6004
SSN005LL/LP09	25	47	12	0,6	7,75	5,85	4000	0,080	S6005
SSN006LL/LP09	30	55	13	1	10,2	8,25	3300	0,116	S6006
SSN007LL/LP09	35	62	14	1	12,3	10,3	2800	0,155	S6007
SSN008LL/LP09	40	68	15	1	12,9	11,5	2500	0,190	S6008
SSN200LL/LP09	10	30	9	0,6	3,95	2,39	10000	0,032	S6200
SSN201LL/LP09	12	32	10	0,6	5,25	3,05	8300	0,037	S6201
SSN202LL/LP09	15	35	11	0,6	5,85	3,75	6600	0,045	S6202
SSN203LL/LP09	17	40	12	0,6	7,35	4,8	5800	0,115	S6203
SSN204LL/LP09	20	47	14	1	9,9	6,65	5000	0,106	S6204
SSN205LL/LP09	25	52	15	1	10,8	7,85	4000	0,128	S6205
SSN206LL/LP09	30	62	16	1	15	11,3	3300	0,199	S6206
SSN207LL/LP09	35	72	17	1,1	19,8	15,4	2800	0,288	S6207
SSN208LL/LP09	40	80	18	1,1	22,4	17,8	2500	0,366	S6208

* Limiting speed values are valid for a bearing used in a room at an ambient temperature of around 20°C. For use in an environment at t° > 20°C, the limiting speed will be reduced; please contact your NTN technical contact.

Benefits

- Every component offers enhanced corrosion resistance
- Solid lubrication reduces risk of lubricant leakage, even when the bearing is subjected to high vibration and centrifugal forces.
- Compared to standard food grease lubrication, solid lubrication does not emulsify and is therefore not ejected from the bearing by water ingress.
- "SOLID GREASE" with pocket application between the rolling elements offers a relatively high rotation speed while maintaining the advantages of solid lubrication.



Stainless steel ball bearings SNR S6xxx FG1 LUBSOLID



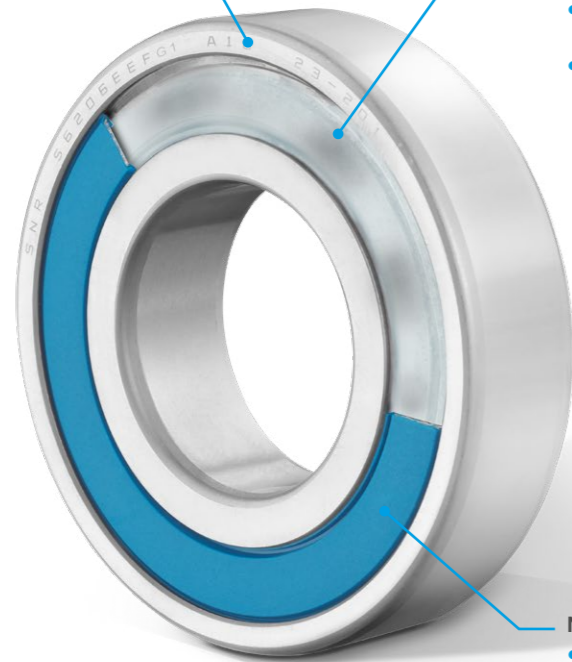
SENTINEL range food industry

The SNR stainless steel rigid ball bearing with solid lubrication filling 100% of the free volume is highly resistant to water and pollution penetration for maximum longevity.

Technical specifications

100% stainless steel bearings

- Rings
- Rolling elements
- Cage



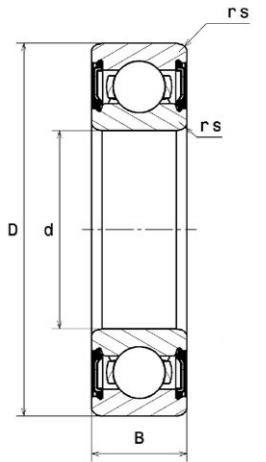
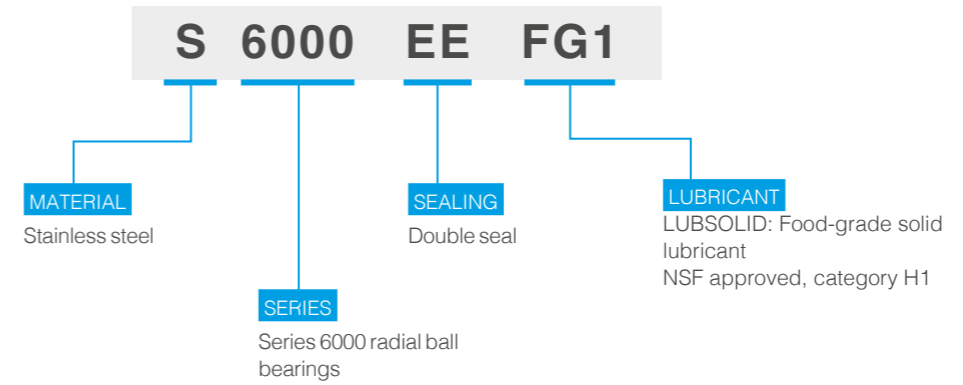
Solid lubrication SNR LUBSOLID

- "Full Pack" application (100% of free volume)
- NSF category H1-approved solid lubricant
- Registration number 154154 (NSF white book)
- Operating temperature:
 - -10°C to +80°C continuous
 - +100°C peak

Nitrile seal

- Stainless steel frame
- Blue colour for better visibility

Designation



Product references

Reference	Dimensions (mm)				Basic load rating (kN)		* Limiting speed	Weight (kg)
	d	D	B	rs	Dynamic C _r	Static C _{0r}		
S6000EEFG1	10	26	8	0,3	3,52	1,97	1900	0,020
S6001EEFG1	12	28	8	0,3	3,93	2,39	1700	0,022
S6002EEFG1	15	32	9	0,3	4,3	2,85	1500	0,032
S6003EEFG1	17	35	10	0,3	4,6	3,25	1300	0,042
S6004EEFG1	20	42	12	0,6	7,2	5	1100	0,070
S6005EEFG1	25	47	12	0,6	7,7	5,9	1000	0,083
S6006EEFG1	30	55	13	1	10,2	8,3	800	0,120
S6007EEFG1	35	62	14	1	12,3	10,3	700	0,158
S6008EEFG1	40	68	15	1	12,9	11,5	650	0,198
S6200EEFG1	10	30	9	0,6	3,93	2,39	1700	0,033
S6201EEFG1	12	32	10	0,6	5,2	3,05	1600	0,038
S6202EEFG1	15	35	11	0,6	5,9	3,7	1400	0,047
S6203EEFG1	17	40	12	0,6	7,4	4,8	1200	0,069
S6204EEFG1	20	47	14	1	9,9	6,7	1000	0,109
S6205EEFG1	25	52	15	1	10,8	7,9	900	0,136
S6206EEFG1	30	62	16	1	15	11,3	750	0,208
S6207EEFG1	35	72	17	1,1	19,7	15,3	650	0,299
S6208EEFG1	40	80	18	1,1	22,7	18,1	580	0,383
S6300EEFG1	10	35	11	0,6	5,9	3,45	1500	0,056
S6301EEFG1	12	37	12	1	7,5	4,2	1400	0,062
S6302EEFG1	15	42	13	1	8,8	5,4	1200	0,087
S6303EEFG1	17	47	14	1	10,4	6,6	1100	0,118
S6304EEFG1	20	52	15	1,1	12,3	7,9	950	0,150
S6305EEFG1	25	62	17	1,1	17,2	11,5	800	0,237

* Limiting speed values are valid for a bearing used in a room at an ambient temperature of around 20°C. For use in an environment at t° > 20°C, the limiting speed will be reduced; please contact your NTN technical contact.

Benefits

- The LUBSOLID "Full Pack" range, in addition to its seals, provides optimal protection for the bearing in the face of intensive high-pressure washing.
- Solid lubrication eliminates lubricant leakages. Its polymer matrix works like a sponge retaining the oil and releases only the quantity required for perfect lubrication of the bearing raceways and rolling elements.
- LUBSOLID contains up to 4 times more oil than standard grease, which also contributes to longer bearing life.
- Maintenance interventions to change bearings are less frequent, saving time and production downtime. The budget allocated to bearing replacement is therefore significantly reduced.



Stainless steel ball bearings SNR S6xxx FD

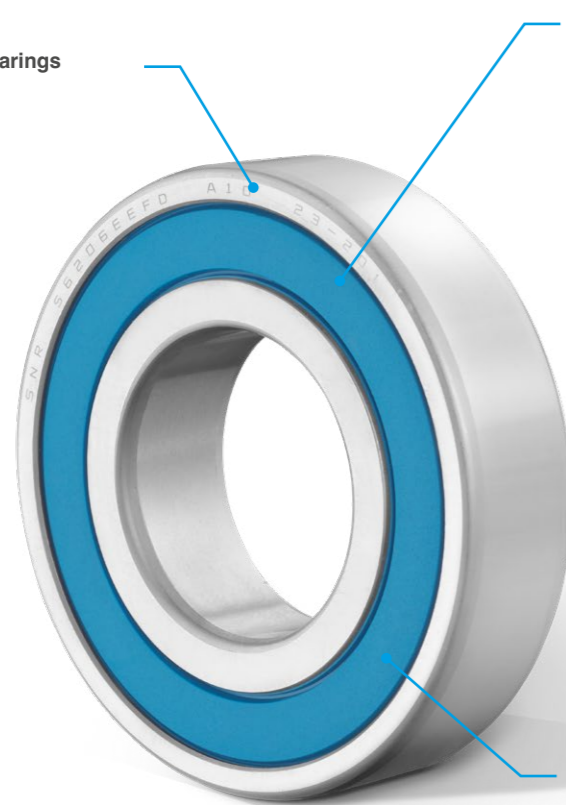
Standard food range

The SNR stainless steel deep groove ball bearing with FD food-grade grease lubrication is an essential bearing offering for the most demanding food applications in this market.

Technical specifications

100% stainless steel bearings

- Rings
- Rolling elements
- Cage



Food-grade grease lubrication

- NSF category H1 approved
- Operating temperature: -30°C to +120°C
- Halal / kosher approved

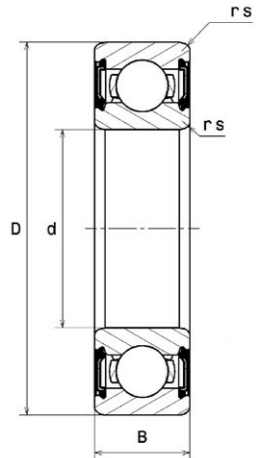
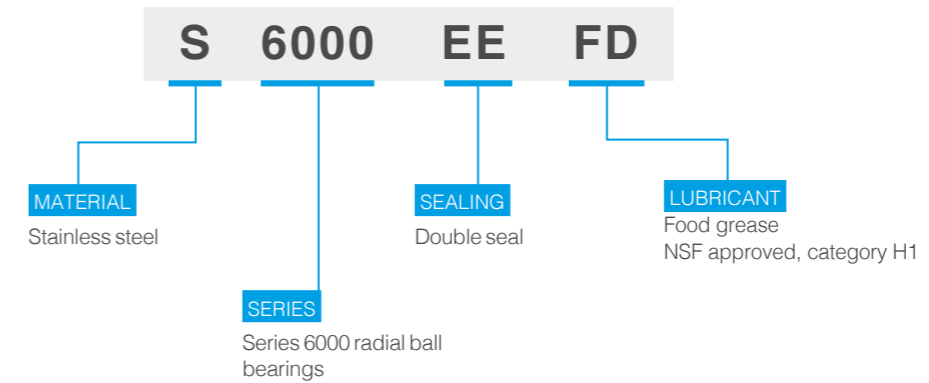
Nitrile seal

- Stainless steel frame
- Blue colour for better visibility

Benefits

- High-performance sealing to prevent penetration of contaminants, guaranteeing long service life
- All components, with the exception of the nitrile seal, are made of stainless steel for enhanced corrosion resistance and easy recyclability.
- Wide temperature range for applications such as deep-freezing (-30°C) up to much higher temperatures (120°C)
- If the seal is dislodged, its blue colour enables it to be detected more quickly.

Designation



Product references

Reference	Dimensions (mm)				Basic load rating (kN)		Limiting speed (rpm)	Weight (kg)
	d	D	B	rs	Dynamic C _r	Static C _{0r}		
S6000EEFD	10	26	8	0,3	3,52	1,97	19000	0,019
S6001EEFD	12	28	8	0,3	3,93	2,39	17000	0,020
S6002EEFD	15	32	9	0,3	4,3	2,85	14000	0,030
S6003EEFD	17	35	10	0,3	4,6	3,25	13000	0,040
S6004EEFD	20	42	12	0,6	7,2	5	11000	0,067
S6005EEFD	25	47	12	0,6	7,7	5,9	9100	0,080
S6006EEFD	30	55	13	1	10,2	8,3	7500	0,115
S6007EEFD	35	62	14	1	12,3	10,3	6700	0,152
S6008EEFD	40	68	15	1	12,9	11,5	5900	0,190
S6200EEFD	10	30	9	0,6	3,93	2,39	17000	0,032
S6201EEFD	12	32	10	0,6	5,2	3,05	16000	0,036
S6202EEFD	15	35	11	0,6	5,9	3,7	13000	0,045
S6203EEFD	17	40	12	0,6	7,4	4,8	12000	0,065
S6204EEFD	20	47	14	1	9,9	6,7	9900	0,103
S6205EEFD	25	52	15	1	10,8	7,9	8600	0,135
S6206EEFD	30	62	16	1	15	11,3	7200	0,197
S6207EEFD	35	72	17	1,1	19,7	15,3	6200	0,289
S6208EEFD	40	80	18	1,1	22,7	18,1	5500	0,362
S6300EEFD	10	35	11	0,6	5,9	3,45	15000	0,054
S6301EEFD	12	37	12	1	7,5	4,2	15000	0,060
S6302EEFD	15	42	13	1	8,8	5,4	12000	0,080
S6303EEFD	17	47	14	1	10,4	6,6	11000	0,120
S6304EEFD	20	52	15	1,1	12,3	7,9	9700	0,150
S6305EEFD	25	62	17	1,1	17,2	11,5	8000	0,232

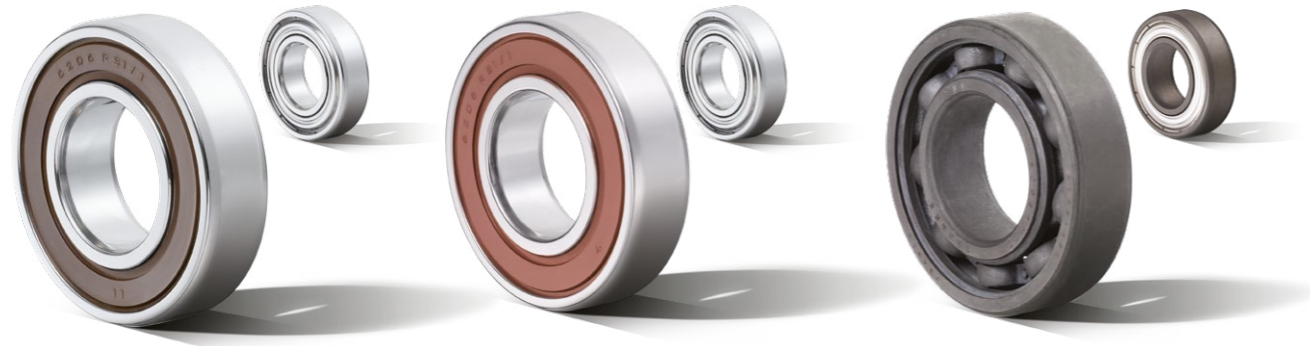
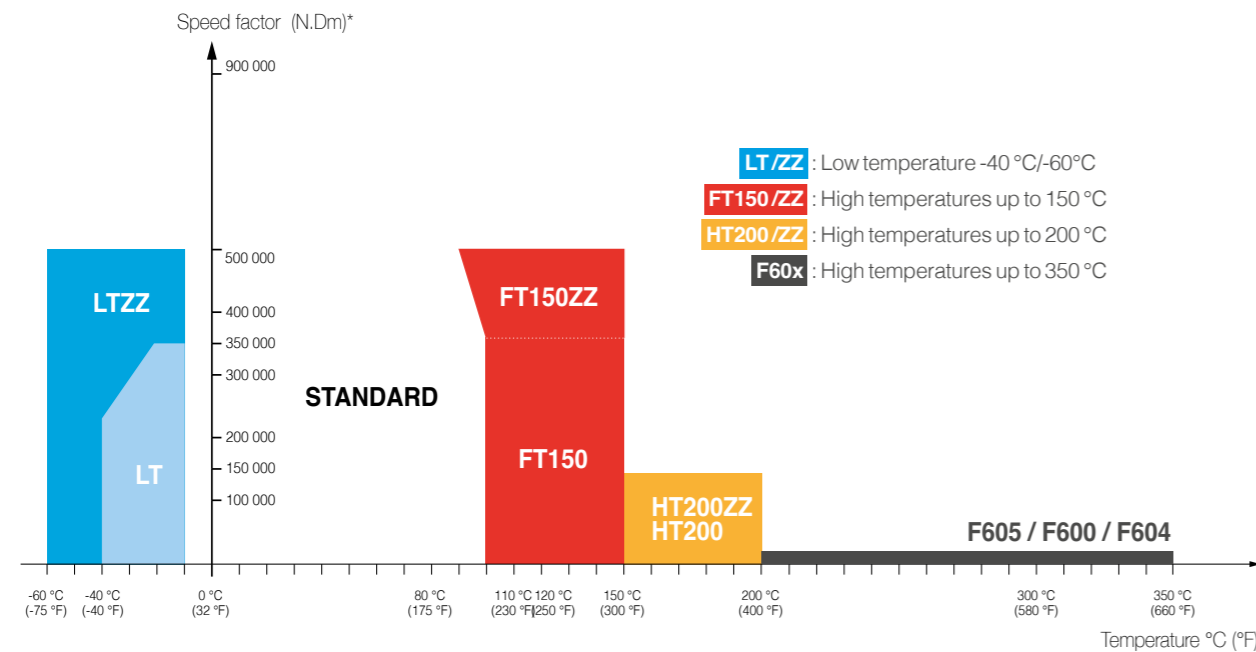


SNR TOPLINE steel ball bearings

A range to withstand extreme temperatures

The SNR TOPLINE range of steel deep groove ball bearings is the ideal solution for all temperatures encountered in food processing applications that are not in direct contact with the product being manufactured.

Temperature range °C



LT range

Good performance at low-temperatures thanks to its specific grease. It also has good resistance to humidity and is ideal for refrigerated environments in the food industry.



FT150 & HT200 ranges

Optimal solutions for high-temperature applications (up to 150°C and 200°C respectively).

The FT150 and HT200 ranges are ideal for conveyors used in kilns, dryers, grills, ovens, etc.

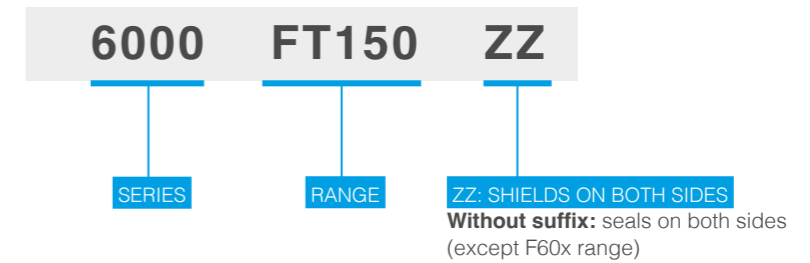


F60x range

Dedicated to very high temperature (350°C) and low speed (up to 50 rpm) applications. This range is therefore fully adapted to the highest baking oven temperatures.



Designation



Technical data

Range	Sealing	Cage	Internal clearance	Grease	Other	Temperature & speed limits
LT	Nitrile seals (NBR)	Steel	C3	Suitable for low temperatures and humidity. Lithium thickener + synthetic base oil.	-	Low temperature down to -60°C for LTZZ and -40°C for LT. Speed limit: 500,000 N.Dm.
LTZZ	Steel shields					
FT150	Fluoroelastomer seals (FKM)	Steel	C3	Suitable for high temperatures. Polyurea thickener + synthetic base oil	-	Maximum temperature: 150°C (peak). Speed limit: 500,000 N.Dm.
FT150ZZ	Steel shields					
HT200	Fluoroelastomer seals (FKM)	Steel	C4	Suitable for high temperatures. PTFE solid lubricant + PFPE oil.	Specific heat treatment.	Maximum temperature: 200°C (peak). Speed limit: 150,000 N.Dm.
HT200ZZ	Steel shields					
F605	-	Steel	>C5	-	Engraved reference.	Temperature range 200°C to 350°C (continuous or cyclic). Speed limit: 50 rpm. Medium loads.
F600	-	Steel	>C5	-	Specific surface treatment (phosphating + MoS2)*. Engraved reference	Temperature range 200°C to 350°C (continuous or cyclic). Speed limit: 50 rpm. Medium loads.
F604	Steel shields	Steel	>C5	Suitable for very high temperatures. Base oil polyalkylene glycol + solid additive.	Specific surface treatment (phosphating + MoS2)*. Engraved reference.	Temperature range 200°C to 350°C (continuous or cyclic). Speed limit: 50 rpm. Medium loads.

* The specific surface treatment on the F600 and F604 ranges offers improved resistance to oxidation and good lubrication capacity. With the F600 range, additional grease can be introduced into the bearing if necessary. Contact NTN-SNR for more information.

LT range

Low-temperature series (-40 / -60°C)



Bearing	Dimensions (mm)			Weight (kg)
	Inner diameter (d)	Outer diameter (D)	Width (B)	Weight

LT - Sealed version

6002LT	15	35	11	0,0300
6003LT	17	40	12	0,0400
6004LT	20	47	14	0,0680
6005LT	25	52	15	0,0770
6006LT	30	62	16	0,1160
6200LT	10	30	9	0,0300
6203LT	17	40	12	0,0677
6204LT	20	47	14	0,1070
6205LT	25	52	15	0,1280
6206LT	30	62	16	0,1990

LTZZ - Shielded version

6003LTZZ	17	35	10	0,0400
6004LTZZ	20	42	12	0,0680
6005LTZZ	25	47	12	0,0770
6006LTZZ	30	55	13	0,1160
6007LTZZ	35	62	14	0,1530
6200LTZZ	10	30	9	0,0300
6204LTZZ	20	47	14	0,1070
6205LTZZ	25	52	15	0,1280
6206LTZZ	30	62	16	0,1990
6302LTZZ	15	42	13	0,0830
6304LTZZ	20	52	15	0,1350
6313LTZZ	65	140	33	2,1100

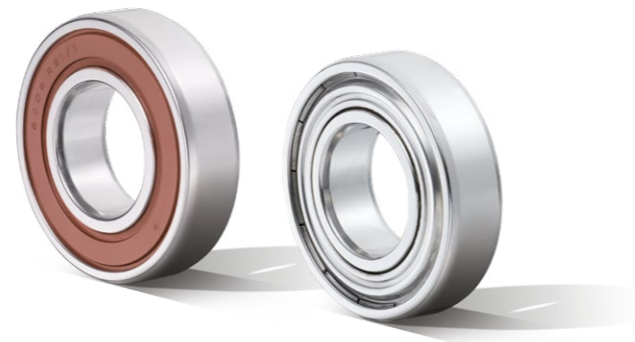
Basic load rating (kN)		Corner and abutment dimensions (mm)				Speed (rpm)
Dynamic load rating Cr	Static load rating C0r	Max. shaft & housing abutment radius ra max	Max. shoulder diameter (outer ring) Da max	Min. shoulder diameter (inner ring) da min	Max. shoulder diameter (inner ring) da max	Limiting speed (rpm)

5,90	2,85	0,30	30,00	17,00	20,50	14000
6,30	3,25	0,30	33,00	19,00	22,80	13000
9,90	5,00	0,60	38,00	24,00	27,50	10000
10,60	5,80	0,60	43,00	29,00	24,10	9100
13,90	8,30	1,00	50,00	35,00	38,20	7500
6,30	2,60	0,60	26,00	14,00	16,00	18000
10,10	4,75	0,60	31,00	19,00	21,10	12000
13,50	6,60	1,00	42,00	25,00	25,90	11000
13,80	7,90	1,00	47,00	30,00	31,80	8700
20,50	11,30	1,00	57,00	35,00	37,90	7300

6,30	3,25	0,30	33,00	19,00	22,80	15000
9,90	5,00	0,60	38,00	24,00	27,50	13000
10,60	5,80	0,60	43,00	29,00	31,60	11000
13,90	8,30	1,00	50,00	35,00	38,20	9300
16,80	10,30	1,00	57,00	40,00	43,50	8100
6,30	2,60	0,60	26,00	14,00	16,00	20000
13,50	6,60	1,00	42,00	25,00	25,90	12000
13,80	7,90	1,00	47,00	30,00	31,80	10000
20,50	11,30	1,00	57,00	35,00	37,90	8600
11,90	5,30	1,00	37,00	20,00	23,20	14000
16,80	7,90	1,00	45,50	26,50	30,00	11000
97,70	59,80	2,00	129,00	76,00	82,20	3800

FT150 range

High-temperature series up to +150°C



Bore code	Bearing	Internal clearance	Dimensions (mm)				Weight (kg)
			Inner diameter (d)	Outer diameter (D)	Width (B)	Minimum corner radius rs	Weight (kg)

FT150 - Sealed version

6000 series							
00	6000FT150	C3	10	26	8	0,30	0,0200
01	6001FT150	C3	12	28	8	0,30	0,0210
02	6002FT150	C3	15	32	9	0,30	0,0300
03	6003FT150	C3	17	35	10	0,30	0,0390
04	6004FT150	C3	20	42	12	0,60	0,0680
05	6005FT150	C3	25	47	12	0,60	0,0770
06	6006FT150	C3	30	55	13	1,00	0,1160
07	6007FT150	C3	35	62	14	1,00	0,1530
08	6008FT150	C3	40	68	15	1,00	0,1920
09	6009FT150	C3	45	75	16	1,00	0,2430
10	6010FT150	C3	50	80	16	1,00	0,2670
13	6013FT150	C3	65	100	18	1,10	0,4300
6200 series							
00	6200FT150	C3	10	30	9	0,60	0,0330
01	6201FT150	C3	12	32	10	0,60	0,0380
02	6202FT150	C3	15	35	11	0,60	0,0450
03	6203FT150	C3	17	40	12	0,60	0,0677
04	6204FT150	C3	20	47	14	1,00	0,1070
06	6206FT150	C3	30	62	16	1,00	0,1990
07	6207FT150	C3	35	72	17	1,10	0,2850
08	6208FT150	C3	40	80	18	1,10	0,3730
09	6209FT150	C3	45	85	19	1,10	0,4040
10	6210FT150	C3	50	90	20	1,10	0,4530
13	6213FT150	C3	65	120	23	1,50	0,9900
6300 series							
03	6303FT150	C3	17	47	14	1,00	0,1100
04	6304FT150	C3	20	52	15	1,10	0,1350
05	6305FT150	C3	25	62	17	1,10	0,2250
06	6306FT150	C3	30	72	19	1,10	0,3460
07	6307FT150	C3	35	80	21	1,50	0,4460
08	6308FT150	C3	40	90	23	1,50	0,6120
09	6309FT150	C3	45	100	25	1,50	0,8250
10	6310FT150	C3	50	110	27	2,00	1,0700

Basic load rating (kN)				Corner and abutment dimensions (mm)				Speed (rpm)
Dynamic load rating Cr	Static load rating C0r	Fatigue limit load Cu	Static load safety factor f0	Max. shaft & housing abutment radius ra max	Max. shoulder diameter (outer ring) Da max	Min. shoulder diameter (inner ring) da min	Max. shoulder diameter (inner ring) da max	Limiting speed (rpm)

4,80	1,97	0,09	12,40	0,30	24,00	12,00	14,70	20000
5,40	2,37	0,11	13,10	0,30	26,00	14,00	17,20	17000
5,90	2,85	0,13	13,90	0,30	30,00	17,00	20,50	14000
6,30	3,25	0,15	14,40	0,30	33,00	19,00	27,50	13000
9,90	5,00	0,23	13,80	0,60	38,00	24,00	27,50	10000
10,60	5,80	0,26	14,50	0,60	43,00	29,00	31,60	9100
13,90	8,30	0,38	14,80	1,00	50,00	35,00	38,20	7500
16,80	10,30	0,47	14,80	1,00	57,00	40,00	43,50	6600
17,70	11,50	0,52	15,30	1,00	63,00	45,00	27,80	5900
22,10	15,10	0,69	15,30	1,00	70,00	50,00	54,20	5300
23,00	16,60	0,75	15,60	1,00	75,00	55,00	59,70	4800
32,20	25,20	1,15	15,80	1,00	93,50	71,50	48,40	3800
6300 series								
6,30	2,60	0,12	12,10	0,60	26,00	14,00	33,60	18000
7,30	3,10	0,14	12,20	0,60	28,00	16,00	51,90	16000
8,10	3,75	0,17	13,10	0,60	31,00	19,00	19,70	14000
10,10	4,75	0,22	13,10	0,60	36,00	21,00	24,10	12000
13,50	6,60	0,30	13,10	1,00	42,00	25,00	25,90	10000
20,50	11,30	0,51	13,80	1,00	57,00	35,00	37,90	7300
27,10	15,30	0,70	13,80	1,00	65,50	41,50	25,90	6300
30,70	17,90	0,81	14,00	1,00	73,50	46,50	34,30	5500
34,50	20,40	0,93	14,10	1,00	78,50	51,50	54,50	5100
37,00	23,20	1,05	14,40	1,00	83,50	56,50	30,00	4700
60,30	40,10	1,82	14,40	1,50	112,00	73,00	77,50	3600
6300 series								
14,40	6,60	0,30	12,40	1,00	42,00	22,00	64,70	10000
16,80	7,90	0,36	12,40	1,00	45,50	26,50	25,00	9500
24,90	12,10	0,55	12,20	1,00	55,50	31,50	37,90	8200
29,70	15,90	0,72	13,10	1,00	65,50	36,50	41,70	6600
35,10	19,20	0,87	13,20	1,50	72,00	43,00	46,20	6000
42,90	24,00	1,09	13,20	1,50	82,00	48,00	51,90	5300
55,60	31,70	1,44	13,00	1,50	92,00	53,00	59,30	4800
65,40	38,30	1,74	13,20	2,00	101,00	59,00	64,70	4200

FT150 range

High-temperature series up to +150°C



Bore code	Bearing	Internal clearance	Dimensions (mm)				Weight (kg)
			Inner diameter (d)	Outer diameter (D)	Width (B)	Minimum corner radius rs	Weight (kg)

FT150ZZ Shielded version

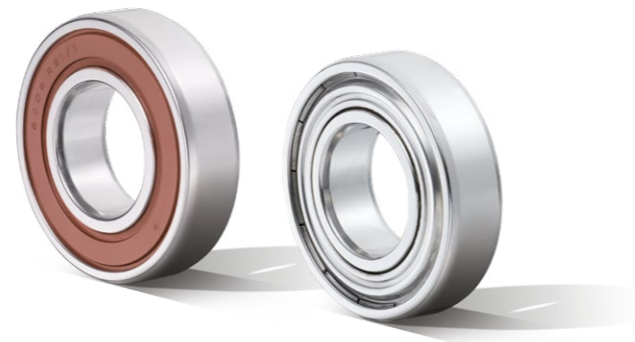
6000 series							
00	6000FT150ZZ	C3	10	26	8	0,30	0,0200
01	6001FT150ZZ	C3	12	28	8	0,30	0,0210
02	6002FT150ZZ	C3	15	32	9	0,30	0,0300
03	6003FT150ZZ	C3	17	35	10	0,30	0,0390
04	6004FT150ZZ	C3	20	42	12	0,60	0,0680
05	6005FT150ZZ	C3	25	47	12	0,60	0,0770
06	6006FT150ZZ	C3	30	55	13	1,00	0,1160
07	6007FT150ZZ	C3	35	62	14	1,00	0,1530
08	6008FT150ZZ	C3	40	68	15	1,00	0,1920
09	6009FT150ZZ	C3	45	75	16	1,00	0,2430
10	6010FT150ZZ	C3	50	80	16	1,00	0,2670
6200 series							
00	6200FT150ZZ	C3	10	30	9	0,60	0,0330
01	6201FT150ZZ	C3	12	32	10	0,60	0,0370
02	6202FT150ZZ	C3	15	35	11	0,60	0,0400
03	6203FT150ZZ	C3	17	40	12	0,60	0,0677
04	6204FT150ZZ	C3	20	47	14	1,00	0,1070
05	6205FT150ZZ	C3	25	52	15	1,00	0,1280
06	6206FT150ZZ	C3	30	62	16	1,00	0,1990
07	6207FT150ZZ	C3	35	72	17	1,10	0,2850
08	6208FT150ZZ	C3	40	80	18	1,10	0,3640
09	6209FT150ZZ	C3	45	85	19	1,10	0,4040
10	6210FT150ZZ	C3	50	90	20	1,10	0,4530
6300 series							
00	6300FT150ZZ	C3	10	35	11	0,60	0,0530
01	6301FT150ZZ	C3	12	37	12	1,00	0,0600
02	6302FT150ZZ	C3	15	42	13	1,00	0,0830
03	6303FT150ZZ	C3	17	47	14	1,00	0,1100
04	6304FT150ZZ	C3	20	52	15	1,10	0,1350
05	6305FT150ZZ	C3	25	62	17	1,10	0,2250
06	6306FT150ZZ	C3	30	72	19	1,10	0,3460
07	6307FT150ZZ	C3	35	80	21	1,50	0,4460
08	6308FT150ZZ	C3	40	90	23	1,50	0,6120
09	6309FT150ZZ	C3	45	100	25	1,50	0,8250

Basic load rating (kN)				Corner and abutment dimensions (mm)				Speed (rpm)
Dynamic load rating Cr	Static load rating C0r	Fatigue limit load Cu	Static load safety factor f0	Max. shaft & housing abutment radius ra max	Max. shoulder diameter (outer ring) Da max	Min. shoulder diameter (inner ring) da min	Max. shoulder diameter (inner ring) da max	Limiting speed (rpm)

4,80	1,97	0,09	12,40	0,30	24,00	12,00	14,70	28000
5,40	2,37	0,11	13,10	0,30	26,00	14,00	17,20	25000
5,90	2,85	0,13	13,90	0,30	30,00	17,00	20,50	21000
6,30	3,25	0,15	14,40	0,30	33,00	19,00	22,80	19000
9,90	5,00	0,23	13,80	0,60	38,00	24,00	27,50	16000
10,60	5,80	0,26	14,50	0,60	43,00	29,00	31,60	14000
13,90	8,30	0,38	14,80	1,00	50,00	35,00	38,20	12000
16,80	10,30	0,47	14,80	1,00	57,00	40,00	43,50	10000
17,70	11,50	0,52	15,30	1,00	63,00	45,00	48,90	9100
22,10	15,10	0,69	15,30	1,00	70,00	50,00	54,20	8200
23,00	16,60	0,75	15,60	1,00	75,00	55,00	59,70	7500
6300 series								
6,30	2,60	0,12	12,10	0,60	26,00	14,00	16,00	25000
7,30	3,10	0,14	12,20	0,60	28,00	16,00	18,30	23000
8,10	3,75	0,17	13,10	0,60	31,00	19,00	21,10	20000
10,10	4,75	0,22	13,10	0,60	36,00	21,00	24,10	17000
13,50	6,60	0,30	13,10	1,00	42,00	25,00	25,90	15000
14,80	7,90	0,36	13,90	1,00	47,00	30,00	31,80	13000
20,50	11,30	0,51	13,80	1,00	57,00	35,00	37,90	11000
27,10	15,30	0,70	13,80	1,00	65,50	41,50	44,00	9200
30,70	17,90	0,81	14,00	1,00	73,50	46,50	50,30	8200
34,50	20,40	0,93	14,10	1,00	78,50	51,50	54,50	7600
37,00	23,20	1,05	14,40	1,00	83,50	56,50	59,60	7000
6200 series								
8,50	3,45	0,16	11,20	0,60	31,00	14,00	15,40	22000
10,20	4,20	0,19	11,10	1,00	32,00	17,00	19,30	20000
11,90	5,30	0,24	12,10	1,00	37,00	20,00	23,20	17000
14,40	6,60	0,30	12,40	1,00	42,00	22,00	27,50	15000
16,80	7,90	0,36	12,40	1,00	45,50	26,50	30,00	14000
24,90	12,10	0,55	12,20	1,00	55,50	31,50	33,60	11000
29,70	15,90	0,72	13,10	1,00	65,50	36,50	42,40	9500
35,10	19,20	0,87	13,20	1,50	72,00	43,00	46,20	8500
42,90	24,00	1,09	13,20	1,50	82,00	48,00	51,90	7600
55,60	31,70	1,44	13,00	1,50	92,00	53,00	59,30	6800

HT200 range

High-temperature series up to +200°C



Bore code	Bearing	Internal clearance	Dimensions (mm)				Weight (kg)
			Inner diameter (d)	Outer diameter (D)	Width (B)	Minimum corner radius rs	Weight (kg)

HT200 - Sealed version

6000 series							
04	6004HT200	C4	20	42	12	0,60	0,0700
08	6008HT200	C4	40	68	15	1,00	0,1920
09	6009HT200	C4	45	75	16	1,00	0,2430
6200 series							
04	6204HT200	C4	20	47	14	1,00	0,1070
05	6205HT200	C4	25	52	15	1,00	0,1280
06	6206HT200	C4	30	62	16	1,00	0,1990
07	6207HT200	C4	35	72	17	1,10	0,2850
08	6208HT200	C4	40	80	18	1,10	0,3640
09	6209HT200	C4	45	85	19	1,10	0,4040
10	6210HT200	C4	50	90	20	1,10	0,4530
6300 series							
04	6304HT200	C4	20	52	15	1,10	0,1470
05	6305HT200	C4	25	62	17	1,10	0,2250
06	6306HT200	C4	30	72	19	1,10	0,3460
08	6308HT200	C4	40	90	23	1,50	0,6120
10	6310HT200	C4	50	110	27	2,00	1,0700

HT200ZZ - Shielded version

6000 series							
05	6005HT200ZZ	C4	25	47	12	0,60	0,0800
09	6009HT200ZZ	C4	45	75	16	1,00	0,2430
6200 series							
01	6201HT200ZZ	C4	12	32	10	0,60	0,0380
02	6202HT200ZZ	C4	15	35	11	0,60	0,0450
03	6203HT200ZZ	C4	17	40	12	0,60	0,0677
04	6204HT200ZZ	C4	20	47	14	1,00	0,1070
05	6205HT200ZZ	C4	25	52	15	1,00	0,1280
06	6206HT200ZZ	C4	30	62	16	1,00	0,1990
07	6207HT200ZZ	C4	35	72	17	1,10	0,2850
08	6208HT200ZZ	C4	40	80	18	1,10	0,3640
09	6209HT200ZZ	C4	45	85	19	1,10	0,4040
10	6210HT200ZZ	C4	50	90	20	1,10	0,4530
6300 series							
04	6304HT200ZZ	C4	20	52	15	1,10	0,1470
05	6305HT200ZZ	C4	25	62	17	1,10	0,2250
06	6306HT200ZZ	C4	30	72	19	1,10	0,3460
07	6307HT200ZZ	C4	35	80	21	1,50	0,4460
08	6308HT200ZZ	C4	40	90	23	1,50	0,6120
09	6309HT200ZZ	C4	45	100	25	1,50	0,8250

Basic load rating (kN)				Corner and abutment dimensions (mm)				Speed (rpm)
Dynamic load rating Cr	Static load rating C0r	Fatigue limit load Cu	Static load safety factor f0	Max. shaft & housing abutment radius ra max	Max. shoulder diameter (outer ring) Da max	Min. shoulder diameter (inner ring) da min	Max. shoulder diameter (inner ring) da max	Limiting speed (rpm)

9,90	5,00	0,23	13,80	0,60	38,00	24,00	27,50	7600
17,70	11,50	0,52	15,30	1,00	63,00	45,00	48,90	4400
22,10	15,10	0,69	15,30	1,00	70,00	50,00	54,20	3900
13,50	6,60	0,30	13,10	1,00	42,00	25,00	25,90	7100
13,80	7,90	0,45	13,90	1,00	47,00	30,00	31,80	6100
20,50	11,30	0,51	13,80	1,00	57,00	35,00	37,90	5200
27,10	15,30	0,70	13,80	1,00	65,50	41,50	44,00	4400
30,70	17,90	0,81	14,00	1,00	73,50	46,50	44,70	3900
34,50	20,40	0,93	14,10	1,00	78,50	51,50	54,50	3600
37,00	23,20	1,05	14,40	1,00	83,50	56,50	54,30	3400
16,80	7,90	0,36	12,40	1,00	45,50	26,50	30,00	6600
24,90	12,10	0,55	12,20	1,00	55,50	31,50	33,60	5500
29,70	15,90	0,72	13,10	1,00	65,50	36,50	42,40	4600
42,90	24,00	1,09	13,20	1,50	82,00	48,00	51,90	3600
65,40	38,30	1,74	13,20	2,00	101,00	59,00	119,00	2900

10,60	5,80	0,26	14,50	0,60	43,00	29,00	31,60	6700
22,10	15,10	0,69	15,30	1,00	70,00	50,00	54,20	3900
7,30	3,10	0,14	12,20	0,60	28,00	16,00	18,30	11000
8,10	3,75	0,17	13,10	0,60	31,00	19,00	21,10	9400
10,10	4,75	0,22	13,10	0,60	36,00	21,00	24,10	8400
13,50	6,60	0,30	13,10	1,00	42,00	25,00	25,90	7100
13,80	7,90	0,45	13,90	1,00	47,00	30,00	31,80	6100
20,50	11,30	0,51	13,80	1,00	57,00	35,00	37,90	5200
27,10	15,30	0,70	13,80	1,00	65,50	41,50	44,00	4400
30,70	17,90	0,81	14,00	1,00	73,50	46,50	50,30	3900
34,50	20,40	0,93	14,10	1,00	78,50	51,50	54,50	3600
37,00	23,20	1,05	14,40	1,00	83,50	56,50	59,60	3400
16,80	7,90	0,36	12,40	1,00	45,50	26,50	30,00	6600
24,90	12,10	0,55	12,20	1,00	55,50	31,50	33,60	5500
29,70	15,90	0,72	13,10	1,00	65,50	36,50	41,70	4600
35,10	19,20	0,87	13,20	1,50	72,00	43,00	46,20	4100
42,90	24,00	1,09	13,20	1,50	82,00	48,00	51,90	3600
55,60	31,70	1,44	13,00	1,50	92,00	53,00	59,30	3200

F60x range

High-temperature series (+200 to +350°C)

Bearing reference				Dimensions (mm)		Recommended load capacity max (kN) par Bearing - Speed < 50 rpm								Limiting speed (rpm)	Abutment shoulders and corner radii (mm)			Weight (kg)	
	F605	F600	F604			Freewheel (2 bearings per wheel)				Axle on 2 bearings					ra max (mm)	Da max (mm)	da min (mm)		
	d	D	B	200°	250°	350°	300°	200°	250°	300°	350°	ra max (mm)	Da max (mm)		da min (mm)				
6004	X	X	X	20	42	12	1,7	1,5	1,3	1,0	2,4	2,3	2,0	1,6	140	0,6	38	24	0,07
6005			X	25	47	12	1,9	1,7	1,5	1,2	2,8	2,6	2,3	1,9	120	0,6	43	29	0,08
6007	X	X	X	35	62	14	3,4	3,1	2,6	2,1	4,9	4,6	4,1	3,3	90	1	57	40	0,15
6008	X	X	X	40	68	15	3,8	3,5	2,9	2,3	5,5	5,2	4,6	3,7	80	1	63	45	0,19
6201			X	12	32	10	1,0	0,9	0,8	0,6	1,5	1,4	1,2	1,0	200	0,6	28	16	0,04
6204	X	X	X	20	47	14	2,2	2,0	1,7	1,3	3,2	3,0	2,6	2,1	130	1	42	25	0,10
6205	X	X	X	25	52	15	2,6	2,4	2,0	1,6	3,8	3,6	3,2	2,5	110	1	47	30	0,13
6206	X	X	X	30	62	16	3,7	3,4	2,8	2,3	5,4	5,1	4,5	3,6	100	1	57	35	0,19
6207	X	X	X	35	72	17	5,0	4,6	3,8	3,1	7,3	6,9	6,1	4,9	80	1	65,5	41,5	0,27
6208	X	X	X	40	80	18	5,9	5,4	4,5	3,6	8,6	8,1	7,2	5,7	70	1	73,5	46,5	0,35
6209	X	X	X	45	85	19	6,8	6,2	5,1	4,1	9,8	9,2	8,2	6,6	70	1	78,5	51,5	0,39
6210	X	X	X	50	90	20	7,7	7,0	5,8	4,6	11,1	10,4	9,3	7,4	60	1	83,5	56,5	0,44
6211	X	X	X	55	100	21	9,6	8,7	7,3	5,8	13,9	13,1	11,6	9,3	60	1,5	92	63	0,58
6212	X	X	X	60	110	22	11,9	10,8	9,0	7,2	17,3	16,2	14,4	11,5	50	1,5	102	68	0,73
6213	X	X	X	65	120	23	13,2	12,0	10,0	8,0	19,2	18,0	16,0	12,8	50	1,5	112	73	0,94
6214	X	X	X	70	125	24	14,5	13,2	11,0	8,8	21,1	19,8	17,6	14,1	40	1,5	117	78	1,03
6217		X		85	150	28	21,1	19,2	16,0	12,8	30,7	28,8	25,6	20,5	40	2	139	96	1,79
6305	X	X	X	25	62	17	4,0	3,7	3,1	2,4	5,9	5,5	4,9	3,9	100	1	55,5	31,5	0,24
6306	X	X	X	30	72	19	5,2	4,7	4,0	3,2	7,6	7,1	6,3	5,1	90	1	65,5	36,5	0,35
6307	X	X		35	80	21	6,4	5,8	4,8	3,8	9,2	8,6	7,7	6,1	80	1,5	72	43	0,45
6309	X	X	X	45	100	25	10,4	9,5	7,9	6,3	15,1	14,2	12,6	10,1	60	1,5	92	53	0,83
6310	X			50	110	27	12,5	11,4	9,5	7,6	18,2	17,1	15,2	12,2	50	2	101	59	1,07
6311	X	X	X	55	120	29	14,7	13,4	11,1	8,9	21,4	20,0	17,8	14,2	50	2	111	64	1,35
6212	X			60	130	31	17,2	15,6	13,0	10,4	25,0	23,4	20,8	16,6	50	2	119	71	1,68

Ball bearings selection guide

Expectations	SENTINEL SERIES SENTINEL Stainless steel		Standard Food processing Stainless steel	TOPLINE Steel + Non-food grade grease							
	SOLID GREASE "Spot Pack" SSN-LP09	LUBSOLID "Full Pack" S6xxx-FG1	Food Grease S6xxx-FD	6xxxLT	6xxxLTZZ	6xxxFT150	6xxxFT150ZZ	6xxxHT200	6xxxHT200ZZ	6xxxF6x	
Constraints	Health & Safety	***	***	**	-	-	-	-	-	-	-
	Resistance to water/ contaminant penetration	***	***	**	**	*	**	*	**	*	-
	Rotation speed	**	*	***	**	**	**	***	*	*	-
	Load capacity	**	**	**	***	***	***	***	***	***	*
	Low Temp < -10°C	-	-	**	**	***	-	-	-	-	-
	High Temp >100°C	-	-	**	-	-	***	***	***	***	***
Objectives	Eco-responsibility	***	***	**	*	*	*	*	*	*	*
	Productivity/Profitability	***	***	*	*	*	*	*	*	*	*

*** Excellent
 ** Very good
 * Good
 - Not suitable



STAINLESS STEEL BEARING INSERTS FOR BEARING UNITS

A flagship product for conveyor applications, SNR's range of stainless steel inserts meets the most sensitive and demanding applications of these equipments.

[SENTINEL range food industry](#)

SNR SUC2xxFG1 LUBSOLID "FULL PACK"

page 30

[Standard food range](#)

SNR SUC2xx food grease

page 32

SNR MUC2xxFD food grease

page 32

SNR SES2xx food grease

page 36

[Insert bearings selection guide](#)

page 38



Stainless steel insert bearings SNR SUC FG1 LUBSOLID



SENTINEL range food industry

SNR stainless steel ball bearing inserts with solid lubrication filling 100% of the free space. LUBSOLID is THE solution to the constraints of food processing applications.

Description

100% stainless steel bearings

- Rings
- Rolling elements
- Cage
- Set screws
- Slings
- Anti-rotation pin



Solid lubrication SNR LUBSOLID

- Full Pack application (100% of free volume)
- NSF category H1-approved solid lubricant
- Registration number 154154 (NSF white book)
- Operating temperature (°C):
 - -10°C to +80°C continuous
 - +100°C peak

Silicone seal

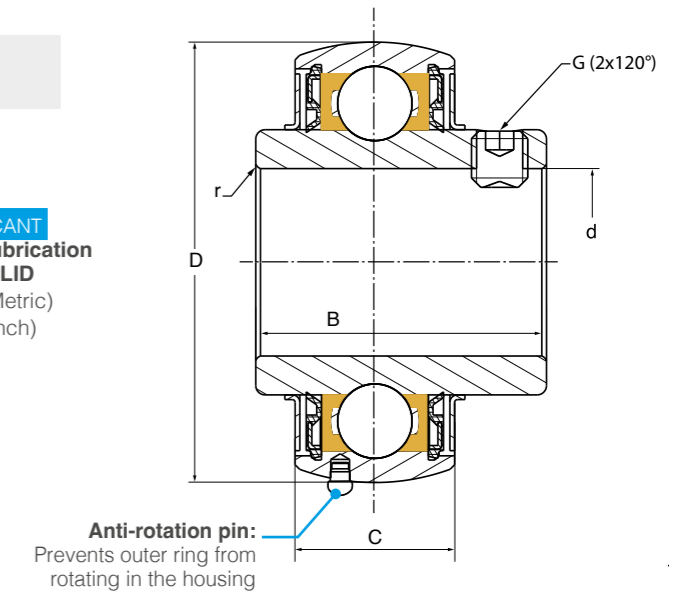
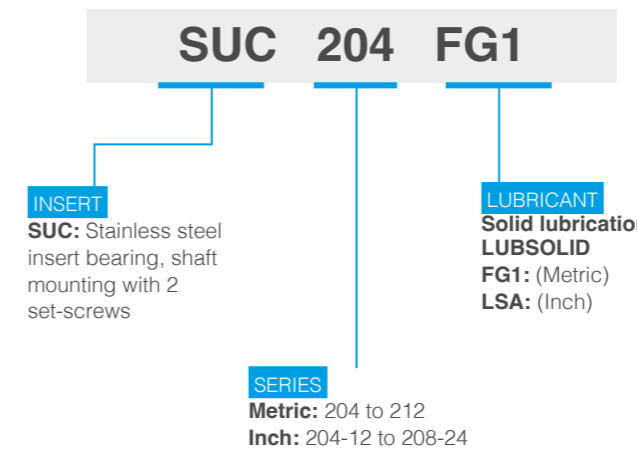
- Stainless steel frame
- Complies with FDA 21 recommendations CFR 177.2600

Benefits

- Clean production line, no grease leaks
- No re-greasing, no maintenance
- Solution to bearing access difficulties for relubrication or bearing replacement
- Fewer maintenance operations
- Significantly increased life
- LUBSOLID withstands high-pressure washing
- Reduced production downtime
- Reduced environmental impact, with no re-greasing and reduction in replacements

For more details on the SENTINEL range and solid lubrication, see double page 4 and 5.

Designation



Product references

Reference METRIC	Dimensions (mm)						Fixing bolt tightening torque (Nm)	Basic load rating (kN)		* Limiting speed (rpm)	Weight (kg)
	d	D	B	C	r min	G		C _r	C _{0r}		
SUC204FG1	20	47	31	17	0,5	M6x1	3,9	12,8	6,6	1000	0,16
SUC205FG1	25	52	34,1	17	0,5	M6x1	3,9	14	7,8	900	0,2
SUC206FG1	30	62	38,1	19	0,5	M6x1	3,9	19,4	11,2	750	0,32
SUC207FG1	35	72	42,9	20	1	M8x1	8,3	25,6	15,3	650	0,47
SUC208FG1	40	80	49,2	21	1	M8x1	8,3	32	19,3	580	0,63
SUC209FG1	45	85	49,2	22	1	M8x1	8,3	32,7	20,4	540	0,69
SUC210FG1	50	90	51,6	24	1	M10x1.25	18,7	35	23,1	500	0,77
SUC212FG1	60	110	65,1	27	1	M10x1.25	18,7	52,4	35,9	410	1,47

Reference INCH	Dimensions (mm)							Fixing bolt tightening torque (Nm)	Basic load rating (kN)		* Limiting speed (rpm)	Weight (kg)
	d (Inch)	d (mm)	D	B	C	r min	G		C _r	C _{0r}		
SUC204-12LSA	3/4	19,05	47	31	17	0,5	1/4-28UNF	3,9	12,8	6,6	1000	0,16
SUC205-16LSA	1	25,4	52	34,1	17	0,5	1/4-28UNF	3,9	14	7,8	900	0,2
SUC206-19LSA	1 3/16	30,163	62	38,1	19	0,5	1/4-28UNF	3,9	19,4	11,2	750	0,32
SUC206-20LSA	1 1/4	31,75	62	38,1	19	0,5	1/4-28UNF	3,9	19,4	11,2	650	0,32
SUC207-20LSA	1 1/4	31,75	72	42,9	20	1	5/16-28UNF	8,5	25,6	15,3	580	0,47
SUC207-23LSA	1 7/16	36,513	72	42,9	20	1	5/16-28UNF	8,5	25,6	15,3	540	0,47
SUC208-24LSA	1 1/2	38,1	80	49,2	21	1	5/16-28UNF	8,5	32	19,3	500	0,63

* Limiting speed values are valid for a bearing used in a room at an ambient temperature of around 20°C. For use in an environment at t° > 20°C, the limiting speed will be reduced; please contact your NTN technical contact.



Stainless steel insert bearings SNR SUC and MUC

Standard food range

The SNR SUC and SNR MUC stainless steel insert ball bearings with food-grade grease lubrication and set-screw locking is the universal standard for self-aligning bearing applications.

Description

100% stainless steel bearings

- Rings
- Rolling elements
- Cage
- Set screws
- Slings
- Anti-rotation pin



Food-grade lubrication

- NSF category H1 approved
- Operating temperature: -20°C to +100°C continuous

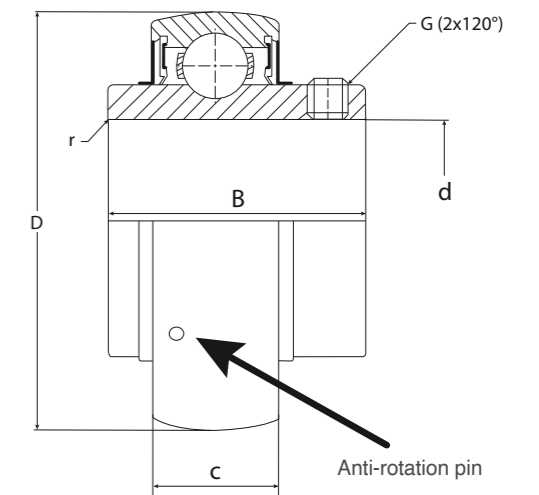
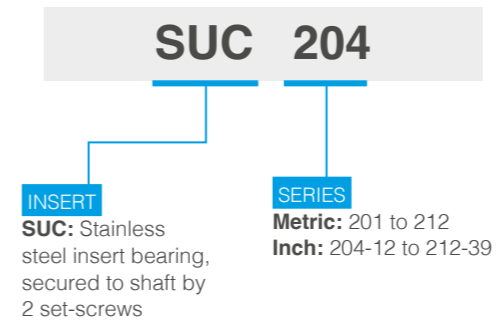
Silicone seal for SUC NBR seal for MUC

- Stainless steel frame
- FDA 21 CFR 177.2600 compliant

Benefits

- Quick and easy to install on the shaft
- Suitable for applications where the shaft rotates in both directions
- Equipped with 2 self-locking cupped screws for secure mounting of the bearing on the shaft
- No special mounting tools required
- Anti-rotation pin on outer diameter prevents the insert from rotating in its housing

Designation



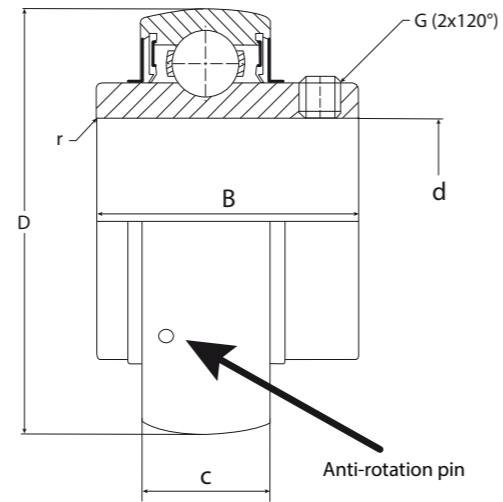
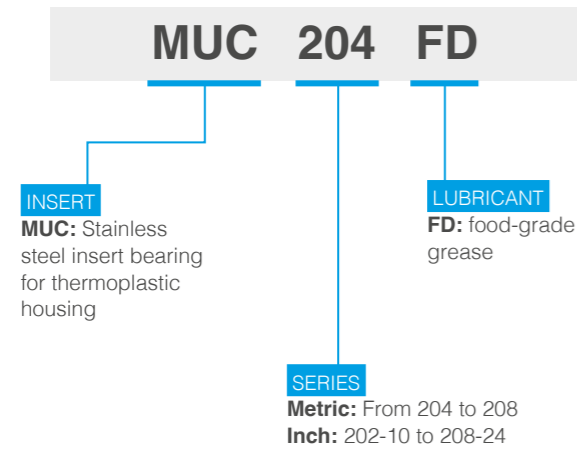
Product references

Reference METRIC	Dimensions (mm)						Screw tightening torque (Nm)	Basic load rating (kN)		Limiting speed (rpm)					Weight (kg)
	d	D	B	C	r min	G		Cr	C _{or}	j7	h6	h7	h8	h9	
SUC201	12	47	31	17	0,5	M6x1	3,9	12,8	6,6	6000	5400	4800	3400	1200	0,2
SUC202	15	47	31	17	0,5	M6x1	3,9	12,8	6,6	6000	5400	4800	3400	1200	0,2
SUC203	17	47	31	17	0,5	M6x1	3,9	12,8	6,6	6000	5400	4800	3400	1200	0,2
SUC204	20	47	31	17	0,5	M6x1	3,9	12,8	6,6	6700	5750	4800	3400	1200	0,2
SUC205	25	52	34,1	17	0,5	M6x1	3,9	14	7,8	5600	4800	4000	3000	1000	0,2
SUC206	30	62	38,1	19	0,5	M6x1	3,9	19,4	11,2	4600	4000	3400	2500	850	0,3
SUC207	35	72	42,9	20	1	M8x1	8,3	25,6	15,3	4000	3500	3000	2150	750	0,5
SUC208	40	80	49,2	21	1	M8x1	8,3	32	19,3	3600	3100	2600	1900	670	0,6
SUC209	45	85	49,2	22	1	M8x1	8,3	32,7	20,4	3200	2800	2400	1700	600	0,7
SUC210	50	90	51,6	24	1	M10x1,25	18,7	35	23,1	2900	2550	2200	1550	560	0,8
SUC211	55	100	55,6	25	1	M10x1,25	18,7	43,3	29,2	2600	2300	2000	1350	500	1,1
SUC212	60	110	65,1	27	1	M10x1,25	18,7	52,4	35,9	2400	2100	1800	1200	450	1,5

Reference INCH	Dimensions (mm)							Screw tightening torque (Nm)	Basic load rating (kN)		Limiting speed (rpm)					Weight (kg)
	d (Inch)	d (mm)	D	B	C	r min	G		Cr	C _{or}	j7	h6	h7	h8	h9	
SUC204-12	3/4	19,05	47	31	17	0,5	1/4-28UNF	3,9	12,8	6,6	6700	5750	4800	3400	1200	0,2
SUC205-16	1	25,4	52	34,1	17	0,5	1/4-28UNF	3,9	14	7,8	5600	4800	4000	3000	1000	0,2
SUC206-19	1 3/16	30,163	62	38,1	19	0,5	1/4-28UNF	3,9	19,4	11,2	4600	4000	3400	2500	850	0,3
SUC206-20	1 1/4	31,75	62	38,1	19	0,5	1/4-28UNF	3,9	19,4	11,2	4600	4000	3400	2500	850	0,3
SUC207-20	1 1/4	31,75	72	42,9	20	1	5/16-24UNF	8,3	25,6	15,3	4000	3500	3000	2150	750	0,5
SUC207-22	1 3/8	34,925	72	42,9	20	1	5/16-24UNF	8,3	25,6	15,3	4000	3500	3000	2150	750	0,5
SUC207-23	1 7/16	36,513	72	42,9	20	1	5/16-24UNF	8,3	25,6	15,3	4000	3500	3000	2150	750	0,5
SUC208-24	1 1/2	38,1	80	49,2	21	1	5/16-24UNF	8,3	32	19,3	3600	3100	2600	1900	670	0,6
SUC209-28	1 3/4	44,45	85	49,2	22	1	5/16-24UNF	8,3	32,7	20,4	3200	2800	2400	1700	600	0,7
SUC210-31	1 15/16	49,213	90	51,6	24	1	3/8-24UNF	18,7	35	23,1	2900	2550	2200	1550	560	0,8
SUC210-32	2	50,8	90	51,6	24	1	3/8-24UNF	18,7	35	23,1	2900	2550	2200	1550	560	0,8
SUC211-32	2	50,8	100	55,6	25	1	3/8-24UNF	18,7	43,3	29,2	2600	2300	2000	1350	500	1,1
SUC211-35	2 3/16	55,563	100	55,6	25	1	3/8-24UNF	18,7	43,3	29,2	2600	2300	2000	1350	500	1,1
SUC212-39	2 7/16	61,913	110	65,1	27	1	3/8-24UNF	18,7	52,4	35,9	2400	2100	1800	1200	450	1,5



Designation



Product references

Reference METRIC	Dimensions (mm)						Screw tightening torque (Nm)	Basic load rating (kN)		Limiting speed (rpm)					Weight (kg)
	d	D	B	C	r min	G		Cr	C _{or}	j7	h6	h7	h8	h9	
MUC204FD	20	47	31	17	1,5	M6x1	3,9	10,9	5,3	6700	5750	4800	3400	1200	0,2
MUC205FD	25	52	34,1	17	1,5	M6x1	3,9	11,9	6,3	5600	4800	4000	3000	1000	0,2
MUC206FD	30	62	38,1	19	1,5	M6x1	3,9	16,7	9	4600	4000	3400	2500	850	0,3
MUC207FD	35	72	42,9	20	2	M8x1	8,3	22	12,3	4000	3500	3000	2150	750	0,5
MUC208FD	40	80	49,2	21	2	M8x1	8,3	24,9	14,3	3600	3100	2600	1900	670	0,6

Reference INCH	Dimensions (mm)						Screw tightening torque (Nm)	Basic load rating (kN)		Limiting speed (rpm)					Weight (kg)	
	d (Inch)	d (mm)	D	B	C	r min		G	Cr	C _{or}	j7	h7	h7	h8		h9
MUC202-10FD	5/8	15,875	47	31	17	1	1/4-28UNF	3,9	10,9	5,3	6000	5400	4800	3400	1200	0,2
MUC204-12FD	3/4	19,05	47	31	17	1,5	1/4-28UNF	3,9	10,9	5,3	6700	5750	4800	3400	1200	0,2
MUC205-16FD	1	25,4	52	34,1	17	1,5	1/4-28UNF	3,9	11,9	6,3	5600	4800	4000	3000	1000	0,2
MUC206-18FD	1 1/8	28,575	62	38,1	19	1,5	1/4-28UNF	3,9	16,7	9	4600	4000	3400	2500	850	0,3
MUC206-19FD	1 3/16	30,163	62	38,1	19	1,5	1/4-28UNF	3,9	16,7	9	4600	4000	3400	2500	850	0,3
MUC206-20FD	1 1/4	31,75	62	38,1	19	1,5	1/4-28UNF	3,9	16,7	9	4600	4000	3400	2500	850	0,3
MUC207-20FD	1 1/4	31,75	72	42,9	20	2	5/16-24UNF	8,3	22	12,3	4000	3500	3000	2150	750	0,5
MUC207-22FD	1 3/8	34,925	72	42,9	20	2	5/16-24UNF	8,3	22	12,3	4000	3500	3000	2150	750	0,5
MUC207-23FD	1 7/16	36,513	72	42,9	20	2	5/16-24UNF	8,3	22	12,3	4000	3500	3000	2150	750	0,5
MUC208-24FD	1 1/2	38,1	80	49,2	21	2	5/16-24UNF	8,3	24,9	14,3	3600	3100	2600	1900	670	0,6

SNR SES stainless steel insert bearings

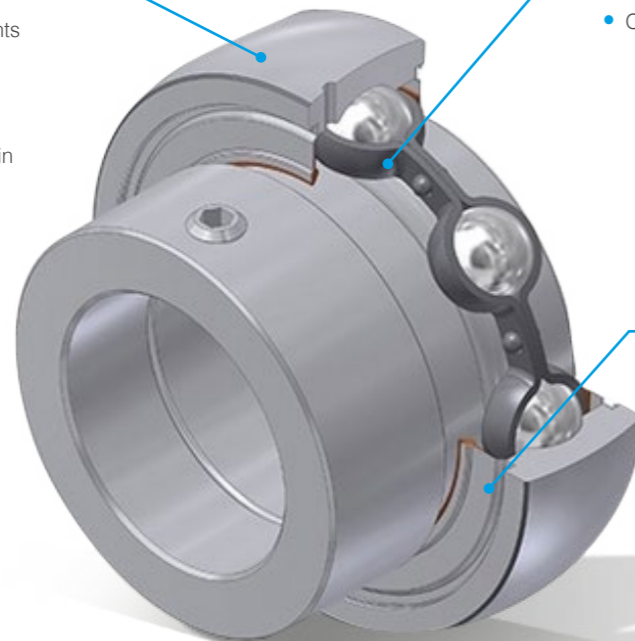
Standard food range

The SNR SES stainless steel insert bearing with food-grade grease and eccentric locking collar is the preferred alternative for higher axial loads where the shaft rotates in one direction only.

Description

100% stainless steel bearings

- Rings
- Rolling elements
- Cage
- Set screws
- Slings
- Anti-rotation pin



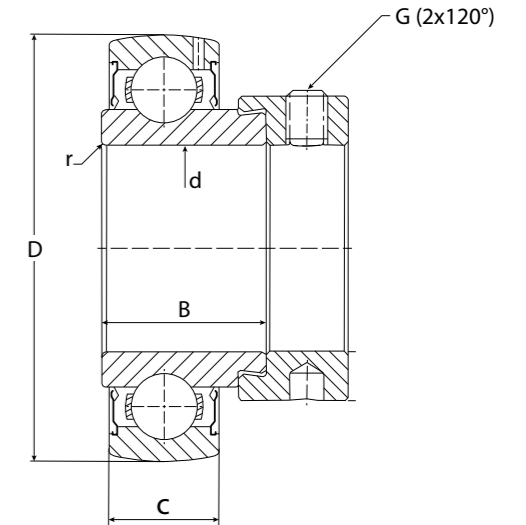
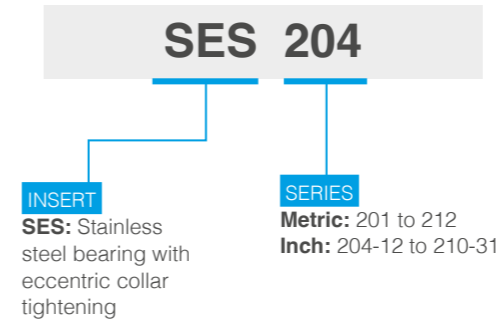
Food-grade lubrication

- NSF category H1 approved
- Operating temperature (°C):
- -20°C to +100°C continuous

Silicone seal

- Stainless steel frame
- Complies with FDA 21 recommendations CFR 177.2600

Designation



Product references

Reference METRIC	Dimensions (mm)						Screw tightening torque (Nm)	Basic load rating (kN)		Limiting speed (rpm)					Weight (kg)
	d	D	B	C	r min	G		Cr	C _{or}	j7	h6	h7	h8	h9	
SES201	12	40	19,1	12	0,5	M6x1	3,9	9,5	4,7	6700	6000	5300	3800	1400	0,1
SES202	15	40	19,1	12	0,5	M6x1	3,9	9,5	4,7	6700	6000	5300	3800	1400	0,1
SES203	17	40	19,1	12	0,5	M6x1	3,9	9,5	4,7	6700	6000	5300	3800	1400	0,1
SES204	20	47	21,5	14	0,5	M6x1	3,9	12,8	6,6	6700	5750	4800	3400	1200	0,2
SES205	25	52	21,5	15	0,5	M6x1	3,9	14	7,8	5600	4800	4000	3000	1000	0,2
SES206	30	62	23,8	16	0,5	M8x1	8,3	19,4	11,2	4600	4000	3400	2500	850	0,3
SES207	35	72	25,4	17	1	M8x1	8,3	25,6	15,3	4000	3500	3000	2150	750	0,5
SES208	40	80	30,2	18	1	M8x1	8,3	32	19,3	3600	3100	2600	1900	670	0,6
SES209	45	85	30,2	19	1	M8x1	8,3	32,7	20,4	3200	2800	2400	1700	600	0,7
SES210	50	90	30,2	20	1	M8x1	8,3	35	23,1	2900	2550	2200	1550	560	0,8
SES211	55	100	32,5	21	1	M10x1,25	18,7	43,3	29,2	2600	2300	2000	1350	500	1
SES212	60	110	37,1	22	1	M10x1,25	18,7	52,4	35,9	2400	2100	1800	1200	450	1,3

Reference INCH	Dimensions (mm)							Screw tightening torque (Nm)	Basic load rating (kN)		Limiting speed (rpm)					Weight (kg)
	d (Inch)	d (mm)	D	B	C	r min	G		Cr	C _{or}	j7	h6	h7	h8	h9	
SES204-12	3/4	19,05	47	21,5	14	0,5	1/4-28UNF	3,9	12,8	6,6	6700	5750	4800	3400	1200	0,2
SES205-16	1	25,4	52	21,5	15	0,5	1/4-28UNF	3,9	14	7,8	5600	4800	4000	3000	1000	0,2
SES206-19	1 3/16	30,163	62	23,8	16	0,5	5/16-24UNF	8,3	19,4	11,2	4600	4000	3400	2500	850	0,3
SES206-20	1 1/4	31,75	62	23,8	16	0,5	5/16-24UNF	8,3	19,4	11,2	4600	4000	3400	2500	850	0,3
SES207-22	1 3/8	34,925	72	25,4	17	1	5/16-24UNF	8,3	25,6	15,3	4000	3500	3000	2150	750	0,5
SES207-23	1 7/16	36,513	72	25,4	17	1	5/16-24UNF	8,3	25,6	15,3	4000	3500	3000	2150	750	0,5
SES208-24	1 1/2	38,1	80	30,2	18	1	5/16-24UNF	8,3	32	19,3	3600	3100	2600	1900	670	0,6
SES209-28	1 3/4	44,45	85	30,2	19	1	5/16-24UNF	8,3	32,7	20,4	3200	2800	2400	1700	600	0,7
SES210-31	1 15/16	49,213	90	30,2	20	1	5/16-24UNF	8,3	35	23,1	2900	2550	2200	1550	560	0,8

Benefits

- Quick and easy to install on the shaft
- Easy to disassemble
- Reduced shaft surface damage
- Anti-rotation pin on outer ring prevents the insert from rotating in its housing

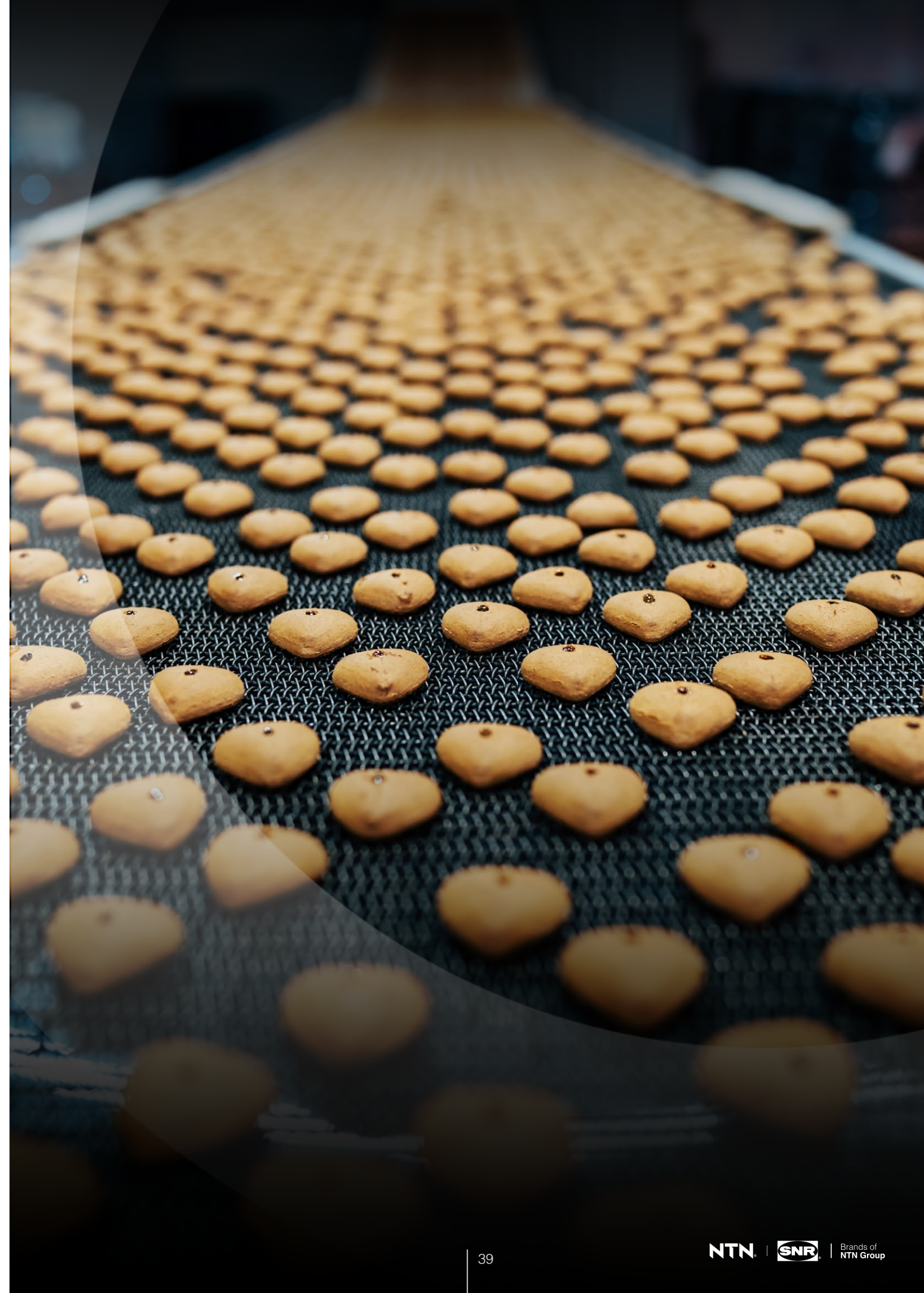
Note: Only suitable for applications where the shaft rotates in one direction.



Insert bearings selection guide

		 SENTINEL inserts with LUBSOLID "Full Pack"	Stainless inserts with standard food-grade grease		
Expectations		SUC-FG1	SUC	MUC	SES
Constraints	Health & Safety	***	**	**	**
	Resistance to water/contaminant penetration	***	**	**	**
	Rotation speed	*	***	***	***
	Load capacity	***	***	***	***
	Low Temp < -10°C	-	**	**	**
	High Temp > 100°C	-	-	-	-
Objectives	Eco-responsibility	***	*	*	*
	Productivity/Profitability	***	*	*	*

*** Excellent
 ** Very good
 * Good
 - Not suitable



SELF-ALIGNING BEARING UNITS

An essential complement to insert bearings, SNR's range of thermoplastic and stainless steel housings offers a wide choice of designs and sizes.

SENTINEL range food industry

SNR LUBSOLID "FULL PACK" thermoplastic bearing units

page 42

SNR LUBSOLID "FULL PACK" stainless steel bearing units

page 50

Standard food range

SNR thermoplastic bearing units with food-grade grease

page 58

SNR stainless steel bearing units with food-grade grease

page 62

Bearing unit selection guide

page 68



SNR LUBSOLID thermoplastic bearing units



SENTINEL range food industry

Optimised SUC inserts with solid lubrication combined with thermoplastic housings from the standard range for even greater performance.

Description

Thermoplastic housing

- Polybutylene terephthalate (PBT), resistant to mildew and cleaning agents
- FDA (US food and drugs administration) compliant
- No grease nipple
- Recesses in rear of housing to locate anti-rotation pin

Solid lubrication SNR LUBSOLID

- Full Pack application (100% of free volume)
- NSF category H1-approved solid lubricant
- Registration number 154154 (NSF white book)
- FDA (US food and drugs administration) compliant
- Operating temperature (°C):
 - -10°C to +80°C continuous
 - +100°C peak

100% stainless steel bearings

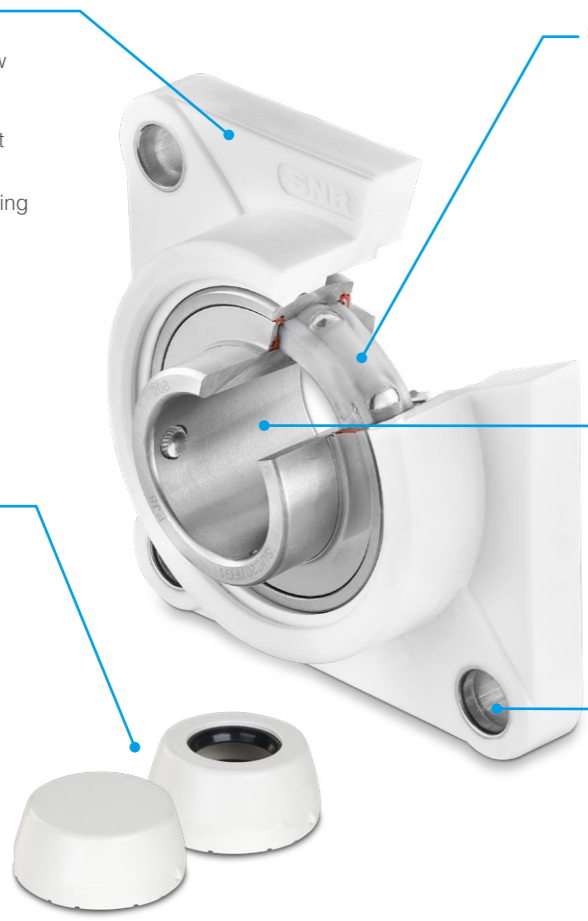
- Rings
- Rolling elements
- Cage
- Set screws
- Slingers
- Anti-rotation pin

Sleeved fixing bolt holes

- Stainless steel

Open and closed protective covers

- Polypropylene (PP)
- Stainless steel seal spring in open cover
- Nitrile (NBR) shaft seal in open cover
- Complies with FDA (US food and drugs administration) regulations, section 177.1520



Thermoplastic unit advantages

Easy to clean

- Resistant to many chlorinated and corrosive cleaning solutions
- Resistant to bacterial growth
- Cavity-free bearing surface prevents material deposits
- Protective caps provide additional protection against regular wash-downs.
- Smooth surfaces to prevent contaminant retention

Durability

- Good resistance to friction and wear
- Fixing bolt holes reinforced with metal inserts

Designation



Protective covers must be ordered separately. All housings are machined to accept protective covers.

SUC PPL 204 FG1

INSERT

SUC: Stainless steel set screw insert bearing

SERIES

Metric: from 204 to 210
Inch: available on request from 204-12 to 208-24

LUBRICANT

Solid lubrication LUBSOLID FG1 (Metric)
LSA (Inch)

HOUSING

WPPL: Pillow block
WTBL: Threaded base pillow block
WNFL: 2 bolt flange
WFBL: 3 bolt flange
WFPL: 4 bolt flange

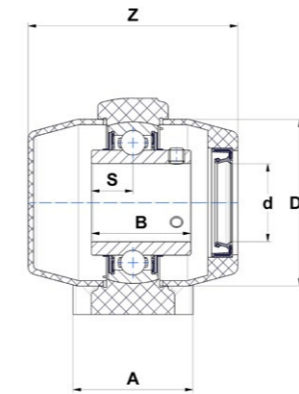
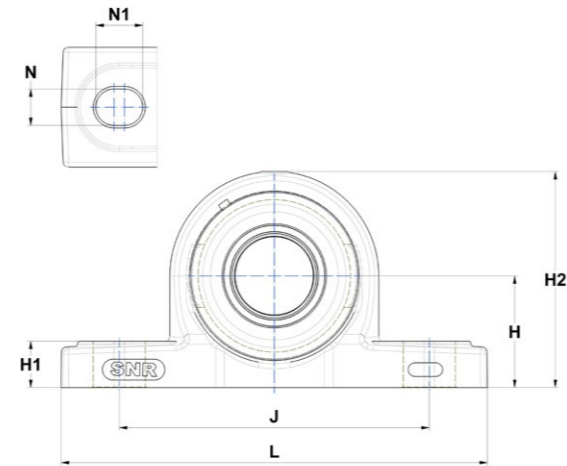
W: Prefix for housings without a grease nipple

SENTINEL benefits

All the advantages of the SENTINEL range and its solid lubrication: **SAFETY / PRODUCTIVITY / ECO-RESPONSIBILITY.** For more details, see double page 4 and 5.

Product references

Thermoplastic pillow blocks
SUCPPL2..FG1 "LUBSOLID" series

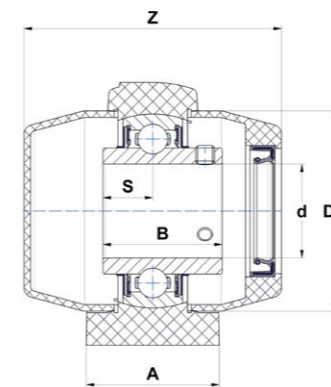
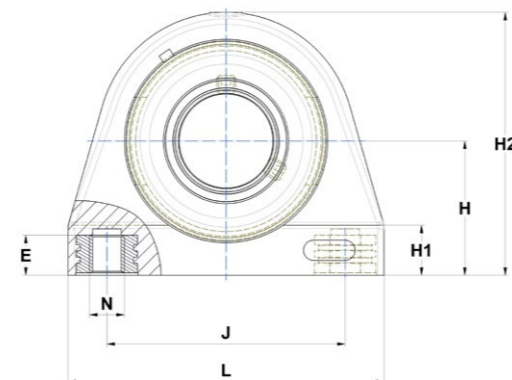


Shaft diameter d (mm)	Reference	Weight (kg)	Dimensions (mm)									
			L	J	H	H1	H2	A	N	N1	S	B
20	SUCPPL204FG1	0,3	127	95	33,3	14,2	65	38	11	14	12,7	31
25	SUCPPL205FG1	0,3	140	105	36,5	14,5	71	38	11	14	14,3	34,1
30	SUCPPL206FG1	0,5	162	119	42,9	17,8	83	46	14	18	15,9	38,1
35	SUCPPL207FG1	0,8	167	127	47,6	18	94	48	14	18	17,5	42,9
40	SUCPPL208FG1	1,0	184	137	49,2	19,5	98	54	14	18	19	49,2
45	SUCPPL209FG1*	1,1	192	146	54	23	106	54	17	20	19	49,2
50	SUCPPL210FG1	1,2	206	159	57,2	23	114	60	17	20	19	51,6

* On request

Housing	Bolt size	Max. tightening torque (Nm)	Bearing Insert	Protective cover		Z	Dz
				Open	Closed		
WPPL204	M10	17,5	SUC204FG1	CV204	CF204	63,3	50
WPPL205	M10	17,5	SUC205FG1	CV205	CF205	68,1	55
WPPL206	M12	30,5	SUC206FG1	CV206	CF206	80,4	64
WPPL207	M12	30,5	SUC207FG1	CV207	CF207	89,7	74,5
WPPL208	M12	30,5	SUC208FG1	CV208	CF208	103	84
WPPL209	M16	50,0	SUC209FG1	CV209	CF209	110,8	89
WPPL210	M16	50,0	SUC210FG1	CV210	CF210	122,6	94

Thermoplastic threaded base pillow blocks
SUCTBL2..FG1 "LUBSOLID" series



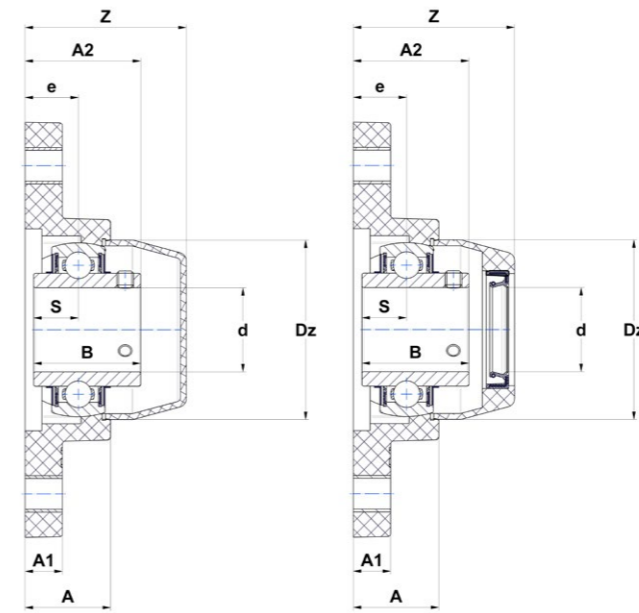
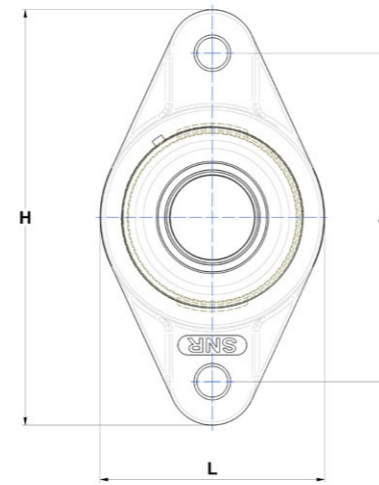
Shaft diameter d (mm)	Reference	Weight (kg)	Dimensions (mm)									
			L	J	H	H1	H2	A	E	S	B	
20	SUCTBL204FG1	0,3	72,8	50,8	33,3	13	66	34,5	12	12,7	31	
25	SUCTBL205FG1	0,3	76,2	50,8	36,5	14	73,5	39,5	12	14,3	34,1	
30	SUCTBL206FG1	0,5	101	76,2	42,9	16	84	42,5	12	15,9	38,1	
35	SUCTBL207FG1	0,7	110	82,6	47,6	18,5	95	47,5	15,5	17,5	42,9	
40	SUCTBL208FG1	0,9	120	88,9	49,2	22,5	100,5	48	16	19	49,2	
45	SUCTBL209FG1*	1,1	124	95,3	54	22,5	108,5	50	16	19	49,2	
50	SUCTBL210FG1*	1,3	135	101,6	57,2	24	115	54	23,5	19	51,6	

* On request

Housing	N	Max. tightening torque (Nm)	Bearing Insert	Protective cover		Z	Dz
				Open	Closed		
WTBL204	M8	5,3	SUC204FG1	CV204	CF204	64,7	50
WTBL205	M10	17,5	SUC205FG1	CV205	CF205	70	55
WTBL206	M10	17,5	SUC206FG1	CV206	CF206	82,3	64
WTBL207	M10	17,5	SUC207FG1	CV207	CF207	89,9	74,5
WTBL208	M12	30,5	SUC208FG1	CV208	CF208	102,8	84
WTBL209	M12	30,5	SUC209FG1	CV209	CF209	109,2	89
WTBL210	M16	50	SUC210FG1	CV210	CF210	123,3	94

Product drawings are shown with protective covers, but these are sold separately.

Thermoplastic 2 bolt flange units
SUCNFL2..FG1 "LUBSOLID" series

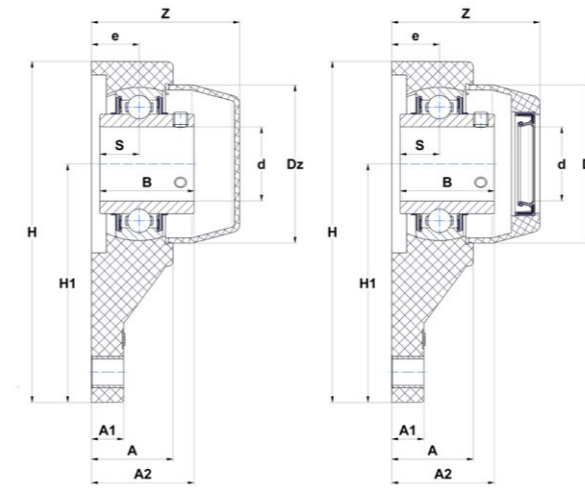
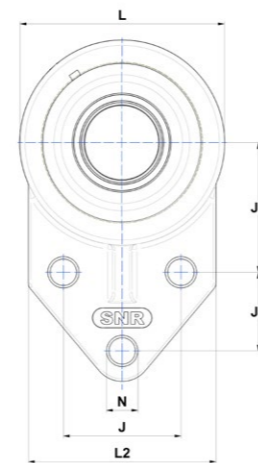


Shaft diameter d (mm)	Reference	Weight (kg)	Dimensions (mm)									
			H	J	L	N	A	A1	A2	e	S	B
20	SUCNFL204FG1	0,3	113	90	64,8	11	26,5	11,4	33,7	15,4	12,7	31
25	SUCNFL205FG1	0,3	130	99	70	11	29,1	13,5	36,8	17	14,3	34,1
30	SUCNFL206FG1	0,5	148	117	80	11	30,5	13,3	41,2	19	15,9	38,1
35	SUCNFL207FG1	0,7	163	130	90	13	32,8	16,1	43,4	18	17,5	42,9
40	SUCNFL208FG1	0,9	175	144	100	14	37,5	20	51,7	21,5	19	49,2
45	SUCNFL209FG1*	1,0	188	148,5	108	17	41	21	54,2	24	19	49,2
50	SUCNFL210FG1	1,2	197	157	115	17	43	21	57,6	25	19	51,6

* On request

Housing	Bolt size	Max. tightening torque (Nm)	Bearing Insert	Protective cover		Z	Dz
				Open	Closed		
WNFL204	M10	17,5	SUC204FG1	CV204	CF204	46,8	50
WNFL205	M10	17,5	SUC205FG1	CV205	CF205	51,1	55
WNFL206	M10	17,5	SUC206FG1	CV206	CF206	57,5	64
WNFL207	M12	30,5	SUC207FG1	CV207	CF207	61,6	74,5
WNFL208	M12	30,5	SUC208FG1	CV208	CF208	71	84
WNFL209	M16	45,0	SUC209FG1	CV209	CF209	78,4	89
WNFL210	M16	45,0	SUC210FG1	CV210	CF210	86,3	94

Thermoplastic 3 bolt flange units
SUCFBL2..FG1 "LUBSOLID" series

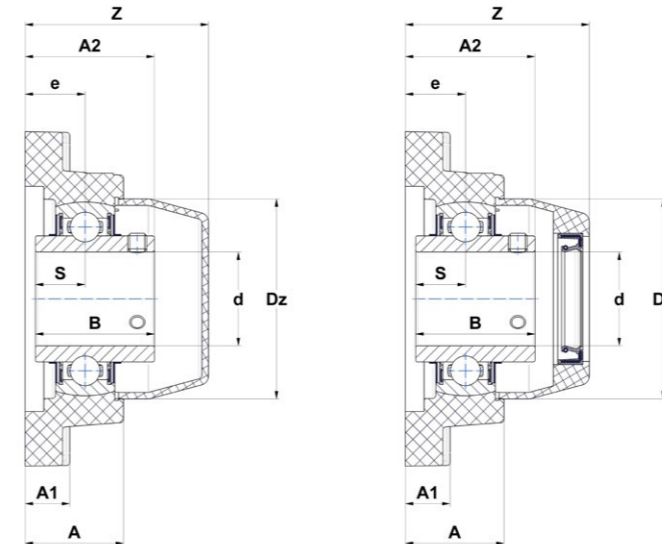
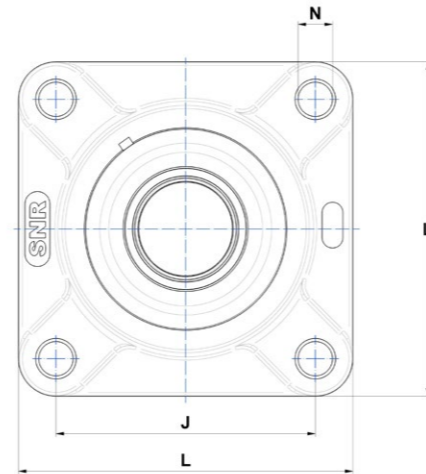


Shaft diameter d (mm)	Reference	Weight (kg)	Dimensions (mm)												
			H	H1	L	L2	J	J3	J4	N	A	A1	e	S	B
20	SUCFBL204FG1	0,26	108	76,2	63,5	62	38,1	42,9	22,2	10,7	26,5	11,4	15,4	12,7	31
25	SUCFBL205FG1	0,3	120,6	85,7	70	63,5	41,3	46	28,6	10,7	34	11,4	21,8	14,3	34,1
30	SUCFBL206FG1	0,46	138,5	96,5	83	76	47,6	52,4	31,8	10,7	32	13,3	19,3	15,9	38,1
35	SUCFBL207FG1	0,66	157	108,5	95	89	50,8	60,3	31,8	13,1	36,5	16,1	21,7	17,5	42,9
40	SUCFBL208FG1	0,85	158,5	109,5	99	89	50,8	60,3	31,8	13,1	36	16	21,5	19	49,2

Housing	Bolt size	Max. tightening torque (Nm)	Bearing Insert	Protective cover		Z	Dz
				Open	Closed		
WFBL204	M10	17,5	SUC204FG1	CV204	CF204	46,8	50
WFBL205	M10	17,5	SUC205FG1	CV205	CF205	56,2	55
WFBL206	M10	17,5	SUC206FG1	CV206	CF206	58,9	64
WFBL207	M12	30,5	SUC207FG1	CV207	CF207	65,1	74,5
WFBL208	M12	30,5	SUC208FG1	CV208	CF208	69,5	84

Product drawings are shown with protective covers, but these are sold separately.

Thermoplastic 4 bolt flange units SUCFPL2..FG1 "LUBSOLID" series



Shaft diameter d (mm)	Reference	Weight (kg)	Dimensions (mm)								
			L	J	N	A	A1	A2	e	S	B
20	SUCFPL204FG1	0,3	86,0	63,5	11	27,8	13,4	36,3	18	12,7	31
25	SUCFPL205FG1	0,4	95,0	70	11	28	14,3	36,8	17	14,3	34,1
30	SUCFPL206FG1	0,5	107,0	83	11	31,5	14,3	41,4	19,2	15,9	38,1
35	SUCFPL207FG1	0,7	118,0	92	13	34,8	15,5	46,9	21,5	17,5	42,9
40	SUCFPL208FG1	1,0	130,0	102	14	37,5	17	53,2	23	19	49,2
45	SUCFPL209FG1*	1,1	137,0	105	17	41	19	54,2	24	19	49,2
50	SUCFPL210FG1	1,3	143,0	111	17	43	21	57,2	25	19	51,6

* On request

Housing	Bolt size	Max. tightening torque (Nm)	Bearing Insert	Protective cover		Z	Dz
				Open	Closed		
WFPL204	M10	17,5	SUC204FG1	CV204	CF204	48,2	50
WFPL205	M10	17,5	SUC205FG1	CV205	CF205	50,1	55
WFPL206	M10	17,5	SUC206FG1	CV206	CF206	58,7	64
WFPL207	M12	30,5	SUC207FG1	CV207	CF207	63,6	74,5
WFPL208	M12	30,5	SUC208FG1	CV208	CF208	71	84
WFPL209	M16	45,0	SUC209FG1	CV209	CF209	78,4	89
WFPL210	M16	45,0	SUC210FG1	CV210	CF210	86,3	94

Maximum load capacity of thermoplastic housings

Values indicate the static resistance of thermoplastic housings at ambient temperature.

Reference	TBL204	TBL205	TBL206	TBL207	TBL208	TBL209	TBL210
Load direction	[N]						
	8210	8540	10370	12150	12230	12900	13850
	6900	7010	6580	8080	9100	10400	11050
	2980	2850	4950	8160	9800	10710	11360

Reference	PPL204	PPL205	PPL206	PPL207	PPL208	PPL209	PPL210
Load direction	[N]						
	8800	13700	12650	12750	13100	13360	13850
	7700	10000	10600	10800	11100	11400	11750
	5000	8100	5750	7500	8500	8950	9550

Reference	NFL204	NFL205	NFL206	NFL207	NFL208	NFL209	NFL210
Load direction	[N]						
	11750	11375	16450	16900	17350	17600	17950
	11000	13850	13350	13950	14050	14300	14550
	8500	11100	14200	14900	14900	15150	15650

Reference	FBL204	FBL205	FBL206	FBL207	FBL208
Load direction	[N]				
	7200	9100	12200	12900	12900
	9200	11100	11800	11900	11900
	2600	2800	2900	3100	3100

Reference	FPL204	FPL205	FPL206	FPL207	FPL208	FPL209	FPL210
Load direction	[N]						
	15950	13000	18000	18500	19100	19350	19650
	10250	12150	17700	18500	19250	19350	19650
	3650	3350	3350	3520	3790	3850	3990

Product drawings are shown with protective covers, but these are sold separately.

Self-aligning stainless steel bearing units SNR LUBSOLID



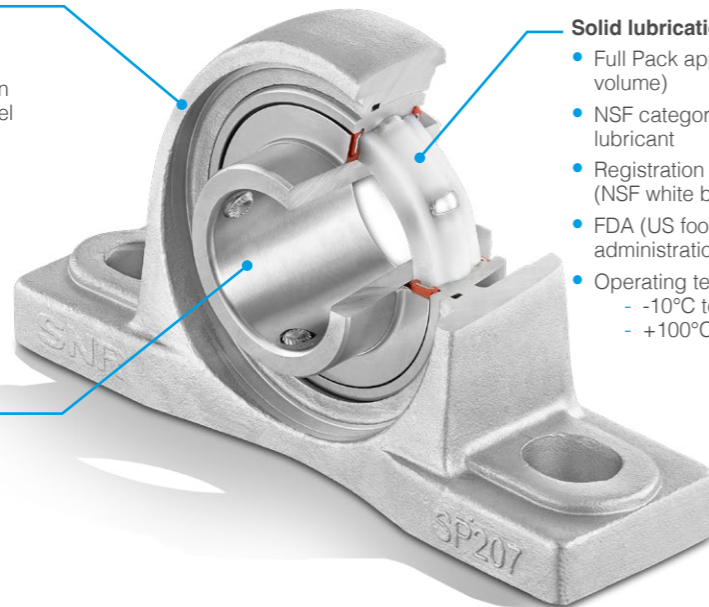
SENTINEL range food industry

Optimised SUC inserts with solid lubrication combined with stainless steel housings from the standard range for even greater performance.

Technical specifications

Stainless steel housing

- FDA (US food and drugs administration) compliant
- The grease nipple has been replaced by a stainless steel screw.



Solid lubrication SNR LUBSOLID

- Full Pack application (100% of free volume)
- NSF category H1-approved solid lubricant
- Registration number 154154 (NSF white book)
- FDA (US food and drugs administration) compliant
- Operating temperature (°C):
 - -10°C to +80°C continuous
 - +100°C peak

100% stainless steel bearings

- Rings
- Rolling elements
- Cage
- Set screws
- Slings
- Anti-rotation pin



Open and closed protective covers

- Stainless steel
- Silicone shaft seal in open cover
- Complies with FDA (US food and drugs administration) regulations, section 177.1520



SENTINEL benefits

All the advantages of the SENTINEL range and its solid lubrication: **SAFETY / PRODUCTIVITY / ECO-RESPONSIBILITY**. For more details see double page 4 and 5

Stainless steel bearing unit advantages

Premium series

- Optimal performance for protection against oxidation, mould, mildew and chemical cleaning agents
- High-quality stainless steel

Durability

- Excellent mounting stability and high impact resistance
- Cavity-free bearing surface prevents material deposits
- Designed to withstand aggressive cleaning and corrosive environments
- Open or closed stainless steel protective covers compatible with all stainless bearing units

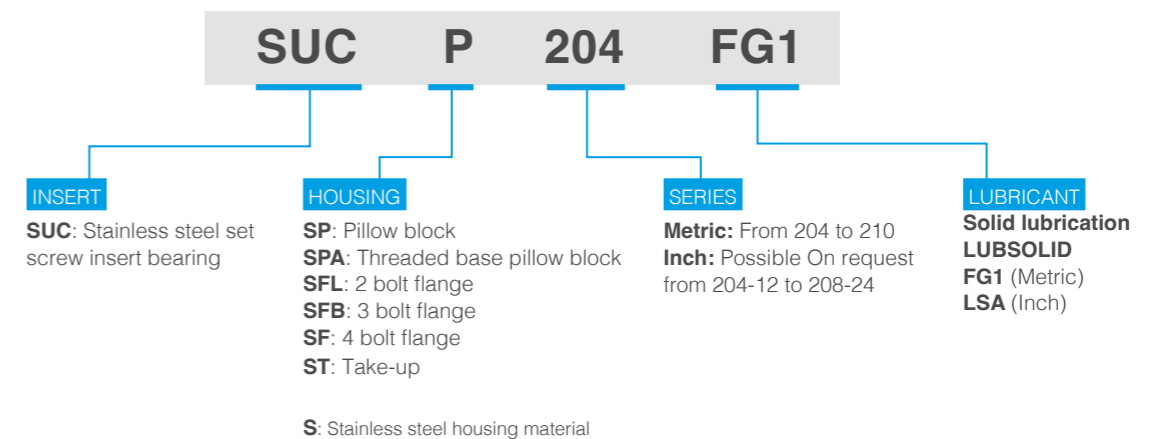
Less downtime, more profitability

- End caps provide additional protection during high-pressure washdowns

Designation

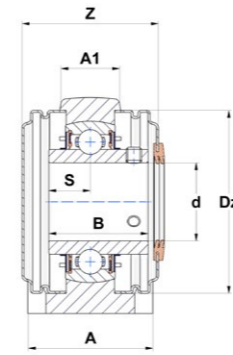
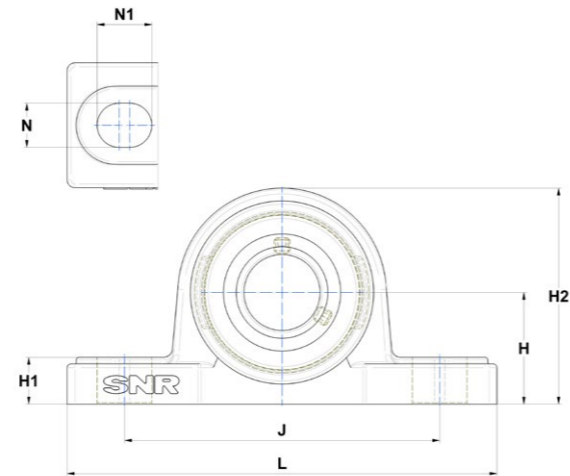


Protective covers must be ordered separately.
All housings are machined to accept protective covers.



Stainless steel pillow blocks

SUCP2..FG1 "LUBSOLID" series

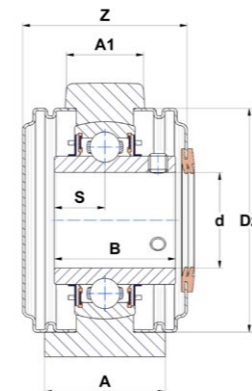
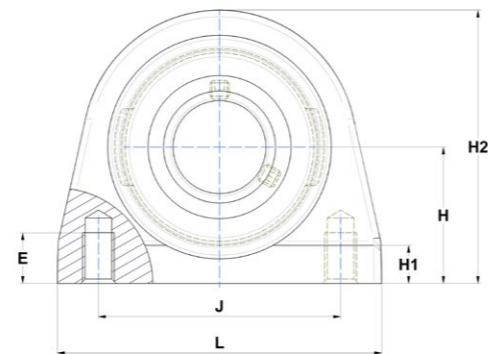


Shaft diameter d (mm)	Reference	Weight (kg)	Dimensions (mm)										
			L	J	H	H1	H2	A	A1	N	N1	S	B
20	SUCP204FG1	0,8	126	95	33,3	15	65	38	21	13	19	12,7	31
25	SUCP205FG1	0,9	140	105	36,5	16	70	38	23,5	13	19	14,3	34,1
30	SUCP206FG1	1,5	165	121	42,9	18	83	48	24	17	21	15,9	38,1
35	SUCP207FG1	1,8	167	127	47,6	19	94	48	27	17	21	17,5	42,9
40	SUCP208FG1	2,3	184	136	49,2	19	100	54	27	17	23	19	49,2
45	SUCP209FG1	2,6	190	146	54	20	109	54	28	17	23	19	49,2
50	SUCP210FG1	3,2	206	159	57,2	22	114	60	30	20	25	19	51,6

Housing	Bolt size	Max. tightening torque (Nm)	Bearing Insert	Protective cover		Z	Dz
				Open	Closed		
SP204N	M10	30,0	SUC204FG1	SCO204-20	SCC204	44,6	54
SP205N	M10	30,0	SUC205FG1	SCO205-25	SCC205	46,8	60
SP206N	M14	85,0	SUC206FG1	SCO206-30	SCC206	51,8	70
SP207N	M14	85,0	SUC207FG1	SCO207-35	SCC207	57,4	80
SP208N	M14	85,0	SUC208FG1	SCO208-40	SCC208	67,8	88
SP209N	M14	85,0	SUC209FG1	SCO209-45	SCC209	68,3	95
SP210N	M16	132,5	SUC210FG1	SCO210-50	SCC210	74,6	100

Stainless steel threaded base pillow blocks

SUCPA2..FG1 "LUBSOLID" series

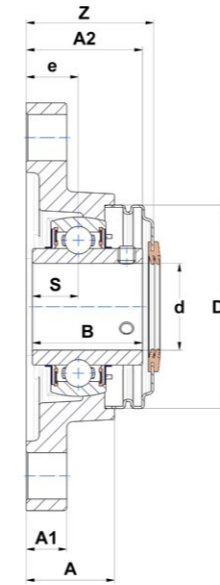
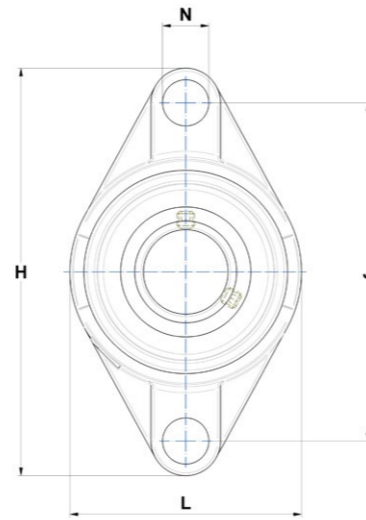


Shaft diameter d (mm)	Reference	Weight (kg)	Dimensions (mm)									
			L	J	H	H1	H2	A	A1	S	B	
20	SUCPA204FG1	0,6	73	50,8	33,3	11	65	38	23	12,7	31	
25	SUCPA205FG1	0,7	76	50,8	36,5	12	71	38	24	14,3	34,1	
30	SUCPA206FG1	1,2	102	76,2	42,9	12	86	38	24	15,9	38,1	
35	SUCPA207FG1	1,7	108	82,6	47,6	12	95	48	25	17,5	42,9	
40	SUCPA208FG1	1,8	117	89	49,2	13	100	48	28	19	49,2	
45	SUCPA209FG1	2,1	127	95,3	54	13	108	51	28	19	49,2	
50	SUCPA210FG1	2,5	140	101,6	57,2	13	117	51	29	19	51,6	

Housing	Bolt size	Max. tightening torque (Nm)	Bearing Insert	Protective cover		Z	Dz
				Open	Closed		
SPA204N	M8	15,0	SUC204FG1	SCO204-20	SCC204	45,6	54
SPA205N	M10	30,0	SUC205FG1	SCO205-25	SCC205	46,3	60
SPA206N	M10	30,0	SUC206FG1	SCO206-30	SCC206	51,8	70
SPA207N	M10	30,0	SUC207FG1	SCO207-35	SCC207	57,4	80
SPA208N	M12	53,0	SUC208FG1	SCO208-40	SCC208	67,8	88
SPA209N	M12	53,0	SUC209FG1	SCO209-45	SCC209	67,8	95
SPA210N	M16	132,5	SUC210FG1	SCO210-50	SCC210	74,6	100

Product drawings are shown with protective covers, but these are sold separately.

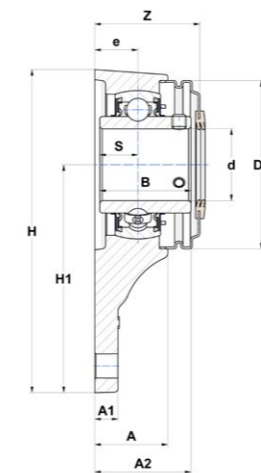
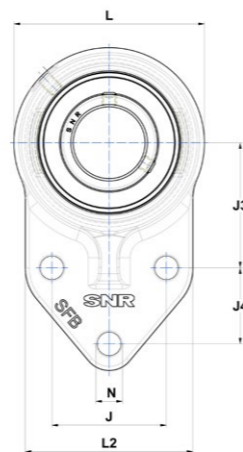
Stainless steel 2 bolt flange units
 SUFL2..FG1 "LUBSOLID" series



Shaft diameter d (mm)	Reference	Weight (kg)	Dimensions (mm)									
			H	L	J	A	A1	A2	e	N	S	B
20	SUCFL204FG1	0,4	112	58,5	90	25,5	12	33,3	15	12	12,7	31
25	SUCFL205FG1	0,6	125	68	99	27	13	35,8	16	13,5	14,3	34,1
30	SUCFL206FG1	0,8	141	80	117	31	13	40,2	18	13,5	15,9	38,1
35	SUCFL207FG1	1,1	156	90	130	33	15	44,4	19	16	17,5	42,9
40	SUCFL208FG1	1,4	172	100	144	36	15	51,2	21	16	19	49,2
45	SUCFL209FG1	1,7	180	108	148	38	15	52,2	22	17,5	19	49,2
50	SUCFL210FG1	1,9	190	115	157	39	16	54,6	22	17,5	19	51,6

Housing	Bolt size	Max. tightening torque (Nm)	Bearing Insert	Protective cover		Z	Dz
				Open	Closed		
SFL204N	M10	30,0	SUC204FG1	SCO204-20	SCC204	36,6	54
SFL205N	M14	53,0	SUC205FG1	SCO205-25	SCC205	38,9	60
SFL206N	M14	53,0	SUC206FG1	SCO206-30	SCC206	43,9	70
SFL207N	M14	53,0	SUC207FG1	SCO207-35	SCC207	47,7	80
SFL208N	M14	53,0	SUC208FG1	SCO208-40	SCC208	54,4	88
SFL209N	M16	132,5	SUC209FG1	SCO209-45	SCC209	55,9	95
SFL210N	M16	132,5	SUC210FG1	SCO210-50	SCC210	59,3	100

Stainless steel 3 bolt flange units
 SUCFB2..FG1 "LUBSOLID" series

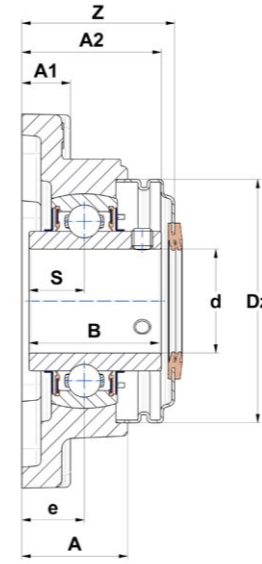
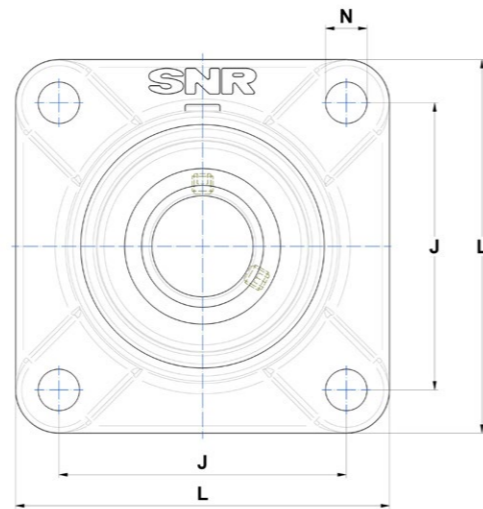


Shaft diameter d (mm)	Reference	Weight (kg)	Dimensions (mm)									
			H	H1	L	L2	J	J3	J4	A	A1	A2
20	SUCFB204FG1	0,5	106,4	76,2	60,5	60,2	38,1	42,9	22,4	25,5	7,9	33
25	SUCFB205FG1	0,6	119	85,5	67	63,5	41,4	46	28,7	27	9,7	36
30	SUCFB206FG1	0,9	135	95,3	79,5	70	47,8	52,3	31,8	30,5	9,7	40,2
35	SUCFB207FG1	1,4	152,2	107,2	90	83	50,8	60,5	31,8	33	12,7	44,4
40	SUCFB208FG1	1,7	164	114	100	78	50	60,3	41,3	36	12,7	51,2
50	SUCFB210FG1	2,3	186,5	131,8	109,5	101,5	69,9	74,7	41,4	39	12,7	54,6

e	N	S	B	Housing	Bolt size	Max. tightening torque (Nm)	Bearing Insert	Protective cover		Z	Dz
								Open	Closed		
15	10	12,7	31	SFB204N	M8	15,0	SUC204FG1	SCO204-20	SCC204	36,9	54
16	10	14,3	34,1	SFB205N	M8	15,0	SUC205FG1	SCO205-25	SCC205	39,1	60
18	10	15,9	38,1	SFB206N	M8	15,0	SUC206FG1	SCO206-30	SCC206	43,9	70
19	13,5	17,5	42,9	SFB207N	M10	30,0	SUC207FG1	SCO207-35	SCC207	47,7	80
21	13,5	19	49,2	SFB208N	M10	30,0	SUC208FG1	SCO208-40	SCC208	55,4	88
22	13,5	19	51,6	SFB210N	M10	30,0	SUC210FG1	SCO210-50	SCC210	59,8	100

Product drawings are shown with protective covers, but these are sold separately.

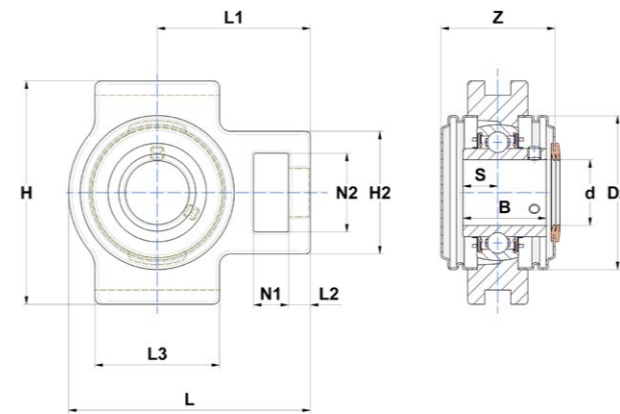
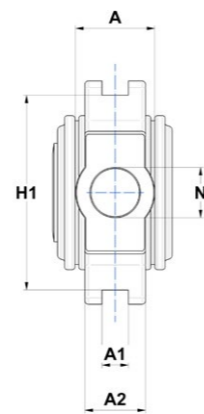
Stainless steel 4 bolt flange units
SUCF2..FG1 "LUBSOLID" series



Shaft diameter d (mm)	Reference	Weight (kg)	Dimensions (mm)								
			L	J	A	A1	A2	e	N	S	B
20	SUCF204FG1	0,6	86	64	25,5	12	33,3	15	12	12,7	31
25	SUCF205FG1	0,8	95	70	27	14	35,8	16	12	14,3	34,1
30	SUCF206FG1	1,1	108	83	30,5	14	40,2	18	12	15,9	38,1
35	SUCF207FG1	1,4	116	92	33,5	14,5	44,4	19	14	17,5	42,9
40	SUCF208FG1	1,9	130	102	36	14,5	51,2	21	16	19	49,2
45	SUCF209FG1	2,2	137	105	38	15,5	52,2	22	16	19	49,2
50	SUCF210FG1	2,5	143	111	40	15	54,6	22	16	19	51,6

Housing	Bolt size	Max. tightening torque (Nm)	Bearing Insert	Protective cover		Z	Dz
				Open	Closed		
SF204N	M10	30,0	SUC204FG1	SCO204-20	SCC204	36,6	54
SF205N	M10	30,0	SUC205FG1	SCO205-25	SCC205	39,2	60
SF206N	M10	30,0	SUC206FG1	SCO206-30	SCC206	44,2	70
SF207N	M12	53,0	SUC207FG1	SCO207-35	SCC207	47,5	80
SF208N	M14	85,0	SUC208FG1	SCO208-40	SCC208	54,7	88
SF209N	M14	85,0	SUC209FG1	SCO209-45	SCC209	56	95
SF210N	M14	85,0	SUC210FG1	SCO210-50	SCC210	59,1	100

Stainless steel take-up units
SUCT2..FG1 "LUBSOLID" series



Shaft diameter d (mm)	Reference	Weight (kg)	Dimensions (mm)										
			L	L1	L2	L3	A	A1	A2	H	H1	H2	N
20	SUCT204FG1	0,7	94	61	10	51	32	12	21	89	76	51	19
25	SUCT205FG1	0,9	95	60,5	8	51	32	12	24	89	76	51	19
30	SUCT206FG1	1,3	113	70	10	57	37	12	28	102	89	56	22
35	SUCT207FG1	1,7	129	78	13	64	37	12	30	102	89	64	22
40	SUCT208FG1	2,4	144	88	16	83	49	16	33	114	102	83	29
45	SUCT209FG1	2,5	144	87	16	83	49	16	35	117	102	83	29
50	SUCT210FG1	2,7	149	90	16	86	49	16	37	117	102	83	29

N1	N2	S	B	Housing	Bearing Insert	Protective cover		Z	Dz
						Open	Closed		
16	32	12,7	31	ST204N	SUC204FG1	SCO204-20	SCC204	44,6	54
16	32	14,3	34,1	ST205N	SUC205FG1	SCO205-25	SCC205	47,4	60
16	37	15,9	38,1	ST206N	SUC206FG1	SCO206-30	SCC206	52,4	70
16	37	17,5	42,9	ST207N	SUC207FG1	SCO207-35	SCC207	57,4	80
19	49	19	49,2	ST208N	SUC208FG1	SCO208-40	SCC208	66,8	88
19	49	19	49,2	ST209N	SUC209FG1	SCO209-45	SCC209	68,6	95
19	49	19	51,6	ST210N	SUC210FG1	SCO210-50	SCC210	75,2	100

Product drawings are shown with protective covers, but these are sold separately.

SNR thermoplastic bearing units

INSERT MUC

Standard food range

The SNR self-aligning thermoplastic bearing unit has a special design to prevent the retention of impurities.

Technical specifications

- Stainless steel grease nipple
- Food-grade grease**
 - NSF category H1 approved
 - Halal and Kosher approved
 - Complies with FDA (US food and drugs administration) regulations, section 21 CFR 178.3570
 - Operating temperature (°C):
 - -20°C to +100°C continuous
- Thermoplastic housing**
 - Polybutylene terephthalate (PBT), resistant to mildew and cleaning agents
 - FDA (US food and drugs administration) compliant
 - Recesses in rear of housing to locate anti-rotation pin
- 100% stainless steel bearings**
 - Rings
 - Rolling elements
 - Cage
 - Set screws
 - Slings
 - Anti-rotation pin
- Open and closed protective covers**
 - Polypropylene (PP)
 - Stainless steel seal spring in open cover
 - Nitrile (NBR) shaft seal in open cover
 - Complies with FDA (US food and drugs administration) regulations, section 177.1520
- Sleeve for fixing bolts**
 - Stainless steel



Benefits

Easy to clean

- Resistant to many chlorinated and corrosive cleaning solutions
- Resistant to bacterial growth
- Cavity-free bearing surface prevents material deposits
- Protective caps on the units provide additional protection against regular wash-downs
- Smooth surfaces to prevent contaminant retention

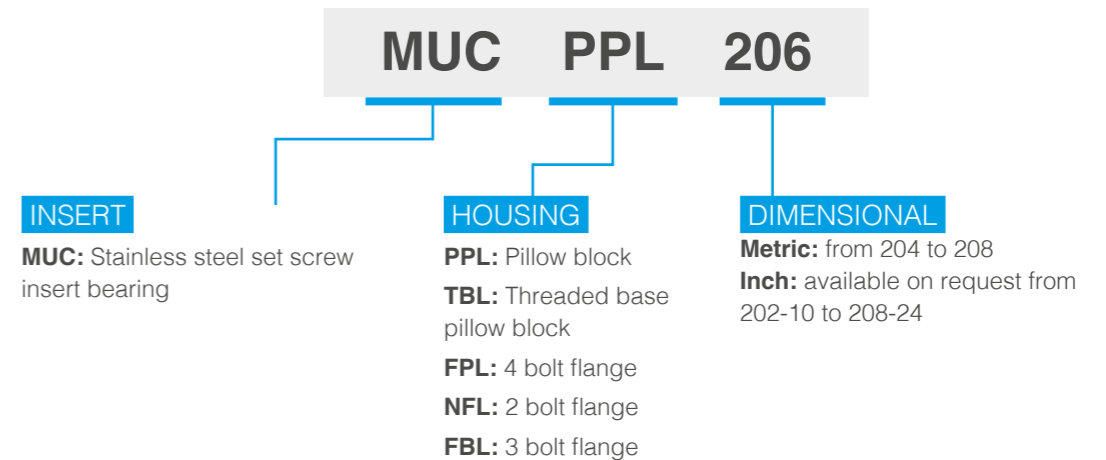
Durability

- Good resistance to friction and wear
- Fixing bolt holes reinforced with metal inserts

Designation



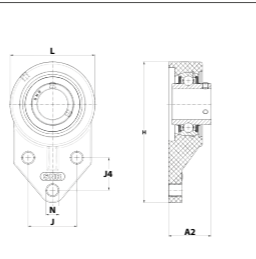
Protective covers must be ordered separately.
All housings are machined to accept protective covers.



Thermoplastic bearing units / MUC insert

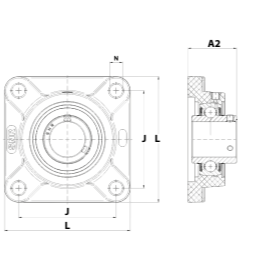
MUCFBL 3 bolt flange

Ref.	Shaft diameter (mm)	L	H	J	J4	A2	N	Weight (Kg)
MUCFBL204	20	63,5	108,0	38,1	22,2	33,7	10,7	0,25
MUCFBL205	25	70,0	120,6	41,3	28,6	41,6	10,7	0,30
MUCFBL206	30	83,0	138,5	47,6	31,8	41,5	10,7	0,46
MUCFBL207	35	95,0	157,0	50,8	31,8	47,1	13,1	0,66
MUCFBL208	40	99,0	158,5	50,8	31,8	51,7	13,1	0,85



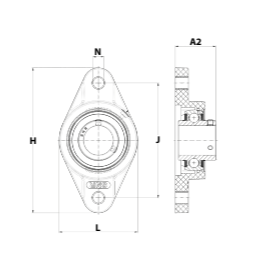
MUCFPL 4 bolt flange

Ref.	Shaft diameter (mm)	L	H2	J	A2	N	Weight (Kg)
MUCFPL204	20	86	-	63,5	36,3	11	0,29
MUCFPL205	25	95	-	70	36,8	11	0,36
MUCFPL206	30	107	-	83	41,4	11	0,50
MUCFPL207	35	118	-	92	46,9	13	0,74
MUCFPL208	40	130	-	102	53,2	14	0,97



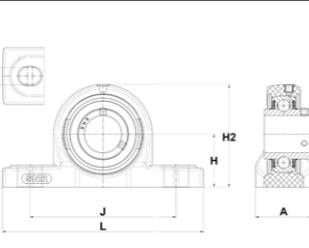
MUCNFL 2 bolt flange

Ref.	Shaft diameter (mm)	L	H	J	A2	N	Weight (Kg)
MUCNFL204	20	64,8	113	90	33,7	11	0,24
MUCNFL205	25	70,0	130	99	36,8	11	0,30
MUCNFL206	30	80,0	148	117	41,2	11	0,45
MUCNFL207	35	90,0	163	130	43,4	13	0,66
MUCNFL208	40	100,0	175	144	51,7	14	0,87



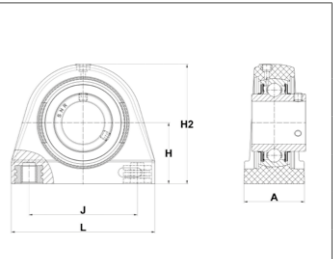
MUCPPL pillow blocks

Ref.	Shaft diameter (mm)	L	H	H2	J	A	N	Weight (Kg)
MUCPPL204	20	127	33,3	65	95	38	11	0,29
MUCPPL205	25	140	36,5	71	105	38	11	0,34
MUCPPL206	30	162	42,9	83	119	46	14	0,54
MUCPPL207	35	167	47,6	94	127	48	14	0,78
MUCPPL208	40	184	49,2	98	137	54	14	0,97




MUCTBL threaded base pillow block

Ref.	Shaft diameter (mm)	L	H	H2	J	A	Screw thread	Weight (kg)
MUCTBL204	20	72,8	33,3	66,0	50,8	34,5	M8	0,24
MUCTBL205	25	76,2	36,5	73,5	50,8	39,5	M10	0,31
MUCTBL206	30	101,0	42,9	84,0	76,2	42,5	M10	0,50
MUCTBL207	35	110,0	47,6	95,0	82,6	47,5	M10	0,73
MUCTBL208	40	120,0	49,2	110,5	88,9	48,0	M12	0,90



CV / CF protective covers

Ref.		Inner diameter (mm)	Outer diameter (mm)	Width (mm)	Weight (Kg)	
Open	Closed				Open	Closed
CV204	CF204	20	50,1	23	0,02	0,01
CV205	CF205	25	55,0	25	0,03	0,02
CV206	CF206	30	64,0	30	0,03	0,02
CV207	CF207	35	74,5	32	0,04	0,03
CV208	CF208	40	84,0	37	0,05	0,03



Also AVAILABLE in inch dimensions. Please consult our e-Shop for more information.



SNR stainless steel bearing units INSERTS SUC and SES

Standard food range

The stainless steel bearing unit, the ideal solution for protection against moisture.

Technical specifications

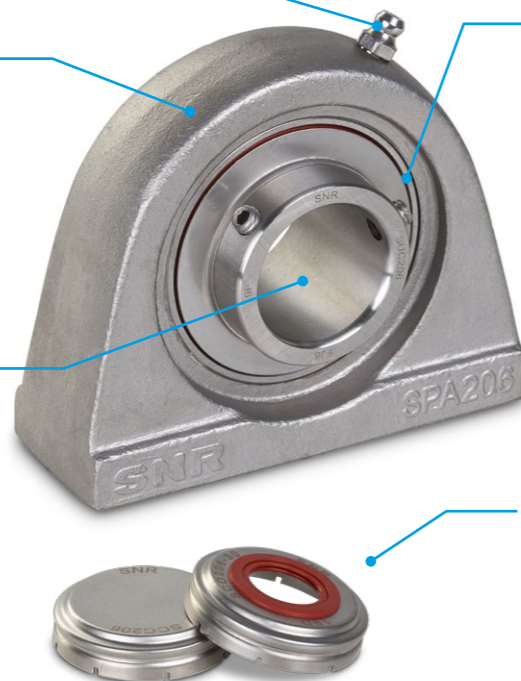
- Stainless steel grease nipple

Stainless steel housing

- FDA (US food and drugs administration) compliant
- Recesses in rear of housing to locate anti-rotation pin

100% stainless steel bearings

- Rings
- Rolling elements
- Cage
- Set screws
- Slings
- Anti-rotation pin



Food-grade grease

- NSF category H1-approved foodgrade grease
- Halal and Kosher approved
- Complies with FDA (US food and drugs administration) regulations, section 21 CFR 178.3570
- Operating temperature (°C):
 - 20°C to +100°C continuous

Protective covers open and closed

- Stainless steel
- Silicone shaft seal in open cover
- Complies with FDA (US food and drugs administration) regulations, section 177.1520



Benefits

Premium Series

- Optimal performance for protection against oxidation, mould, mildew and chemical cleaning agents
- High-quality stainless steel
- Re-lubricatable

Durability

- Excellent mounting stability and high impact resistance
- Cavity-free bearing surface prevents material deposits
- Designed to withstand aggressive cleaning and corrosive environments
- Open or closed stainless steel protective covers compatible with all stainless bearing units

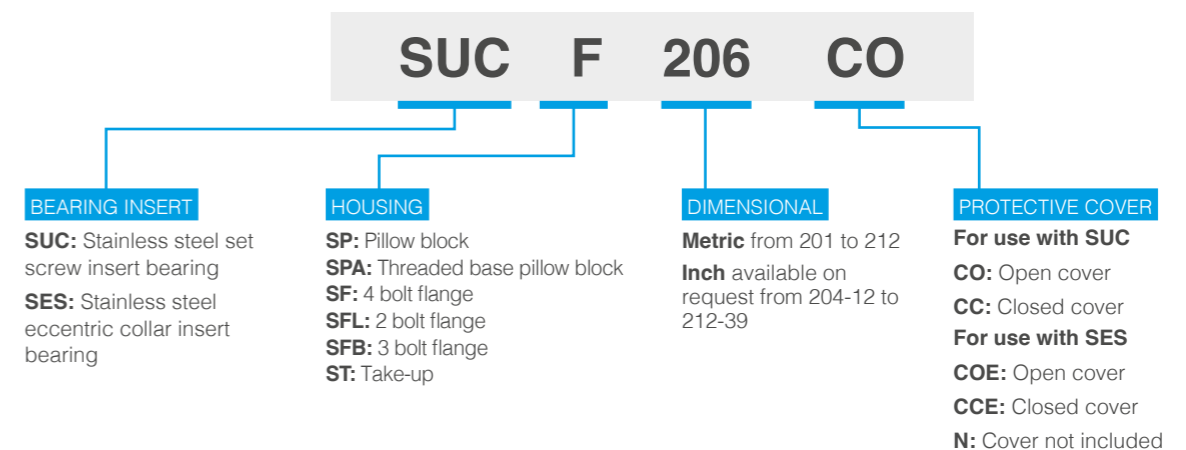
Less downtime, more profitability

- Covers provide additional protection during highpressure washdowns.

Designation



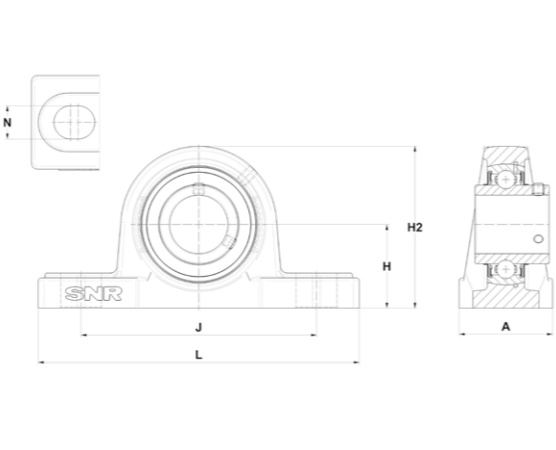
Protective covers must be ordered separately.
All housings are machined to accept protective covers.



Stainless steel bearing units / SUC insert

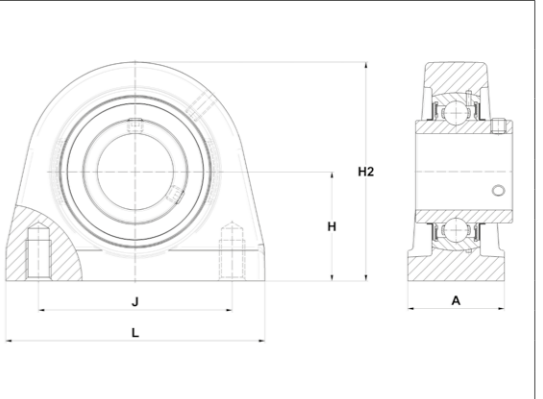
SUCP Pillow blocks

Ref.	Shaft diameter (mm)	Dimensions (mm)						Weight (Kg)
		L	H	H2	J	A	N	
SUCP201N	12	126	33,3	65	95	38	13	0,91
SUCP202N	15	126	33,3	65	95	38	13	0,89
SUCP203N	17	126	33,3	65	95	38	13	0,88
SUCP204N	20	126	33,3	65	95	38	13	0,86
SUCP205N	25	140	36,5	70	105	38	13	1,00
SUCP206N	30	165	42,9	83	121	48	17	1,62
SUCP207N	35	167	47,6	94	127	48	17	1,97
SUCP208N	40	184	49,2	100	136	54	17	2,33
SUCP209N	45	190	54,0	109	146	54	17	2,69
SUCP210N	50	206	57,2	114	159	60	20	3,27
SUCP211N	55	219	63,5	126	171	60	20	4,16
SUCP212N	60	241	69,8	138	184	70	20	5,67



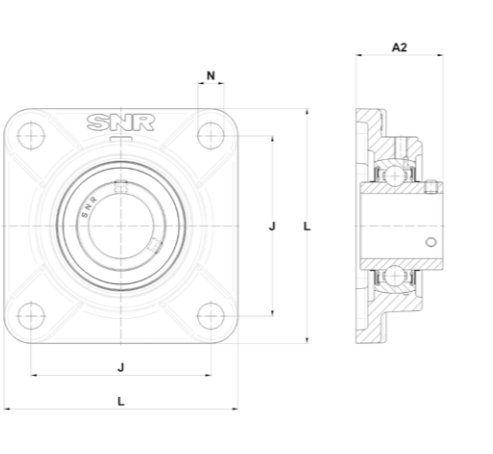
SUCPA threaded base pillow blocks

Ref.	Shaft diameter (mm)	Dimensions (mm)					Screw thread	Weight (Kg)
		L	H	H2	J	A		
SUCPA201N	12	73	33,3	65	50,8	38	M8	0,71
SUCPA202N	15	73	33,3	65	50,8	38	M8	0,69
SUCPA203N	17	73	33,3	65	50,8	38	M8	0,68
SUCPA204N	20	73	33,3	65	50,8	38	M8	0,66
SUCPA205N	25	76	36,5	71	50,8	38	M10	0,80
SUCPA206N	30	102	42,9	86	76,2	38	M10	1,32
SUCPA207N	35	108	47,6	95	82,6	48	M10	1,67
SUCPA208N	40	117	49,2	100	89,0	48	M12	1,93
SUCPA209N	45	127	54,0	108	95,3	51	M12	2,29
SUCPA210N	50	140	57,2	117	101,6	51	M16	2,77



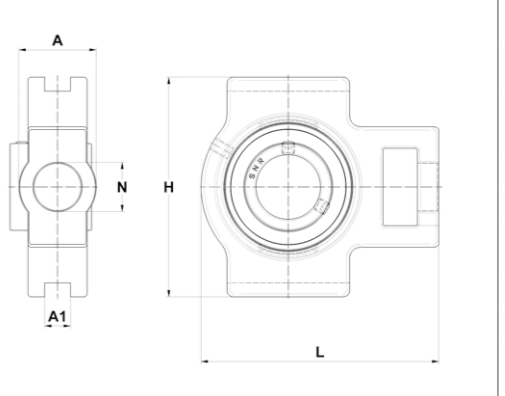
SUCF 4 bolt flange

Ref.	Shaft diameter (mm)	Dimensions (mm)					Weight (Kg)
		L	H2	J	A2	N	
SUCF201N	12	86	-	64	33,3	12	0,61
SUCF202N	15	86	-	64	33,3	12	0,59
SUCF203N	17	86	-	64	33,3	12	0,58
SUCF204N	20	86	-	64	33,3	12	0,56
SUCF205N	25	95	-	70	35,8	12	0,80
SUCF206N	30	108	-	83	40,2	12	1,12
SUCF207N	35	116	-	92	44,4	14	1,37
SUCF208N	40	130	-	102	51,2	16	1,83
SUCF209N	45	137	-	105	52,2	16	2,29
SUCF210N	50	143	-	111	54,6	16	2,57
SUCF211N	55	162	-	130	58,4	19	4,06
SUCF212N	60	175	-	143	68,7	19	5,47



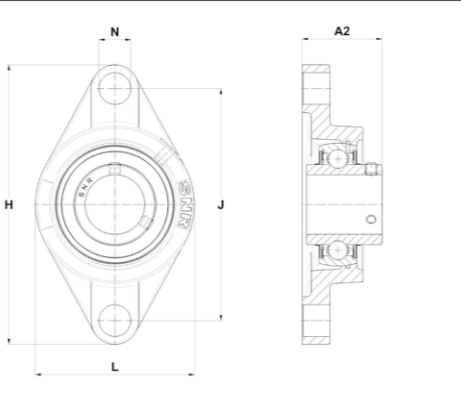
SUCT Take-up units

Ref.	Shaft diameter (mm)	Dimensions (mm)					Weight (Kg)
		L	H	A1	A	N	
SUCT201N	12	94	89	12	32	32	0,81
SUCT202N	15	94	89	12	32	32	0,79
SUCT203N	17	94	89	12	32	32	0,78
SUCT204N	20	94	89	12	32	32	0,76
SUCT205N	25	95	89	12	32	32	0,90
SUCT206N	30	113	102	12	37	37	1,32
SUCT207N	35	129	102	12	37	37	1,67
SUCT208N	40	144	114	16	49	49	2,53
SUCT209N	45	144	117	16	49	49	2,49
SUCT210N	50	149	117	16	49	49	2,67



SUCFL 2 bolt flange

Ref.	Shaft diameter (mm)	Dimensions (mm)					Weight (Kg)
		L	H	J	A2	N	
SUCFL201N	12	58,5	112	90	33,3	12,0	0,51
SUCFL202N	15	58,5	112	90	33,3	12,0	0,49
SUCFL203N	17	58,5	112	90	33,3	12,0	0,48
SUCFL204N	20	58,5	112	90	33,3	12,0	0,46
SUCFL205N	25	68,0	125	99	35,8	13,5	0,60
SUCFL206N	30	80,0	141	117	40,2	13,5	0,92
SUCFL207N	35	90,0	156	130	44,4	16,0	1,17
SUCFL208N	40	100,0	172	144	51,2	16,0	1,53
SUCFL209N	45	108,0	180	148	52,2	17,5	1,79
SUCFL210N	50	115,0	190	157	54,6	17,5	2,17



SCO / SCC protective covers

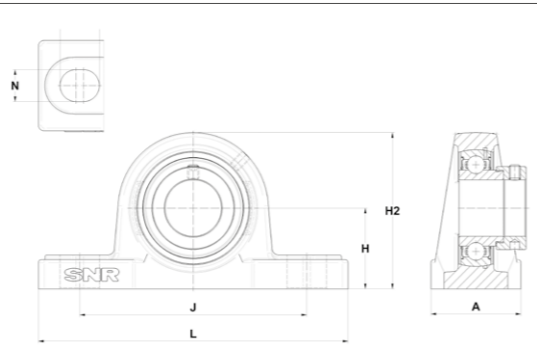
Ref.	Inner diameter (mm)	Outer diameter (mm)	Width (mm)	Weight (Kg)		
				Open	Closed	
SCO201-12	SCC203	12	46	14,3	0,02	0,02
SCO202-15	SCC203	15	46	14,3	0,02	0,02
SCO203-17	SCC203	17	46	14,3	0,02	0,02
SCO204-20	SCC204	20	54	14,3	0,03	0,03
SCO205-25	SCC205	25	60	15,4	0,03	0,04
SCO206-30	SCC206	30	70	16,9	0,04	0,05
SCO207-35	SCC207	35	80	18,7	0,05	0,06
SCO208-40	SCC208	40	88	22,9	0,07	0,08
SCO209-45	SCC209	45	95	22,9	0,07	0,09
SCO210-50	SCC210	50	100	25,8	0,10	0,12
SCO211-55	SCC211	55	110	25,1	0,11	0,14
SCO212-60	SCC212	60	120	30,4	0,14	0,18



Stainless steel bearing units / SES insert

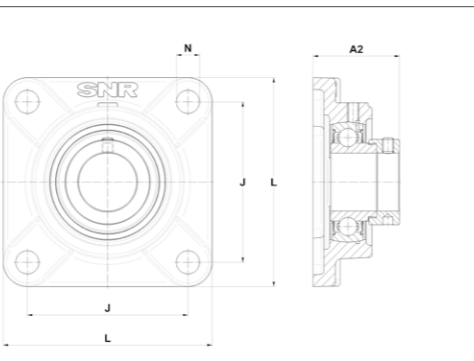
SESP Pillow blocks

Ref.	Shaft diameter (mm)	Dimensions (mm)						Weight (Kg)
		L	H	H2	J	A	N	
SESP204N	20	126	33,3	65	95	38	13	0,87
SESP205N	25	140	36,5	70	105	38	13	1,00
SESP206N	30	165	42,9	83	121	48	17	1,62
SESP207N	35	167	47,6	94	127	48	17	2,01
SESP208N	40	184	49,2	100	136	54	17	2,34
SESP209N	45	190	54,0	109	146	54	17	2,67
SESP210N	50	206	57,2	114	159	60	20	3,25
SESP211N	55	219	63,5	126	171	60	20	4,13
SESP212N	60	241	69,8	138	184	70	20	5,54



SESF 4 bolt flange

Ref.	Shaft diameter (mm)	Dimensions (mm)					Weight (Kg)
		L	H2	J	A2	N	
SESF204N	20	86	-	64	39,0	12	0,57
SESF205N	25	95	-	70	39,5	12	0,80
SESF206N	30	108	-	83	45,7	12	1,12
SESF207N	35	116	-	92	49,4	14	1,41
SESF208N	40	130	-	102	55,7	16	1,84
SESF209N	45	137	-	105	56,2	16	2,27
SESF210N	50	143	-	111	55,7	16	2,55
SESF211N	55	162	-	130	62,9	19	4,03
SESF212N	60	175	-	143	71,1	19	5,34



SESFL 2 bolt flange

Ref.	Shaft diameter (mm)	Dimensions (mm)					Weight (Kg)
		L	H	J	A2	N	
SESFL204N	20	58,5	112	90	39,0	12,0	0,47
SESFL205N	25	68,0	125	99	39,5	13,5	0,60
SESFL206N	30	80,0	141	117	45,7	13,5	0,92
SESFL207N	35	90,0	156	130	49,4	16,0	1,21
SESFL208N	40	100,0	172	144	55,7	16,0	1,54
SESFL209N	45	108,0	180	148	56,2	17,5	1,77
SESFL210N	50	115,0	190	157	55,7	17,5	2,15



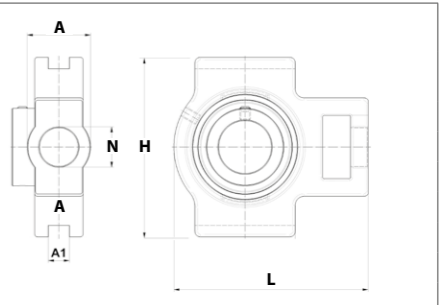
SESPA Threaded base pillow block

Ref.	Shaft diameter (mm)	Dimensions (mm)					Screw thread	Weight (Kg)
		L	H	H2	J	A		
SESPA204N	20	73	33,3	65	50,8	38	M8	0,67
SESPA205N	25	76	36,5	71	50,8	38	M10	0,80
SESPA206N	30	102	42,9	86	76,2	38	M10	1,32
SESPA207N	35	108	47,6	95	82,6	48	M10	1,71
SESPA208N	40	117	49,2	100	89,0	48	M12	1,94
SESPA209N	45	127	54,0	108	95,3	51	M12	2,27
SESPA210N	50	140	57,2	117	101,6	51	M16	2,75




SEST Take-up units

Ref.	Shaft diameter (mm)	Dimensions (mm)					Weight (Kg)
		L	H	A1	A	N	
SEST204N	20	94	89	12	32	32	0,77
SEST205N	25	95	89	12	32	32	0,90
SEST206N	30	113	102	12	37	37	1,32
SEST207N	35	129	102	12	37	37	1,71
SEST208N	40	144	114	16	49	49	2,54
SEST209N	45	144	117	16	49	49	2,47
SEST210N	50	149	117	16	49	49	2,65



SCOE / SCCE protective covers

Ref.		Inner diameter (mm)	Outer diameter (mm)	Width (mm)	Weight (Kg)	
Open	Closed				Open	Closed
SCOE203-17	SCCE203	17	46	21,0	0,03	0,03
SCOE204-20	SCCE204	20	54	23,5	0,04	0,04
SCOE205-25	SCCE205	25	60	24,0	0,04	0,05
SCOE206-30	SCCE206	30	70	26,0	0,05	0,06
SCOE207-35	SCCE207	35	80	28,0	0,06	0,07
SCOE208-40	SCCE208	40	88	29,0	0,07	0,09
SCOE209-45	SCCE209	45	95	30,0	0,08	0,10
SCOE210-50	SCCE210	50	100	33,5	0,11	0,14
SCOE211-55	SCCE211	55	110	38,5	0,14	0,17
SCOE212-60	SCCE212	60	120	41,0	0,16	0,20




Bearing units selection guide

		 Units with SENTINEL LUBSOLID "Full Pack"		Units with standard food-grade grease	
Expectations		Thermoplastic	Stainless steel	Thermoplastic	Stainless steel
Constraints	Health & Safety	***	***	**	**
	Resistance to water/contaminant penetration	***	***	**	**
	Rotation speed	**	**	***	***
	Load capacity	***	***	***	***
	Low Temp < -10°C	-	-	*	*
	High Temp > 100°C	-	-	-	-
Objectives	Eco-responsibility	***	***	*	*
	Productivity/Profitability	***	***	*	*

*** Excellent
 ** Very good
 * Good
 - Not suitable



LINEAR PRODUCT RANGE

Linear Guides

Designed for demanding environments

NTN Europe has been successfully offering linear guiding systems since 1985. These products, designed and assembled in our Linear Motion Center in Germany, constitute one of the most comprehensive and attractive ranges on the market.

AXF100 Linear Axis

page 72

Additional Linear Axis

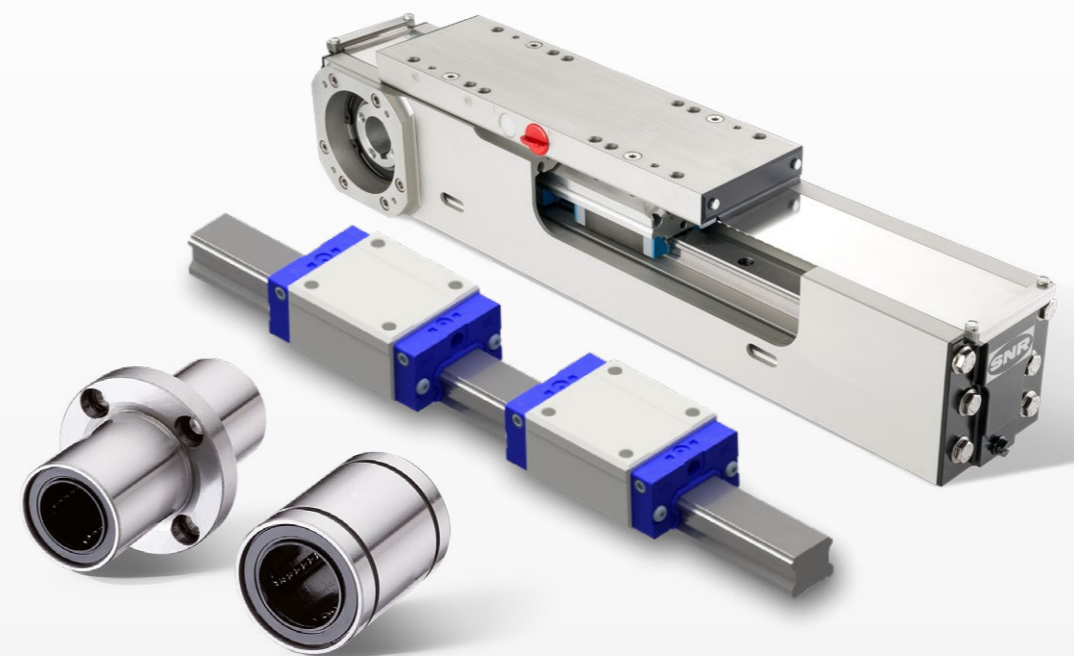
page 76

LGB Linear Guides

page 77

BBE Linear Ball Bushings

page 80



Benefits

- Optimal products for all types of application
- Single components and complete units
- Highly flexible
- High quality standards for all products
- Wide range of options to adapt products to customer needs

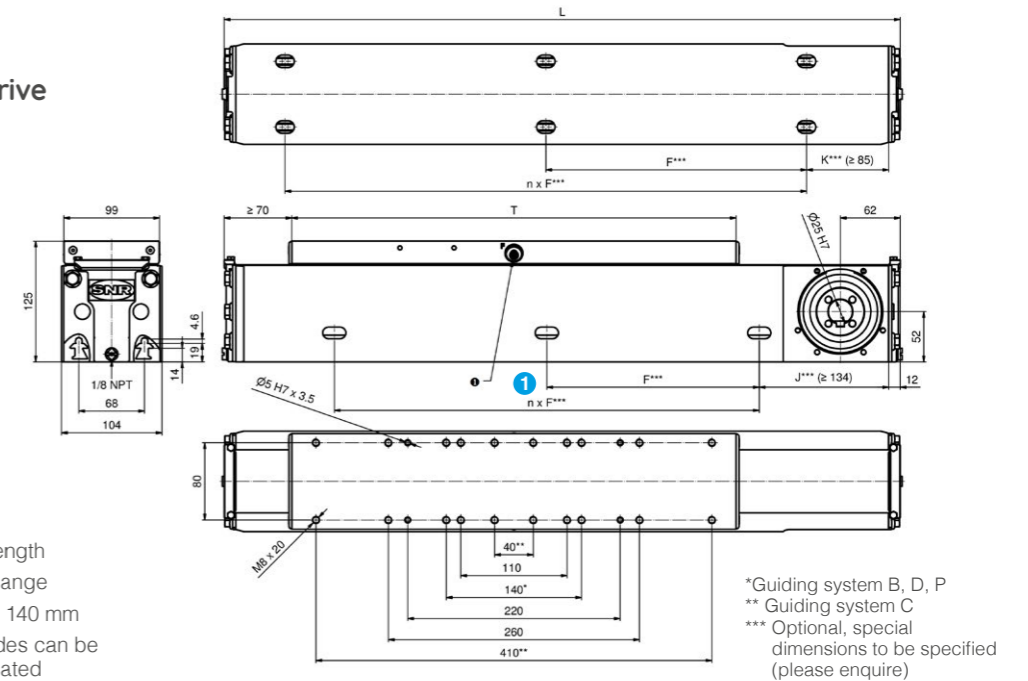
AXF100 LINEAR AXIS

Standard range / Size 100



- Available with toothed belt, ball screw and sliding screw drive
- Smooth profiled surface to prevent particle build-up
- One of the best seals on the market (dust, water and corrosion resistant)
- High compactness and rigidity
- Complete custom configuration
- Linear Axis specifically optimized for applications in the food, pharmaceutical and semiconductor industries

AXF100Z Linear Axis Toothed belt drive



Technical data

Type	Unit	Linear Guide B	Linear Guide C	Linear Guide D	Polymer Track Roller Guide P
Table length	mm	320	460	320	
Drive type		Toothed belt 40STD8			
Maximum velocity	m/min	300			420
Allowable dynamic operation load Fx	N	1 800			
Strokes per revolution	mm	264 ^{+0.5}			
Idling speed torque	Nm	3,1			
Maximum drive torque	Nm	75,7			
Moment of inertia ²	Kg/cm ²	14,3			
Geometrical moment of inertia (profile) I _y	cm ⁴	381,3			
Geometrical moment of inertia (profile) I _z	cm ⁴	514,0			
Max. total length ¹	m	6,0			
Repeatability	mm	0,05			

¹ - Greater lengths available on request
² - Moment of inertia without transmission

Static load capacities

Type	Guiding system	Load [N]		Load moment [Nm]		
		F _y	F _z	M _x	M _y	M _z
AXF100Z	B	16 500	16 500	175	900	560
	C	16 500	16 500	175	2 100	1 260
	D	23 750	23 750	680	1 100	1 100
	P	180	360	13,5	19,5	10,0

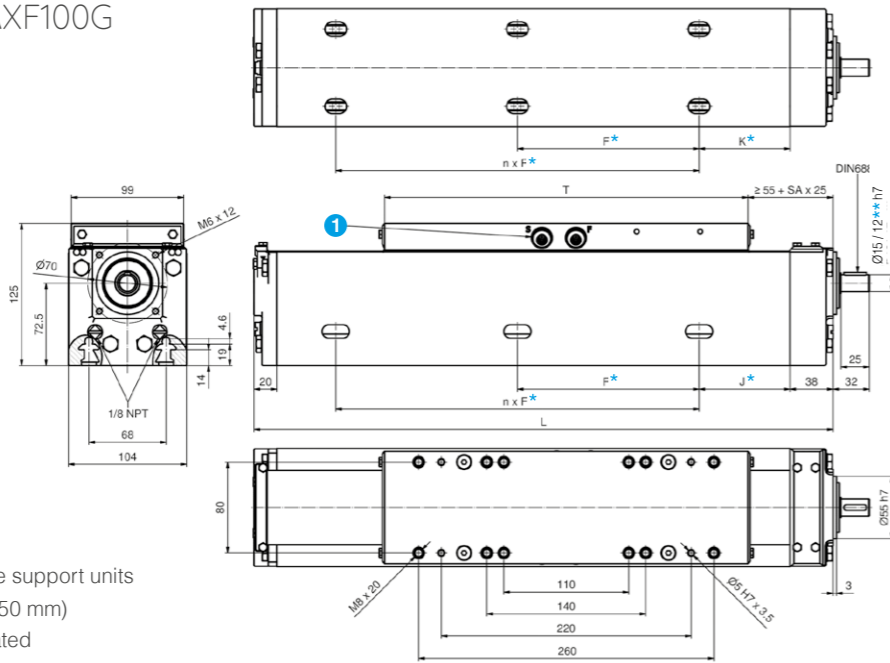
Dynamic load capacities

The dynamic load capacities of the guide systems are given for a nominal service life of 50,000 km for types B, C and D, and 10,000 km for type P.

Type	Guiding system	Load [N]		Load moment [Nm]		
		F _y	F _z	M _x	M _y	M _z
AXF100Z	B	5 000	5 000	52	275	275
	C	5 000	5 000	52	630	630
	D	7 000	7 000	200	325	325
	P	120	240	9,0	13,0	6,5

For a customised design that perfectly matches your needs, please refer to our Linear Axis catalogue and contact your sales representative.

AXF100S/AXF100T/AXF100G
Screw drive



T = Table length
S = Travel range
n x SA = Number of screw drive support units
L = T + S + 80 mm (+ n x SA x 50 mm)
1 Both sides can be relubricated

*Option: special dimensions to be specified (please enquire)
**For drive element G and T

Technical data AXF100S

Type	Unit	SN2505	SN2510	SN2525	SN2550
Guide system		Linear Guide D			
Table length T	mm	320			
Drive type		Ball screw			
Screw diameter	mm	25			
Pitching/Pitch direction	mm	5 / right	10 / right	25 / right	50 / right
Maximum velocity	m/min	24	48	120	150
Pitch accuracy	µm/300 mm	52			
Dynamic load rating of the drive component	N	19 800	16 100	12 100	15 400
Idling speed torque	Nm	0,3...2,0			
Maximum axial operating load	Nm	5,2	10,0	27,0	50,0
Maximum drive torque	N	6 000			
Moment of inertia	Kg cm ² /m	2,62	2,82	2,62	2,25
Geometrical moment of inertia (profile) I _y	cm ⁴	338,7			
Geometrical moment of inertia (profile) I _z	cm ⁴	411,8			
Max. overall length	m	5,8		6,0	
Repeatability	mm	0,03			
Efficiency		0,93		0,98	

Technical data AXF100T and AXF100G

Type	Unit	T2405	GN2030	GN2060	GN2090
Guide system		linear guide D	Polymer cam track P		
Table length T	mm	320			
Drive type		Trapezoidal screw	Sliding screw		
Screw diameter	mm	24	20		
Pitch direction	mm	5 / right	30 / right	60 / right	90 / right
Maximum velocity	m /min	8,9	41	120	180
Pitch accuracy	µm/300mm	50	100		
Dynamic load rating of the drive component	Nm	0,3...2,0			
Idling speed torque	Nm	4,3	5,7	13,0	19,0
Maximum axial operating load	N	5 200	2 400	1 600	1 600
Maximum drive torque	Nm/min	2 000	6 900	13 900	20 900
Moment of inertia	Kgcm ² /m	1,5	0,35		
Geometrical moment of inertia (profile) I _y	cm ⁴	338,7			
Geometrical moment of inertia (profile) I _z	cm ⁴	411,8			
Max. total length	m	6,0	3,0		
Repeatability	mm	0,03			
Efficiency		0,41	0,73	0,81	0,79

Static load capacities

Type	Guiding system	Load [N]		Load moment [Nm]		
		F _y	F _z	M _x	M _y	M _z
AXF100S AXF100T AXF100G	D	15 900	15 900	450,0	1 600,0	1 600,0
	P	180	360	13,5	19,5	10,0

Dynamic load capacities

The dynamic load capacities of the Guiding system is given for a nominal service life of 25,000 km for type D, and 10,000 km for type P.

Type	Guiding system	Load [N]		Load moment [Nm]		
		F _y	F _z	M _x	M _y	M _z
AXF100S AXF100T AXF100G	D	5 850	5 850	170	600	600
	P	120	240	9,0	13,0	6,5

For a customised design that perfectly matches your needs, please refer to our catalogue of linear modules and contact your sales representative.



Additional Linear Axis

AXC compacts Axis



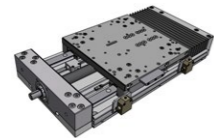
- Sizes 40 to 120 mm
- Various guide and drive systems
- Compact design

AXDL parallel Axis



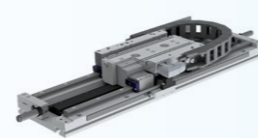
- Sizes 110 to 240 mm
- Various guide and drive systems
- High rigidity due to 2 parallel guide systems

AXLT linear tables



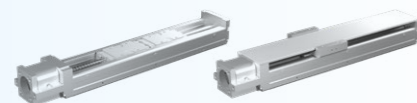
- Sizes 155 to 455 mm
- Various drive systems
- High rigidity due to 2 parallel linear guides

AXLM linear motor Axis



- Sizes 155 to 325 mm
- High dynamic load capacity

AXBG precision Axis



- Sizes 155 to 455 mm
- Very compact design
- High precision

AXE standard Axis



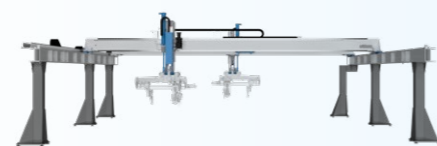
- Sizes 40 to 160 mm
- Standard lengths
- Standard accessories

AXS heavy load Axis



- Sizes 120 to 500 mm
- Different drive systems
- Gantry, lifting, beam and telescopic axis
- Load capacity up to several tonnes

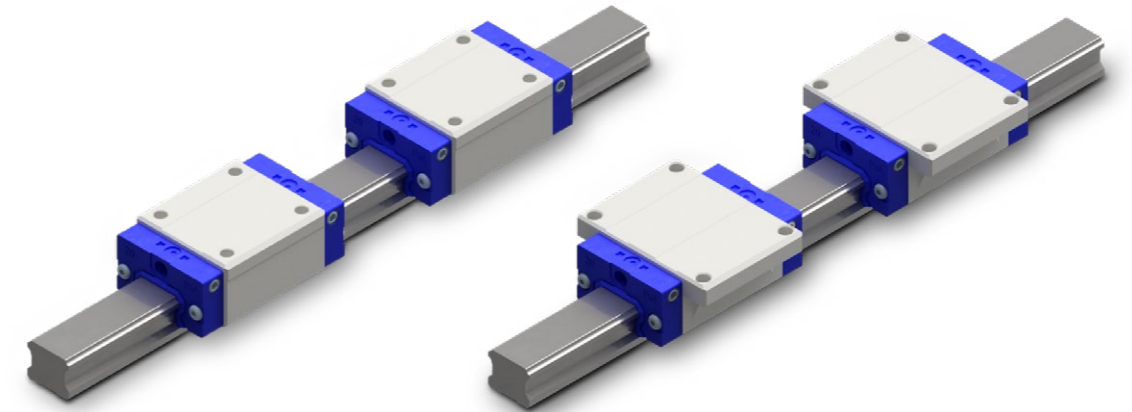
Complete Axis system



- Standard connecting elements
- Complete customised configuration
- Equipped with gearboxes, limit switches and energy chains...

LGB Linear Guides

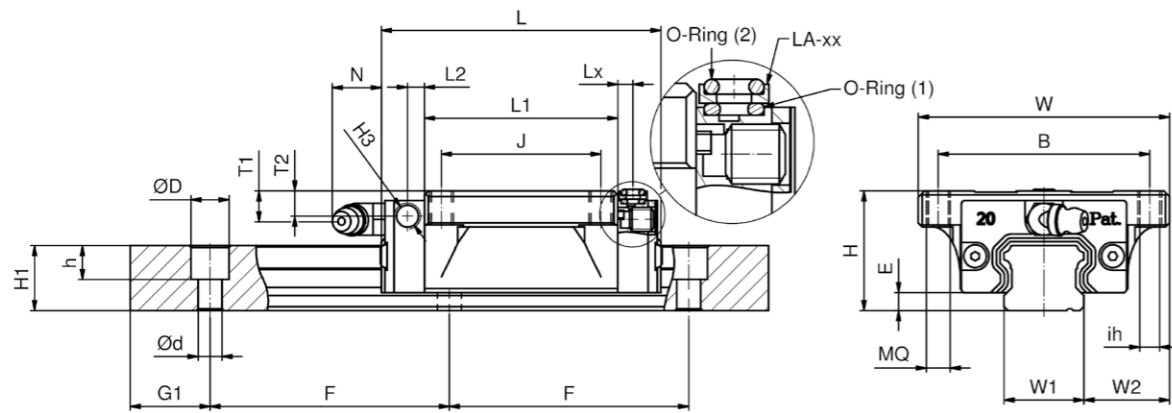
Standard range / Sizes 15 to 55



- Raceways positioned at a 45° angle, resulting in equal load ratings in all main directions
- Low system friction with a maximum coefficient of friction, μ , of 0.003 thanks to circular grooves
- High tolerance and error compensation capability due to DF raceway configuration
- All seals in double-lip version for optimal protection of the carriage against liquid and solid foreign particles
- Low-noise level, long-term maintenance-free ball chain carriages with long service life
- Available with chrome plating

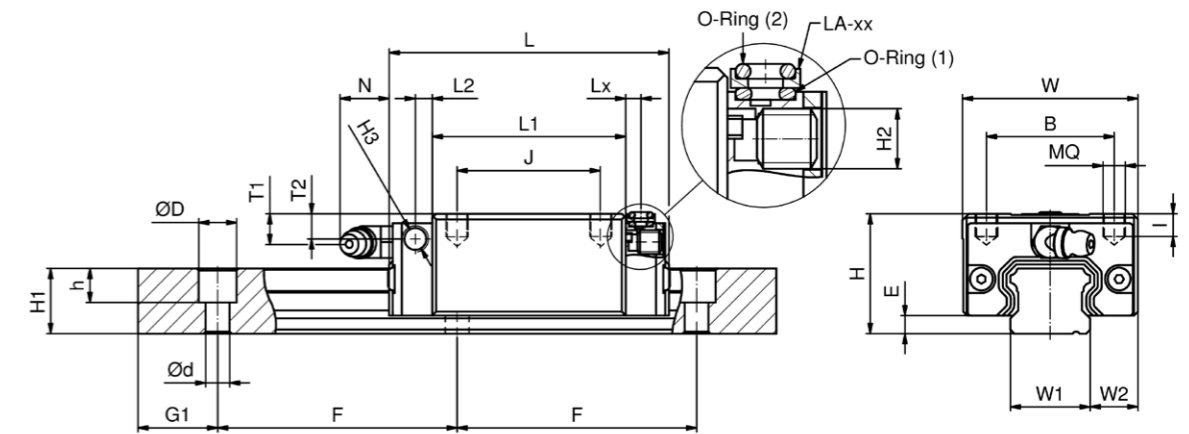


Flange type carriages



Type	H	W	W2	E	L	B	J	W1	H1	F
LGB_S15FS	24	52	18,5	3,3	40,6	41		15	13,0	60
LGB_H15FN	24	47	16,0	3,4	58,6	38	30	15	13,0	60
LGB_S15FN	24	52	18,5	3,3	58,6	41	26	15	13,0	60
LGB_H15FL	24	47	16,0	3,4	66,1	38	30	15	13,0	60
LGB_S20FS	28	59	19,5	4,5	49,1	49		20	16,3	60
LGB_H20FN	30	63	21,5	4,5	69,3	53	40	20	16,3	60
LGB_S20FN	28	59	19,5	4,5	70,1	49	32	20	16,3	60
LGB_H20FL	30	63	21,5	4,5	82,1	53	40	20	16,3	60
LGB_H20FE	30	63	21,5	4,5	97,3	53	40	20	16,3	60
LGB_S25FS	33	73	25,0	5,8	54,5	60		23	19,2	60
LGB_H25FN	36	70	23,5	5,8	79,7	57	45	23	19,2	60
LGB_S25FN	33	73	25,0	5,8	79,7	60	35	23	19,2	60
LGB_H25FL	36	70	23,5	5,8	94,4	57	45	23	19,2	60
LGB_H25FE	36	70	23,5	5,8	109,1	57	45	23	19,2	60
LGB_H30FS	42	90	31,0	7,0	64,2	72		28	22,8	80
LGB_H30FN	42	90	31,0	7,0	94,8	72	52	28	22,8	80
LGB_H30FL	42	90	31,0	7,0	105,0	72	52	28	22,8	80
LGB_H30FE	42	90	31,0	7,0	130,5	72	52	28	22,8	80
LGB_H35FS	48	100	33,0	7,5	75,5	82		34	26,0	80
LGB_H35FN	48	100	33,0	7,5	111,5	82	62	34	26,0	80
LGB_H35FL	48	100	33,0	7,5	123,5	82	62	34	26,0	80
LGB_H35FE	48	100	33,0	7,5	153,5	82	62	34	26,0	80
LGB_H45FN	60	120	37,5	8,9	129,0	100	80	45	31,1	105
LGB_H45FE	60	120	37,5	8,9	174,0	100	80	45	31,1	105
LGB_H55FN	70	140	43,5	12,7	155,0	116	95	53	38,0	120
LGB_H55FL	70	140	43,5	12,7	193,0	116	95	53	38,0	120
LGB_H55FE	70	140	43,5	12,7	210,0	116	95	53	38,0	120

Block type carriages



Type	H	W	W2	E	L	B	J	W1	H1	F
LGB_S15BS	24	34	9,5	3,4	40,6	26		15	13,0	60
LGB_H15BN	28	34	9,5	3,4	58,6	26	26	15	13,0	60
LGB_S15BN	24	34	9,5	3,4	58,6	26	26	15	13,0	60
LGB_S15BL	24	34	9,5	3,4	66,1	26	26	15	13,0	60
LGB_S20BS	28	42	11,0	4,5	48,3	32		20	16,3	60
LGB_H20BN	30	44	12,0	4,5	70,1	32	36	20	16,3	60
LGB_S20BN	28	42	11,0	4,5	69,3	32	32	20	16,3	60
LGB_H20BL	30	44	12,0	4,5	82,9	32	36	20	16,3	60
LGB_H20BE	30	44	12,0	4,5	98,1	32	50	20	16,3	60
LGB_S25BS	33	48	12,5	5,8	54,5	35		23	19,2	60
LGB_H25BN	40	48	12,5	5,8	79,7	35	35	23	19,2	60
LGB_S25BN	33	48	12,5	5,8	79,7	35	35	23	19,2	60
LGB_X25BN	36	48	12,5	5,8	79,7	35	35	23	19,2	60
LGB_H25BL	40	48	12,5	5,8	94,4	35	35	23	19,2	60
LGB_H25BE	40	48	12,5	5,8	109,1	35	50	23	19,2	60
LGB_X25BL	36	48	12,5	5,8	94,4	35	35	23	19,2	60
LGB_X25BE	36	48	12,5	5,8	109,1	35	50	23	19,2	60
LGB_S30BS	42	60	16,0	7,0	64,2	40		28	22,8	80
LGB_H30BN	45	60	16,0	7,0	94,8	40	40	28	22,8	80
LGB_S30BN	42	60	16,0	7,0	94,8	40	40	28	22,8	80
LGB_H30BL	45	60	16,0	7,0	105,0	40	40	28	22,8	80
LGB_S30BL	42	60	16,0	7,0	105,0	40	40	28	22,8	80
LGB_H30BE	45	60	16,0	7,0	130,5	40	60	28	22,8	80
LGB_S30BE	42	60	16,0	7,0	130,5	40	60	28	22,8	80
LGB_S35BS	48	70	18,0	7,5	75,5	50		34	26,0	80
LGB_H35BN	55	70	18,0	7,5	111,5	50	50	34	26,0	80
LGB_S35BN	48	70	18,0	7,5	111,5	50	50	34	26,0	80
LGB_H35BL	55	70	18,0	7,5	123,5	50	50	34	26,0	80
LGB_S35BL	48	70	18,0	7,5	123,5	50	50	34	26,0	80
LGB_H35BE	55	70	18,0	7,5	153,5	50	72	34	26,0	80
LGB_S35BE	48	70	18,0	7,5	153,5	50	72	34	26,0	80
LGB_H45BN	70	86	20,5	8,9	129,0	60	60	45	31,1	105
LGB_S45BN	60	86	20,5	8,9	129,0	60	60	45	31,1	105
LGB_H45BL	70	86	20,5	8,9	145,0	60	60	45	31,1	105
LGB_S45BL	60	86	20,5	8,9	145,0	60	60	45	31,1	105
LGB_H45BE	70	86	20,5	8,9	174,0	60	80	45	31,1	105
LGB_S45BE	60	86	20,5	8,9	174,0	60	80	45	31,1	105
LGB_H55BN	80	100	23,5	12,7	155,0	75	75	53	38,0	120
LGB_S55BN	70	100	23,5	12,7	155,0	75	75	53	38,0	120
LGB_H55BL	80	100	23,5	12,7	193,0	75	75	53	38,0	120
LGB_S55BL	70	100	23,5	12,7	193,0	75	75	53	38,0	120
LGB_H55BE	80	100	23,5	12,7	210,0	75	95	53	38,0	120
LGB_S55BE	70	100	23,5	12,7	210,0	75	95	53	38,0	120

BBE Linear Ball Bushings

BBES Standard Ball Bushings , stainless steel

Diameter 3 to 60 mm



BBERS Flange type Ball Bushings, stainless steel

Diameter 8 to 60 mm



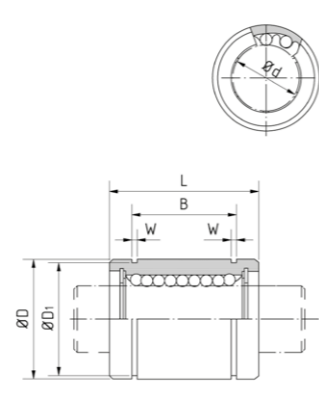
- $v_{max} = 1,5 \text{ m/s}$
- Damp or wet environment
- Suitable for vacuum applications
- High-temperature versions available



BBES Standard Ball Bushings, stainless steel

Single version, closed

Plastic cage	Stainless steel cage	Ød	ØD	L	B	W	ØD1	Number of ball circuits
BBES3	BBES3A	3	7	10	-	-	-	4
BBES4	BBES4A	4	8	12	-	-	-	4
BBES5	BBES5A	5	12	22	14,5	1,10	11,5	4
BBES8	BBES8A	8	16	25	16,5	1,10	15,2	4
BBES10	BBES10A	10	19	29	22,0	1,30	18,0	4
BBES12	BBES12A	12	22	32	22,9	1,30	21,0	4
BBES16	BBES16A	16	26	36	24,9	1,30	24,9	4
BBES20	BBES20A	20	32	45	31,5	1,60	30,3	5
BBES25	BBES25A	25	40	58	44,1	1,85	37,5	6
BBES30	BBES30A	30	47	68	52,1	1,85	44,5	6
BBES40	BBES40A	40	62	80	60,6	2,15	59,0	6
BBES50	BBES50A	50	75	100	77,6	2,65	72,0	6
BBES60	BBES60A	60	90	125	101,7	3,15	86,5	6

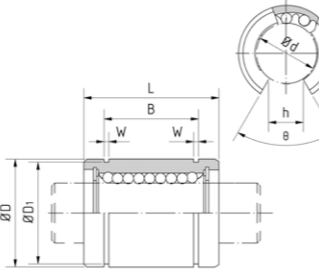


Also available in JIS version.

Please refer to our "Ball bushings" catalogue to find out more about our complete range

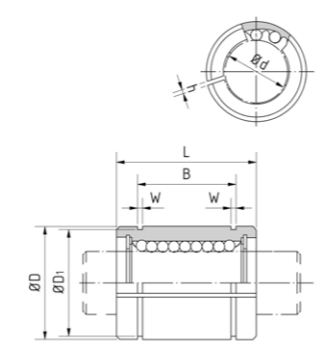
Single version, open

Plastic cage	Stainless steel cage	Ød	ØD	L	B	W	ØD1	h	Number of ball circuits
BBES12-OP	BBES12A-OP	12	22	32	22,9	1,30	21,0	7,5	3
BBES16-OP	BBES16A-OP	16	26	36	24,9	1,30	24,9	10,0	3
BBES20-OP	BBES20A-OP	20	32	45	31,5	1,60	30,3	10,0	4
BBES25-OP	BBES25A-OP	25	40	58	44,1	1,85	37,5	12,5	5
BBES30-OP	BBES30A-OP	30	47	68	52,1	1,85	44,5	12,5	5
BBES40-OP	BBES40A-OP	40	62	80	60,6	2,15	59,0	16,8	5
BBES50-OP	BBES50A-OP	50	75	100	77,6	2,65	72,0	21,0	5
BBES60-OP	BBES60A-OP	60	90	125	101,7	3,15	86,5	27,2	5



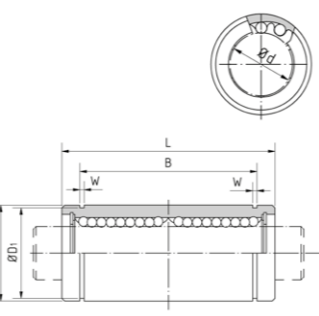
Single version, adjustable

Plastic cage	Stainless steel cage	Ød	ØD	L	B	W	ØD1	h	Number of ball circuits
BBES5-AJ	X	5	12	22	14,5	1,10	11,5	1,0	4
BBES8-AJ	X	8	16	25	16,5	1,10	15,2	1,0	4
BBES10-AJ	X	10	19	29	22,0	1,30	18,0	1,0	4
BBES12A-AJ	BBES12A-AJ	12	22	32	22,9	1,30	21,0	1,5	4
BBES16A-AJ	BBES16A-AJ	16	26	36	24,9	1,30	24,9	1,5	4
BBES20A-AJ	BBES20A-AJ	20	32	45	31,5	1,60	30,0	2,0	5
BBES25A-AJ	BBES25A-AJ	25	40	58	44,1	1,85	37,5	2,0	6
BBES30A-AJ	BBES30A-AJ	30	47	68	52,1	1,85	44,5	2,0	6
BBES40A-AJ	BBES40A-AJ	40	62	80	60,6	2,15	59,0	2,0	6
BBES50A-AJ	BBES50A-AJ	50	75	100	77,6	2,65	72,0	2,0	6
BBES60A-AJ	BBES60A-AJ	60	90	125	101,7	3,15	86,5	2,0	6



Tandem version, closed

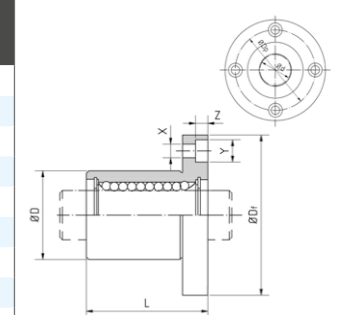
Plastic cage	Stainless steel cage	Ød	ØD	L	B	W	ØD1	Number of ball circuits
BBES8L	BBES8LA	8	16	46	33,0	1,10	15,2	4
BBES12L	BBES12LA	12	22	61	45,8	1,30	21,0	4
BBES16L	BBES16LA	16	26	68	49,8	1,30	24,9	4
BBES20L	BBES20LA	20	32	80	61,0	1,60	30,3	5
BBES25L	BBES25LA	25	40	112	82,0	1,85	37,5	6
BBES30L	BBES30LA	30	47	123	104,2	1,85	44,5	6
BBES40L	BBES40LA	40	62	151	121,2	2,15	59,0	6
BBES50L	BBES50LA	50	75	192	155,2	2,65	72,0	6
BBES60L	BBES60LA	60	90	209	170,0	3,15	86,5	6



BBERS Flange type Ball Bushings, stainless steel

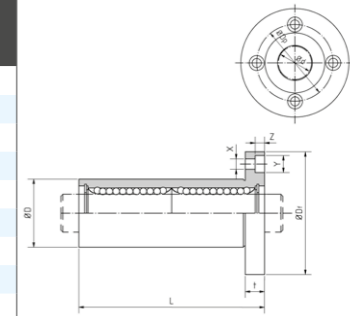
Single Flange version

Plastic cage	Stainless steel cage	Ød	ØD	L	ØDf	X	Y	Z	Number of ball circuits
BBERS8	BBERS8A	8	16	25	24	3,5	6,0	3,1	4
BBERS12	BBERS12A	12	22	32	32	4,5	7,5	4,1	4
BBERS16	BBERS16A	16	26	36	36	4,5	7,5	4,1	4
BBERS20	BBERS20A	20	32	45	43	5,5	9,0	5,1	5
BBERS25	BBERS25A	25	40	58	51	5,5	9,0	5,1	6
BBERS30	BBERS30A	30	47	68	62	6,6	11,0	6,1	6
BBERS40	BBERS40A	40	62	80	80	9,0	14,0	8,1	6
BBERS50	BBERS50A	50	75	100	94	9,0	14,0	8,1	6
BBERS60	BBERS60A	60	90	125	112	11,0	17,0	11,1	6



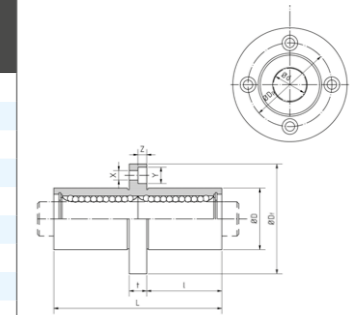
Tandem Flange version

Plastic cage	Stainless steel cage	Ød	ØD	L	ØDf	T	ØDP	X	Y	Z	Number of ball circuits
BBERS8L	BBERS8LA	8	16	46	32	5	24,0	3,5	6,0	3,1	4
BBERS12L	BBERS12LA	12	22	61	42	6	32,0	4,5	7,5	4,1	4
BBERS16L	BBERS16LA	16	26	68	46	6	36,0	4,5	7,5	4,1	4
BBERS20L	BBERS20LA	20	32	80	54	8	43,0	5,5	9,0	5,1	5
BBERS25L	BBERS25LA	25	40	112	62	8	51,0	5,5	9,0	5,1	6
BBERS30L	BBERS30LA	30	47	123	76	10	62,0	6,6	11,0	6,1	6
BBERS40L	BBERS40LA	40	62	151	98	13	80,0	9,0	14,0	8,1	6
BBERS50L	BBERS50LA	50	75	192	112	13	94,0	9,0	14,0	8,1	6
BBERS60L	BBERS60LA	60	90	209	134	18	112,0	11,0	17,0	11,1	6



Tandem Middle Flange version

Plastic cage	Stainless steel cage	Ød	ØD	L	ØDf	T	ØDP	X	Y	Z	Number of ball circuits
BBERMS8	BBERMS8A	8	16	46	32	5	24	3,5	6,0	3,1	4
BBERMS12	BBERMS12A	12	22	61	42	6	32	4,5	7,5	4,1	4
BBERMS16	BBERMS16A	16	26	68	46	6	36	4,5	7,5	4,1	4
BBERMS20	BBERMS20A	20	32	80	54	8	43	5,5	9,0	5,1	5
BBERMS25	BBERMS25A	25	40	112	62	8	51	5,5	9,0	5,1	6
BBERMS30	BBERMS30A	30	47	123	76	10	62	6,6	11,0	6,1	6
BBERMS40	BBERMS40A	40	62	151	98	13	80	9,0	14,0	8,1	6
BBERMS50	BBERMS50A	50	75	192	112	13	94	9,0	14,0	8,1	6
BBERMS60	BBERMS60A	60	90	209	134	18	112	11,0	17,0	11,1	6



LUBRICATION SOLUTIONS

Lubrication solutions

55% of premature bearing failures stem from inadequate lubrication. NTN offers a wide range of solutions to meet your application requirements.

SNR POLIPUMP multipoint control unit

page 86

SNR READY / SMART / DRIVE BOOSTER Single-point lubricators

page 87

SNR Food lubricants

page 88



POLIPUMP lubrication solutions

Centralised lubrication

The POLIPUMP multipoint lubrication system increases equipment availability while reducing maintenance costs.

Technical specifications

Outlets

3 possible configurations

- 1 to 12 outlets
- 1 to 24 outlets
- 1 to 35 outlets

Power

- 12VDC or 24VDC

12 timer settings

Including a pipe priming programme (2cy/min)

6 nozzle sizes

from 0.02cc to 0.13cc

2 litre tank capacity

Compatible grease grades

- Grade NLGI00 to NLGI2*

IP65 protection

Operating temperature

-10°C to +60°C


Max. pressure

80 bar (for up to 12 outlets)
50 bar (for up to 24 outlets)
30 bar (for up to 35 outlets)

Benefits

- Various grease grades available (NLGI00 to NLGI2)
- Possibility of lubricating up to 35 points with the grease of your choice up to a distance of 20 meters (please enquire).
- Maintains constant flow, irrespective of ambient temperature
- Eco-responsible, the POLIPUMP is ready to use and environmentally friendly, making it easy to refill your pump while reducing waste.
- No more manual point-by-point re-greasing

Designation and product references

Type	Reference	Number of outlets
 Polipump standard Can be used for industrial applications	12 VDC	
	POLIPUMP-2KG-12 PUM-12VDC-IND._0888270	12
	POLIPUMP-2KG-24 PUM-12VDC-IND._0888271	24
	POLIPUMP-2KG-35 PUM-12VDC-IND._0888272	35
	24 VDC	
	POLIPUMP-2KG-12 PUM-24VDC-IND._0888273	12
POLIPUMP-2KG-24 PUM-24VDC-IND._0888274	24	
POLIPUMP-2KG-35 PUM-24VDC-IND._0888275	35	

READY / SMART / DRIVE BOOSTER lubrication solutions

Single-point lubricators

Thanks to their constant, even lubrication of the bearings, single-point lubricators can be used to optimise relubrication without any modification to the existing assembly. Available with FOOD grease and FOOD CHAIN OIL.

READY BOOSTER

- Flexible, cost-effective model
- For humid environments, exposed to corrosion or requiring enhanced standards of hygiene
- 60 cm³ and 125 cm³ capacity



DRIVE BOOSTER

- Top-of-the-range model for every situation
- Constant flow, installation up to 5 meters from lubrication point
- 120 cm³ and 250 cm³ capacity

SMART BOOSTER

- Continuous flow, regardless of ambient temperature
- For applications with temperature fluctuations
- 125 cm³






Practical advice:

Use of brushes or paintbrush for better lubrication

Use of all stainless steel support kit



Designation and product references

Lubricator and refill	Reference	Capacity	Lubricant	
			Food	Food chain oil
 Ready	Luber ready 60 food/food chain oil	60 cc	X	X
	Luber ready food/food chain oil	125 cc	X	X
 Smart	Luber smart 125 food	125 cc	X	
 Refill	Luber smart refill 125 food	125 cc	X	
 Drive	Luber drive kit 60 food/food chain oil	60 cc	X	X
	Luber drive kit 120 food/food chain oil	120 cc	X	X
	Luber drive kit 250 food/food chain oil	250 cc	X	X
	Luber drive kit 500 food/food chain oil	500 cc	X	X
 Refill	Luber drive refill 60 food/food chain oil	60 cc	X	X
	Luber drive refill 120 food/food chain oil	120 cc	X	X
	Luber drive refill 250 food/food chain oil	250 cc	X	X
	Luber drive refill 500 food/food chain oil	500 cc	X	X

* For silicone-based greases, please consult us.

Lubrication solutions

Food lubricants

Whether in cartridges or containers, SNR's range of food processing lubricants offers a wide range of lubrication solutions.



FOOD AL (-25°C to 120°C)

Grease for all applications where accidental contact with food items is possible.

Benefits

- Enhanced corrosion protection
- Highly resistant to hot and cold water washing
- Resilience against disinfectant and detergent solutions
- NSF H1 and Halal-certified grease



ULTRA HIGH TEMPERATURE (up to 260°C)

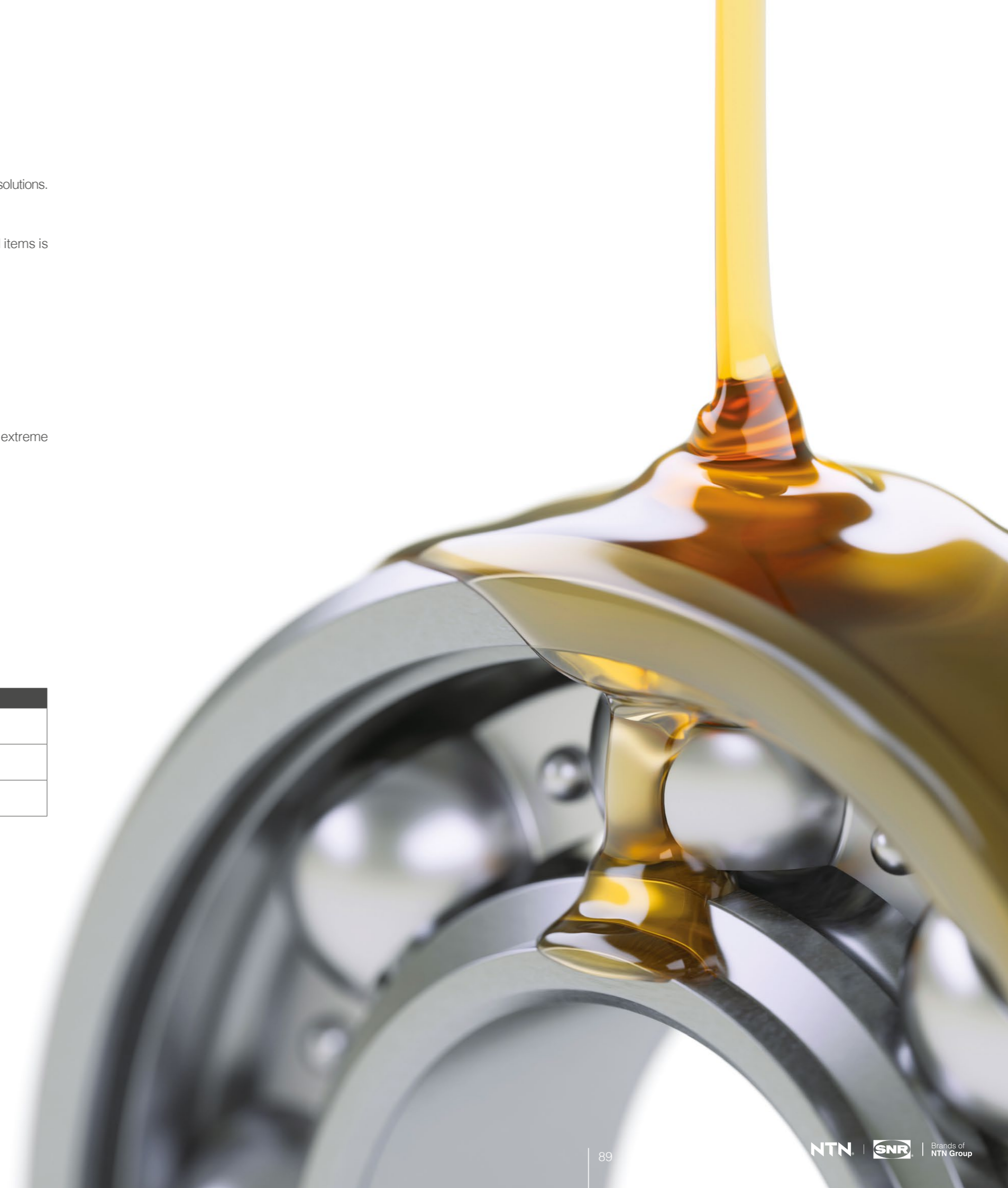
Grease for long-term lubrication of all bearing types operating at extreme temperatures.

Benefits

- Good pressure absorption capacity
- Excellent resistance to aggressive substances
- Compatible with most plastics
- NSF H1-certified grease

Designation and product references

Lubricant	Reference	Quantity
 Food AL	lub food AL grease / C400G	400 g cartridge
	lub food AL grease / B1Kg	1 Kg container
 Ultra high temperature	temp grease / 800G	800 g



NTN

Make the world **NAMERAKA**



DOC_L_FOOD_CAT2_A4_GB+ - Document non contractuel - NTN Europe copyright international - 03/24 - Photos: NTN Europe - Pedro Studio Photos, Shutterstock

This document is the exclusive property of NTN Europe. Any total or partial reproduction hereof without the prior consent of NTN Europe is strictly prohibited. Legal action may be brought against anyone breaching the terms of this paragraph. NTN Europe shall not be held liable for any errors or omissions that may have crept into this document despite the care taken in drafting it. Due to our policy of continuous research and development, we reserve the right to make changes without notice to all or part of the products and specifications mentioned in this document.
© NTN Europe, international copyright 2024.

NTN Europe - 1 rue des Usines - 74000 Annecy
RCS ANNECY B 325 821 072 - Code APE 2815Z - Code NACE 28.15
www.ntn-europe.com

NTN | **SNR** | **BCA** BEARINGS | **BOWER** | Brands of **NTN Group**